

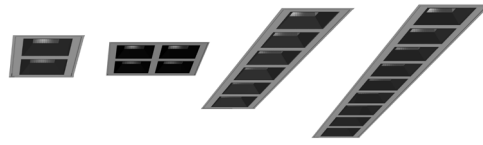
Date: _____ Customer: _____

Project: _____

Type: _____ Qty: _____



Piix™ MRC Arrays Multi-Cell LED Recessed



LED/Trim Order Code: PA-R - - - - -

Housing Order Code: PA-H - - - - -

Remote Driver Code: PA-RD - - - - -

LED/Trim Order Code:

PA-R	Series	PA-R Piix™ MRC Arrays LED/Trim				
	Nominal Fixture Size	02* Two Cells Nominal 2"x4"	04* Four Cells Linear Nominal 2"x8"	06* Six Cells Nominal 2"x12"	09* Nine Cells Linear Nominal 2"x18"	22* Four Cells Square Nominal 4"x4"
	Light Engine	35G1 332lm/3.5W per cell	18G1 192lm/1.8W per cell	* Values calculated from a 35G1 03-cell with 3500K, 35° reflector, no lens, Black baffle and DIM driver.		
	CCT	927 2700K	930 3000K	935 3500K	940 4000K	
	Optics	10 10° Very Narrow (beam angle 20°)	20 20° Narrow (beam angle 40°)	35 35° Medium (beam angle 70°)	50 50° Wide (beam angle 100°)	
	Secondary Optics	CL Clear Lens (defined edge)	DF 30% Diffuse Lens (soft edge)	LF 5% Lightly Diffuse Lens (soft edge)	HX Hexcell Louver	XX No Secondary Optics (defined edge)
	Baffle Finish	PW Matte White	PB Matte Black			
	Trim Finish	WH White	BL Semi-Matte Black	SV Silver	SP Specify Premium Color	* Custom colors are available, please consult factory.
	Mounting	RL New Construction Spackle Flange up to 1" ceiling thickness	RM New Construction Flangeless up to 3/4" ceiling thickness	RF New Construction Flanged up to 1" ceiling thickness	* See page 3 for full details.	

Housing Order Code:

PA-H	Series	PA-H Piix™ MRC Arrays Housing				
	Nominal Fixture Size	02* Two Cells Nominal 2"x4"	04* Four Cells Linear Nominal 2"x8"	06* Six Cells Nominal 2"x12"	09* Nine Cells Linear Nominal 2"x18"	22* Four Cells Square Nominal 4"x4"
	Mounting	RL New Construction Spackle Flange up to 1" ceiling thickness	RM New Construction Flangeless up to 3/4" ceiling thickness	RF New Construction Flanged up to 1" ceiling thickness	* See pages 3 for full details.	
	Mounting Accessories	C1 Adjustable C-Channel Bars 14"-24"	C2 Adjustable C-Channel Bars 25"-36"	C3 Adjustable C-Channel Bars 37"-48"	* Adjustable C-Channel bars and Butterfly Brackets provided standard. Please specify span length required. See page 12 for full details.	

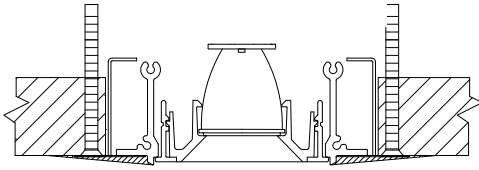




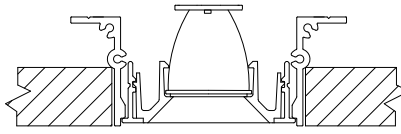
Remote Driver Order Code:

PA-RD	Series	PA-RD Piix™ MRC Arrays Remote Driver (non-IC Rated)				
	Nominal Fixture Size	02* Two Cells Nominal 2"x4"	04* Four Cells Linear Nominal 2"x8"	06* Six Cells Nominal 2"x12"	09* Nine Cells Linear Nominal 2"x18"	22* Four Cells Square Nominal 4"x4"
	Quantity of Arrays	Q# Quantity of Arrays wired to a single driver. Replace # with quantity.				*See page 4 for driver chart quantity details.
	Light Engine	35G1 352lm/3.5W per cell	18G1 192lm/1.8W per cell	*Values calculated from a 35G1 03-cell with 3500K, 35° reflector, no lens, Black baffle and DIM driver.		
	Remote Driver	DIM¹ 0-10V 1% (Linear)	D01¹ eldoLED 0.1% SOLOdrive 0-10V (Linear)	DED¹ eldoLED 1% ECOdrive DALI-2 (Logarithmic)	DE1¹ Lutron 1% EcoSystem	*See page 13 for details.
	Voltage	1 120V	2 277V	U 120V through 277V 50/60Hz	3 347 Volt (consult factory)	
	Emergency Options	EC¹ Emergency Circuit Wiring	EM^{1,2} Remote EM Battery (5W) UNV (non-IC Rated)	EMR Remote Micro Inverter (50W) 120V or 277V only (consult factory)	*See page 15 for details. ² EM battery is 5W. For other wattage options, please consult factory.	
	Mounting Accessories	C1 Adjustable C-Channel Bars 14" - 24"	C2 Adjustable C-Channel Bars 25" - 36"	C3 Adjustable C-Channel Bars 37" - 48"	BB Butterfly Brackets for Mounting Remote Driver	*Multiple remote driver box mounting options available. Order as an additional accessory. See page 12 for full details.

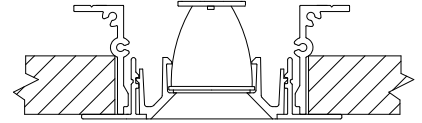
Spackle Flange (RL) Detail



Millwork (RM) Detail



Flanged (RF) Detail



Construction:

Housing - Collar, faceplate, and trim flanges are low-copper 6063 T6 extruded aluminum and are attached to 20 gauge galvanized steel housing.

Ceiling Cutouts - Cutouts will vary by mounting. See pages 6-7 for full details.

Baffles - Injection-molded nylon material with 51° angled inside edge to cut off high angle glare with a matte Black or White finish.

Reflectors - Precision-designed, injection-molded polycarbonate material for accurate distributions and powerful lighting effects. Four different distributions available - 10° Very Narrow (20° beam angle), 20° Narrow (40° beam angle), 35° Medium (70° beam angle), or 50° Wide (100° beam angle).

Secondary Optics - Clear (CL), Diffuse (DF), or Lightly Diffuse (LF) lenses, or Hexcell Louvers (HX) are located above the baffle. Optics are not field changeable, and cannot be combined within the same cell.

Mounting(s) - All recessed housings are intended for new construction. New Construction Spackle Flange (RL), New Construction Flangeless Millwork (RM), and New Construction Flanged (RF). See pages 6-10 for details.

Weight -

Housing & LED/Trim	Weight
22-Cell	6 lbs 8 oz
02-Cell	4 lbs
03-Cell	4 lbs 8 oz
04-Cell	5 lbs
06-Cell	6 lbs 8 oz
09-Cell	7 lbs

Electrical/Performance:

LED Light Engine - Brand-name mid-power LEDs create a high efficiency LED light engine with a reported luminous flux maintenance at 50,000 hours is 89% based on LM-80 test reports. The rated lumen maintenance life of L80 (10K) > 55,000 hours. Luminous flux values calculated in accordance to IES TM-21 procedures based on ANSI/IES LM-80 compliant model numbers, please consult factory. With each configuration and varying quantity of LEDs, and the heat produced by each configuration, the TM-21 lifetime calculation will be slightly different. The above TM-21 Lifetime calculation is based on a 9-Cell linear. For TM-21 calculation for each variant, please consult factory.

Photometrics - Consult website or factory for IES files. Photometric lumen measurements comply with IES IM-79-08 testing procedures. Due to the LED manufacturer's tolerances, the listed output has a ±5% tolerance. For outputs based on different optics or CCT, please see pages 16-18 for details.

Drivers - All drivers are high efficient, constant current, soft start, electronic class 2 with a PFC>0.90. All remote drivers are supplied with a UL listed box, and are intended to be mounted in an accessible location Remote Driver Box is non-IC Rated. See page 13 for details.

CCT and CRI - Available in 2700K, 3000K, 3500K and 4000K at 90+ CRI, tolerance within a 3 step MacAdam ellipse.

Emergency - There are multiple emergency options available - Emergency Circuit, Remote Micro Inverter, and Remote EM Battery Pack. See page 15 for details.

Thermal Performance:

Ambient Operating Temperature - Luminaires are suitable for maximum ambient temperature of 35°C (95°F) for all drivers.

Luminaires are suitable for minimum ambient temperatures of -40°C (-40°F) for remote DIM driver, -10°C (14°F) for integral DIM driver, -40°C (-40°F) for D01, and DED drivers, -0°C (32°F) for DC2 and DE1 drivers.

Sensors - Please note sensors are not integral for Piix™ MRC Arrays and are by others.

Luminaire Finish:

Powder Coat - All Selux luminaires are finished in high quality polyester powder coating in our Tiger Drylac certified facility and are tested in accordance with test specifications for coatings from ASTM and PCI.

All products undergo a five stage intensive pretreatment process where product is thoroughly cleaned, phosphated, and sealed. Selux powder coated products provide excellent salt and humidity resistance as well as ultra violet resistance for color retention.

Standard colors for Piix™ MRC are White (WH), Semi-Matte Black (BL), and Silver (SV). Selux premium colors (SP) are available, please specify from your Selux color selection guide.

Warranty:

5 Year Limited LED Luminaire Warranty - Selux offers a 5 Year Limited Warranty to the original purchaser that the Piix™ MRC luminaire shall be free from defects in material and workmanship for up to five (5) years from date of shipment. This limited warranty covers the LED driver and LED light engine when installed according to Selux instructions and operated within the Ambient Temperature. For additional details and exclusions, see "Selux Terms and Condition of Sale."

Certifications and Compliance:

- NRTL - For dry locations (i.e. cULus, cCSAus)
- NRTL - For damp locations with the clear or diffuse secondary optics
- NRTL - All fixtures IC rated, suitable for direct contact with insulation - Remote Driver Box and EM are non-IC Rated
- ARRA Compliant
- ADA Compliant
- RoHS Compliant

Remote Driver (PA-RD) - Quantity of fixtures per driver available, and maximum distance of driver to fixture.

1. Maximum remote distance based on 18 gauge wire. For extended distances different wire gauges can be used. Please consult factory.
2. All wire lengths should be consistent regardless of actual distance to ensure even illumination of all fixtures connected to a single driver.
3. Selux recommends the use of shielded wires (supplied by others).

Cell Size	LED Engine	Q# Fixture Quantity	DIM, DIL, D01, DL01, DED	Max Remote Mounting Distance	DE1	Max Remote Mounting Distance	
02	18G1	1	√	50 ft	√	30 ft	
		2	√	50 ft	√	30 ft	
		3	√	50 ft	√	30 ft	
		4	√	50 ft	√	30 ft	
		5	√	50 ft	√	15 ft	
		6	√	50 ft	√	30 ft	
	35G1	1	√	50 ft	N/A	30 ft	
		2	√	50 ft	√	30 ft	
		3	√	50 ft	√	30 ft	
		4	√	50 ft	√	30 ft	
03	18G1	1	√	50 ft	N/A	30 ft	
		2	√	50 ft	√	30 ft	
		3	√	50 ft	N/A	15 ft	
		4	√	50 ft	√	15 ft	
		6	√	50 ft	√	15 ft	
	35G1	1	√	50 ft	√	15 ft	
		2	√	50 ft	√	15 ft	
		3	√	50 ft	√	15 ft	
		4	√	50 ft	N/A	N/A	
	04 22	18G1	1	√	50 ft	√	30 ft
2			√	50 ft	√	30 ft	
3			√	50 ft	√	15 ft	
4			√	50 ft	√	30 ft	
6			√	50 ft	N/A	N/A	
35G1		1	√	50 ft	√	30 ft	
		2	√	50 ft	√	30 ft	
06		18G1	1	√	50 ft	√	30 ft
			2	√	50 ft	√	30 ft
			3	√	50 ft	√	15 ft
	4		√	50 ft	N/A	N/A	
	35G1	1	√	50 ft	√	15 ft	
		2	√	50 ft	N/A	N/A	
09	18G1	1	√	50 ft	√	30 ft	
		2	√	50 ft	√	15 ft	
	35G1	1	√	50 ft	√	15 ft	

Note: For inrush and control current, please refer to driver manufacturer spec sheet.

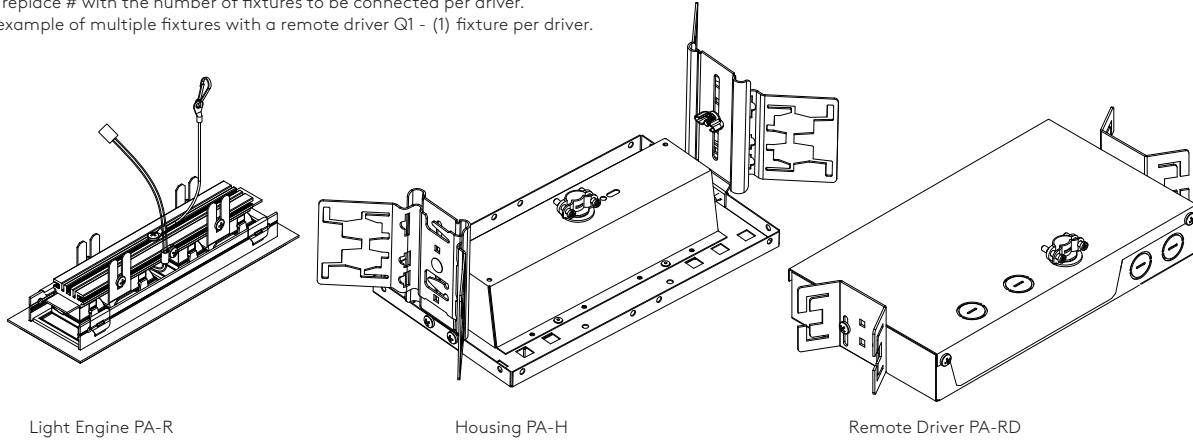
*Maximum remote distance based on 18 gauge wire.

Remote Driver Order Guide

For remote driver single fixture specify three sections

- 1 - LED/Trim Section
- 2 - Housing Section
- 3 - Remote Driver

Enter Q and replace # with the number of fixtures to be connected per driver.
Below is an example of multiple fixtures with a remote driver Q1 - (1) fixture per driver.



Light Engine PA-R

Housing PA-H

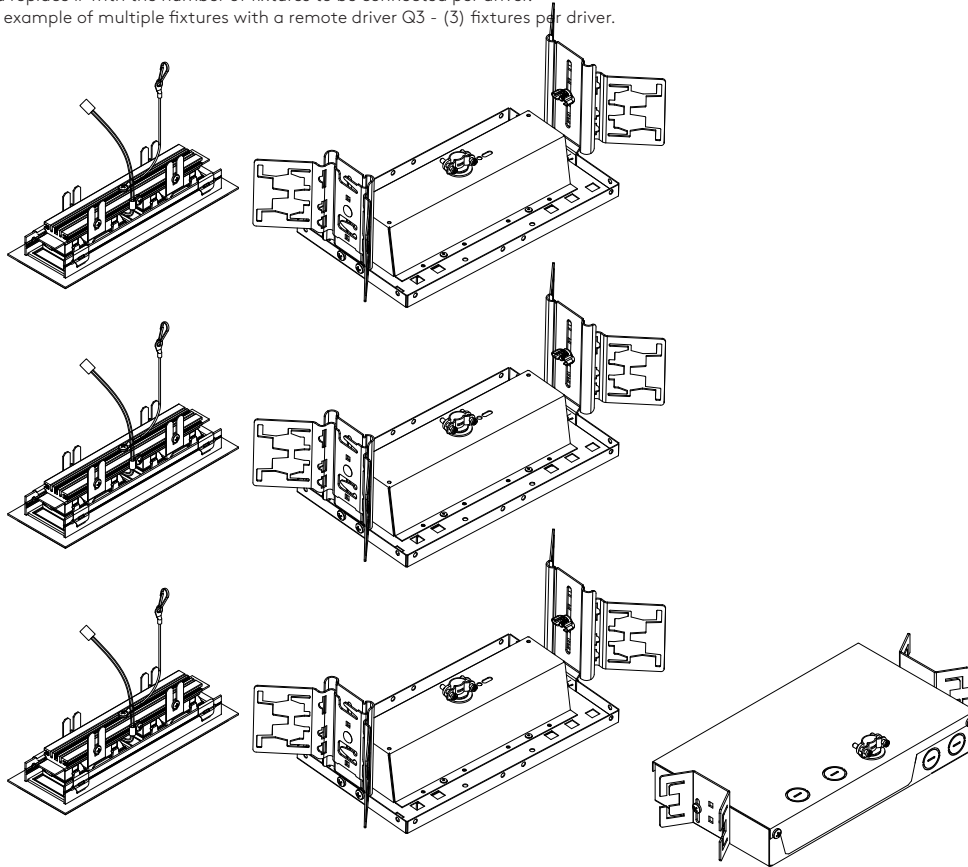
Remote Driver PA-RD

For remote driver - multiple fixtures, specify three sections

See driver table on page 4 for max quantities (Q#). Multiple fixtures on a single driver must have the same cell quantities.

- 1 - LED/Trim Section
- 2 - Housing Section
- 3 - Remote Driver

Enter Q and replace # with the number of fixtures to be connected per driver.
Below is an example of multiple fixtures with a remote driver Q3 - (3) fixtures per driver.



Light Engine PA-R

Housing PA-H

Remote Driver PA-RD

NOTES:

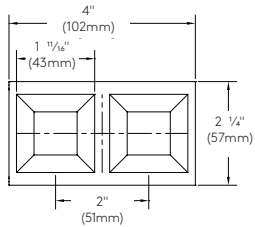
- 1. All wiring between remote fixtures and driver box are by others.
- 2. All wiring must be 18 gauge, foil-shielded, plenum rated (CMP) type.
- 3. Maximum distance between fixtures and drivers noted on page 4.
- 4. All wiring between fixture and driver must be equal lengths.
- 5. Remote driver box must be accessible after installation.
- 6. Remote driver box not suitable for direct contact with insulation.
- 7. Emergency Battery (EM) and Emergency Micro Inverter (EMR) are always remote.

Nominal Fixture Sizes

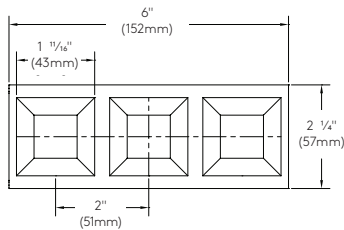
Spackle Flange (RL) Dimensions and Millwork (RM) Dimensions

Note: (RL) up to 1" ceiling thickness
(RM) up to 3/4" ceiling thickness

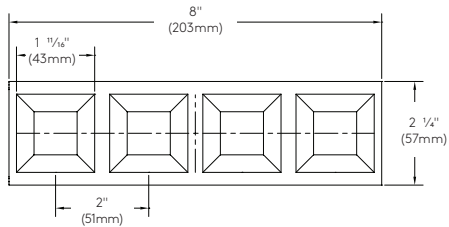
PA-R-02-RL
PA-R-02-RM
(2-cell)



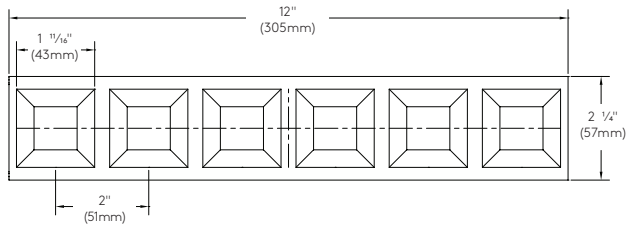
PA-R-03-RL
PA-R-03-RM
(3-cell)



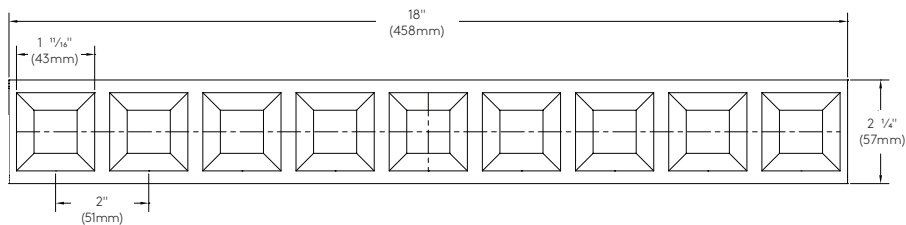
PA-R-04-RL
PA-R-04-RM
(4-cell linear)



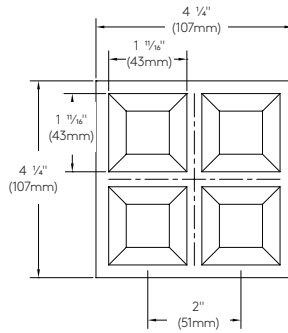
PA-R-06-RL
PA-R-06-RM
(6-cell)



PA-R-09-RL
PA-R-09-RM
(9-cell linear)

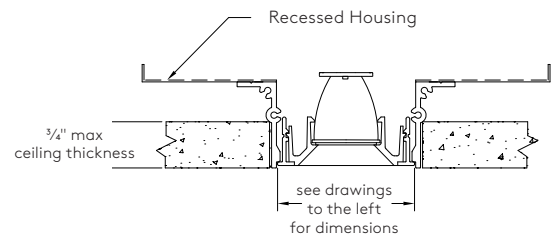


PA-R-22-RL
PA-R-22-RM
(4-cell square)

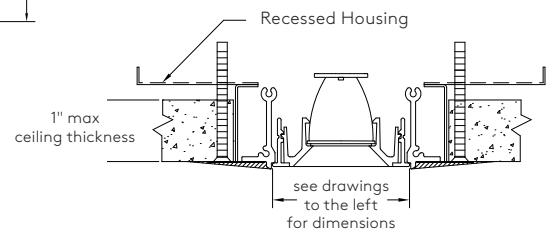


Ceiling Cutouts Piix™ Arrays Recessed (RM and RL)				
Trim Type	Millwork (RM)		Spackle Flange (RL)	
Size/Units	Inches	MM	Inches	MM
02	2 7/8" x 4 3/8"	61.9 x 106.4	3 1/2" x 5 3/8"	88.9 x 36.5
03	2 7/8" x 6 3/8"	61.9 x 157.2	3 1/2" x 7 3/8"	88.9 x 187.3
04	2 7/8" x 8 3/8"	61.9 x 208	3 1/2" x 9 3/8"	88.9 x 238.1
06	2 7/8" x 12 3/8"	61.9 x 309.6	3 1/2" x 13 3/8"	88.9 x 339.7
09	2 7/8" x 18 3/8"	61.9 x 462	3 1/2" x 19 3/8"	88.9 x 492.1
22	4 3/8" x 4 7/8"	111.1 x 112.7	5 1/2" x 5 3/8"	139.7 x 136.5

Millwork (RM) Detail

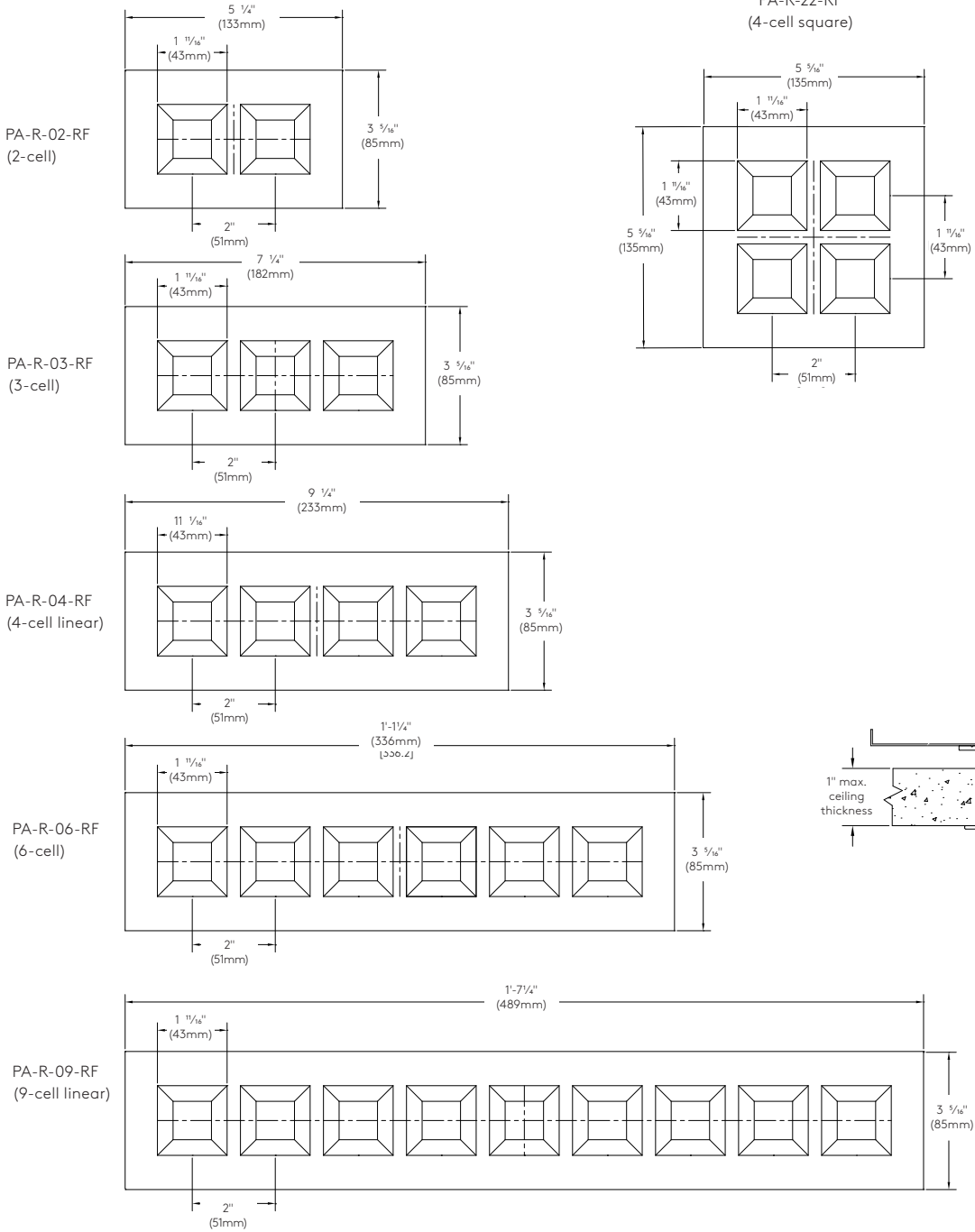


Spackle Flange (RL) Detail



Overlapping Flange (RF) Dimensions

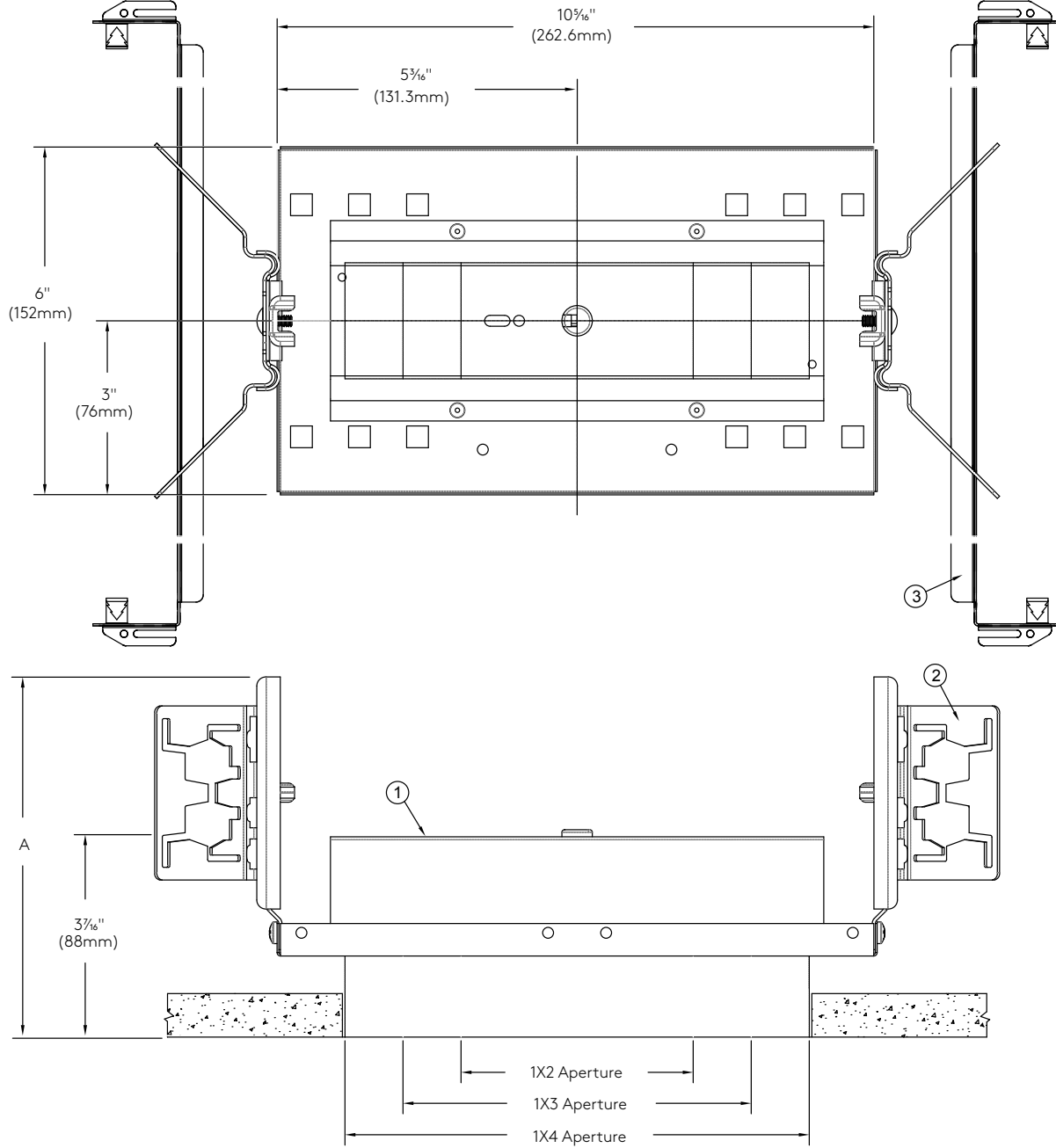
Note: (RF) up to 1" ceiling thickness



Ceiling Cutouts Piix™ Arrays Recessed (RF)		
TRIM TYPE	FLANGED (RF)	
Size/Units	Inches	MM
02	2 5/8" x 4 3/16"	66.6 x 106.4
03	2 5/8" x 6 3/16"	66.6 x 157.2
04	2 5/8" x 8 3/16"	66.6 x 208
06	2 5/8" x 12 3/16"	66.6 x 309.6
09	2 5/8" x 18 3/16"	66.6 x 462
22	4 3/8" x 4 7/16"	117.4 x 112.7

2-, 3- and 4-Cell Housing Dimensions (PA-H-02/03/04)

Recessed housing to be installed before ceiling is closed. Below details are for housings and mounting details only. See page 11 for remote driver dimensions.



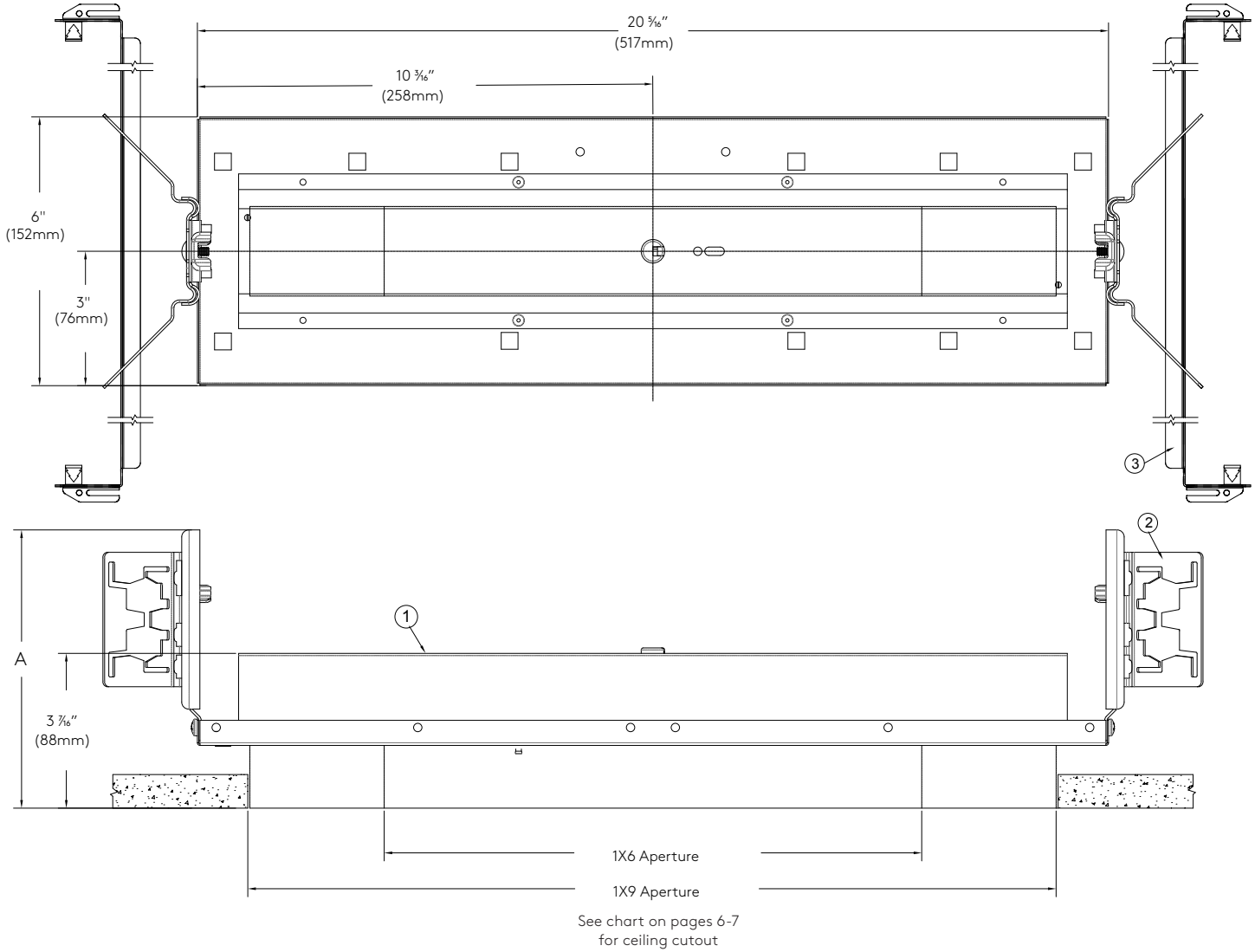
See chart on pages 6-7
for ceiling cutout

- 1 - Housing
- 2 - Butterfly Brackets
- 3 - Adjustable C-Channel bars / Nailers bars

Mounting	Overall Depth 'A'
Spackle Flange (RL)	6 3/16" (157mm)
Millwork (RM)	6" (152mm)
Flanged (RF)	6" (152mm)

6- and 9-Cell Housing Dimensions (PA-H-06/09)

Recessed housing to be installed before ceiling is closed. Below details are for housings and mounting details only. See page 11 for remote driver dimensions.

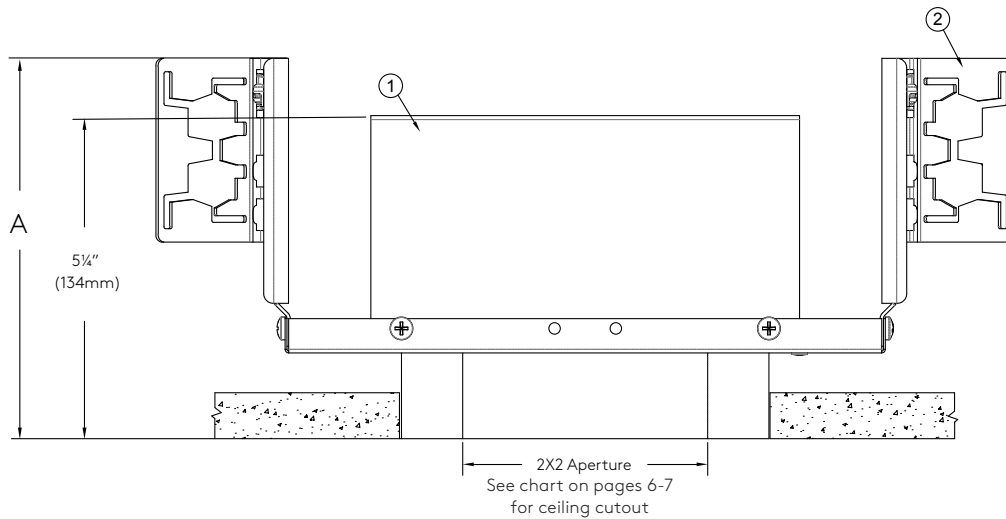
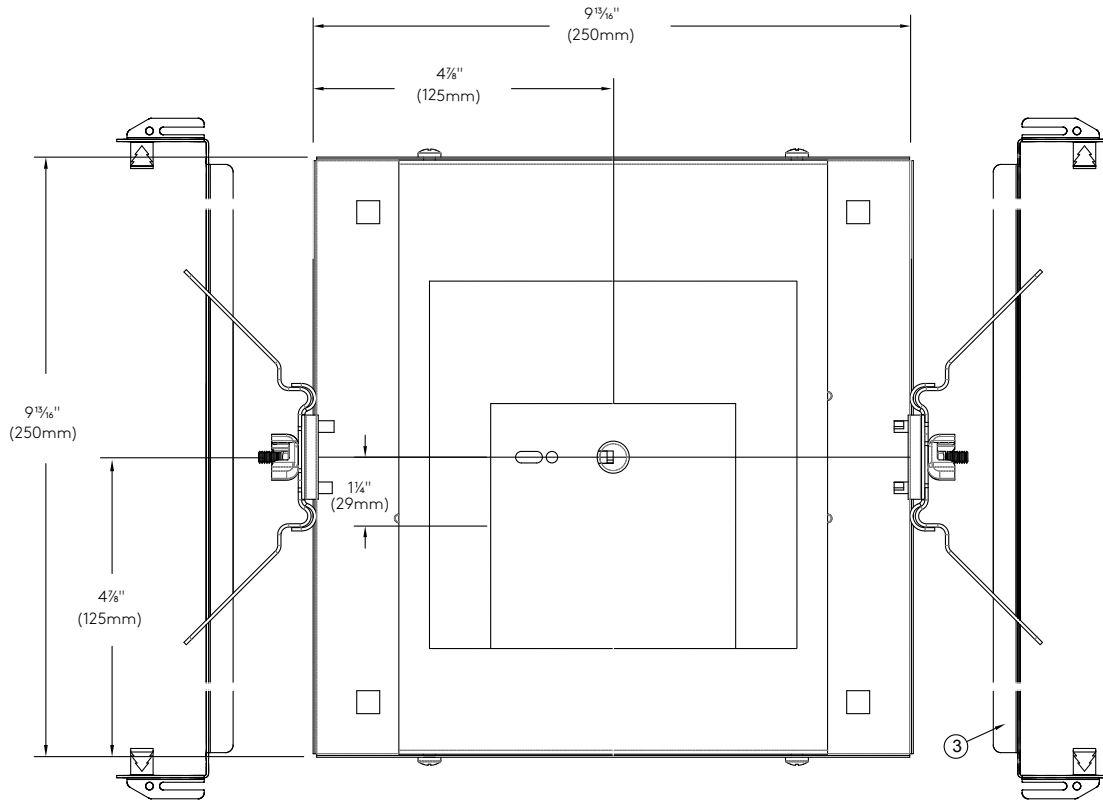


- 1 - Housing
- 2 - Butterfly Brackets
- 3 - Adjustable C-Channel bars / Nailers

Mounting	Overall Depth 'A'
Spackle Flange (RL)	6 3/16" (157mm)
Millwork (RM)	6" (152mm)
Flanged (RF)	6" (152mm)

2x2-Cell Housing Dimensions (PA-H-22)

Recessed housing to be installed before ceiling is closed.
Below details are for housings and mounting details only.
See page 11 for remote driver dimensions.



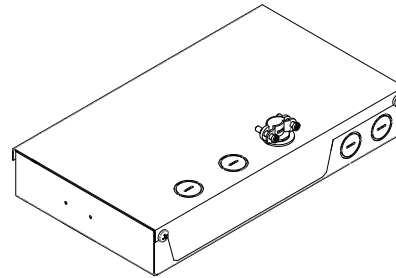
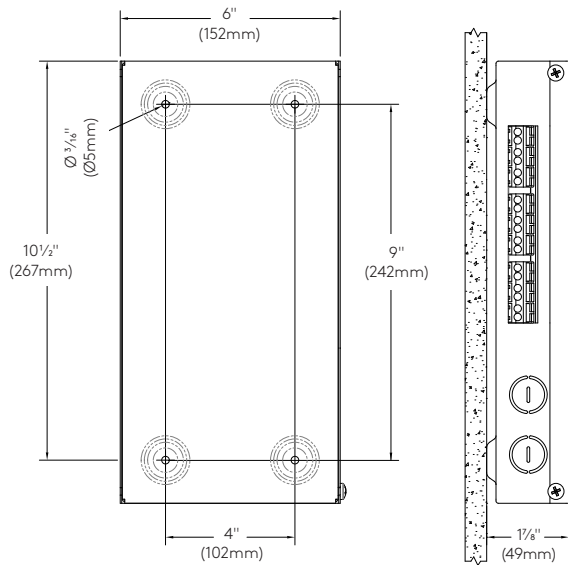
- 1 - Housing
- 2 - Butterfly Brackets
- 3 - Adjustable C-Channel bars / Nailers bars

Mounting	Overall Depth 'A'
Spackle Flange (RL)	6 3/16" (157mm)
Millwork (RM)	6" (152mm)
Flanged (RF)	6" (152mm)

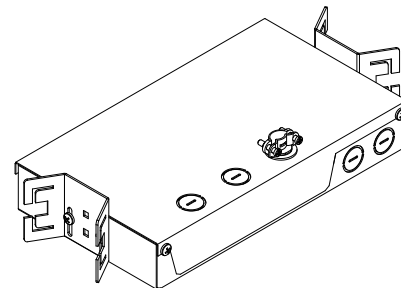
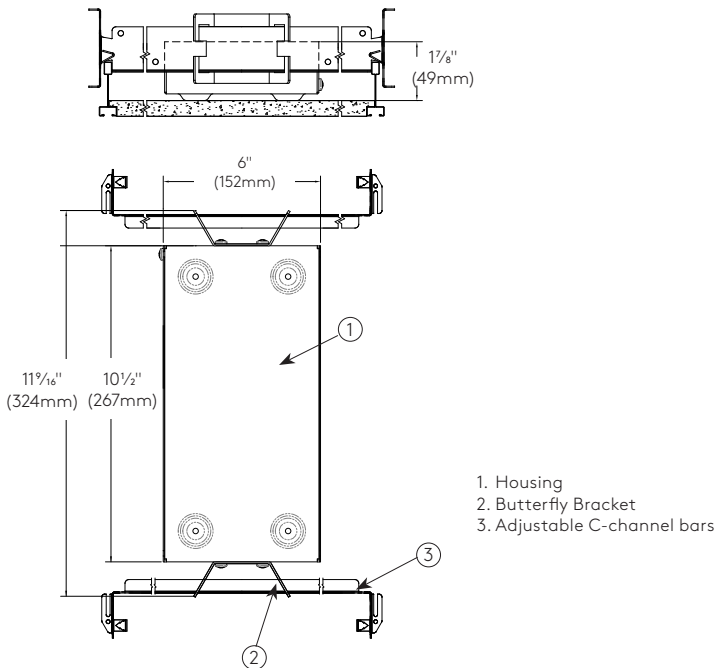
Remote Driver (PA-RD) - mounting options

Nominal Weight 2 lbs.

Remote Driver Box Wall mounted



Remote Driver Box with optional Butterfly Brackets and C-channel bars in a Grid Ceiling (BB, C1, C2, C3)



Notes:

1. See installation instructions and marking on remote driver box for wiring remote fixtures.
2. Adjustable C-channel bars can also be used as Nailers bars.
3. Butterfly Bracket and C-channel bars are optional and must be ordered as an accessory. See page 12 for more details.

Adjustable C-Channel and Butterfly Bracket Details

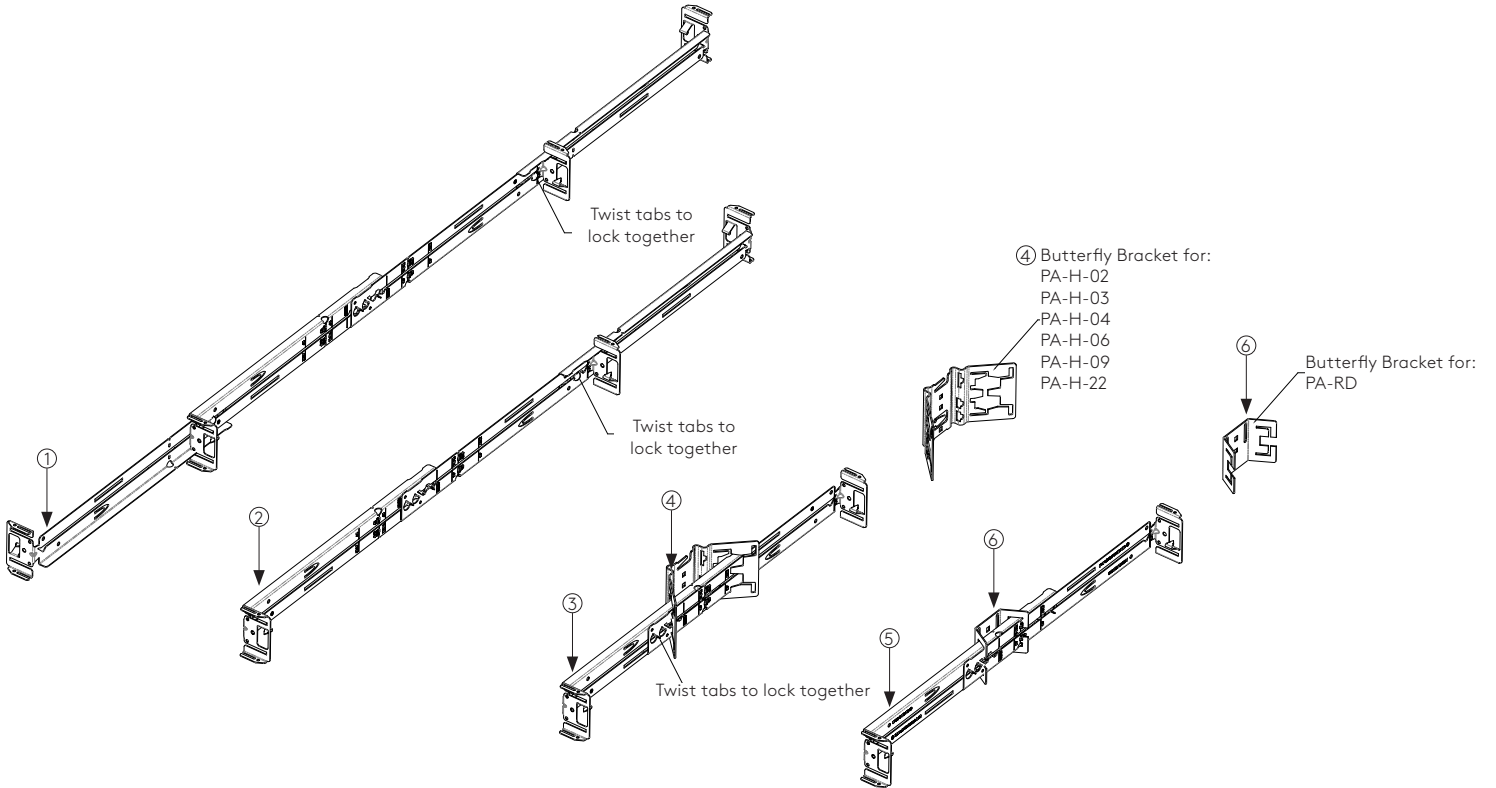
C-Channel Bars and Butterfly Brackets supplied standard with housing

- 1-(C3) Adjustable C-Channel bars 37"-48"
- 2-(C2) Adjustable C-Channel bars 25"-36"
- 3-(C1) C-Channel bars/Nailer bars for 14"-24"
- 4-Butterfly Brackets for mounting recessed housing

Ordered as an accessory with Remote Driver

- 5-(C1) C-Channel bars/Nailer bars for 14"-24"
- 6-(BB) Butterfly Bracket for mounting remote driver box

Note: Adjustable C-Channel bars can also be used as Nailer Bars



Drivers:

0-10V linear dimming (DIM)

Luminaires supplied with drivers offering the capability of either normal switched operation, or 0-10V dimming with linear dimming curve. Fixtures ship wired for dimming. For on/off functionality, simply cap the dimming leads. Minimum dimming level preset at factory to 1%.

eldoLED ECOdrive DALI-2 dimming (DED)

Luminaires supplied with ECOdrive DALI-2 dimming driver with logarithmic dimming curve. Minimum dimming level preset at factory to 1%. For “dim to dark” (down to 0.1%), please consult factory.

eldoLED SOLOdrive 0-10V linear dimming (D01)

Luminaires supplied with SOLOdrive 0-10V dimming driver with linear dimming curve. Minimum dimming level preset at factory to 0.1% and “dim to dark”.

LUTRON EcoSystem dimming (DE1)

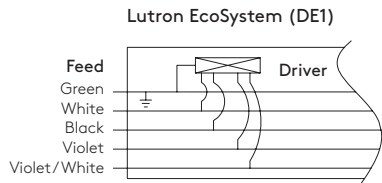
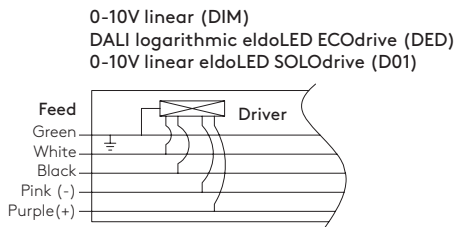
Luminaires supplied with Hi-Lume EcoSystem (4 wire, digital link) dimming driver programmed for Constant Current Reduction (CCR). Minimum dimming level down to 1% with SoftOn/FadeToBlack.

*For control recommendations, please contact driver manufacturer.

*See driver chart table on page 4 for driver quantities.

*Consult factory for lead time.

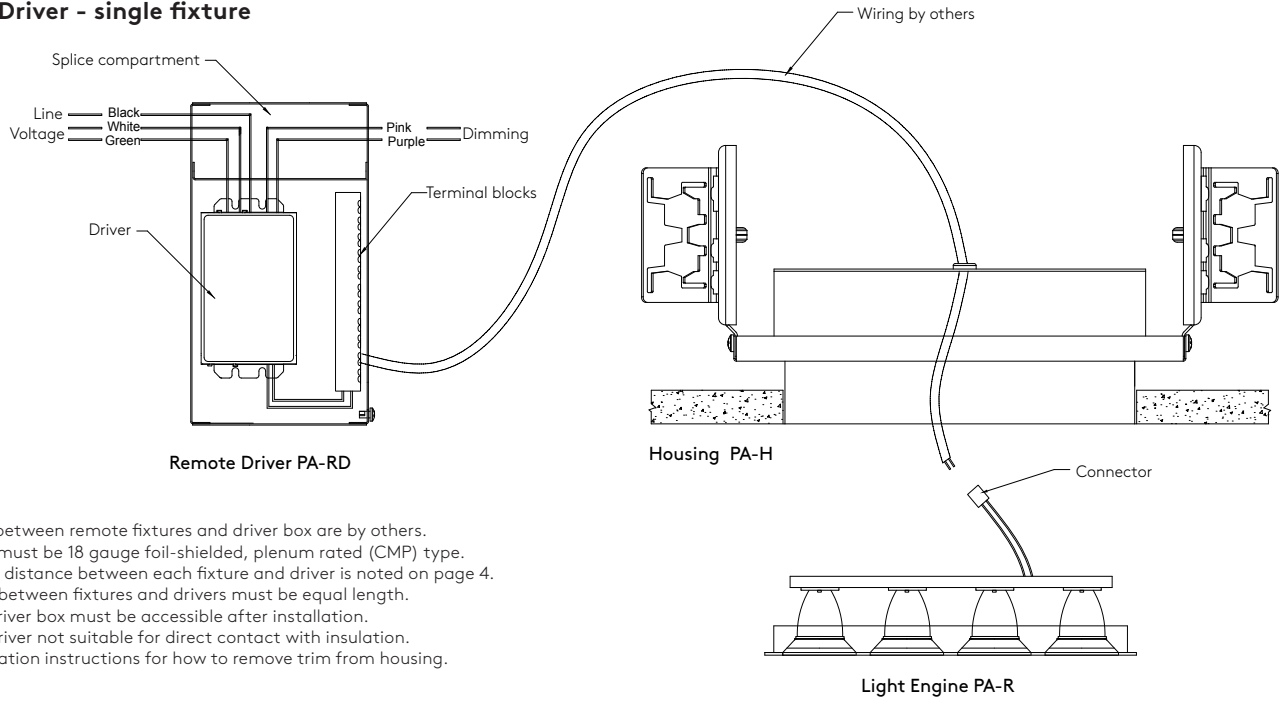
Wiring Diagrams



Standard Wiring supplied for all drivers	Green = Ground White = Neutral Black = Hot
- The following wire(s) are in addition to the standard above -	
DIM, DED, D01	Pink = (-) DALI or 0-10V Dimming Control Purple = (+) DALI or 0-10V Dimming Control
DE1	Violet = "E1" Digital Link Dimming Control Violet/White = "E2" Digital Link Dimming Control

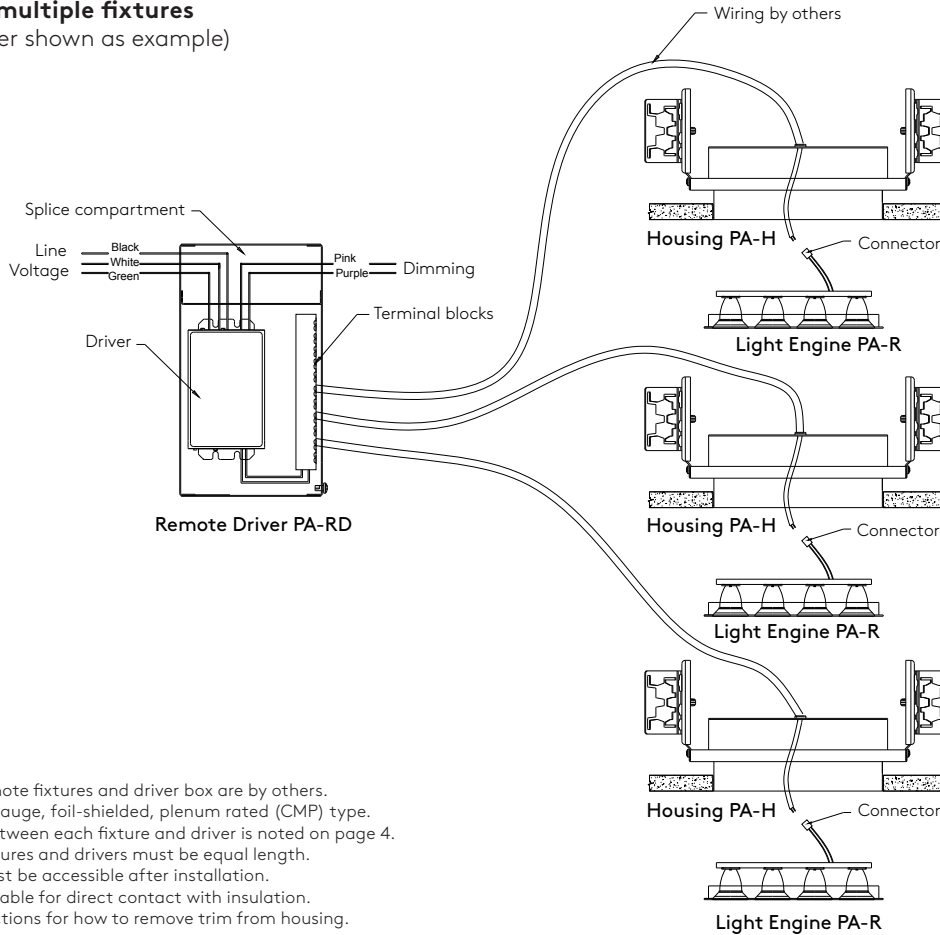
Typical Wiring - Please note wiring diagrams are typical.

Remote Driver - single fixture



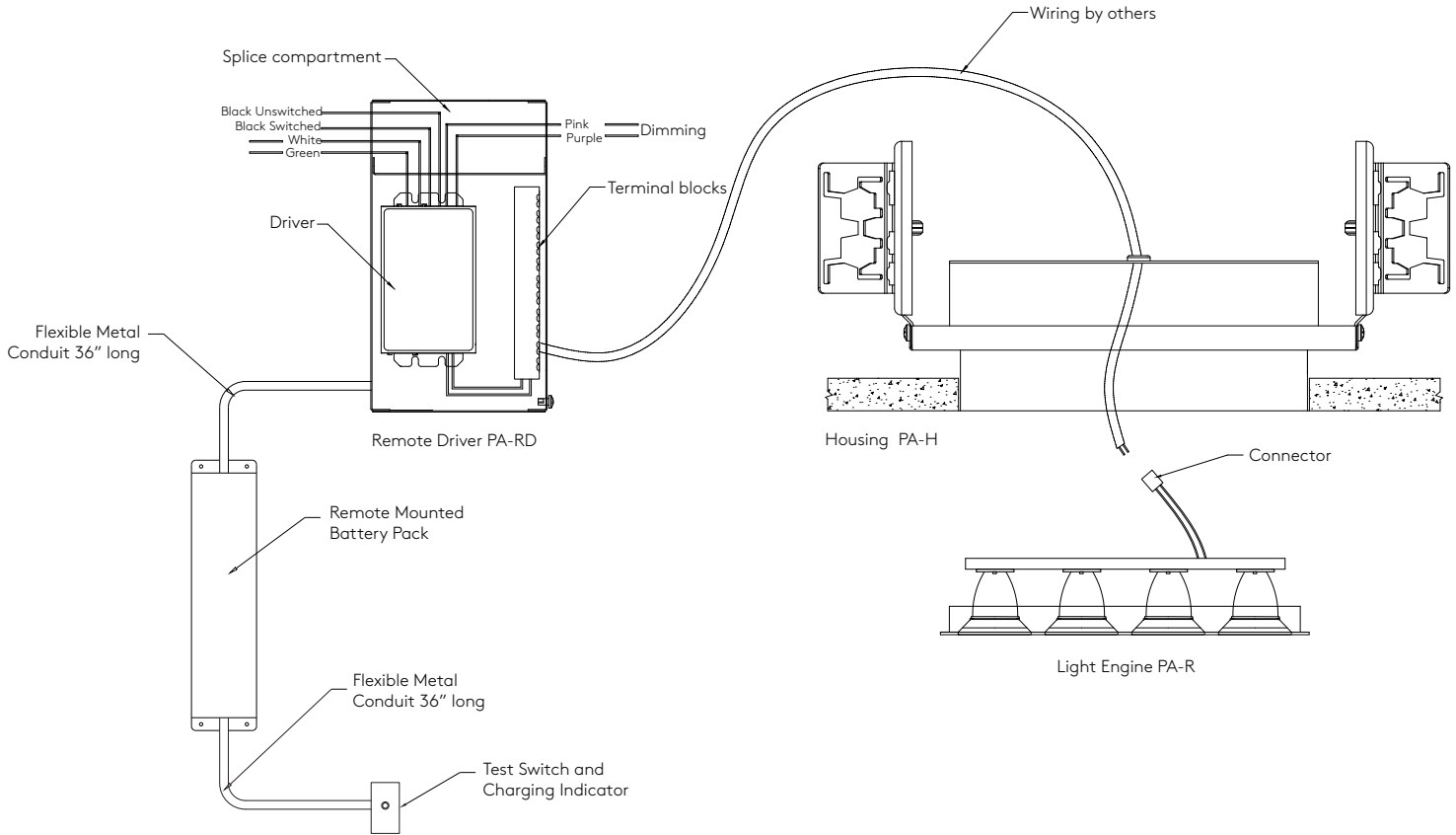
- Notes:
1. All wiring between remote fixtures and driver box are by others.
 2. All wiring must be 18 gauge foil-shielded, plenum rated (CMP) type.
 3. Maximum distance between each fixture and driver is noted on page 4.
 4. All wiring between fixtures and drivers must be equal length.
 5. Remote driver box must be accessible after installation.
 6. Remote driver not suitable for direct contact with insulation.
 7. See installation instructions for how to remove trim from housing.

Remote Driver - multiple fixtures
(3 fixtures per driver shown as example)



- Notes:
1. All wiring between remote fixtures and driver box are by others.
 2. All wiring must be 18 gauge foil-shielded, plenum rated (CMP) type.
 3. Maximum distance between each fixture and driver is noted on page 4.
 4. All wiring between fixtures and drivers must be equal length.
 5. Remote driver box must be accessible after installation.
 6. Remote driver not suitable for direct contact with insulation.
 7. See installation instructions for how to remove trim from housing.

Remote Driver Box - single fixture with battery pack



Emergency Circuit (EC) – EC luminaires are intended to be wired to separate panels/breakers for emergency use. To be installed in accordance with national and local code.

*The entire fixture is factory wired for operation on emergency circuit.

*If a different configuration is needed, please consult factory.

Emergency Battery (EM) – Luminaires supplied with EM option are provided with an NRTL listed box to house driver and EM battery and is factory wired.

In the event of an emergency, EM battery will illuminate all fixtures connected to the driver/EM at 5W (constant) for 90 minutes (25°C). Recharge time is 24 hours.

*Emergency battery option is UNV for use with 120V-277V.

*Above ceiling access required for servicing a battery.

*Please note battery pack requires an unswitched hot.

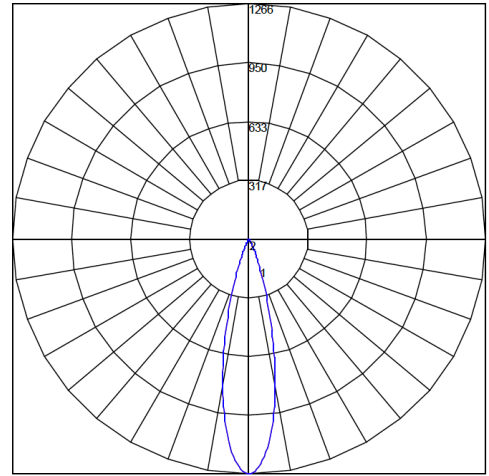
*If a different configuration is needed, please consult factory.

Photometry

1-Cell – 35G1 / 10° Optics / No Lens / 3500K CCT

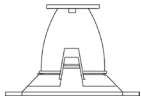


Catalog #: PA-X-01-35G1-935-10-XX-PB-XX-X-UNV
Report #: 13244843.01
Delivered Lumens: 250
Input Watts: 4.6
Efficacy: 54 lm/W
CCT: 3500K
CRI (Ra): 92.9
CRI (R9): 66.8
TM-30 Rf: 90.5
TM-30 Rg: 97.4

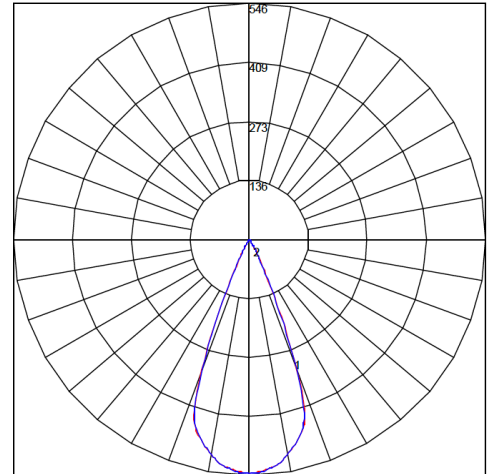


Maximum Candela = 1266 Located At Horizontal Angle = 0, Vertical Angle = 0
1 - Vertical Plane Through Horizontal Angles (90 - 270)
2 - Vertical Plane Through Horizontal Angles (0 - 180)

1-Cell – 35G1 / 20° Optics / No Lens / 3500K CCT

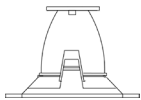


Catalog #: PA-X-01-35G1-935-20-XX-PB-XX-X-UNV
Report #: 12929227.01
Delivered Lumens: 280
Input Watts: 4.6
Efficacy: 58 lm/W
CCT: 3500K
CRI (Ra): 92.9
CRI (R9): 66.8
TM-30 Rf: 90.5
TM-30 Rg: 97.4

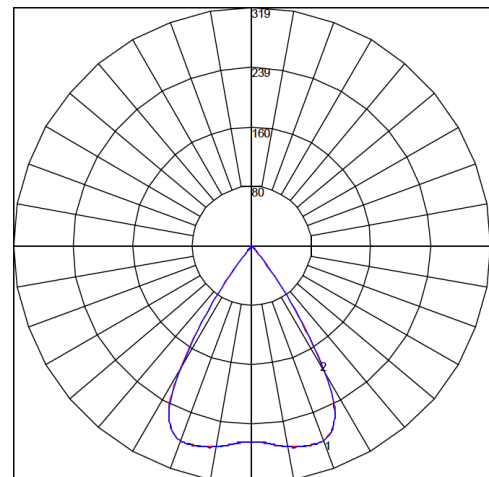


Maximum Candela = 545.874 Located At Horizontal Angle = 22.5, Vertical Angle = .5
1 - Vertical Plane Through Horizontal Angles (90 - 270)
2 - Vertical Plane Through Horizontal Angles (0 - 180)

1-Cell – 35G1 / 35° Optics / No Lens / 3500K CCT



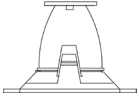
Catalog #: PA-X-01-35G1-935-35-XX-PB-XX-X-UNV
Report #: 12847457.08
Delivered Lumens: 343
Input Watts: 4.6
Efficacy: 71 lm/W
CCT: 3500K
CRI (Ra): 92.9
CRI (R9): 66.8
TM-30 Rf: 90.5
TM-30 Rg: 97.4



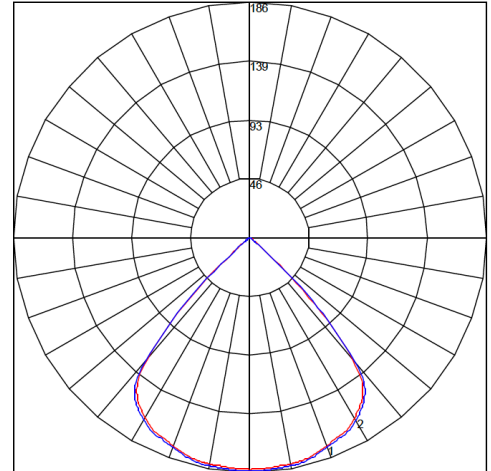
Maximum Candela = 319.2 Located At Horizontal Angle = 45, Vertical Angle = 27
1 - Vertical Plane Through Horizontal Angles (90 - 270)
2 - Vertical Plane Through Horizontal Angles (0 - 180)

Photometry

1-Cell – 35G1 / 50° Optics / No Lens / 3500K CCT



Catalog #: PA-X-01-35G1-935-50-XX-PB-XX-X-UNV
Report #: 12929227.10
Delivered Lumens: 330
Input Watts: 4.6
Efficacy: 69 lm/W
CCT: 3500K
CRI (Ra): 92.9
CRI (R9): 66.8
TM-30 Rf: 90.5
TM-30 Rg: 97.4

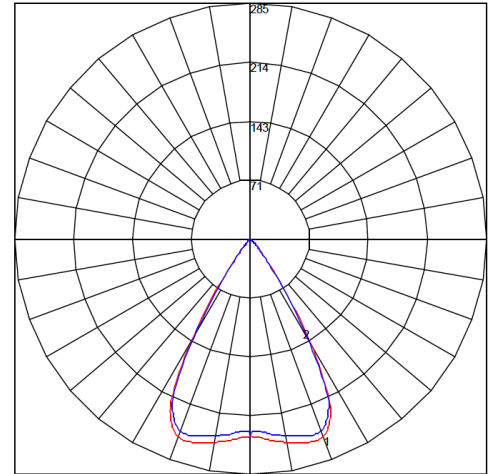


Maximum Candela = 185.84 Located At Horizontal Angle = 67.5, Vertical Angle = 1
1 - Vertical Plane Through Horizontal Angles (90 - 270)
2 - Vertical Plane Through Horizontal Angles (0 - 180)

1-Cell – 35G1 / 35° Optics / Clear Lens / 3500K CCT

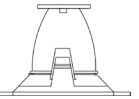


Catalog #: PA-X-01-35G1-935-35-CL-PB-XX-X-UNV
Report #: 12929227.07
Delivered Lumens: 287
Input Watts: 4.6
Efficacy: 60 lm/W
CCT: 3500K
CRI (Ra): 92.9
CRI (R9): 66.8
TM-30 Rf: 90.5
TM-30 Rg: 97.4

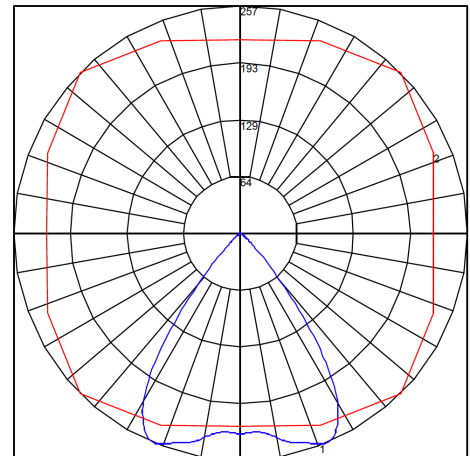


Maximum Candela = 285.395 Located At Horizontal Angle = 45, Vertical Angle = 22.5
1 - Vertical Plane Through Horizontal Angles (90 - 270)
2 - Vertical Plane Through Horizontal Angles (0 - 180)

1-Cell – 35G1 / 35° Optics / 5% Lightly Diffuse Lens / 3500K CCT



Catalog #: PA-X-01-35G1-935-35-LF-PB-WH-UNV-DIM
Report #: 13442738.03
Delivered Lumens: 270
Input Watts: 4.8
Efficacy: 56
CCT: 3500K
CRI (Ra): 92.9
CRI (R9): 66.8
TM-30 Rf: 90.5
TM-30 Rg: 97.4



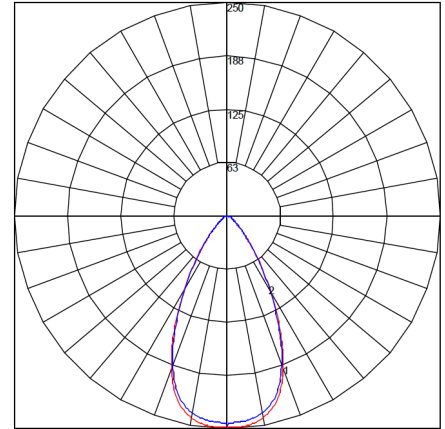
Maximum Candela = 267.395 Located At Horizontal Angle = 45, Vertical Angle = 22.5
1 - Vertical Plane Through Horizontal Angles (45 - 225) (Through Max. Cd.)
2 - Horizontal Cone Through Vertical Angle (22.5) (Through Max. Cd.)

Photometry

1-Cell – 35G1 / 35° Optics / 30% Diffuse Lens / 3500K CCT



Catalog #: PA-X-01-35G1-935-35-DF-PB-XX-X-UNV
Report #: 12929227.09
Delivered Lumens: 235
Input Watts: 4.6
Efficacy: 49 lm/W
CCT: 3500K
CRI (Ra): 92.9
CRI (R9): 66.8
TM-30 Rf: 90.5
TM-30 Rg: 97.4

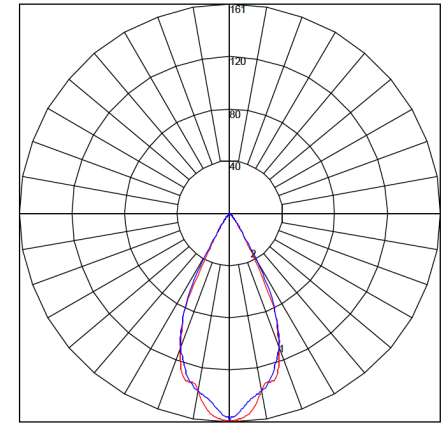


Maximum Candela = 250.113 Located At Horizontal Angle = 67.5, Vertical Angle = 5
1 - Vertical Plane Through Horizontal Angles (90 - 270)
2 - Vertical Plane Through Horizontal Angles (0 - 180)

1-Cell – 35G1 / 35° Optics / Hexcell Louver / 3500K CCT



Catalog #: PA-X-01-35G1-935-35-HX-PB-XX-X-UNV
Report #: 12929227.08
Delivered Lumens: 106
Input Watts: 4.6
Efficacy: 22 lm/W
CCT: 3500K
CRI (Ra): 92.9
CRI (R9): 66.8
TM-30 Rf: 90.5
TM-30 Rg: 97.4



Maximum Candela = 160.561 Located At Horizontal Angle = 67.5, Vertical Angle = 5
1 - Vertical Plane Through Horizontal Angles (90 - 270)
2 - Vertical Plane Through Horizontal Angles (0 - 180)

Piix™ MRC Arrays Photometry Multiplier Table	
CCT Multiplier*	
4000K	1.095
3500K	1.000
3000K	0.989
2700K	0.989
Nominal System Watts*	
Light Engine 18G1	2.3W/cell
Light Engine 35G1	4.1W/cell
Nominal Lumens*	
18G1 (XX) No lens	191lm/cell
18G1 (CL) Clear Lens	166lm/cell
18G1 (LF) 5% Lightly Diffuse Lens	155lm/cell
18G1 (DF) 30% Diffuse Lens	136lm/cell
18G1 (HX) Hexcell Louver	62lm/cell
35G1 (XX) No Lens	330lm/cell
35G1 (CL) Clear Lens	287lm/cell
35G1 (LF) 5% Lightly Diffuse Lens	241lm/cell
35G1 (DF) 30% Diffuse Lens	235lm/cell
35G1 (HX) Hexcell Louver	107lm/cell

CCT multipliers apply to the photometry, IES files, and per foot values listed on page 1 (light engine).

*Based on average of photometric samples tested. For exact lumens and watts please reference specific photometric file.