

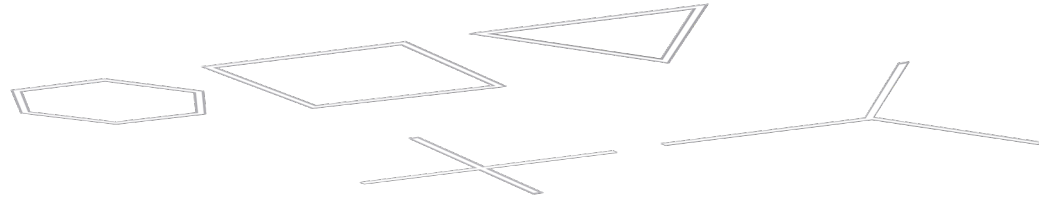
Date: \_\_\_\_\_ Customer: \_\_\_\_\_

Project: \_\_\_\_\_

Type: \_\_\_\_\_ Qty: \_\_\_\_\_



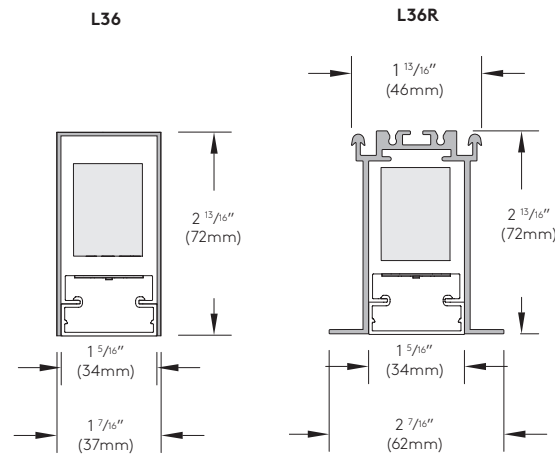
# M36 Shapes LED Recessed



Order Code:   L36R  

<u>  L36R  </u>	Series	<b>L36</b> Multi-Mount Form		<b>L36R</b> Continuous Flange							
	Light Engine	<b>1C45</b> 80CRI-1221lm 90CRI-1026lm 11.1W per foot	<b>1C40</b> 80CRI-1095lm 90CRI-920lm 9.9W per foot	<b>1C35</b> 80CRI-988lm 90CRI-830lm 8.7W per foot	<b>1C30</b> 80CRI-769lm 90CRI-647lm 7.3W per foot	<b>1C25</b> 80CRI-637lm 90CRI-535lm 6.1W per foot	<b>1C20</b> 80CRI-510lm 90CRI-429lm 4.9W per foot	* Values calculated from a 4' fixture at 3500K, 90+ CRI using LW shielding and DIM driver. For additional information, please see page 7.			
	CCT	<b>927</b> 2700K 90+ CRI	<b>930</b> 3000K 90+ CRI	<b>935</b> 3500K 90+ CRI	<b>940</b> 4000K 90+ CRI	<b>827</b> 2700K 80+ CRI	<b>830</b> 3000K 80+ CRI	<b>835</b> 3500K 80+ CRI	<b>840</b> 4000K 80+ CRI	<b>RGBW</b> (consult factory)	
	Shielding	<b>LW</b> LED Optimized White Lens	<b>MI</b> Clear Lens with Microprism inlay	<b>NB</b> LMO Symmetric	<b>BW</b> LMO Batwing	* Select one Shielding option - optics can not be "stacked" within the same fixture.					
	L36 Mounting or L36R Mounting	<b>SF1</b> Spackle Flange (1/2' drywall)	<b>SF2</b> Spackle Flange (5/8' drywall)	<b>SF3</b> Spackle Flange (after drywall)	* See page 3 for detail on housing breaks. * For mixed mountings consult factory.						
	Shape and Nominal Length	<b>T</b> _____ Triangle	<b>Q</b> _____ Rectangle/ Square	<b>H</b> _____ Hexagon	<b>X</b> _____ X provided with 90° corners	<b>Y</b> _____ Y provided with 120° corners	_____ = 1', 2', 3', or 4'			* Select shape and add nominal side length. For rectangles, indicate length and width. Example: Use T4 for a Triangle with sides 4' long. * All lengths are nominal consult factory for further details.	
	Finish	<b>WH</b> White	<b>BL</b> Semi-Matte Black	<b>SV</b> Silver	<b>SP</b> Specify Premium Color	* Custom colors are available, please consult factory.					
	Voltage	<b>1</b> 120V	<b>2</b> 277V	<b>U</b> 120V through 277V 50/60hz capable	<b>3</b> 347V (consult factory)						
	Driver	<b>DIM</b> <sup>1</sup> 0-10V (Linear)	<b>DIL</b> <sup>1,2</sup> eldoLED 1% ECOdrive 0-10V (Logarithmic)	<b>DED</b> <sup>1,2</sup> eldoLED 1% ECOdrive DALI-2 (Logarithmic)	<b>D01</b> <sup>1,2</sup> eldoLED 0.1% SOLOdrive 0-10V (Linear)	<b>DL01</b> <sup>1,2</sup> eldoLED 0.1% SOLOdrive 0-10V (Logarithmic)	<b>DE1</b> <sup>1,2</sup> Lutron 1% EcoSystem	<b>DC3</b> Lutron 1% 3-Wire (consult factory)	* See page 4 for details. * Not available in 1' side length.		
	Fixture Options	<b>FS</b> In-line Fuse								* See page 6 for details.	
	Emergency Options	<b>EC</b> <sup>3</sup> Emergency Circuit Wiring		<b>EMR</b> Remote Micro Inverter (consult factory)						* See page 6 for details.	





### Construction:

**Housing** - Continuous, low copper 6063-T6 extruded aluminum profile available as Triangle, Square, Rectangle, or Hexagon.

**Flange (L36R Series)** - 3/16" (14mm) wide flange runs full lengths of both sides and is part of the main extruded body.

**Geartray** - Low copper 6063-T6 extruded aluminum profile.

**Shielding** - Extruded, impact resistant acrylic lens:  
 - LED Optimized White Lens (LW)  
 - Clear Lens with Microprism Inlay (MI)  
 - "LMO" Symmetric Lens (NB)  
 - "LMO" Batwing (BW)  
 "LMO" refers to the Selux proprietary LED optical system - Light Modulation Optics.

**Mounting(s)** - Spackle in (drywall), Rotating Crossbar, and Threaded Stud mountings (see pages 3 for details).  
 \*\*Mixed mountings are possible - consult factory.

**Standard Luminaire lengths** - All standard luminaires are supplied in nominal lengths to ensure full, even illumination.  
 \*\*Individual luminaires are not joinable in the field.

**Exact length luminaires** - Sizes and shapes other than those indicated are available to meet your project needs. Please consult factory with your requirements.  
 \*\*Lens luminance may soften at the corners for exact length luminaires.

**M36 Joiner(s)** - Some shapes are made of multiple-pieces housings. Consult factory for details.

**Weight** - 1.8 lb per foot based on total length.

### Electrical/Performance:

**LED Light Engine** - Brand-name mid-power LEDs create a high efficiency LED light engine able to provide a lumen maintenance of 94% at 25,000 hours and 88% at 60,000 hours at 25°C per TM-21 reports. Reported L70 >60,000 hours.

**Photometrics** - Consult website or factory for IES Files. Independent photometric lumen measurement complies with IES LM-79-08 testing procedures. Due to the LED manufacturer's tolerances, the listed output has a ±5% tolerance. For outputs based on different optics or CCT, please see pages 7 for details.

**CCT** - Available in 2700K, 3000K, 3500K, 4000K, tolerance within a 3-step MacAdam ellipse.

**CRI** - 90+ and 80+ CRI.

**All Drivers** - High efficiency, constant current, soft start, Electronic Class 2 with a PFC > 0.90. For more detailed information on the available drivers please see page 4.

### Thermal Performance:

**Ambient Operating Temperature** - Luminaires suitable for maximum ambient temperature of 25°C (77°F) for DE1 at 1C40 and 1C45 light engines; 35°C (95°F) for all others.

Luminaires are suitable for minimum ambient temperatures of -40°C (-40°F) for DIM, DIL, DED, D01, and DL01 drivers; 0°C (32°F) for DE1 drivers, DE1 drivers.

### Luminaire Finish:

**Powder Coat** - All Selux luminaires are finished in high quality polyester powder coating in our Tiger Drylac certified facility and are tested in accordance with test specifications for coatings from ASTM and PCI.

All products undergo a five stage intensive pretreatment process where product is thoroughly cleaned, phosphated, and sealed. Selux powder coated products provide excellent salt and humidity resistance as well as ultra violet resistance for color retention.

Standard interior colors are White (WH), Semi-Matte Black (BL), and Silver (SV). Selux premium colors (SP) are available, please specify from your Selux color selection guide.

### Warranty:

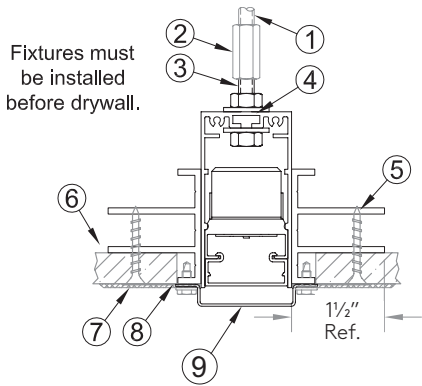
**5 Year Limited LED Luminaire Warranty** - Selux offers a 5 Year Limited Warranty to the original purchaser that the M36 Shapes LED luminaire shall be free from defects in material and workmanship for up to five (5) years from date of shipment. This limited warranty covers the LED driver and LED light engine when installed according to Selux instructions and operated within the Ambient Temperature. For additional details and exclusions, see "Selux Terms and Condition of Sale."

### Certifications and Compliance:

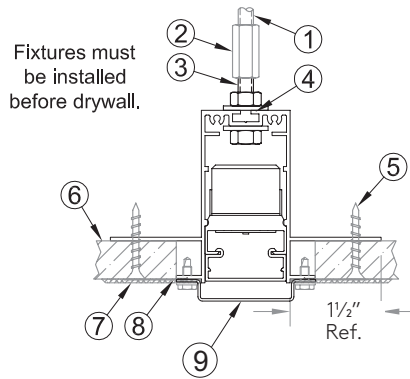
NRTL - For Dry and Damp Locations (I.E. cULus; cCSAus)  
 ARRA Compliant  
 RoHS Compliant  
 IC Rated

### Spackle Flange Mounting (SF1 and SF2)

#### 1/2" Spackle Flange Mounting (SF1)



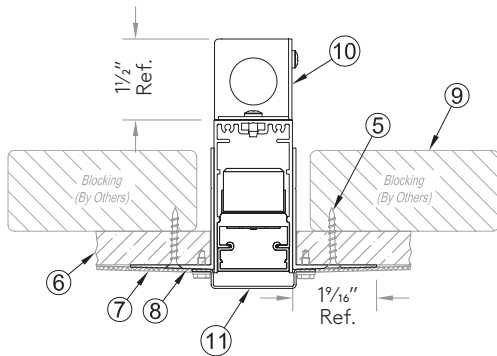
#### 5/8" Spackle Flange Mounting (SF2)



1. 1/4"-20 Threaded rod to structure (supplied and installed by others).
2. 1/4"-20 Coupler hardware (supplied and installed by others).
3. 1" 1/4"-20 Stud (by Selux).
4. Ø5/8" (Ø7mm) mounting hole.
5. Drywall/Drywall screw (Ref.)
6. Drywall/Drywall (Ref.)
7. 1/8" Plaster skimcoat (Ref.)
8. Drywall/Drywall tape (Ref.)
9. Brackets installed and shipped in the **closed** position by Selux.
  - For Runs, rotate bracket to open position so the geartray can be removed to make the housing and wiring connections.
  - After connections are made, rotate bracket back to the closed position (see installation instructions for full details).
  - Brackets to be removed only after the luminaire is completely secured to the drywall through the spackle flange.

### Spackle Flange Mounting (SF3)

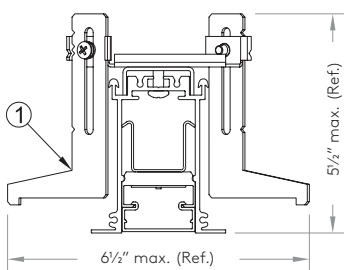
#### After Drywall Flange Mounting (SF3)



1. Drywall/Drywall screw (Ref.)
2. Drywall/Drywall (Ref.)
3. 1/8" Plaster skimcoat (Ref.)
4. Drywall/Drywall tape (Ref.)
5. Blocking to secure fixture (by others)
6. Brackets installed and shipped in the **closed** position by Selux.
  - Rotate bracket to open position so the geartray can be removed to make the housing and wiring connections.
  - After connections are made, rotate bracket back to the closed position (see installation instructions for full details).
  - Brackets to be removed only after the luminaire is completely secured to the drywall through the spackle flange.

### Rotating Crossbar Mounting (RC)

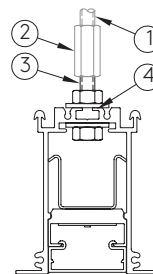
#### Rotating Crossbars (RC) (1/4" to 2" thick ceiling)



1. Rotating Crossbar intended for inaccessible ceilings, adjustable for ceiling thickness of 1/4" to 2".

### Threaded Stud Mounting (TS)

#### 1/4"-20 Threaded Stud (TS) (1" Threaded Stud)



1. 1/4"-20 Threaded rod to structure (supplied and installed by others).
2. 1/4"-20 Coupler hardware (supplied and installed by others).
3. 1" 1/4"-20 Stud (by Selux).
4. Ø5/8" (Ø7mm) mounting hole.

## Drivers

### 0-10V linear dimming (DIM)

Luminaires supplied with drivers offering the capability of either normal switched operation of 0-10V dimming for linear dimming curve. Fixtures ship wired for dimming. For on/off functionality, simply cap the dimming leads. Minimum dimming level preset at factory to 1%. (Due to size constraints, 1' side length luminaires may be supplied with a driver from a different manufacturer than 2' and above luminaires. For details, please consult factory).

### 0-10V logarithmic eldoLED EcoDrive dimming (DIL)

Luminaires supplied with drivers offering the capability of either normal switched operation of 0-10V dimming for logarithmic dimming curve. Fixtures shipped wired for dimming. For on/off functionality, simply cap the dimming leads. Minimum dimming level preset at factory to 1%.

### eldoLED ECOdrive DALI-2 dimming (DED)

Luminaires supplied with ECOdrive DALI-2 dimming driver with logarithmic dimming curve. Minimum dimming level preset at factory to 1%. For "dim to dark" (down to 0.1%), please consult factory.

### eldoLED SOLOdrive 0-10V linear dimming (D01)

Luminaires supplied with SOLOdrive 0-10V dimming driver with linear dimming curve. Minimum dimming level preset at factory to 0.1% and "dim to dark".

### eldoLED SOLOdrive 0-10V logarithmic dimming (DL01)

Luminaires supplied with SOLOdrive 0-10V dimming driver with logarithmic dimming curve. Minimum dimming level preset at factory to 0.1% and "dim to dark".

### LUTRON EcoSystem dimming (DE1)

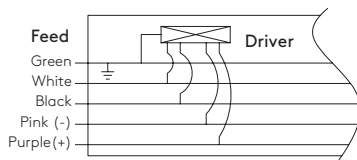
Luminaires supplied with Hi-Lume EcoSystem (4 wire, digital link) dimming driver programmed for Constant Current Reduction (CCR). Minimum dimming level down to 1% with SoftOn/FadeToBlack.

\*For control recommendations, please contact driver manufacturer.

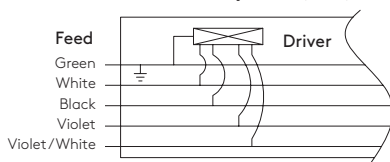
\*For driver counts, please see page 8.

## Wiring Diagrams

**0-10V linear (DIM)**  
**0-10V logarithmic eldoLED ECOdrive (DIL)**  
**DALI-2 logarithmic eldoLED ECOdrive (DED)**  
**0-10V linear eldoLED SOLOdrive (D01)**  
**0-10V logarithmic eldoLED SOLOdrive (DL01)**



### Lutron EcoSystem (DE1)



Standard Wiring supplied for all drivers	Green = Ground White = Neutral (120V/277V/347V) or L2 (240V) Black = Hot/L1 (120V-347V)
<b>- The following wire(s) are in addition to the standard above -</b>	
DIM, DIL, DED, D01, DL01	Pink = (-) DALI-2 or 0-10V Dimming Control Purple = (+) DALI-2 or 0-10V Dimming Control
DE1	Violet = "E1" Digital Link Dimming Control Violet/White = "E2" Digital Link Dimming Control

**Driver Counts for DIM, DIL, DED, D01, DL01 drivers**

Driver Type DIM, DIL, DED, D01, DL01	Driver Current		1C20	1C25	1C30	1C35	1C40	1C45
Shape	Side (Nominal)	Total Length (Nominal)	Driver Quantity					
	1'	4'	1*	1*	1*	1*	2*	2*
	2'	8'	1	1	2	2	2	2
	3'	12'	2	2	2	3	3	3
	4'	16'	2	2	4	4	4	4
	1'	3'	1*	1*	1*	1*	1*	1*
	2'	6'	1	1	1	2	2	2
	3'	9'	2	2	2	3	3	3
	4'	12'	2	2	2	3	3	3
	1'	6'	2*	2*	2*	2*	2*	2*
	2'	12'	2	2	2	3	3	3
	3'	18'	3	3	3	6	6	6
	4'	24'	3	3	6	6	6	6
	1'	4'	1*	1*	1*	1*	2*	2*
	2'	8'	1	1	2	2	2	2
	3'	12'	2	2	2	3	3	3
	4'	16'	2	2	4	4	4	4
	1'	3'	1*	1*	1*	1*	1*	1*
	2'	6'	1	1	1	2	2	2
	3'	9'	2	2	2	3	3	3
	4'	12'	2	2	2	3	3	3

\*DIM/DIL drivers only.

**Driver Counts for DE1 drivers**

Driver Type DE1	Driver Current		1C20	1C25	1C30	1C35	1C40	1C45
Shape	Side (Nominal)	Total Length (Nominal)	Driver Quantity					
	1'	4'	n/a	n/a	n/a	n/a	n/a	n/a
	2'	8'	2	2	2	2	2	2
	3'	12'	2	2	2	3	3	3
	4'	16'	4	4	4	4	4	4
	1'	3'	n/a	n/a	n/a	n/a	n/a	n/a
	2'	6'	1	1	1	3	2	2
	3'	9'	2	2	3	3	3	3
	4'	12'	2	2	2	3	3	3
	1'	6'	n/a	n/a	n/a	n/a	n/a	n/a
	2'	12'	2	2	2	3	3	3
	3'	18'	6	6	6	6	6	6
	4'	24'	6	6	6	6	6	6
	1'	4'	n/a	n/a	n/a	n/a	n/a	n/a
	2'	8'	2	2	2	2	2	2
	3'	12'	2	2	2	3	3	3
	4'	16'	4	4	4	4	4	4
	1'	3'	n/a	n/a	n/a	n/a	n/a	n/a
	2'	6'	1	1	1	3	2	2
	3'	9'	2	2	3	3	3	3
	4'	12'	2	2	2	3	3	3

**Fuse (FS)** - Fusing, luminaires supplied with a in-line fuse located on the hot wire for each feed.  
(supplied with an 8A slow burn fuse).

**Emergency Wiring (EC)** - EC luminaires are intended to be wired to separate panels/breakers for emergency use. See install instructions for proper wiring.

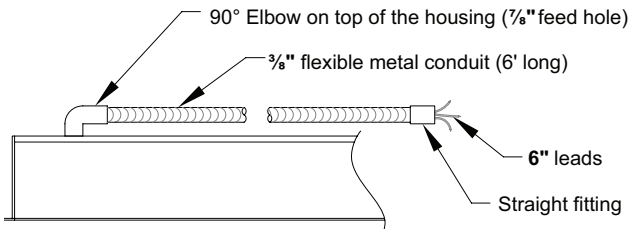
For 1' to 6' nominal luminaires, the entire fixture is wired for operation on emergency circuit.

For 7' and up nominal luminaires, the first 4' nominal length is wired for operation by a separate EM circuit by default to meet the required "Life Safety Code" (NFPA 101).

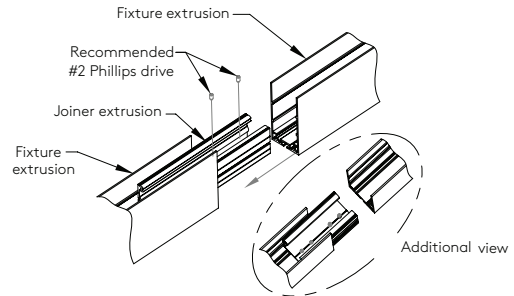
If a different configuration is needed, please consult factory.

Note: Wiring may vary slightly due to on-site conditions or local codes. Please follow all safety installation protocols contained within install instructions when installing luminaire.

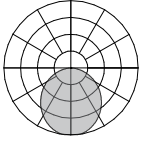
**Flex Whip** - standard for FF mounting



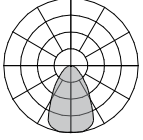
**Joiner System** - standard for multi-piece housings



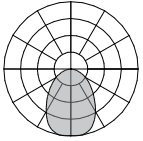
Photometry



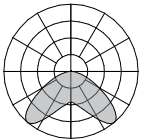
LW - LED Optimized White Lens			
Light Engine	Lumens per foot	Input watts per foot	lm/W
1C35	831	8.9	94



MI - Clear Lens with Microprism Inlay			
Light Engine	Lumens per foot	Input watts per foot	lm/W
1C35	847	8.9	96



NB - LMO Symmetric			
Light Engine	Lumens per foot	Input watts per foot	lm/W
1C35	1013	8.9	lm/W



BW - LMO Batwing			
Light Engine	Lumens per foot	Input watts per foot	lm/W
1C35	917	8.9	103

M36 Recessed	
CCT Multiplier	
4000K	1.05
3500K	1.00
3000K	0.96
2700K	0.92
CRI Multiplier	
90+ CRI	1.00
80+ CRI	1.19

CCT and CRI multipliers apply to the photometry, IES files, and per foot values listed on page 1 (light engine).

Lens multipliers supplied for per foot values listed on page 1 (light engine).

M36 Lumen Table								
Pattern Shape	Leg (Nominal)	Total Length (Nominal)	Light Engine					
			1C45	1C40	1C35	1C30	1C25	1C20
	1'	4'	3,776	3,408	3,220	2,572	2,152	1,780
	2'	8'	7,552	6,816	6,440	5,144	4,304	3,560
	3'	12'	11,328	10,224	9,660	7,716	6,456	5,340
	4'	16'	15,104	13,632	12,880	10,288	8,608	7,120
	1'	3'	2,832	2,556	2,415	1,929	1,614	1,335
	2'	6'	5,664	5,112	4,830	3,858	3,228	2,670
	3'	9'	8,496	7,668	7,245	5,787	4,842	4,005
	4'	12'	11,328	10,224	9,660	7,716	6,456	5,340
	1'	6'	5,664	5,112	4,830	3,858	3,228	2,670
	2'	12'	11,328	10,224	9,660	7,716	6,456	5,340
	3'	18'	16,992	15,336	14,490	11,574	9,684	8,010
	4'	24'	22,656	20,448	19,320	15,432	12,912	10,680
	1X2	6'	5,664	5,112	4,830	3,858	3,228	2,670
	1X3	8'	7,552	6,816	6,440	5,144	4,304	3,560
	1X4	10'	9,440	8,520	8,050	6,430	5,380	4,450
	2X3	10'	9,440	8,520	8,050	6,430	5,380	4,450
	2X4	12'	11,328	10,224	9,660	7,716	6,456	5,340
	3X4	14'	13,216	11,928	11,270	9,002	7,532	6,230
	1'	4'	3,776	3,408	3,220	2,572	2,152	1,780
	2'	8'	7,552	6,816	6,440	5,144	4,304	3,560
	3'	12'	11,328	10,224	9,660	7,716	6,456	5,340
	4'	16'	15,104	13,632	12,880	10,288	8,608	7,120
	1'	3'	2,832	2,556	2,415	1,929	1,614	1,335
	2'	6'	5,664	5,112	4,830	3,858	3,228	2,670
	3'	9'	8,496	7,668	7,245	5,787	4,842	4,005
	4'	12'	11,328	10,224	9,660	7,716	6,456	5,340

\*Values calculated from a 4' fixture at 3500K, 90+ CRI using LW shielding and DIM driver.