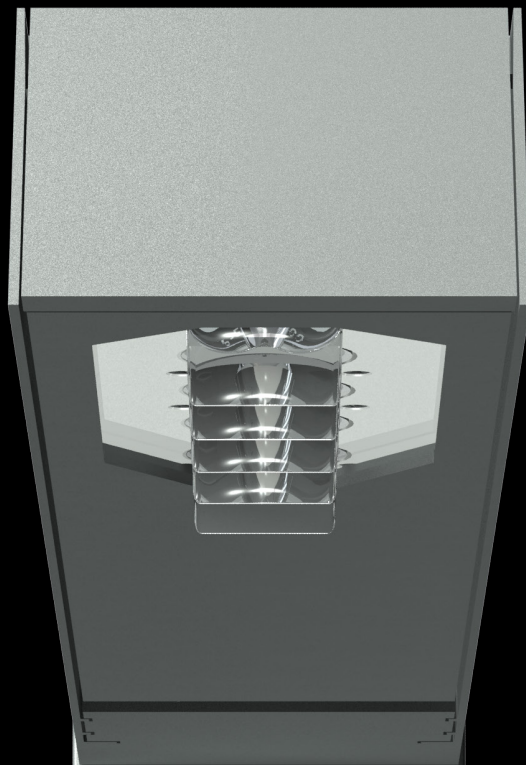


ARCA

Application Guide

Sleek. Modern. Adaptive.

selux



Product Specifications

Light Engine: Gen5; 80+ CRI

Output: 2,448lm - 10,000lm Nominal

CCT: 2700K, 3000K, 4000K; 3-Step Binning;

Distributions: Type I, Type II, Type III, Type III Wide, Type IV,
Type V Round, Type V Square, Type V Rectangular

Options: Dimming, GFCI, House Side Shield, and Photocell

Sleek and Minimal

Arca is a sleek and minimalistic pathway and area luminaire with no uplight. The proprietary Gen5 optics provide a comfortable appearance and optimal spreading of light. Arca allows many different mounting configurations for a unique look and added functionality.

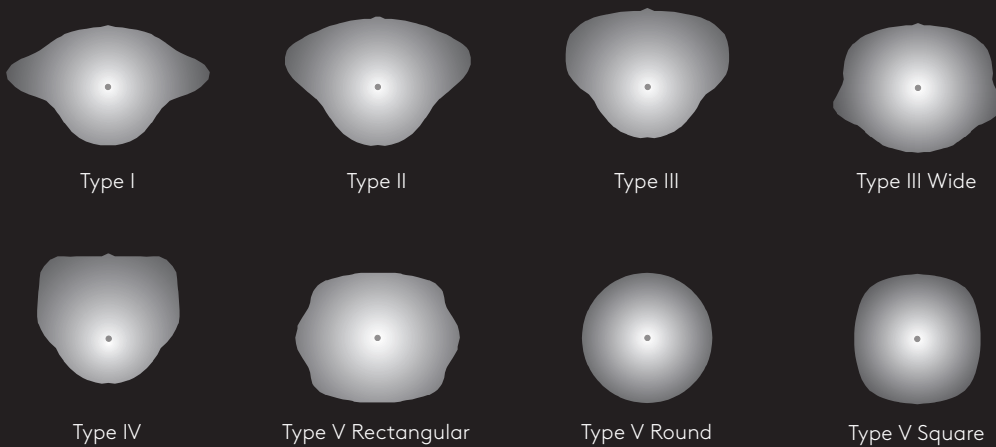


Gen5 Technology

The Selux Gen5 lens is an optical advancement that allows for a full range of distributions with excellent visual comfort. Unlike other optics, Gen5 is a proprietary design made of silicone, integrated into our existing and new exterior products to expand distribution options, increase lumen output, and provide a visual experience unique to Selux.

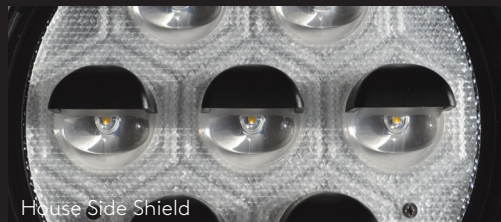
By keeping the vertical maximum intensity angle below 69° , Gen5 optics minimize brightness at critical viewing angles. In addition, Gen5 spreads brightness between LEDs which reduces contrast and increases the quality of the visual experience.

Standard Distributions



Micro House Side Shield

Instead of the typical house side shield that obstructs the look of the luminaire as well as interrupting the flow of a lighting design, Selux has created an exclusive field-installable discrete micro house side shield that clips directly to the lens, blocking light at the source.



Type IV
House Side Shield

Type IV house side shield distribution shown as example. House side shields may be used with any shown distribution.

* Not available with Type III Wide or Type V distributions.



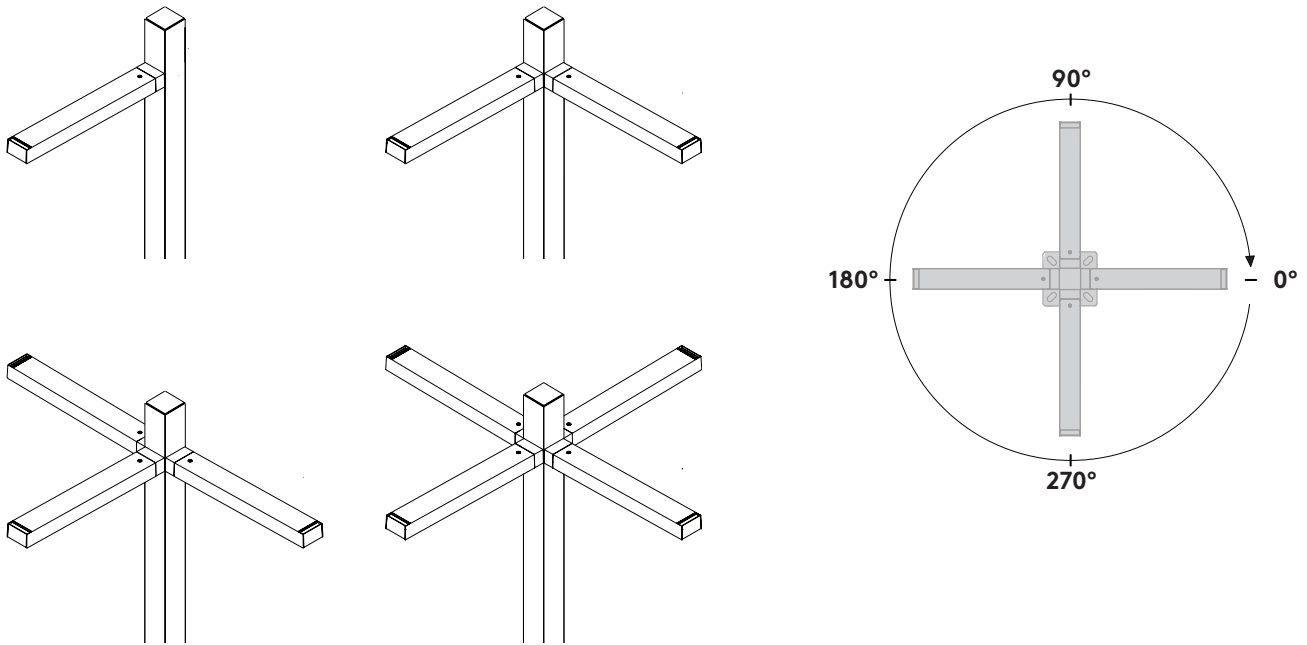
Certified by DarkSky.org

Arca has the Fixture Seal of Approval issued by the International Dark Sky Association. The luminaire is certified to minimize glare, reduce light trespass, and have zero uplight.

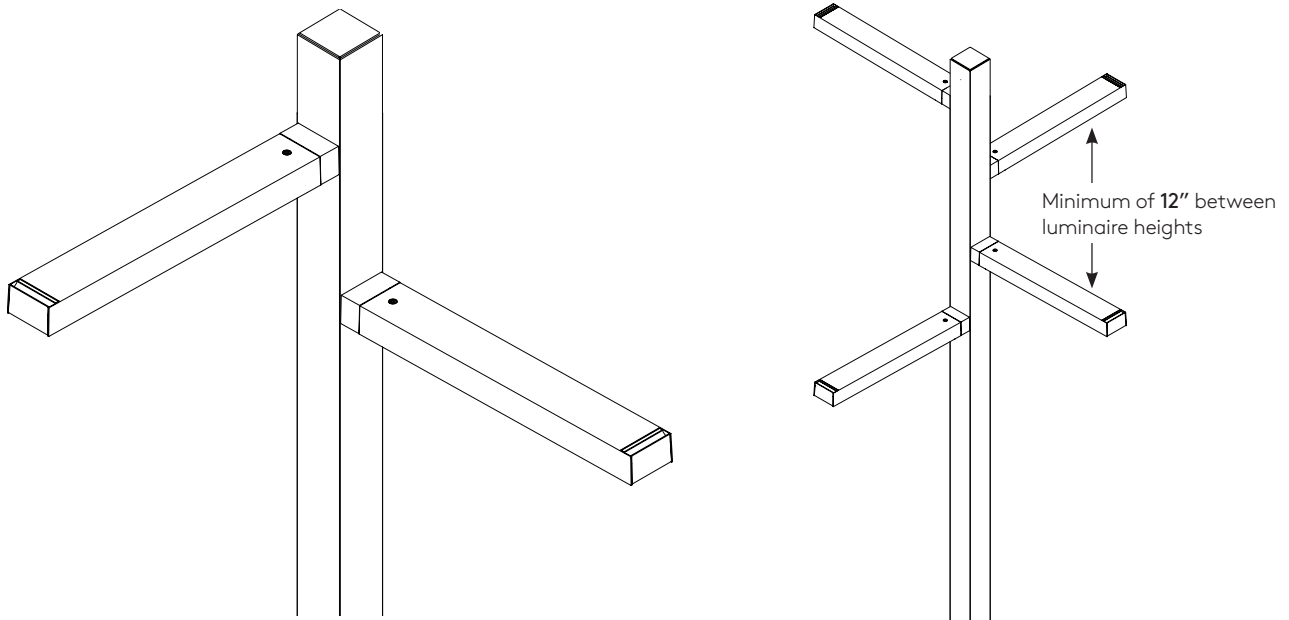
Sistema Mounting

Flexible Arrangement of Fixtures - Sleek Design

Arca has a compact, sleek form that is enhanced by a square pole giving it a modern feel. Options include one to four heads that can be mounted at the same or varying levels. This flexible arrangement of fixtures gives the designer many different options. The simple contemporary lines will enhance any landscape design in locations such as a pedestrian pathway, college campus, bike path, or courtyard.



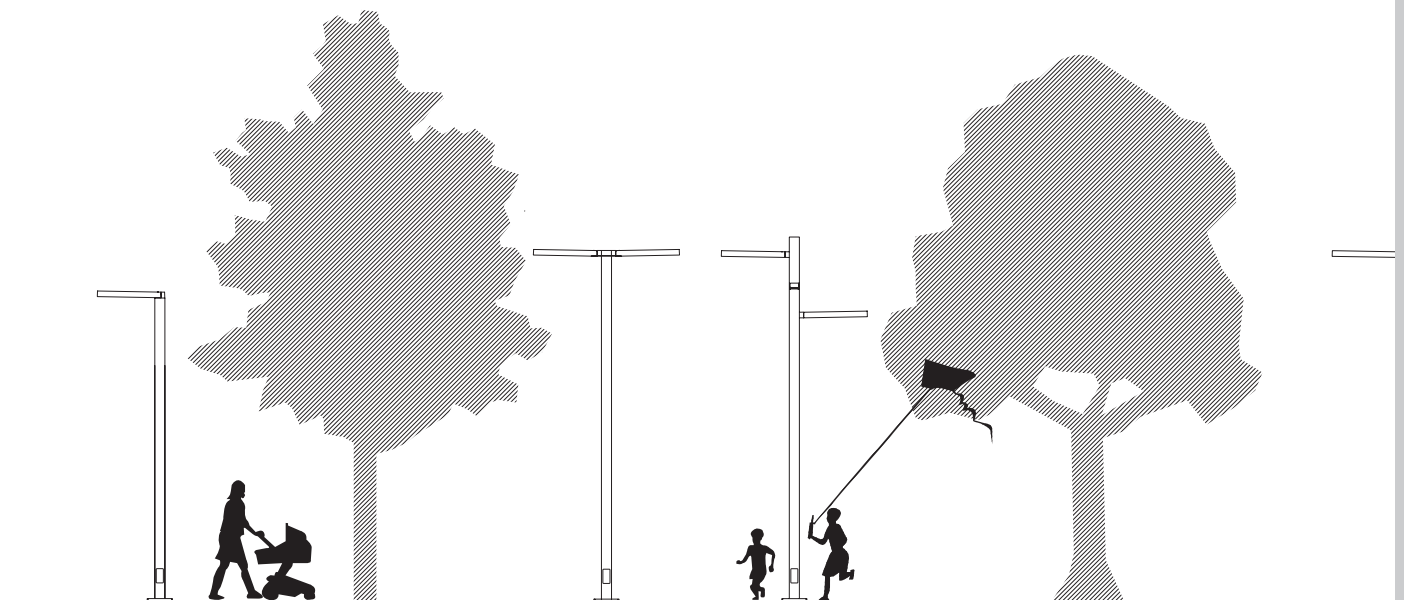
Align luminaires at the same level as above,
or vary the height for a more organic look





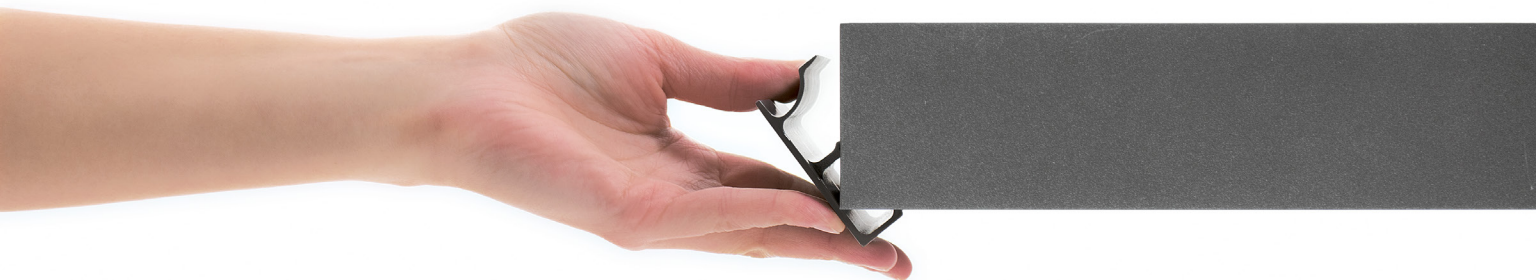
A Family Approach

Arca's different mounting options can be used to continue the design language throughout your project. Pole, Sistema, or Wall Mounted options are available to meet a variety of installation needs.



Ease of Maintenance

Arca comes pre-wired and mounts with one rivnut (threaded insert) to pole bracket for easy and fast installation. An extruded aluminum latch provides toolless entry into luminaire for ease of maintenance.



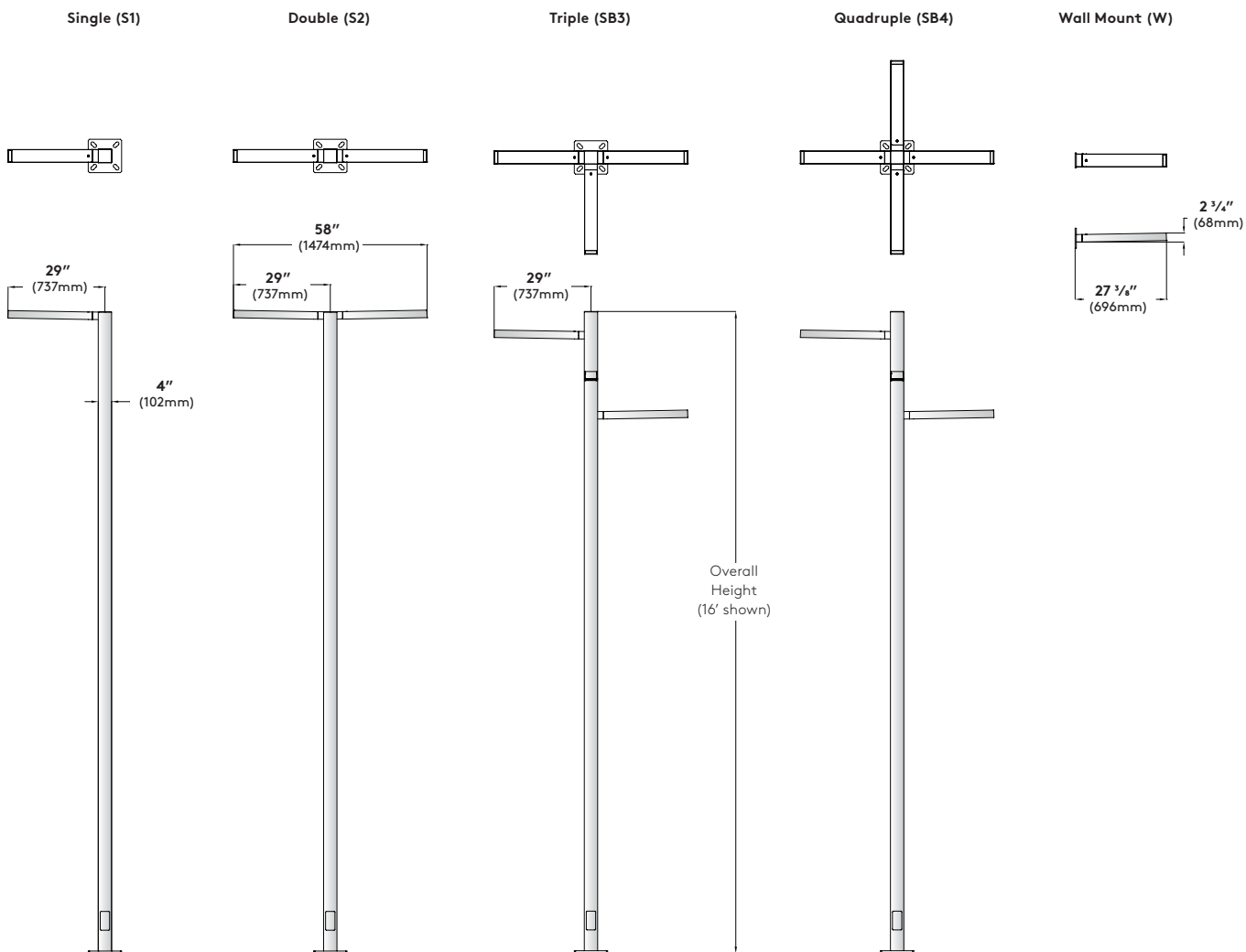
Perfect for Transportation and so much more

The scale of Arca luminaires is well suited for small, intimate areas including train station platforms. Gen5 optics complement this with distributions and backlight cutoff features that precisely illuminate the area.



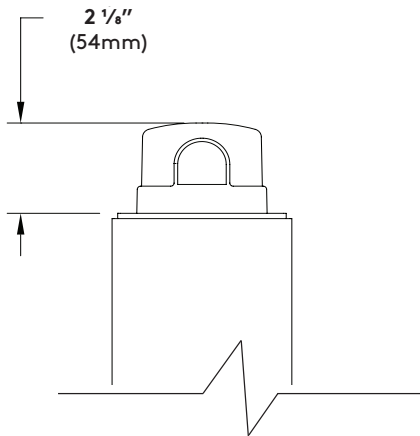
Family Dimensions

The Arca family is a minimalistic and sleek pathway and area luminaire system with no uplight. The proprietary Gen5 optics provide a comfortable appearance and optimal spreading of light. Arca allows many different mounting configurations for a unique look and function. IP66 rated housing provides toolless access to light engine via a cast aluminum latch.

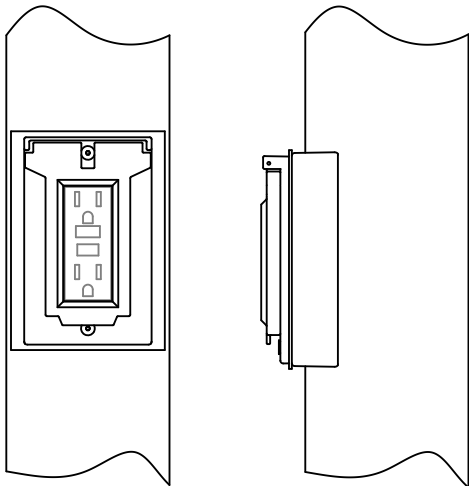


Additional Options

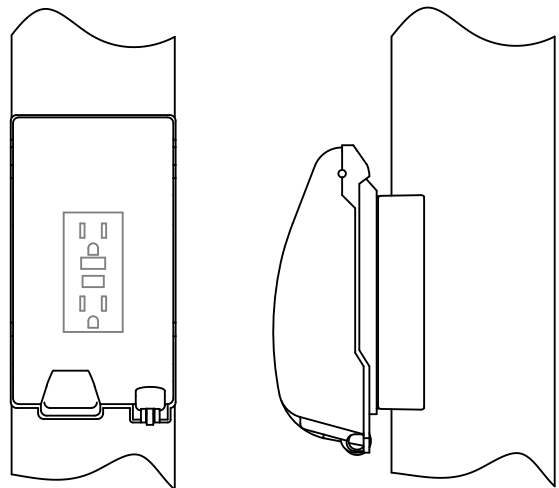
Photocell (TLRP) - Twist lock photocell at top of pole.



GFCI Receptacle (REC) - 120V 15A GFCI duplex receptacle with weather-proof, self-closing cover; located 18" (457mm) from base of pole, inline with handhole.



GFCI Receptacle (REC2) - 120V 15A GFCI duplex receptacle with weather-proof, self-closing, padlockable cover; located 18" (457mm) from base of pole, inline with handhole.



USB & Duplex Receptacle (REC3) - 120V 15A duplex receptacle with USB combination ports. (1) type A and (1) type C high power 5 Amp, 5 Volt USB outlets. With weather-proof, self-closing cover; located 36" (915mm) from base of pole, inline with handhole.

USB & Duplex Receptacle (REC4) - 120V 15A duplex receptacle with USB combination ports. (1) type A and (1) type C high power 5 Amp, 5 Volt USB outlets. With weather-proof, self-closing padlockable in-use cover; located 36" (915mm) from base of pole, inline with handhole.