

Date: _____ Customer: _____

Project: _____

Type: _____ Qty: _____



Arca LED Gen5



Order Code: ACL - - - - -

Pole Order Code:	Series	Height	Finish	RN		Options	Rivnut Locations (see page 4)
				Rivnut Pairs			
<u>ACL</u>	Series ACL Arca LED						
	Optics	R1 Type I	R2 Type II	R3 Type III	R4 Type IV	R5R Type V (Round)	R5S Type V (Square)
	Mounting	S1 Single	S2 Double	SBX ¹ Sistema Mount	W Wall Mount	¹ Max 4 heads (SB4).	
	Light Engine	5G1350 Single LED 24W/2520lm	5G1530 Single LED 36W/3540lm	5G1800 Single LED 54W/5346lm	5G2350 ² Double LED 48W/5040lm	5G2530 ² Double LED 61W/7579m	5G2800 ² Double LED 100W/9900lm
	CCT	27 ³ * 2700K	30 ³ 3000K	35* 3500K	40 4000K	50* 5000K	³ 2700K and 3000K DarkSky approved. * Consult factory for lead time.
	Finish	WH White	BK Black	BL Semi-Matte Black	BZ Bronze	SV Silver	SP Specify Premium Color
	Voltage	UNV 120V-277V	120 120V	240 240V	277 277V	347 ^{4,5} 347V	480 ^{4,5} 480V
	Options	DM ⁷ Dimming (0-10V)	HS ⁶ House Side Shield	TLR ⁷ Twist Lock Receptacle 7-Pin with Shorting cap	TLRP ⁹ Twist Lock Receptacle with Photocell	MS ⁹ Motion Sensor (Meets Title 24 Requirements) See page 6 for Order Code	⁶ Type I, II, III, and IV only ⁷ DM, TLR, or MS only. Cannot be combined TLR, TLRP or MS only. Cannot be combined.

Product Modifications

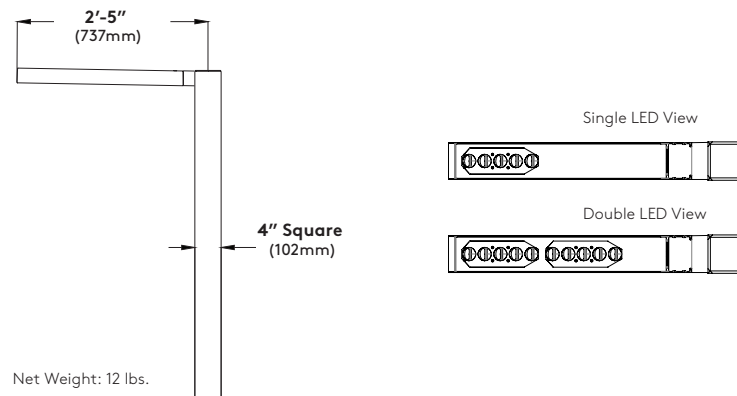
Please list modification requirements for review by factory:

Approvals



Date: _____

ACL-R2-S1



Specifications

Luminaire Cover - Two piece high pressure die cast housing, made of low copper aluminum alloy. Toolless latch allows easy access to light engine and gear tray components.

Gasketing - UV and ozone-resistant, silicone gasket between fixture housing and lens base provide IP65 level ingress protection.

LED Array - High Flux LEDs mounted to metal core PCB and attached to external heat sink for maximum LED performance and life. CCT tolerance within a 3 step binning for 2700K, 3000K, 3500K, 4000K and 5000K. CRI minimum 80. LED array has a reported lumen maintenance of 93% at 50,000 hours. L70 calculated greater than 100,000 hours. Exposed face rated to IP65.

LED Optics - Technical Optics (R1, R2, R3, R4, R5S, and R5R) use Selux signature light pattern acrylic lens holder to secure proprietary silicone optics. Internal micro house side shield available for distributions types I, II, III and IV.

LED Driver - LEDs are driven by RoHS compliant constant current programmable LED driver. Driver includes 0-10V dimming to 10%, meets the requirements of IP66.

Surge Protection - Designed to protect luminaire from electrical surge (20kA).

Power Cord - Pre-installed at factory. Power cords are provided to fit the length of the pole specified with the luminaire.

Exterior Luminaire Finish - Selux utilizes a high quality Polyester Powder Coating. All Selux luminaires and poles are finished in our Tiger Drylac certified facility and undergo a five stage intensive pretreatment process where product is thoroughly cleaned, phosphated and sealed. Selux powder coated products provide excellent salt and humidity resistance as well as ultraviolet resistance for color retention. All products are tested in accordance with test specifications for coatings from ASTM and PCI. Standard exterior colors are White (WH), Black (BK), Semi-Matte Black (BL) Bronze (BZ), and Silver (SV). Selux premium colors (SP) are available, please specify from your Selux color selection guide.

5 Year Limited LED Luminaire Warranty - Selux offers a 5 Year Limited Warranty to the original purchaser that the Arca LED luminaire shall be free from defects in material and workmanship for up to five (5) years from date of shipment. This limited warranty covers the LED driver and LED array when installed and operated according to Selux instructions. For details, see "Selux Terms and Condition of Sale."

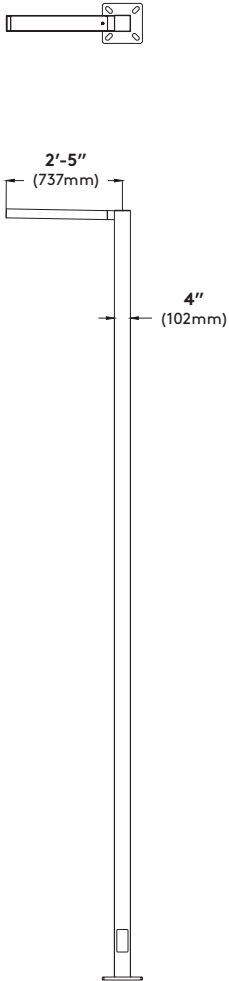
Listings and Ratings: Luminaire and LED tested to IP65, IK08, and IESNA LM-79-08 standards. LED tested to LM-80 standards. Luminaire and LED tested at 25°C ambient temperature. Arca LED suitable for ambient temperatures of 40°C (104°F). Minimum operating temperature of luminaire at -40°C (-40°F). NRTL Listed for wet location (i.e. UL, CSA) Visit selux.us for our LED End of Life recycling policy.

NRTL Listed (i.e. UL, CSA).

For Buy American compliance on poles, please consult the factory.

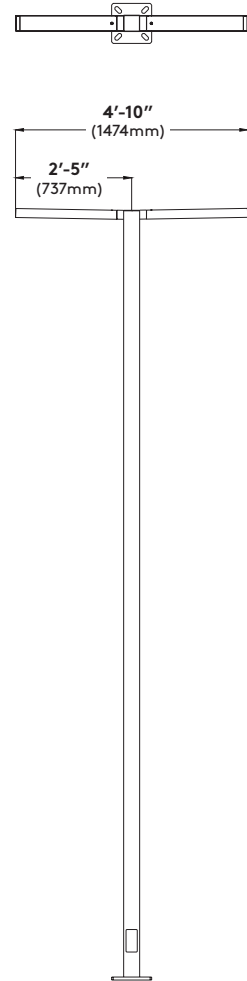
Mounting

Single (S1)
Single pole top mount
(Rivnut Location: 0B)



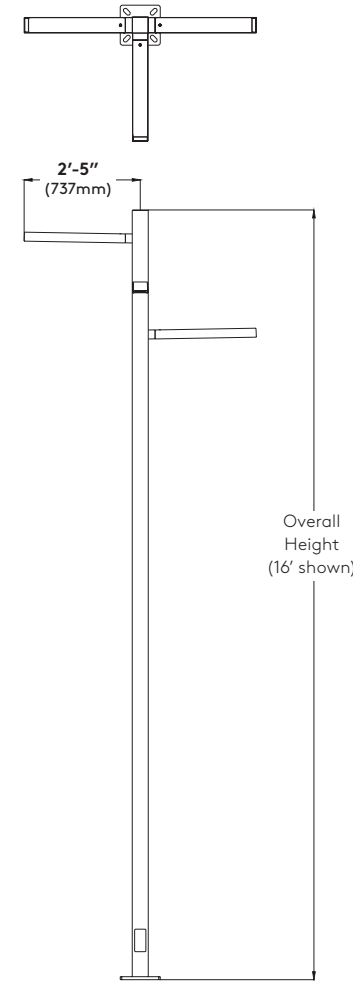
EPA Weight = 12 lbs.
EPA
0.57ft²

Double (S2)
Double pole top mount
(Rivnut Location: 0B-0D)



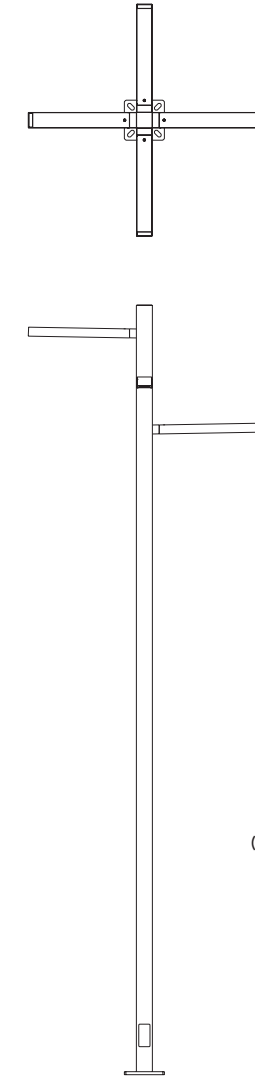
EPA Weight = 24 lbs.
EPA
1.14ft²

Triple (SB3)
Die cast aluminum Sistema lateral
bracket secured in pole side.
(Rivnut Location: 1B-2A-3D)



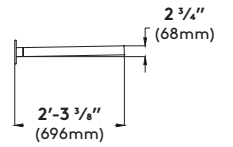
EPA Weight = 36 lbs.
EPA
1.23ft²

Quadruple (SB4)
Die cast aluminum Sistema lateral
bracket secured in pole side.
(Rivnut Location: 1B-2A-3D-4C)

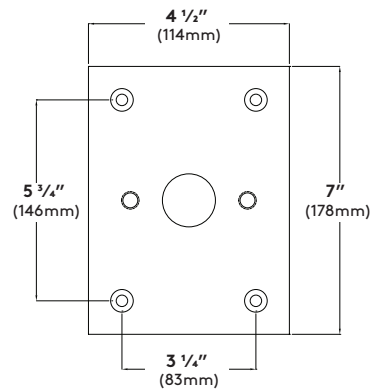


EPA Weight = 48 lbs.
EPA
1.64ft²

Wall Mount (W)
Die cast aluminum single
luminaire mount and steel
mounting plate secured to
wall with 1/4" flat head screws
(by others).

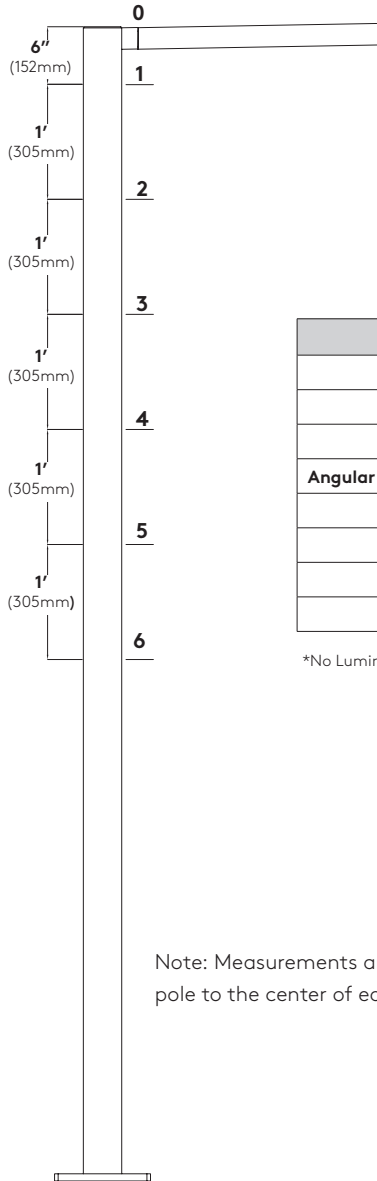


Wall Mounting Detail
(Conduit and mounting hardware
by others).



EPA Weight = 12 lbs.
EPA
0.59ft²

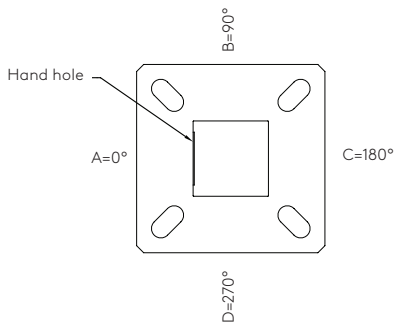
Mounting Detail



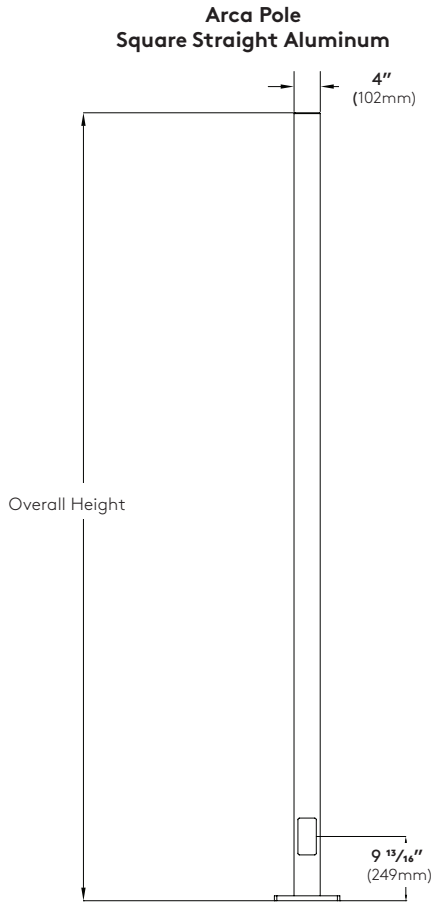
Mounting Configuration							
Height Code	0	1	2	3	4	5	6
Distance from Top of Pole	0.0'	0.5'	1.5'	2.5'	3.5'	4.5'	5.5'
Angular Location Code	Clockwise From Hand hole						
A	0°						
B	90°						
C	180°						
D	270°						

*No Luminaire Below 7.5'

Note: Measurements are from the top of the pole to the center of each fixture

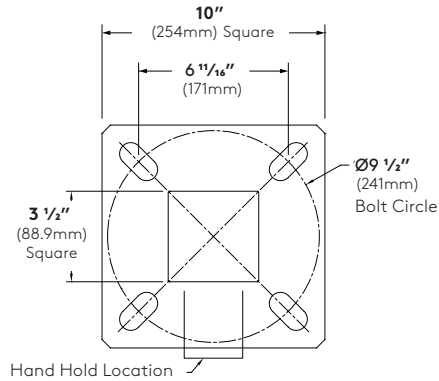


Pole Information



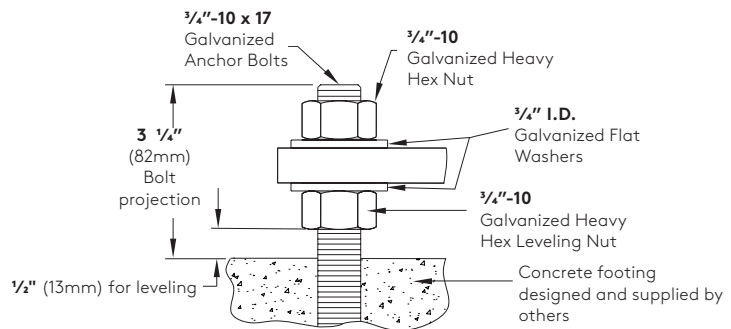
Arca Bolt Circle Template

Use caution when setting anchor bolts. Bolts must be vertically straight and centered on dimensions shown.



Note: Adequate drainage must be provided in concrete foundation.

Arca Anchor Bolt Detail



Pole Data Chart

Pole Series	Bolt Circle	Wall Thickness (in)	EPA Information (ft²) / Basic Wind Speed (MPH)											Height	Finish	Rivnut Pairs	Options
			85	90	100	110	120	130	140	150	160	170	180				
AA40-250 4" Square Aluminum Pole	9 1/2"	0.250"	15.1	13.2	10.1	7.9	6.2	4.9	3.8	3.0	2.3	1.7	1.2	8 ft	WH White	RN1 1 Pair	BC3 Base Cover
			10.9	9.3	6.9	5.1	3.8	2.7	1.9	1.2	0.6	-	-	10 10ft	BK Black	RN2 2 Pair	TLR* Twist Lock Receptacle with 7-Pin Shorting Cap (see page 11)
			7.8	6.5	4.5	3.0	1.9	1.0	-	-	-	-	-	12 12ft	BL Semi-Matte Black	RN3 3 Pair	TLRP* Twist Lock Receptacle 3-Pin with Photocell (see page 11)
			5.4	4.4	2.6	1.3	-	-	-	-	-	-	-	14 14ft	BZ Bronze	RN4 4 Pair	REC GFCI Duplex Receptacle with weatherproof cover
			3.4	2.5	1.0	-	-	-	-	-	-	-	-	16 16ft	SV Silver		REC2 GFCI Duplex Receptacle with weatherproof padlockable in-use cover
			1.2	-	-	-	-	-	-	-	-	-	-	18 18ft	SP Specify Premium Color		REC3 USB & GFCI Duplex Receptacle with weatherproof cover
																REC4 USB & GFCI Duplex Receptacle with weatherproof padlockable in-use cover	
																MSxx* Motion Sensor with optional Photocell (xx = orientation to hand hole, see page 9 for motion sensor order code).	

1) Maximum EPA ratings certified in accordance with AASHTO 2013 (LTS-6-13) for 3-s gust wind speeds based on Allowable Stress Design (ASD) analysis.
 2) Consult factory for equivalent Load and Resistance Factor Design (LRFD) wind speeds.
 3) Rated performance is dependant upon the pole being properly attached to a supporting foundation of adequate design.

Square Pole Motion Sensor

The Selux outdoor rated sensor incorporates Passive Infrared (PIR) Technology for motion sensing and also includes built-in photocell. Sensor comes pre-installed in cast aluminum housing painted to match pole finish.

Series	Hand Hole Orientation	Dim Level	Photocell Feature	Voltage
MS Motion Sensor	00 0° Clockwise from Hand Hole	D0 (Off)	Y Yes	UNV (100-347VAC single phase or 208/230/480VAC phase-to-phase)
	09 90° Clockwise from Hand Hole	D1 (1V=10%)		
	18 180° Clockwise from Hand Hole	D3 (3V=30%)	N No	
	27 270° Clockwise from Hand Hole	D5 (5V=50%)		

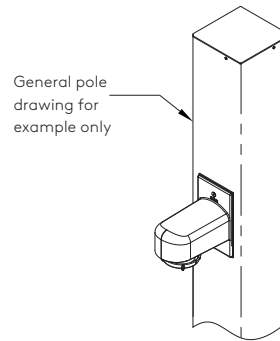
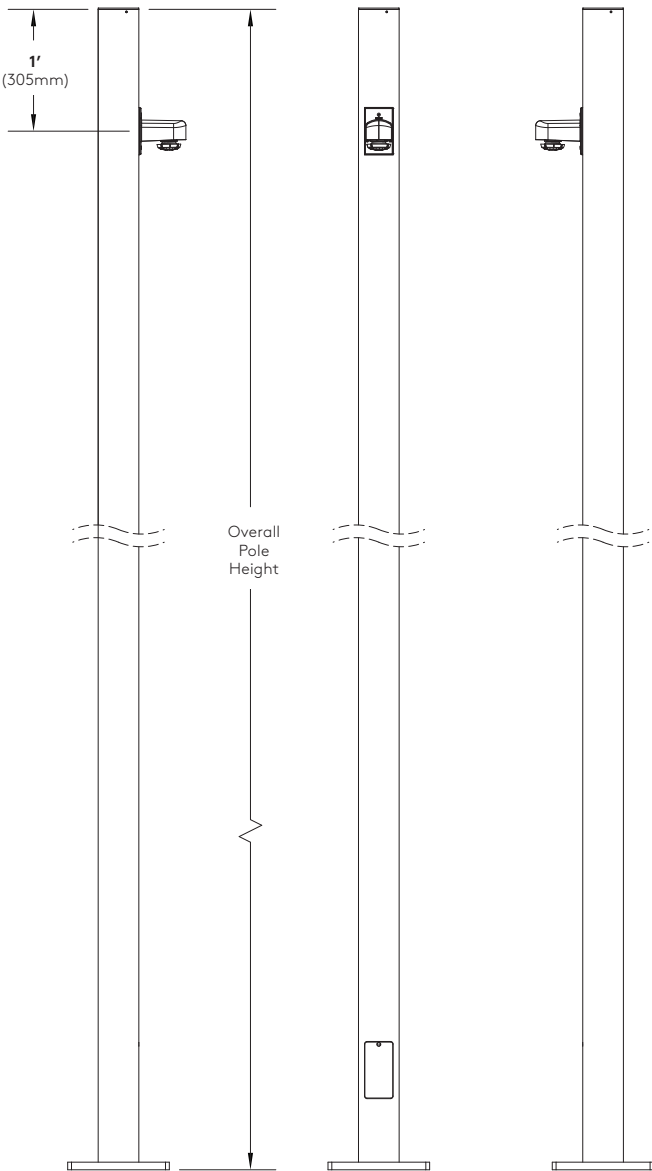
Factory Defaults:

Delay to Dim: 5 minutes

Delay to Off: 1 hour

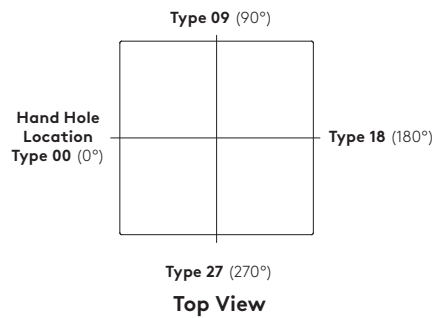
Sensitivity: Max

Custom Programming: Consult Factory



Note: Corners of square pole may impact the sensor coverage.

Sensor angular orientation from hand hole 0° 90° increments clockwise around pole (Type 00, 09, 18, 27)



Motion Sensor Features

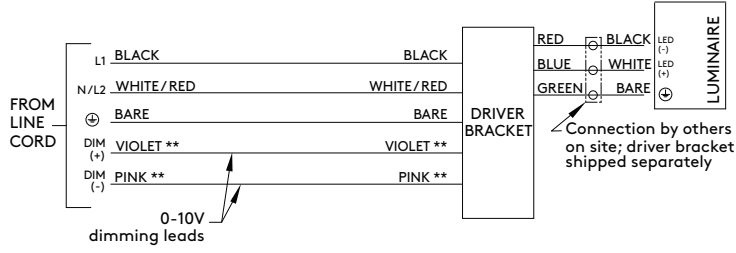
- Customize programming using smartphone application (Refer to the FSP-321 at www.wattstopper.com).
- 5 Year Warranty.
- 100% Digital PIR Detection, excellent RF Immunity.
- 270° coverage pattern.
- IP66 Rated for outdoor applications.
- Made for LED light source.
- Adjustable time delays, max/min dim levels, and ramp rates.
- Suitable for Title 24 applications.

(For coverage details refer to wattstopper FSP-321 spec sheet at www.wattstopper.com).

Arca LED Gen5 5G2 with S1 – Wiring for Double Light Engine with Single Mounting

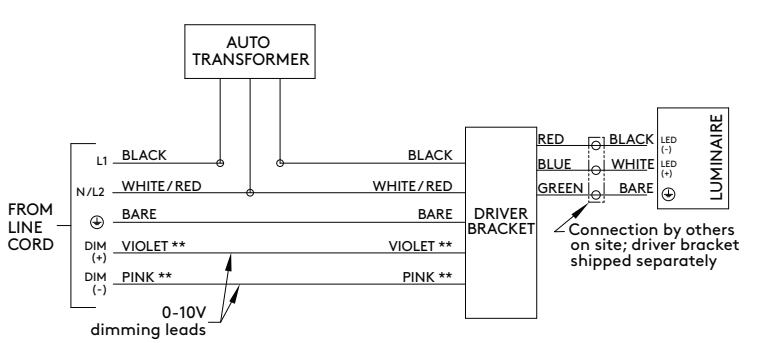
Standard Wiring (120V-480V without Step-down Transformer)

**When dimming is not required cap dimming wires.



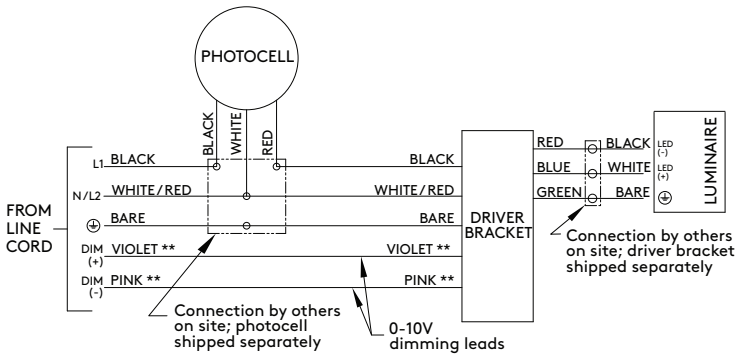
Standard Wiring (347/480V with Step-down Transformer)

**When dimming is not required cap dimming wires.

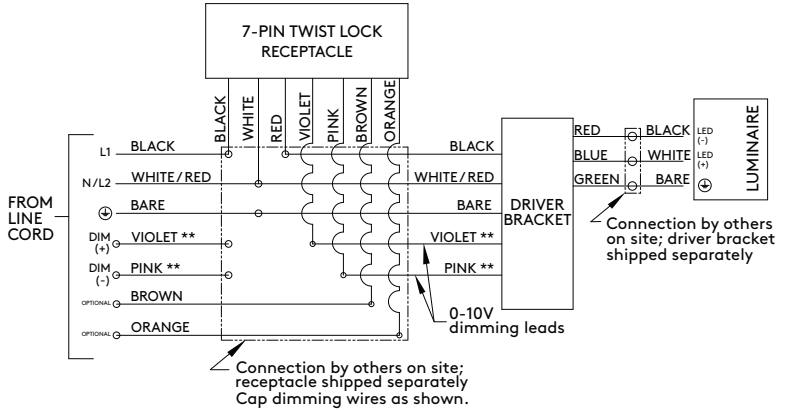


Photocell Option (TLRP) Wiring

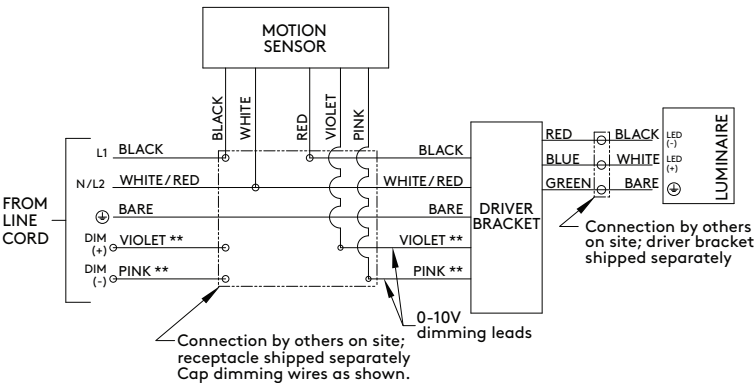
**When dimming is not required cap dimming wires.



7-Pin Twist Lock Receptacle Option (TLR) Wiring



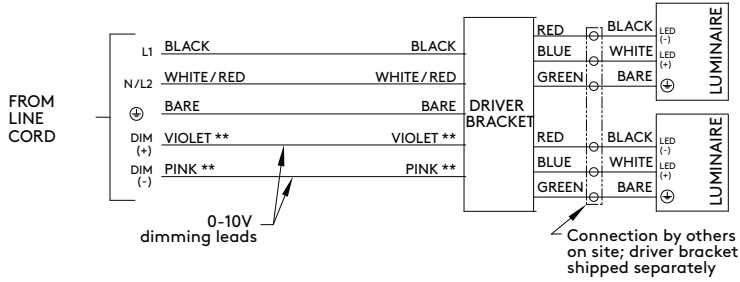
Motion Sensor Option (MS) Wiring (120-277V)



Arca LED Gen5 5G2 with S2 – Wiring for Double Light Engine with Double Mounting

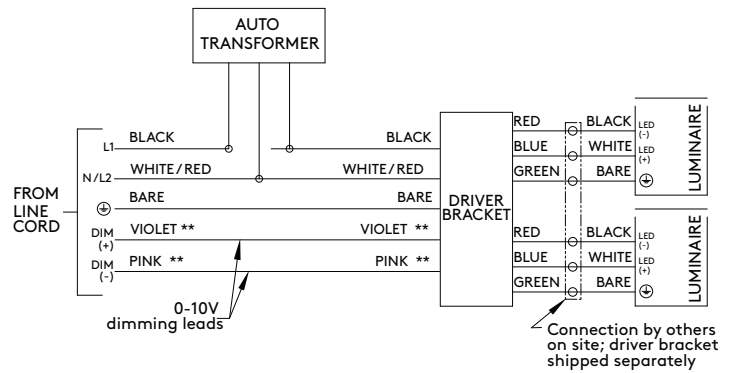
Standard Wiring (120V-480V without Step-down Transformer)

**When dimming is not required cap dimming wires.



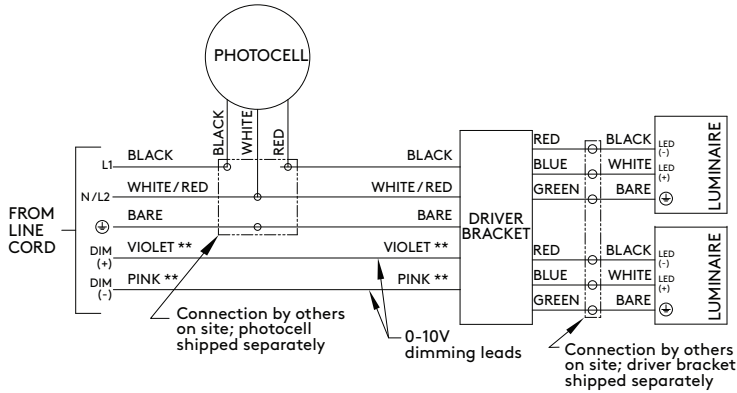
Standard Wiring (347/480V with Step-down Transformer)

**When dimming is not required cap dimming wires.

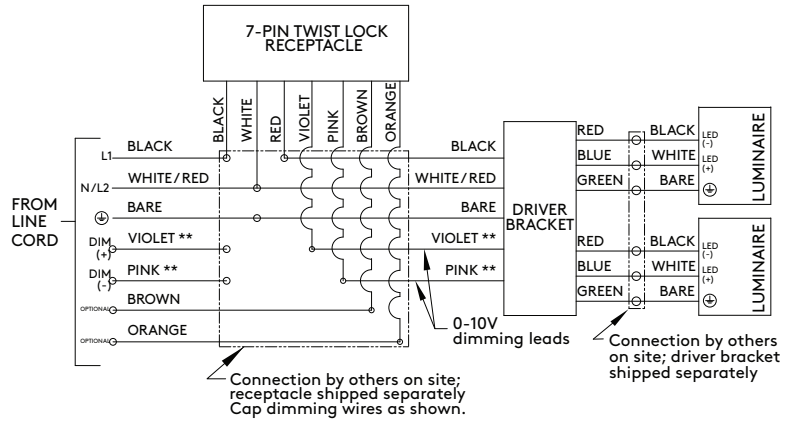


Photocell Option (TLRP) Wiring

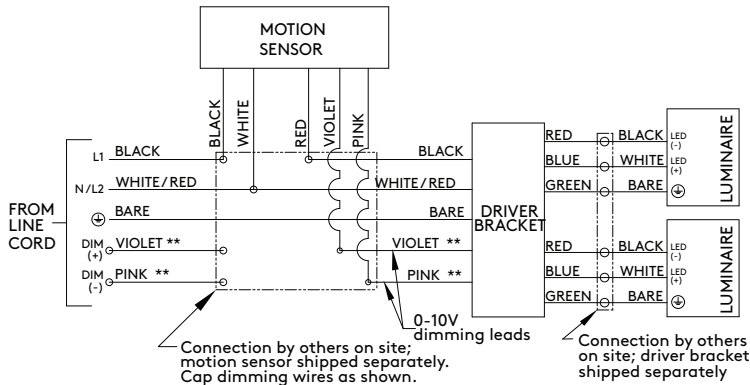
**When dimming is not required cap dimming wires.



7-Pin Twist Lock Receptacle Option (TLR) Wiring



Motion Sensor Option (MS) Wiring (120-277V)

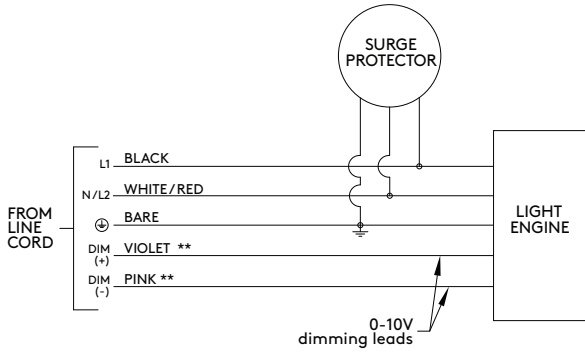


Wire Designation Table		
Source Voltage (VAC)	Wire Color	Wire Designation
120V, 277V, or 347V	Black	L1
	White	Neutral
208V, 240V, or 480V	Black	L1
	Red	L2
UNV (120V-277V)	Black	L1
	White	Neutral (120/277V) or L2 (208/240V)

Arca LED Gen5 5G1 – Wiring for Single Light Engine

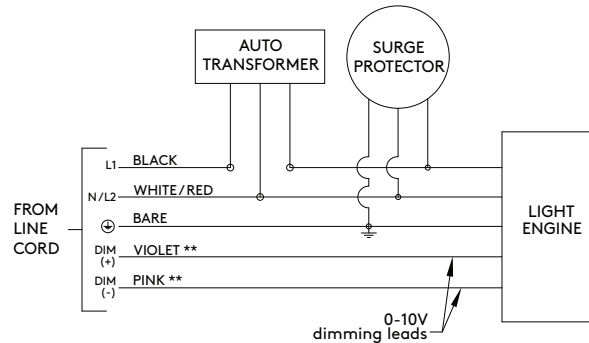
Standard Wiring (120V-277V)

**When dimming is not required cap dimming wires.



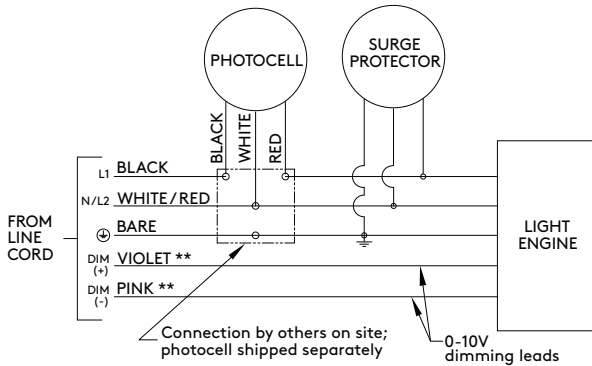
Standard Wiring (347/480V with Step-down Transformer)

**When dimming is not required cap dimming wires.

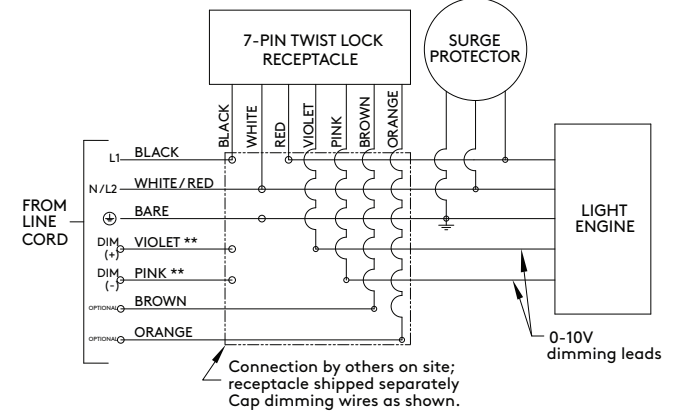


Photocell Option (TLRP) Wiring

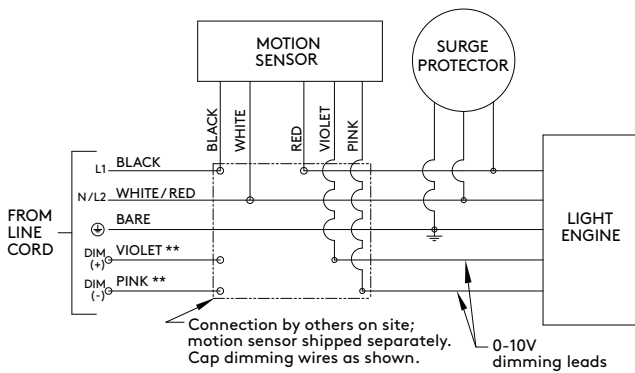
**When dimming is not required cap dimming wires.



7-Pin Twist Lock Receptacle Option (TLR) Wiring



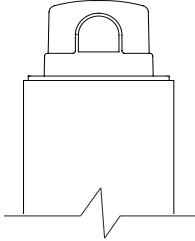
Motion Sensor Option (MS) Wiring (120-480V)



Optional Accessories

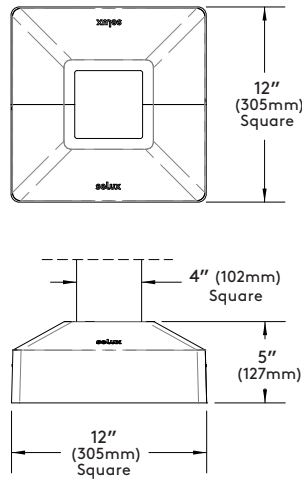
TLR/TLRP

3-pin twist-lock receptacle with photocell or
7-pin twist-lock receptacle with shorting cap.

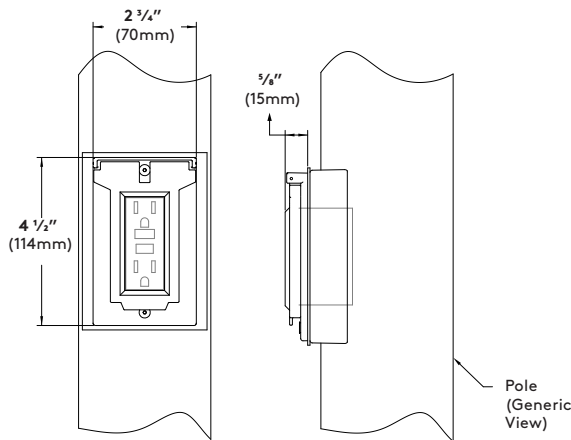


Base Cover (BC)

Optional Base Cover for A-A40 poles only.



REC and REC3

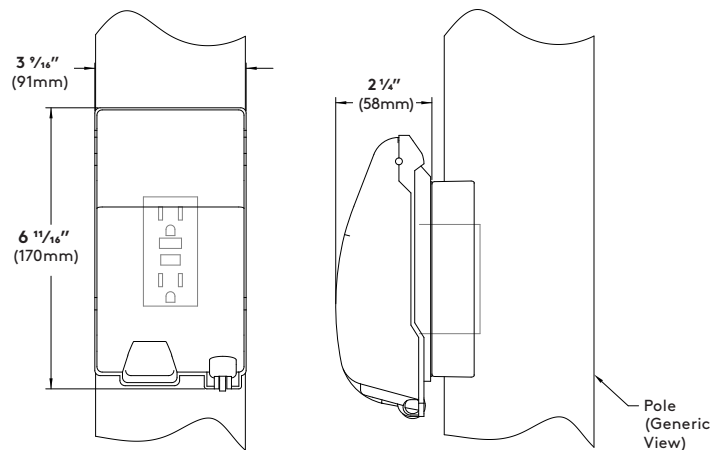


Cover shown in the closed position

GFCI Duplex Receptacle (REC) - 120V 15A GFCI duplex receptacle with weatherproof, self-closing cover; located 36" (914mm) o.c. from base of pole, in-line with hand hole. Receptacle is intended only for portable tools or other portable equipment to be connected to outlet only when attended by operating personnel (120V only).

USB & GFCI Duplex Receptacle (REC3) (not shown) - 120V 15A GFCI duplex receptacle with USB combination ports. (1) USB Type-A and (1) USB Type-C port share 2.0A charging capacity between both ports. Includes weatherproof, self-closing cover; located 36" (914mm) o.c. from base of pole, in-line with hand hole. Receptacle is intended only for portable tools or other portable equipment to be connected to outlet only when attended by operating personnel.

REC2 and REC4

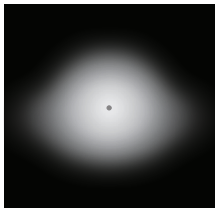


Cover shown in the closed position

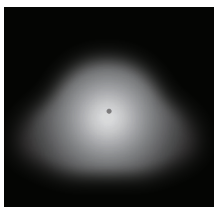
GFCI Duplex Receptacle (REC2) - 120V 15A GFCI duplex receptacle with weatherproof, self-closing, padlockable in-use cover; located 36" (914mm) o.c. from base of pole, in-line with hand hole. Receptacle is intended only for portable tools or other portable equipment to be connected to outlet only when attended by operating personnel (120V only).

USB & GFCI Duplex Receptacle (REC4) (not shown) - 120V 15A GFCI duplex receptacle with USB combination ports. (1) USB Type-A and (1) USB Type-C port share 2.0A charging capacity between both ports. Includes weatherproof, self-closing padlockable in-use cover; located 36" (914mm) o.c. from base of pole, in-line with hand hole. Receptacle is intended only for portable tools or other portable equipment to be connected to outlet only when attended by operating personnel.

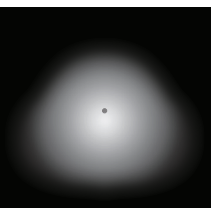
Photometry



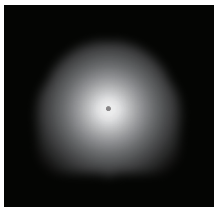
R1 - Distribution Type I					
Light Engine	Lumens	CCT	Input Watts	lm/W	B1-U0-G1
5G1350	2408	3000K	24	105	B1-U0-G1
5G1530	3552	3000K	36	112	B1-U0-G1
5G1800	5129	3000K	54	126	B1-U0-G1
5G2530	5138	3000K	48	105	B1-U0-G1
5G2530	7579	3000K	61	112	B2-U0-G1
5G2800	9844	3000K	100	112	B2-U0-G1



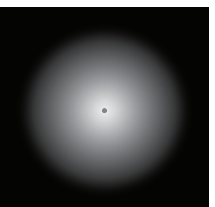
R2 - Distribution Type II					
Light Engine	Lumens	CCT	Input Watts	lm/W	B1-U0-G1
5G1350	2336	3000K	24	97	B1-U0-G1
5G1530	3446	3000K	36	96	B1-U0-G1
5G1800	4975	3000K	54	92	B1-U0-G1
5G2530	4984	3000K	48	104	B1-U0-G1
5G2530	7352	3000K	61	121	B2-U0-G2
5G2800	9549	3000K	100	95	B2-U0-G2



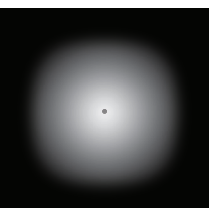
R3 - Distribution Type II					
Light Engine	Lumens	CCT	Input Watts	lm/W	B1-U0-G1
5G1350	2315	3000K	24	96	B1-U0-G1
5G1530	3415	3000K	36	95	B1-U0-G1
5G1800	4930	3000K	54	91	B1-U0-G1
5G2530	4939	3000K	48	103	B1-U0-G1
5G2530	7386	3000K	61	119	B2-U0-G2
5G2800	9563	3000K	100	95	B2-U0-G2



R4 - Distribution Type IV					
Light Engine	Lumens	CCT	Input Watts	lm/W	B1-U0-G1
5G1350	2362	3000K	24	96	B1-U0-G1
5G1530	3485	3000K	36	95	B1-U0-G1
5G1800	5031	3000K	54	91	B1-U0-G1
5G2530	5040	3000K	48	103	B1-U0-G1
5G2530	7435	3000K	61	119	B2-U0-G2
5G2800	9656	3000K	100	95	B2-U0-G2



R5R - Distribution Type V (round)					
Light Engine	Lumens	CCT	Input Watts	lm/W	B1-U0-G0
5G1350	2388	3000K	24	99	B2-U0-G1
5G1530	3522	3000K	36	98	B2-U0-G1
5G1800	5085	3000K	54	94	B2-U0-G1
5G2530	5094	3000K	48	106	B2-U0-G1
5G2530	7515	3000K	61	123	B2-U0-G1
5G2800	9761	3000K	100	98	B3-U0-G1



R5S - Distribution Type V (square)					
Light Engine	Lumens	CCT	Input Watts	lm/W	B1-U0-G0
5G1350	2374	3000K	24	99	B2-U0-G1
5G1530	3502	3000K	36	97	B2-U0-G1
5G1800	5056	3000K	54	94	B2-U0-G1
5G2530	5065	3000K	48	106	B2-U0-G1
5G2530	7472	3000K	61	122	B2-U0-G1
5G2800	9705	3000K	100	97	B3-U0-G1

Photometry

CCT Multiplier	
Amber	0.220
2700K	0.962
3000K	1.000
3500K	1.000
4000K	1.063
5000K	1.070

TM-21-11 Lifetime Calculation					
Light Engine	Ambient Temp (°C)	Lumen Maintenance (% at hours)			Reported L ₈₀
		25K ¹	50K ¹	70K ¹	
5G1350	25°C	99.8%	99.8%	99.8%	L ₇₀ (12k) > 70,000 hours
	40°C	99.8%	99.8%	99.8%	L ₇₀ (12k) > 70,000 hours
5G1530	25°C	99.8%	99.8%	99.8%	L ₇₀ (12k) > 70,000 hours
	40°C	99.8%	99.8%	99.8%	L ₇₀ (12k) > 70,000 hours
5G1800	25°C	99.8%	99.8%	99.8%	L ₇₀ (12k) > 70,000 hours
	40°C	99.8%	99.8%	99.8%	L ₇₀ (12k) > 70,000 hours
5G2350	25°C	99.8%	99.8%	99.8%	L ₇₀ (12k) > 70,000 hours
	40°C	99.8%	99.8%	99.8%	L ₇₀ (12k) > 70,000 hours
5G2530	25°C	99.8%	99.8%	99.8%	L ₇₀ (12k) > 70,000 hours
	40°C	99.8%	99.8%	99.8%	L ₇₀ (12k) > 70,000 hours
5G2800	25°C	99.8%	99.8%	99.8%	L ₇₀ (12k) > 70,000 hours
	40°C	99.1%	98.5%	98.0%	L ₇₀ (12k) > 73,000 hours

¹ Calculated in accordance with IESNA TM-21-11, projected values are within six times (6x) the IESNA LM-80-08 test duration