

Triangular Column

selux

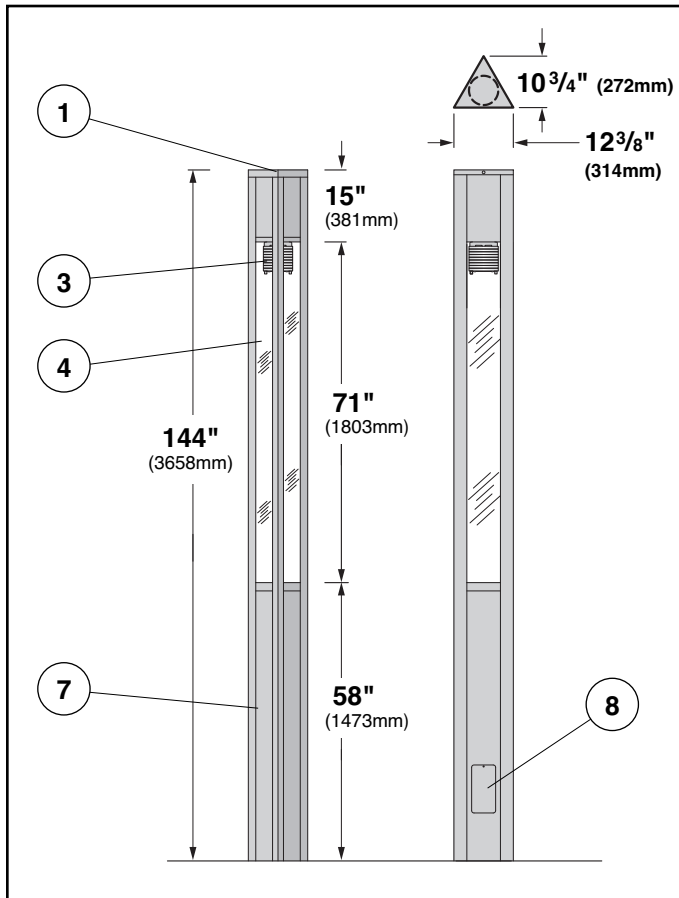


Project: _____

Type: _____ **Qty:** _____

TC - 12 - _____
 Series - Optics - Mounting - Lamping - Finish - Voltage - Options

Series	Optics	Height	Lamping			Finish	Voltage	Options
TC Triangular Column	MA Type III MTR 135* Refractor	12 12 feet	T6 Metal Halide			WH White BK Black BZ Bronze SV Silver SP Specify Premium Color	120 208 240 277 347	HS ⁴ House Side Shield (180°) EB Electronic Ballast
	MS Type V MTR 135* Refractor		Metal Halide					
	SP Type V Silver Louver		HPS					
	WP Type V White Louver		H039T6 ¹ 39wT6	H050 ³ 50w	S050 ³ 50w			
	MR Type V MTR 150** Refractor		H070T6 ² 70wT6	H070 70w	S070 70w			
		H100 100w	S100 100w					
			<small>(T6 only available with MA and MS refractors)</small>					
			<small>¹ Only available in 120v and 277v</small>			<small>² Only for Osram or Philips lamps</small>		
			<small>³ Not available with 347v</small>			<small>⁴ Not available with MA</small>		



1. Fixture Cover - Die-cast aluminum cover is gasketed and removable to allow access for relamping.

2. Gasketing - Continuous gaskets provide weather-proofing, dust, and insect control at all fixture connections.

3. Optics - Select high pressure die-cast aluminum Type V silver or white louver; or Type III or V MTR Refractor. Formed aluminum House-Side Shield available for all Type V Refractors. Clip-on prisms create Type III distribution for MA optics.

4. Clear Lens - Flush tempered glass lens, interior space provided with high reflectance white finish.

5. Lamp (not shown) - Select one coated, base down, medium base ED-17 metal halide up to 100w or high pressure sodium up to 100w; or one G12 base T6 metal halide, up to 70w. Lamp provided by others.

6. Electroblock - (not shown) Magnetic ballast located and accessed through handhole. Pulse rated porcelain, medium base socket is mounted to die-cast aluminum socket cup for maximum heat dissipation and is pre-wired to ballast. Socket cup is attached with two stainless steel

screws and is easily removable for relamping. Consult factory for more detailed ballast information.

7. Column Profile - Extruded 6063-T5 aluminum.

8. Access Door - Flush aluminum hand hole cover with stainless steel, vandal resistant fasteners.

Exterior Luminaire Finish - Selux utilizes a high quality Polyester Powder Coating. All Selux luminaires and poles undergo a five stage intensive pretreatment process where product is thoroughly cleaned, phosphated and sealed. Selux powder coated products provide excellent salt and humidity resistance as well as ultra violet resistance for color retention. All products are tested in accordance with test specifications for coatings from ASTM and PCI.

Standard exterior colors are White (WH), Black (BK), Bronze (BZ), and Silver (SV). Selux premium colors (SP) are available, please specify from your Selux color selection guide.



Photometry

Silver Louver / 70w MH T6

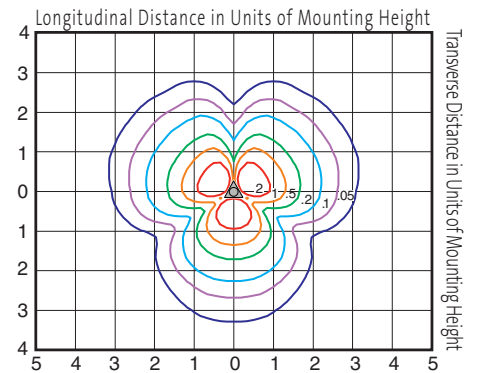
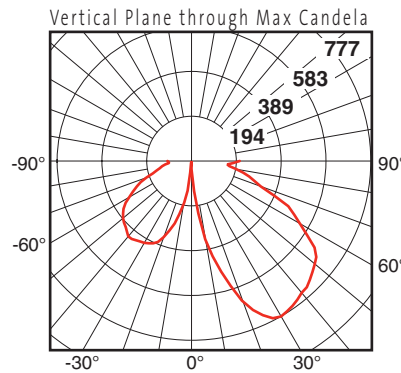
Catalog # TC-SP-12-H070

Test # ITL-55707

- Mirror finish with prismatic underside shields light source and controls glare.
- Resulting “dark light” effect offers superior visual comfort.
- Maximum candela of 777 at 30° from vertical
- IES classification - Type III Semi-Cutoff.

DOWNLOAD IES FILE:

<http://www.selux.com/web/files/exterior/TC-SP-12-H070.zip>



HID Lamp Prorate Table (ED-17 coated, medium base lamp)					
High Pressure Sodium			Metal Halide		
Wattage	Factor	Initial Lumens	Wattage	Factor	Initial Lumens
50	0.70	3700	50	0.64	3400
70	1.09	5800	70	1.00	5300
100	1.66	8800	100	1.47	7800

MTR 135 Refractor / 70w MH T6 / House Side Shield

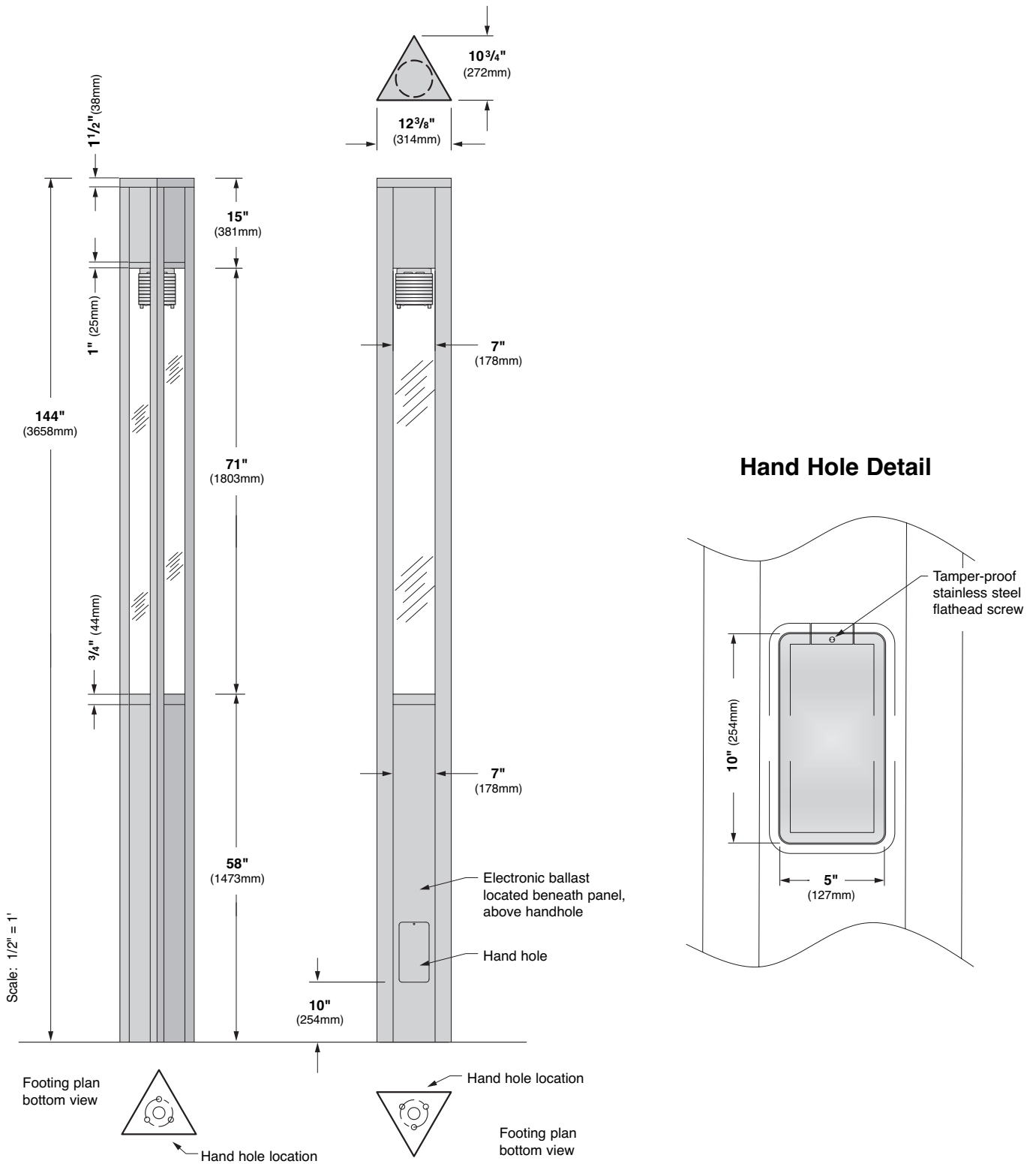
Catalog # TC-MS-12-H070T6-HS

Please consult factory.

Triangular Column

selux

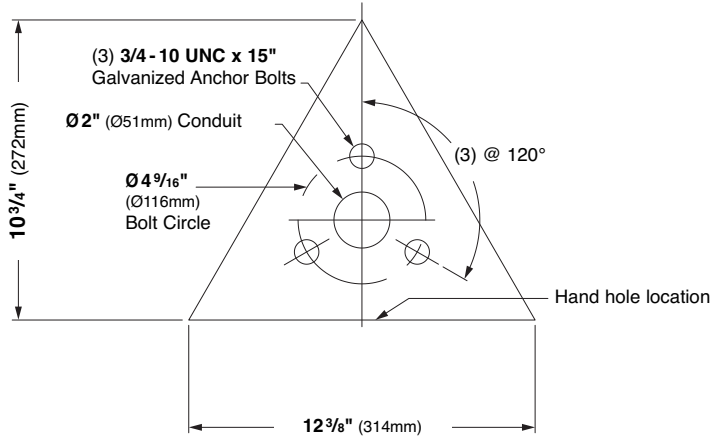
Profile



Options

Bolt Circle

Use caution when setting anchor bolts. Bolts must be vertically straight and centered on dimensions shown.



Note: Adequate drainage must be provided in concrete foundation or grout.

Anchor Bolt Detail

