

# Ritorno® Round Symmetrical

# selux



**Project:** \_\_\_\_\_

**Type:** \_\_\_\_\_ **Qty:** \_\_\_\_\_

Series      Mounting      Height      Lamping      Lamp Color      Finish      Voltage

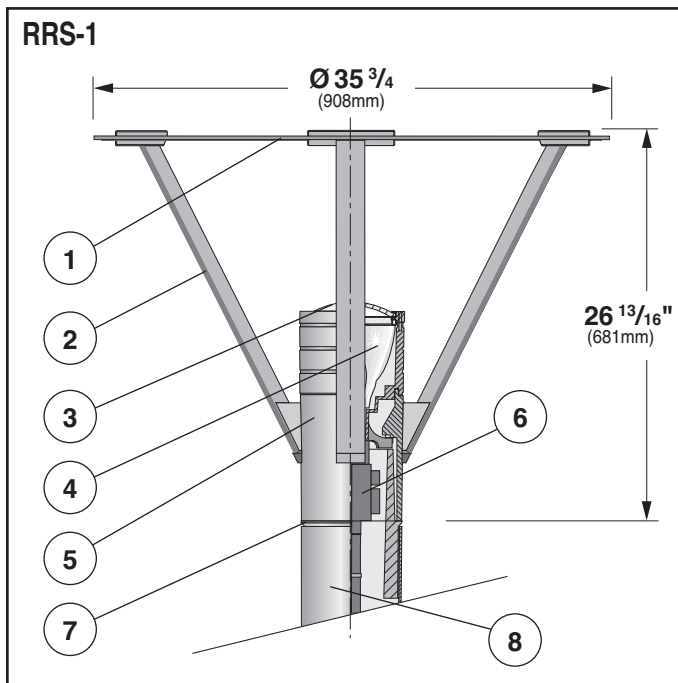
Options

LAMPS SUPPLIED WITH FIXTURE EXCEPT FOR NOL OPTION.

Series	Mounting	Height	Lamping	Lamp Color	Finish	Voltage	Options
<b>RRS</b> Ritorno® Round Symmetrical  <b>RRS LZ</b> Ritorno® Round Symmetrical LEED Zone II compliant (T6 lamping only)	1 Single W Wall Mount	RP10 10 ft.	<b>Metal Halide</b>  H050 50w H070 70w H100 100w H150 150w	NOL No Lamp Supplied 830 3000° K 940 4000° K	WH White BK Black BZ Bronze SV Silver SP Specify Premium Color	120 208 240 277 347	REC <sup>1</sup> GFCI Receptacle w/ weather-proof cover
		RP12 12 ft.					REC <sup>2</sup> GFCI Receptacle w/ padlockable in-use cover  FS <sup>2</sup> Single Fusing  Consult factory for other options.
		RP14 14 ft.					
		RP16 16 ft.					
			<b>T6 Metal Halide</b> H070T6 <sup>2</sup> 70w H150T6 150w	NOL No Lamp Supplied 830 3000° K 942 4200° K			
			<b>HPS</b> S050 <sup>2</sup> 50w S070 70w S100 100w S150 150w	NOL No Lamp Supplied 221 2100° K			
			<b>QL Induction</b> QL85 <sup>1</sup> 85w QL165 <sup>1</sup> 165w	830 3000° K 840 4000° K 850 5000° K			

<sup>1</sup> Not available with 347V- <sup>2</sup> Not available with 240V or 208V





**1. Reflective Shade** - Ø35 3/4" (908mm), minimum 3/16" (4.7mm) thick aluminum reflector shade painted white for maximum reflectivity. Supplied with drip groove around perimeter, to prevent rain marks on underside. Shade attached to fixture arms with low profile stainless steel hardware.

**2. Fixture Arms** - Three natural, marine grade stainless steel with bead-blasted finish, rigidly attach reflector shade to pole fitter.

**3. Lamp Cover** - Heat-tempered convex lens protects lamp and reflector assembly. LZ version uses heat-tempered flush lens. Continuous molded silicone gasket creates sealed optic chamber for weather proofing, dust and insect control. Door pivots open from lamp chamber for relamping. Three captive stainless steel screws secure lamp cover in position.

**4. Lamp** - One coated, base down, medium base ED-17 metal halide or high pressure sodium up to 150w; 70w or 150w ceramic G12 base T6 metal halide (830 - 3000 K); or 85w or 165w QL induction lamp (840 - 4000 K). Other lamps/colors available, consult factory. Lamp supplied with fixture unless otherwise specified.

**5. Optic Chamber** - Die cast aluminum optic chamber houses highly specular precision reflector & 4KV pulse rated medium base socket and lamp. Secures to pole fitter with quarter turn mechanism, locked in place with a single screw. Optic chamber is removable from pole fitter for ballast access, without the necessity of re-moving the fixture head from the pole. LZ version uses dedicated reflector and modified lamp position.

**6. Ballast** - A high-efficiency, pulse start, core and coil ballast factory wired to socket. Removable ballast bracket is secured to optic chamber for ease of maintenance. Consult factory for detailed ballast information.

**7. Pole Fitter** - Die cast aluminum fitter secures fixture arms and reflective shade to pole. Tapered to continue lines from pole.

**8. Pole** - Pole to be aluminum and taper from 5" diameter at the bottom to 7" diameter at the top. Pole wall thickness to be minimum 0.156 thick, supplied with a 3" x 5" hand hole, with cast 356 aluminum tempered to a T6 condition reinforced frame, with integral ground lug connection and gasketed flush fitting door.

**9. Base Cover** - (not shown) Standard two-piece base cover is made from die-cast 356 alloy aluminum which is heat treated to produce a T6 temper, measuring 41/2" (115mm) height by 121/2" (316mm) diameter.

**Exterior Luminaire Finish** - Selux utilizes a high quality Polyester Powder Coating. All Selux luminaires and poles are finished in our Tiger Drylac certified facility and undergo a five stage intensive pretreatment process where product is thoroughly cleaned, phosphated and sealed. Selux powder coated products provide excellent salt and humidity resistance as well as ultra violet resistance for color retention. All products are tested in accordance with test specifications for coatings from ASTM and PCI.

Standard exterior colors are White (WH), Black (BK), Bronze (BZ), and Silver (SV). Selux premium colors (SP) are available, please specify from your Selux color selection guide.

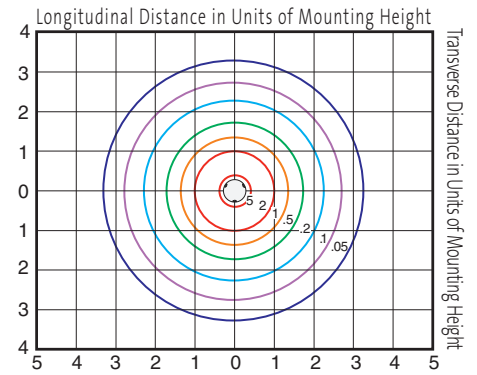
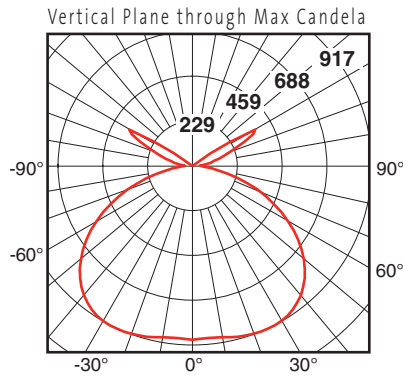
## Photometry

### 150w Metal Halide

**Catalog # RRS-1-H150**  
**Report # ITL-15625**

- Maximum candela of 917 at 25° and -25° from vertical.
- IES classification = Type V Semi-Cutoff.

DOWNLOAD IES FILE:  
[http://www.selux.us/fileadmin/us/exterior/ies\\_file/RRS\\_IES.zip](http://www.selux.us/fileadmin/us/exterior/ies_file/RRS_IES.zip)

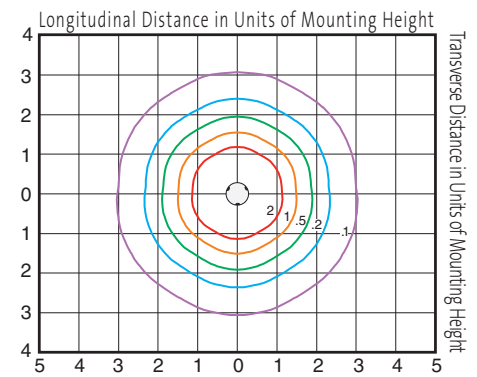
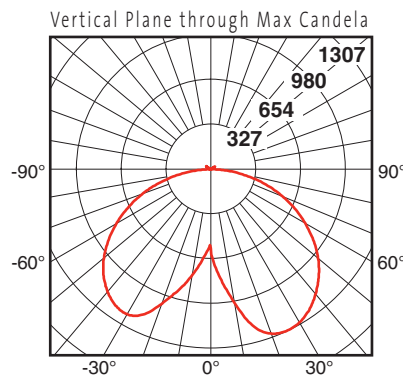


### 150w T6 Metal Halide / LZ Option

**Catalog # RRS-LZ-1-H150T6**  
**Report # ITL-16632**

- Maximum candela of 1307 at 26° from vertical.
- IES classification = Type III Cutoff.
- LEED Zones II - IV compliant.
- Has heat-tempered flush lens, dedicated reflector, & modified lamp position.

DOWNLOAD IES FILE:  
[http://www.selux.us/fileadmin/us/exterior/ies\\_file/RRS\\_IES.zip](http://www.selux.us/fileadmin/us/exterior/ies_file/RRS_IES.zip)

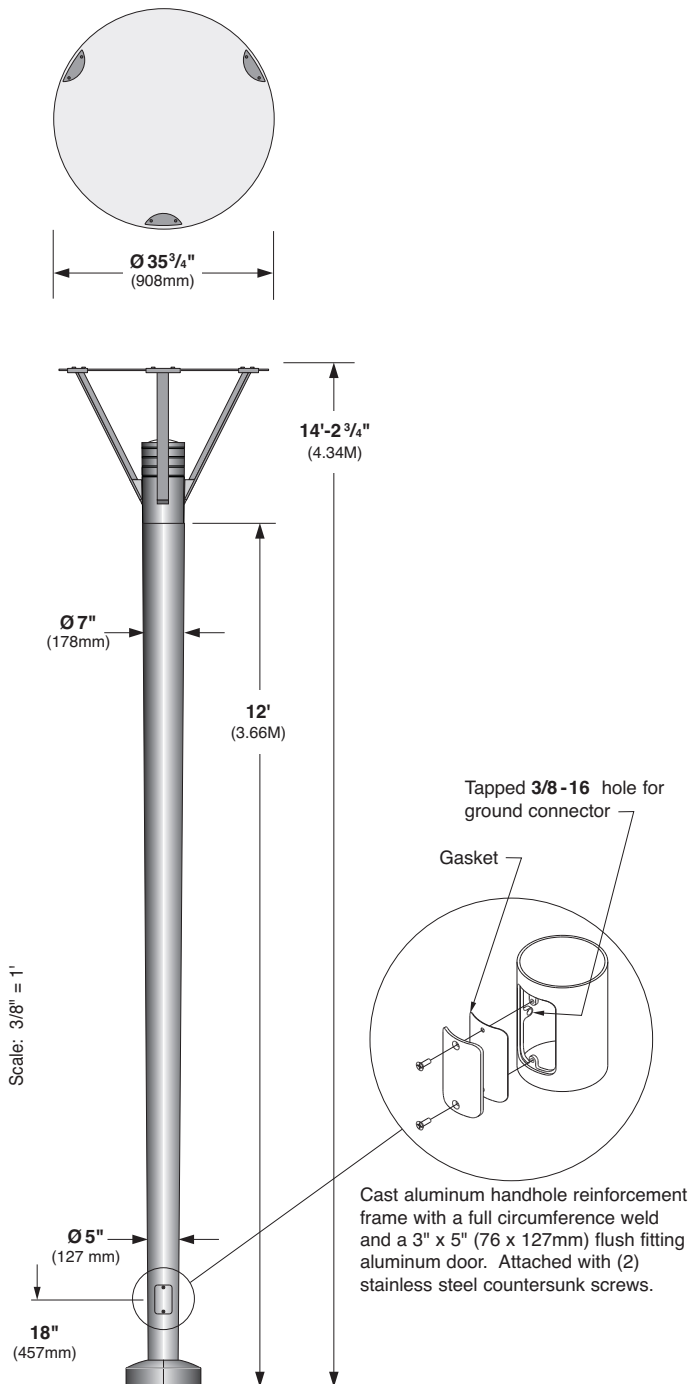


HID Lamp Prorate Table					
High Pressure Sodium			Metal Halide		
Wattage	Factor	Initial Lumens	Wattage	Factor	Initial Lumens
50	0.29	3800	50	0.30	4000
70	0.45	5950	70	0.45	6000
100	0.66	8800	100	0.68	9000
150	1.12	15000	150	1.00	13300

Conversion Chart	
Values based on 12' mounting height.	
Mounting Height	Multiply
10'	1.10
12'	1.00
14'	0.93
16'	0.87

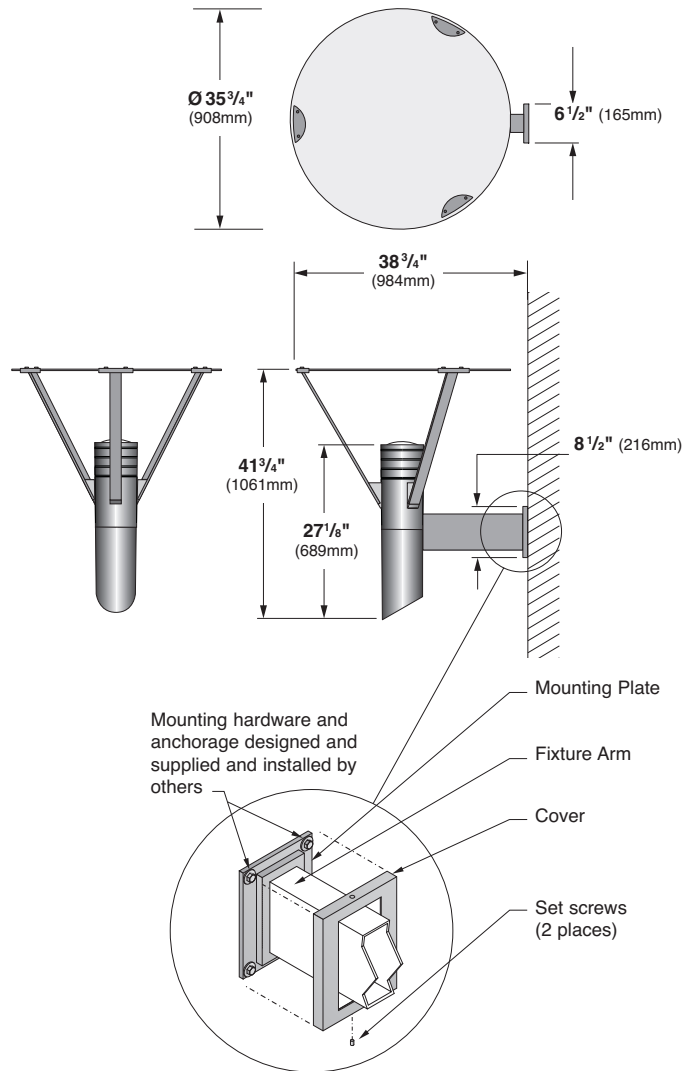
## Photometry

Single

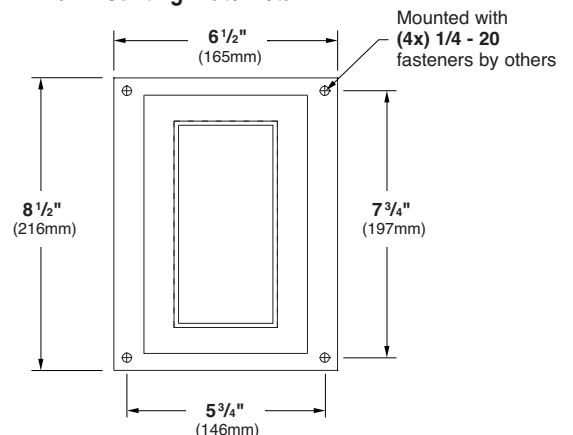


Effective Projected Area of Single Luminaire = 1.7 ft<sup>2</sup> (0.157m<sup>2</sup>)  
 Weight of Luminaire = 60.0 lbs (27.3kg) Pole and luminaire engineered to withstand 120mph wind (+1.3 gust) as per AASHTO standards.

Wall Mount

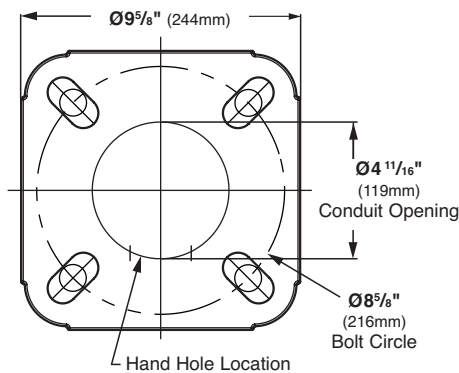


### Wall Mounting Plate Detail



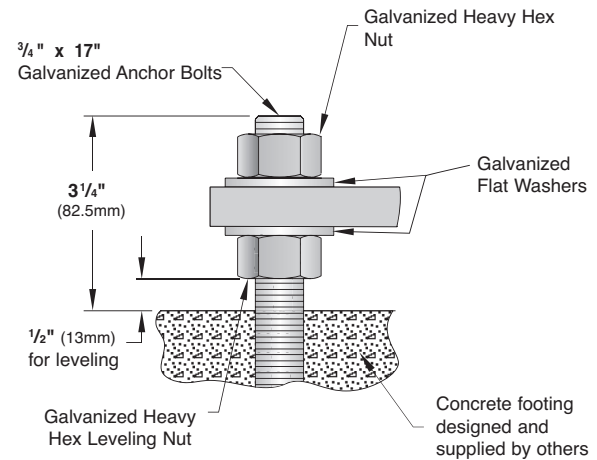
## Bolt Circle

Use caution when setting anchor bolts. Bolts must be vertically straight and centered on dimensions shown.



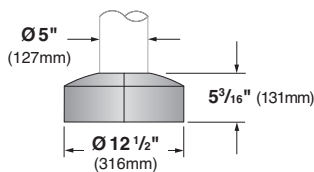
**Note:** Adequate drainage must be provided in concrete foundation.

## Anchor Bolt Detail



## BC3 Standard Base Cover

Die-cast aluminum, two-piece field installable base cover.



## Ritorno Reverse Taper Pole (5" to 7")

EPA values calculated as per AASHTO LTS4 2001, to include fixture. Consult factory for heights other than 12'.

Pole Height	Windspeed					
	70	80	90	100	110	120
10'	16.70	12.34	9.31	7.19	5.62	4.42
12'	13.60	9.86	7.27	5.46	4.11	
14'	10.13	7.06	5.02			
16'	8.25	5.53				

**All Poles** are constructed per AASHTO standards for structural supports for highway signs, luminaires and traffic signals as published in 1975, amended and adopted in 1985 and 1994.

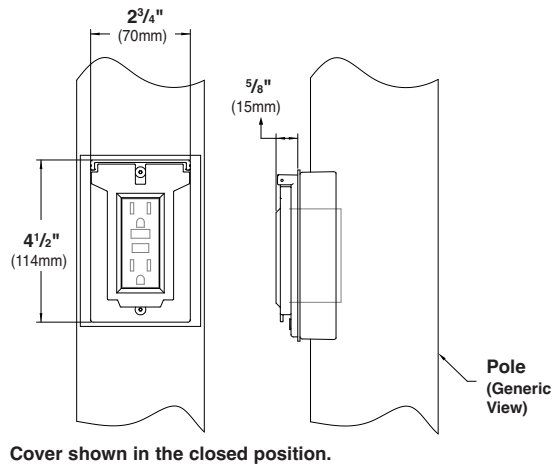
A consideration of field conditions such as (but not limited to) wind zone, height, vibration must be given by the designer/specifier for the appropriate application.

Performance of poles is dependent upon proper support/attachment of pole to adequate foundation design. Selux does not design or offer recommendations for foundations. EPA values assume that the bottom of the pole is at grade level.

Call Selux (1-800-SELUXCS) if there are any questions, or for any assistance in determining suitability with appropriate fixtures.

## Optional Accessories

**GFCI Receptacle with flat cover (REC)** - 120V 15A GFCI duplex receptacle with weather-proof, self-closing cover; located 36" (915mm) from base of pole, inline with handhole. Receptacle is intended only for portable tools or other portable equipment to be connected to outlet only when attended by operating personnel. For use with 120v applications only, for other fixture voltages, please consult factory for wire segregation requirements.



**GFCI Receptacle with in-use cover (REC2)** - 120V 15A GFCI duplex receptacle with weather-proof, self-closing padlockable in-use cover; located 36" (915mm) from base of pole, inline with handhole. Receptacle is intended only for portable tools or other portable equipment to be connected to outlet only when attended by operating personnel. For use with 120v applications only, for other fixture voltages, please consult factory for wire segregation requirements.

