

Date: \_\_\_\_\_ Customer: \_\_\_\_\_  
 Project: \_\_\_\_\_  
 Type: \_\_\_\_\_ Qty: \_\_\_\_\_



## Ritorno LED Retrofit Kit



Order Code: RLRK - \_\_\_\_\_ - \_\_\_\_\_ - \_\_\_\_\_ - \_\_\_\_\_ - \_\_\_\_\_ - \_\_\_\_\_

<u>RLRK</u>	Series	<b>RLRK</b> Ritorno LED Retrofit Kit				
	Mounting	<b>RRA</b> Ritorno Round Asymmetrical	<b>RRS</b> Ritorno Round Symmetrical	<b>RSA</b> Ritorno Square Asymmetrical		
	Light Engine	<b>2G350</b> 350 mA/43W	<b>2G500</b> 500 mA/59W	<b>2G700</b> 700 mA/84W	<b>2G900</b> 900 mA/109W	<b>2G105</b> 1050 mA/123W
	CCT	<b>30</b> 3000K	<b>40</b> 4000K	*For other CCT please consult factory		
	Finish	<b>WH</b> White	<b>BK</b> Black	<b>BL</b> Semi-Matte Black	<b>BZ</b> Bronze	<b>SV</b> Silver
	Voltage	<b>120</b>	<b>208</b>	<b>277</b>	<b>347*</b>	<b>480*</b> *Equipped with step-down transformer
	Options	<b>DM</b> Dimming (0-10V)	<b>HL50</b> Hi-Lo 50% Switching See p. 3 for details			

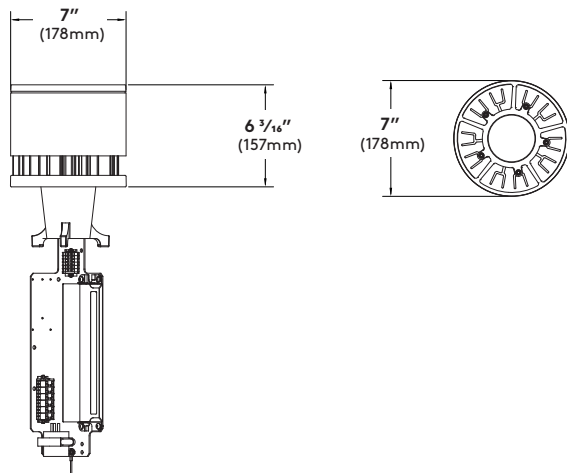
### Product Modifications

Please list modification requirements for review by factory:

### Approvals



Date: \_\_\_\_\_



## Specifications

**Ritorno LED Retrofit Kit (RLRK)** - Ritorno LED Retrofit Kit is a completely sealed (IP65) LED cast housing assembly. The RLRK is designed to update existing pole and wall mounted Ritorno HID luminaires to LED. The RLRK can be used to easily update existing RRA, RRS, and RSA luminaires in the field. Please refer to installation/update instructions provided with retrofit kit. Replacement can match existing HID luminaires one for one, up to 150W.

**LED Light Engine** - High efficacy LED light engine with reported 60,000 hour+ life until L70. Available with 3000K, or 4000K CCT and a CRI of 80.

**LED Driver** - High power factor, High efficiency constant current LED driver. 120-277 VAC input. Protection class IP67.

**Surge Protection** - 3-Pole Surge protection device safeguards electrical components from indirect lighting strikes and surges up to (10kA and 10kV).

**Exterior Luminaire Finish** - Selux utilizes a high quality Polyester Powder Coating. All Selux luminaires and poles are finished in our Tiger Drylac certified facility and undergo a five stage intensive pretreatment process where product is thoroughly cleaned, phosphated and sealed. Selux powder coated products provide excellent salt and humidity resistance as well as ultraviolet resistance for color retention. All products are tested in accordance with test specifications for coatings from ASTM and PCI.

Standard exterior colors are White (WH), Black (BK), Semi-Matte Black (BL), Bronze (BZ), and Silver (SV). Selux premium colors (SP) are available, please specify from your Selux color selection guide.

**5 Year Limited LED Luminaire Warranty** - Selux offers a 5 Year Limited Warranty to the original purchaser that the Ritorno LED luminaire shall be free from defects in material and workmanship for up to five (5) years from date of shipment. This limited warranty covers the LED driver and LED array when installed and operated according to Selux instructions. For details, see "Selux Terms and Condition of Sale."

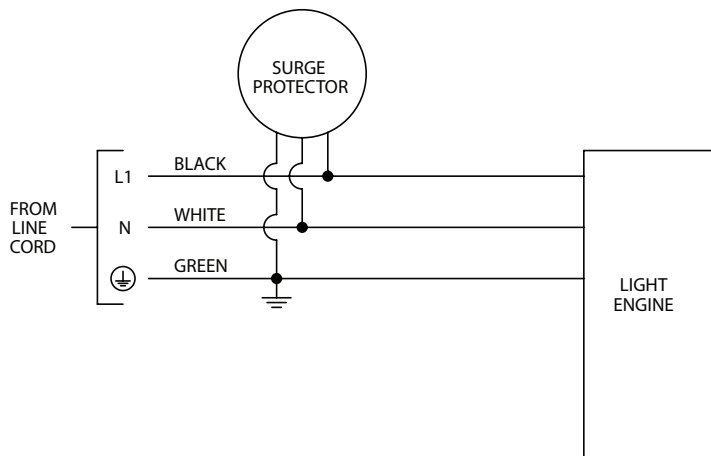
**Listings and Ratings:** Luminaire and LED tested to IP65 and IESNA LM-79-08 standards. LED tested to LM-80 standards. Luminaire and LED tested at 25°C ambient temperature.

**NRTL Listed (i.e. UL, CSA)**

**Visit [selux.us](http://selux.us) for our LED End of Life recycling policy.**

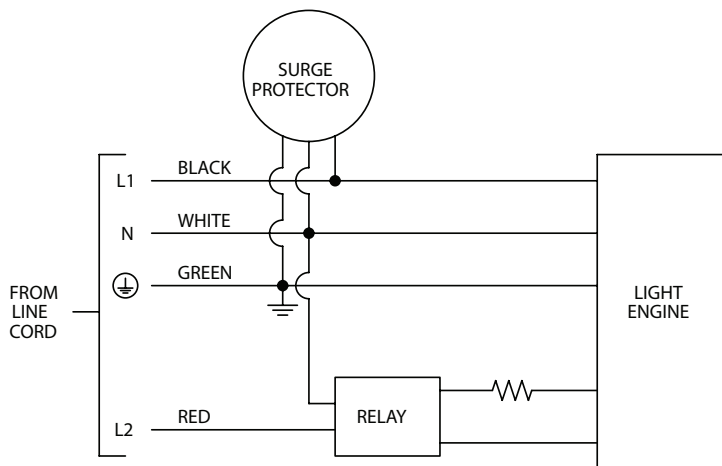
**Wiring**

**Standard Single Wiring**



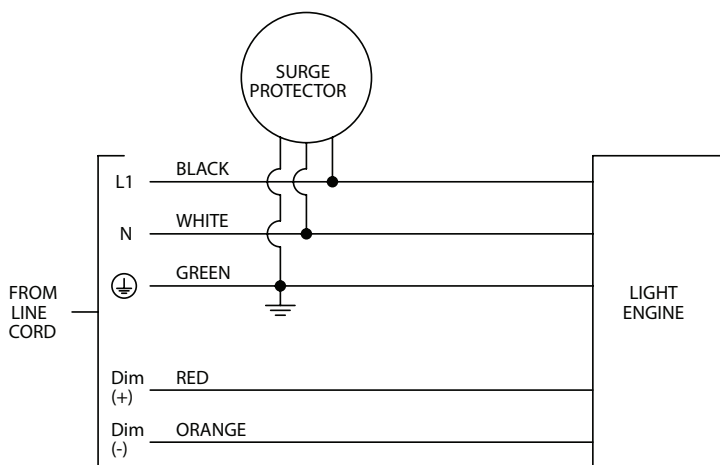
**Hi-Lo Switching Option (HL) Wiring**

2G350, 2G500, 2G700, 2G105, 120V, 240V, 277V. When red is energized, light output will be at "Lo" level. Standard HL level: HL50 = low output 50%



**0-10V Dimming Option (DM) Wiring**

2G350, 2G500, 2G700, 2G105, 120-277V  
(347V and 480V available with step-down transformer)



**347/480 V**

