

Date: _____ Customer: _____
 Project: _____
 Type: _____ Qty: _____



Quadrolisk LED



Order Code: QDLL - _____ - _____ - _____ - _____ - _____ - _____ - _____

Pole Order Code: _____ - _____ - _____ - _____

Series Height Finish Options

<u>QDLL</u>	Series	QDLL Quadrolisk LED					
	Optics	TS Tritec Symmetric	TA Tritec Asymmetric				
	Height	12 12'	14 14'				
	Light Engine	L26 26W	L50 50W				
	CCT	30 3000K	40 4000K				* For other CCT please consult factory
	Finish	WH White	BK Black	BL Semi-Matte Black	BZ Bronze	SV Silver	SP Specify Premium Color
	Voltage	UNV 120-277V	120² 120V	240² 240V	277² 277V	347¹ 347V	480¹ 480V ¹ Equipped with step down transformer ² Specify for HLXX options
	Options	HS House Side Shield (180°)	PCT Photocell Tenon See page 4	DM³ Dimming (0-10V)	HL30^{3,4} Hi-Lo Switching Low Output 30%	HL50^{3,4} Hi-Lo Switching Low Output 50%	³ DM or HLXX only. Cannot be combined. ⁴ DM or HL 120V, 240V or 277V only

Product Modifications

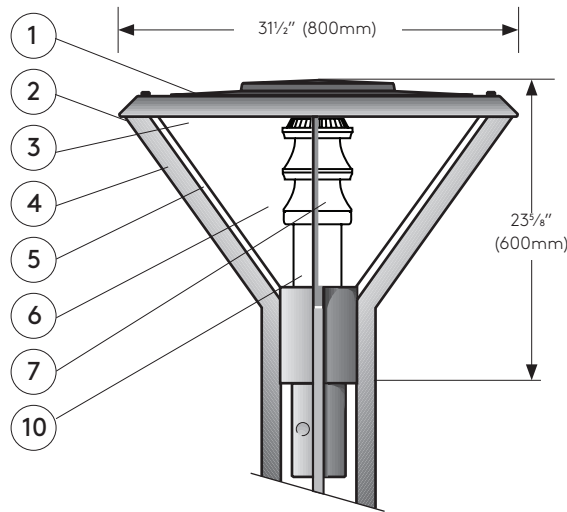
Please list modification requirements for review by factory:

Approvals



Date: _____

QDLL



Specifications

1. Fixture Cover - Formed aluminum cover with white painted interior for maximum reflectivity. Removes by loosening four captive stainless steel screws for easy access to lamp chamber.

2. Gasketing - Continuous molded neoprene gasket provides weatherproofing, dust, and insect control for all fixture connections.

3. Frame Ring - Formed aluminum ring with fixture cover screw retaining hardware. Ring attaches to fixture frame arms.

4. Fixture Frame/Pole - Four formed steel arms with round steel connecting rings form lattice style assembly.

5. Globe - Vacuum-formed, one piece clear U.V. stabilized polycarbonate.

6. LED Array - Mid power LEDs mounted to metal core PCB and attached to external heatsink for maximum thermal performance and life. CCT tolerance within a 3 step bin and provided with a minimum CRI of 80. LED light engine has a reported lumen maintenance of 93% at 50,000 hours. L70 calculated greater than 100,000 hours.

7. LED Optics - Symmetric or Asymmetric distributions created by conical textured reflector and patterned acrylic reveal with alternate LED PCB layouts. Type V and Type IV IES distribution types. An indirect lighting effect spreads brightness and improves visual appearance.

8. LED Driver (not shown) - LEDs are driven by RoHS compliant constant current programmable LED driver. Driver includes 0-10V dimming to 10% and meets the requirements of IP66. Driver located inside e-block tube within clear outer cylinder.

9. Surge Protector - Independent surge protection device designed to protect luminaire from electrical surge up to 10kA standard. 20kA surge protector optional.

10. Pole Fitter - Self-leveling, die-cast aluminum, fitter base secured to pole with two stainless steel Allen head set screws. For 3 1/2" (90mm) O.D. poles.

Exterior Luminaire Finish -

Selux utilizes a high quality Polyester Powder Coating. All Selux luminaires and poles are finished in our Tiger Drylac certified facility and undergo a five stage intensive pretreatment process where product is thoroughly cleaned, phosphated and sealed. Selux powder coated products provide excellent salt and humidity resistance as well as ultra violet resistance for color retention. All products are tested in accordance with test specifications for coatings from ASTM and PCI.

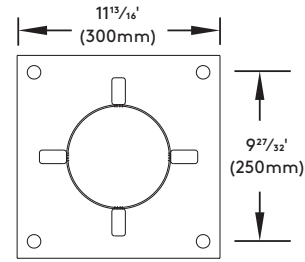
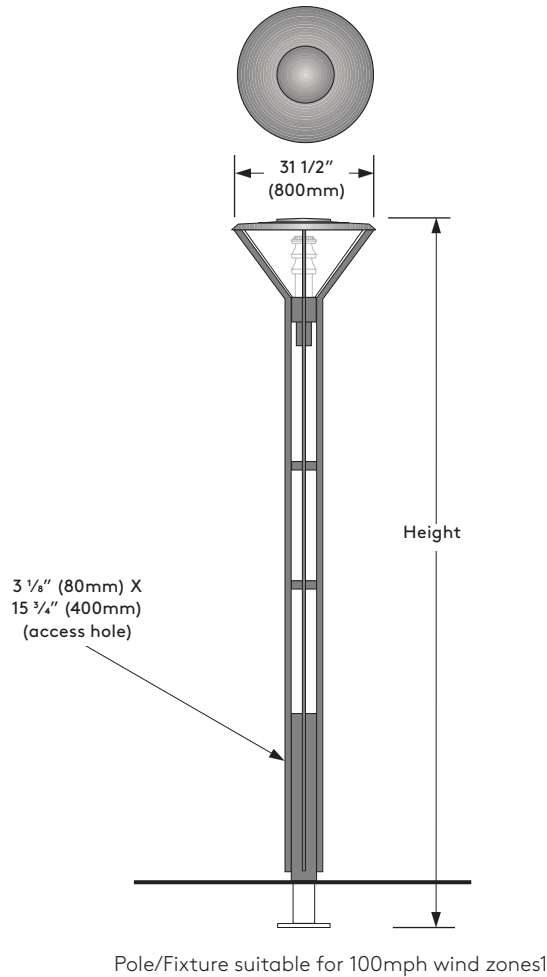
5 Year Limited LED Luminaire Warranty -

Selux offers a 5 Year Limited Warranty to the original purchaser that the Exelia LED luminaire shall be free from defects in material and workmanship for up to five (5) years from date of shipment. This limited warranty covers the LED driver and LED array when installed and operated according to Selux instructions. For details, see "Selux Terms and Condition of Sale."

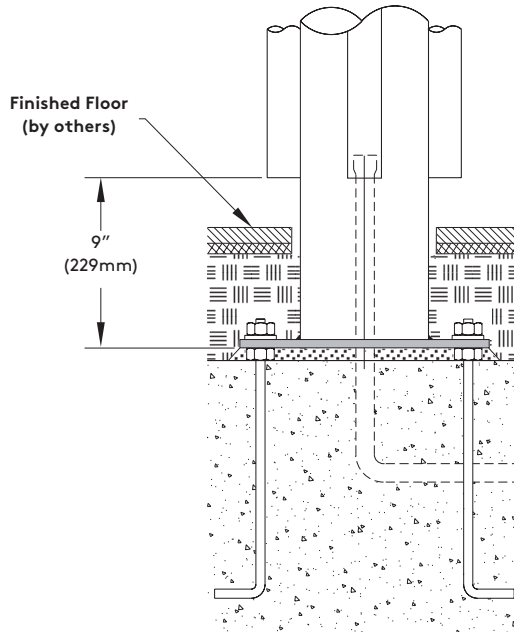
Mounting

Quadrolisk utilizes the same inverted cone pole top fixture as the Quadro 1, however, the integral, lattice construction of the pole provides a unique elegance to prestigious pedestrian areas, shopping malls, and commercial zones.

Lattice steel pole is welded to a 7/16" (10mm) thick steel plate, supplied with anchor bolts and template.



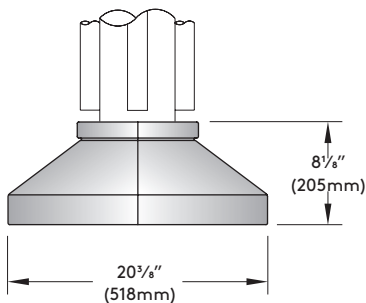
Sub conduit 6" (53mm) above footing.



Suggested anchor bolt projection 2" (50mm). Galvanized steel anchor bolts 3/4" x 15" (19mm x 381mm). Concrete footing to be designed by others.

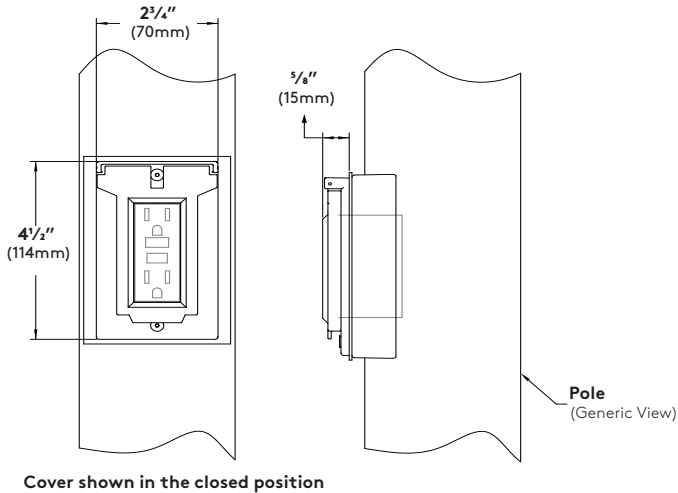
BC9 Optional Base Cover

Die-cast aluminum, two-piece field installable base cover.

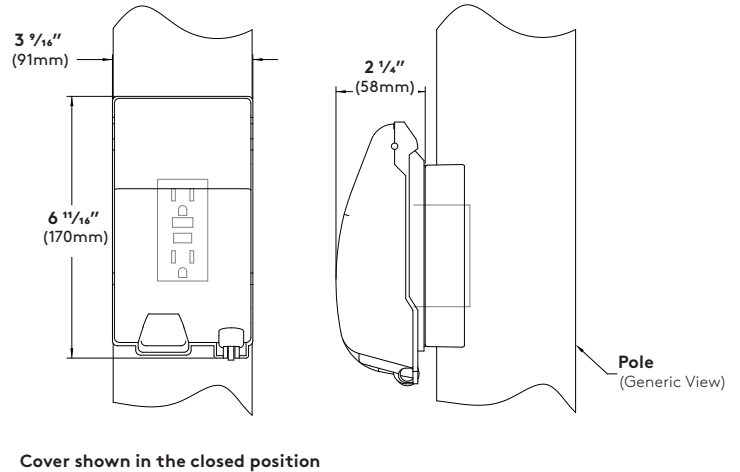


Optional Accessories

GFCI Receptacle (REC) - 120V 15A GFCI duplex receptacle with weather-proof, self-closing cover; located 36" (915mm) from base of pole, inline with handhole. Receptacle is intended only for portable tools or other portable equipment to be connected to outlet only when attended by operating personnel.



GFCI Receptacle (REC2) - 120V 15A GFCI duplex receptacle with weather-proof, self-closing padlockable in-use cover; located 36" (915mm) from base of pole, inline with handhole. Receptacle is intended only for portable tools or other portable equipment to be connected to outlet only when attended by operating personnel.



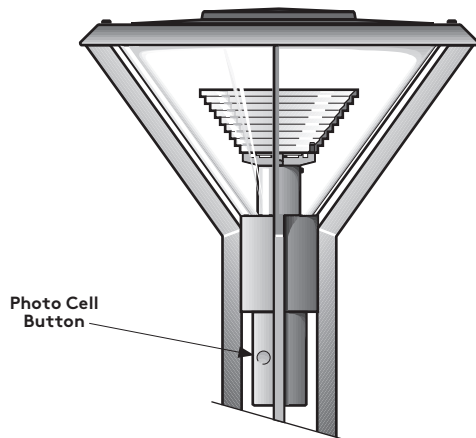
USB & Duplex Receptacle (REC3) (not shown) - 120V 15A duplex receptacle with USB combination ports. (1) type A and (1) type C high power 5 Amp, 5 Volt USB outlets. With weatherproof, self-closing cover; located 36" (915mm) from base of pole, inline with handhole. Receptacle is intended only for portable tools or other portable equipment to be connected to outlet only when attended by operating personnel.

USB & Duplex Receptacle (REC4) (not shown) - 120V 15A duplex receptacle with USB combination ports. (1) type A and (1) type C high power 5 Amp, 5 Volt USB outlets. With weatherproof, self-closing padlockable in-use cover; located 36" (915mm) from base of pole, inline with handhole. Receptacle is intended only for portable tools or other portable equipment to be connected to outlet only when attended by operating personnel.

Note: Must be used in conjunction with GFCI breaker by others.

Note: Must be used in conjunction with GFCI breaker by others.

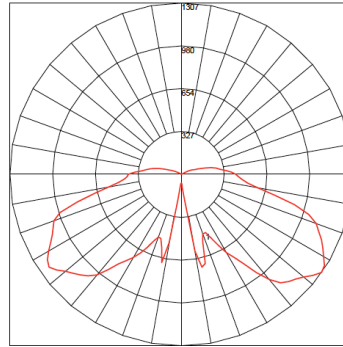
Photo Cell Tenon (PCT) - Button type photocell mounted in cast aluminum pole top tenon. Tenon has integral cast visor to prevent false start/stop cycle and can be oriented for optimum performance. Refer to fixture spec sheet to determine if this option is applicable.



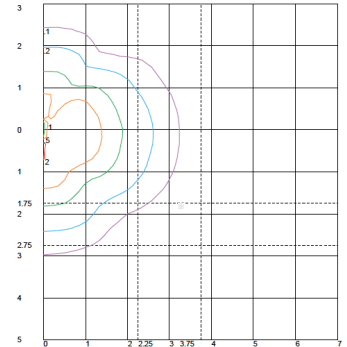
Photometry

TA / 50W LED / 3000K CCT

Catalog #: QD1L-TA-X-L50-30-XX-UNV
 Report #: 12329367.01
 Delivered Lumens: 4662
 Input Watts: 48W
 Efficacy: 97 lm/W
 CCT: 3000K
 CRI (Ra): 82.3
 Maximum candela of 1307.2 at 55° from vertical
 IES classification: Type IV
 Mounting Height: 16' (4.9 m)
 Bug Rating: B2-U3-G2
 Power Factor: 0.996
 Total Harmonic Distortion: 6.25%



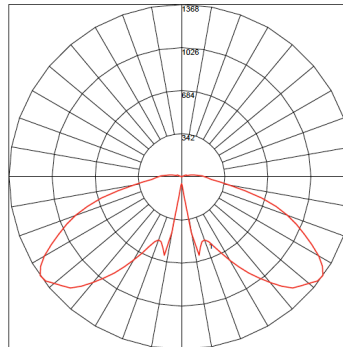
Maximum Candela = 1307.2 Located At Horizontal Angle = 80, Vertical Angle = 55
 # 1 - Vertical Plane Through Horizontal Angles (80 - 260) (Through Max. Cd.)



Distance In Units Of Mounting Height
 Values Based On 16 Foot Mounting Height

TS / 50W LED / 3000K CCT

Catalog #: QD1L-TS-X-L50-30-XX-UNV
 Report #: 12214585.01
 Delivered Lumens: 5041
 Input Watts: 49W
 Efficacy: 102 lm/W
 CCT: 3099K
 CRI (Ra): 82.3
 Maximum candela of 1367.5 at 55° from vertical
 IES classification: Type VS
 Mounting Height: 16' (4.9 m)
 Bug Rating: B2-U3-G2
 Power Factor: 0.996
 Total Harmonic Distortion: 6.25%



Maximum Candela = 1367.5 Located At Horizontal Angle = 82.5, Vertical Angle = 55
 # 1 - Vertical Plane Through Horizontal Angles (82.5 - 262.5) (Through Max. Cd.)

