

Date: _____ Customer: _____
 Project: _____
 Type: _____ Qty: _____



Quadro 2 LED



Order Code: QD2L - _____ - _____ - _____ - _____ - _____ - _____ - _____

Pole Order Code: _____ - _____ - _____ - _____
 Series Height Finish Options

<u>QD2L</u>	Series	QD2L Quadro 2 LED						
_____	Optics	TS Tritec Symmetric	TA Tritec Asymmetric					
_____	Mounting	1 Single	2 Double	W Wall Mount				
_____	Light Engine	L26 26W	L50 50W					
_____	CCT	30 3000K	40 4000K				*IDA Approved with 3000K CCT *For other CCT, please consult factory.	
_____	Power Cord Length	12 12'	15 15'	18 18'	20 20'	25 25'	XX XX' Add 2' if double mounting is used	
_____	Finish	WH White	BK Black	BL Semi-Matte Black	BZ Bronze	SV Silver	SP Specify Premium Color	
_____	Voltage	UNV 120-277V	347	480				
_____	Options	HS House Side Shield (180°)	PCT¹ Photocell Tenon	NH No Hoop	CF Prismatic Comfort Feature (consult factory)			¹ See p. 9 for details

**Motion Sensor
with Optional Photocell**
 (Meets Title 24 Requirements)
 See Pole Spec Sheet for Order Code

Product Modifications

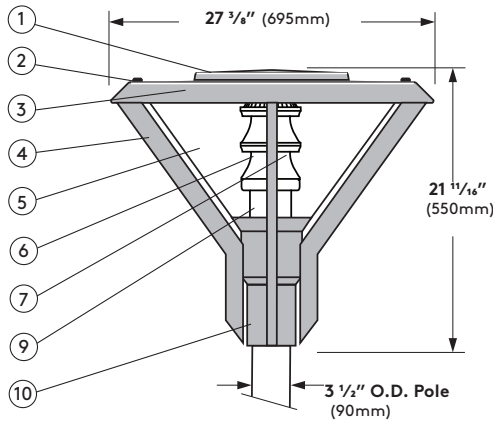
Please list modification requirements for review by factory:

Approvals



Date: _____

QD2L



Specifications

1. Fixture Cover - Formed aluminum cover with white painted interior for maximum reflectivity. Removes by loosening four stainless steel, captive set screws for easy access to lamp chamber.

2. Gasketing - Continuous molded neoprene gasket provides weatherproofing, dust, and insect control for all fixture connections.

3. Frame Ring - Formed aluminum ring with fixture cover screw retaining hardware. Ring attaches to fixture frame arms.

4. Fixture Frame - Four cast aluminum arms attach to pole fitter with stainless steel allen head screws.

5. Globe - Vacuum-formed, one piece clear UV stabilized polycarbonate.

6. LED Array - High Flux LEDs mounted to metal core PCB and attached to external heatsink for maximum thermal performance and life. CCT tolerance within a 3 step bin and provided with a minimum CRI of 80. LED light engine has a reported lumen maintenance of 93% at 50,000 hours. L70 calculated greater than 100,000 hours.

7. LED Optics - Symmetric or Asymmetric distributions created by conical textured reflector and patterned acrylic reveal with alternate LED PCB layouts. Type V and Type IV IES distribution types. An indirect lighting affect spreads brightness and improves visual appearance. For complete hiding of LEDs, select "Prismatic Comfort Feature" (CF).

8. LED Driver - (not shown) LEDs are driven by RoHS compliant constant current programmable LED driver. Driver includes 0-10V dimming to 10% and meets the requirements of IP66. Driver

located inside e-block tube within clear outer cylinder.

9. Surge Protector - Independent surge protection device designed to protect luminaire from electrical surge up to 10kA standard. 20kA surge protector optional.

10. Pole Fitter - Self-leveling, die-cast aluminum, fitter base secured to pole with two, stainless steel, Allen head set screws. For 3 1/2" (90mm) O.D. poles.

Exterior Luminaire Finish - Selux utilizes a high quality Polyester Powder Coating. All Selux luminaires and poles are finished in our Tiger Drylac certified facility and undergo a five stage intensive pretreatment process where product is thoroughly cleaned, phosphated and sealed. Selux powder coated products provide excellent salt and humidity resistance as well as ultra violet resistance for color retention. All products are tested in accordance with test specifications for coatings from ASTM and PCI.

Standard exterior colors are White (WH), Black (BK), Semi-Matte Black (BL), Bronze (BZ) and Silver (SV). Selux premium colors (SP) are available, please specify from your Selux color selection guide.

5 Year Limited LED Luminaire Warranty

- Selux offers a 5 Year Limited Warranty to the original purchaser that the Quadro 2 LED luminaire shall be free from defects in material and workmanship for up to five (5) years from date of shipment. This limited warranty covers the LED driver and LED array when installed and operated according to Selux instructions. For details, see "Selux Terms and Condition of Sale."

Listings and Ratings: Tested to IESNA LM-79-

08 and LM-80 test standards at 25° C ambient temperature. Rated for wet location.

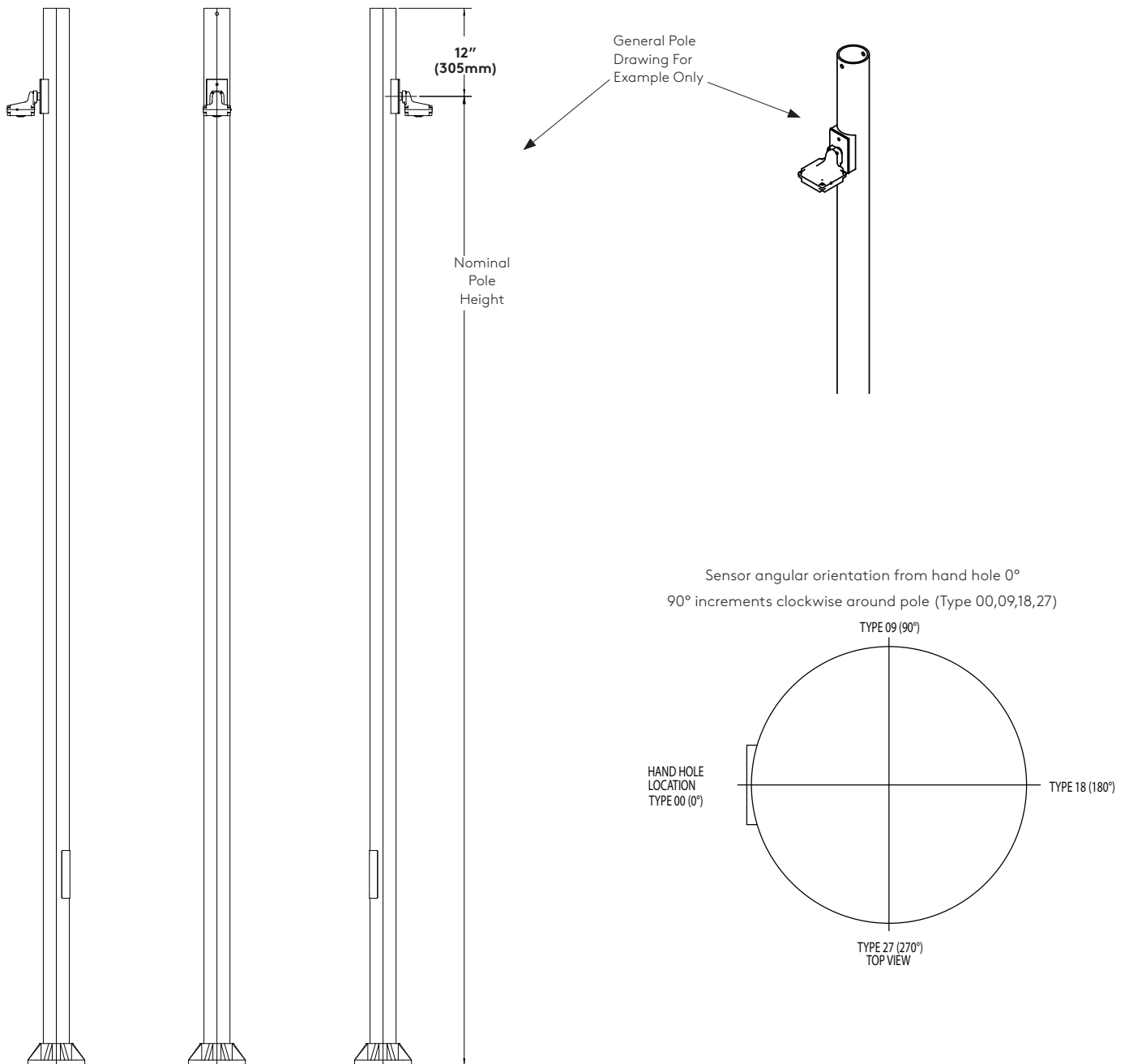
Visit selux.us for our LED End of Life recycling policy.

Motion Sensor Features

The Selux outdoor rated sensor incorporates Passive Infrared (PIR) technology for motion sensing and also includes a built in photocell. Designed to mount directly through a 1/2" KO in a single gang faceplate on pole/column, the SBO utilizes 100% Digital Passive Infrared (PIR) technology that is tuned for walking size while preventing false tripping from the environment.

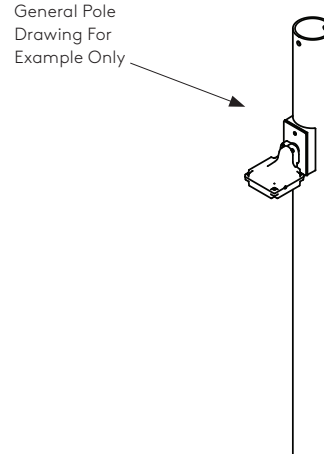
Series	Optics	Hand Hole Orientation	Program	Color	Photocell Feature	Voltage
MS Motion Sensor	1 270° coverage - Single Sensor	00	D0 (0V=0%)	WH White	Y Yes	UNV
		09	D1 (1V=10%)	BK Black	N No	347
		18	D3 (3V=30%)	BL Semi-Matte Black		480
		27	D5 (5V=50%)	BZ Bronze		

NOTE: Motion sensor comes programmed at 30% dimmed level with a 5 min. delay as default. All programming required after shipping by others.

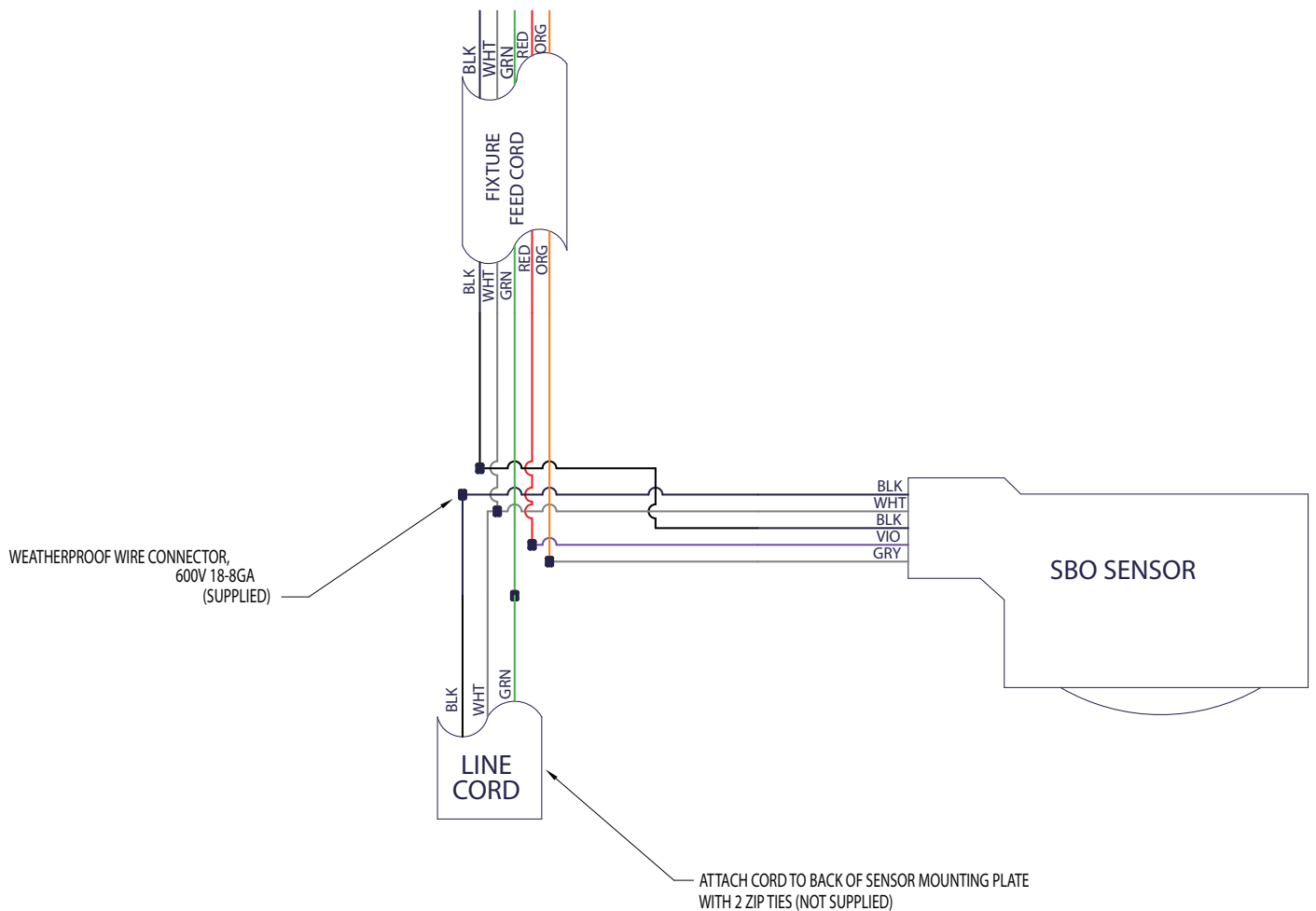


Motion Sensor Features

- 100% Digital PIR Detection, excellent RF Immunity
- 270° coverage pattern
- Up to 30ft mounting
- IP66 Rated for outdoor applications
- Built-in 1kV surge protection
- No minimum load requirements
- Made for LED light source
- Interchangeable hot and load wires - impossible to wire backwards
- Adjustable time delays, max/min dim levels and ramp rates
- Programming button accessible without opening sensor or removing gaskets
- No field calibration or sensitivity adjustments required
- Non-volatile setting memory
- Convenient test mode
- Suitable for Title 24 applications



Motion Sensor Wiring Diagram

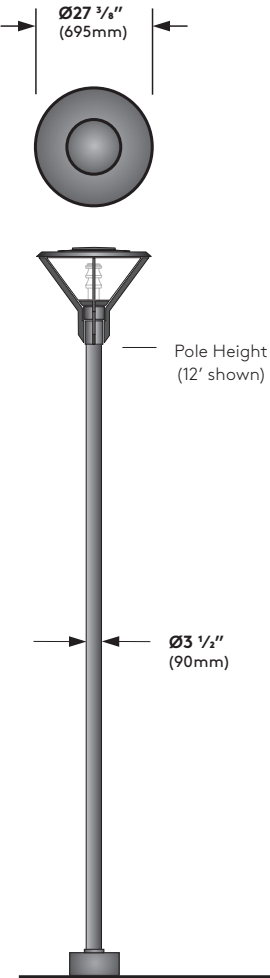


Mounting

Single (1)

Die cast aluminum fitter base secured to pole with two stainless steel, Allen head set screws.

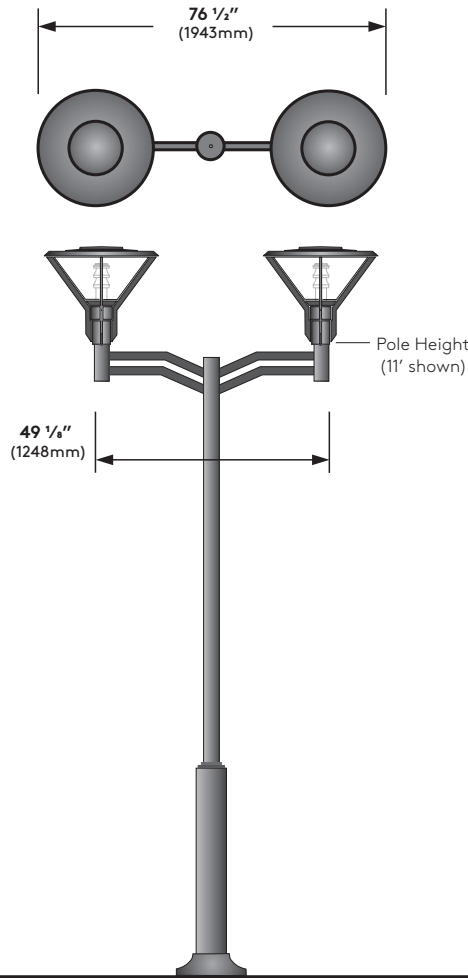
EPA =
Weight =



Double (2)

Double luminaire mounting arm secured to pole with four stainless steel, Allen head set screws. Outer slip fitter for 3 1/2\" tenon.

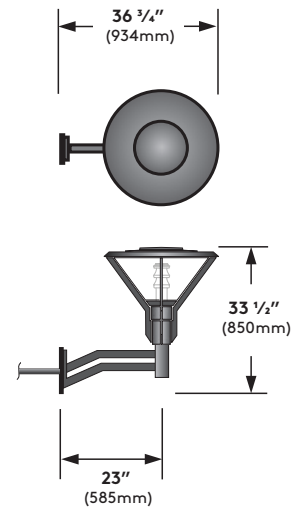
EPA =
Weight =



Wall (W)

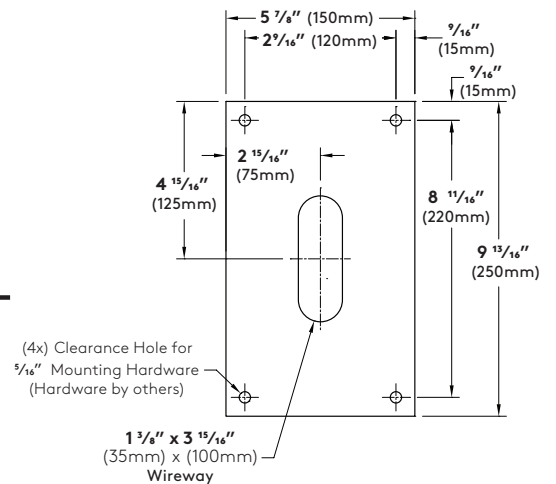
Double wall mount arm secured to wall with 1/4\" diameter threaded fasteners (by others).

EPA =
Weight =



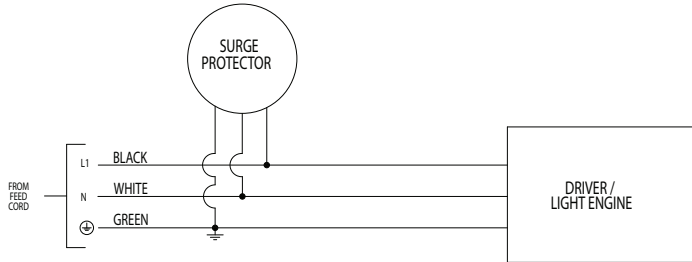
Wall Arm Mounting Detail

(Conduit and mounting hardware by others).

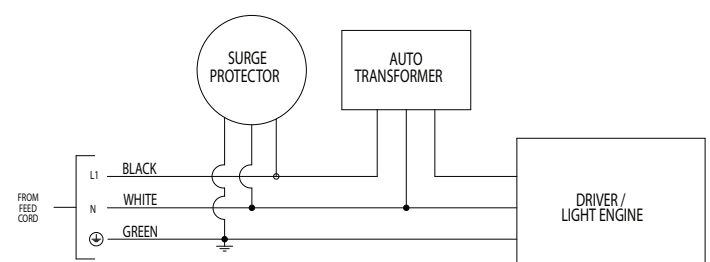


Wiring Diagrams

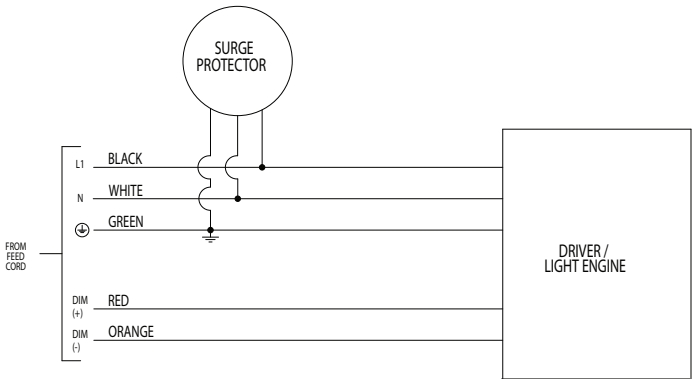
Standard Wiring for UNV
Standard wiring for 120-277V with no additional options.



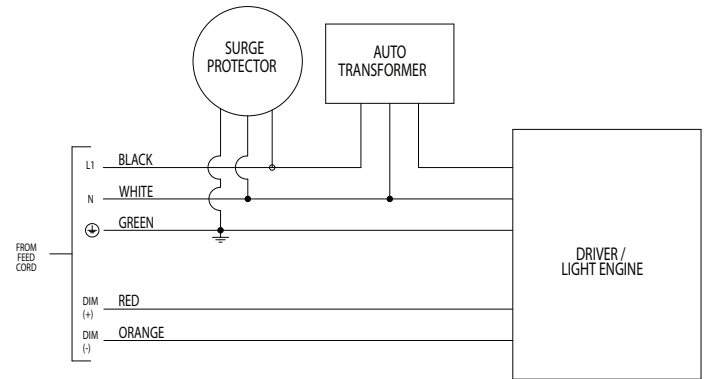
Standard Wiring for 347/480V
Standard wiring for 347/480V with no additional options.



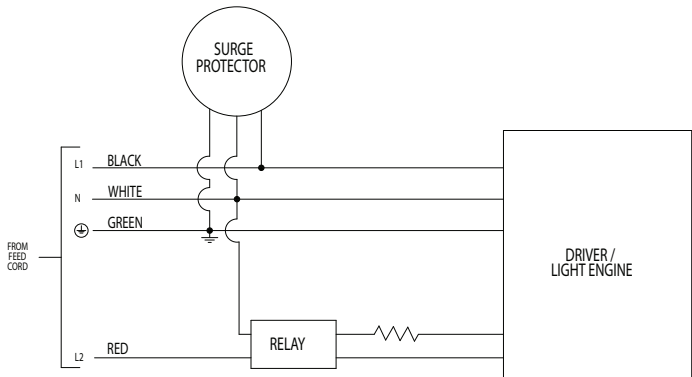
0-10V Dimming Option (DM) Wiring for UNV
100% light output at 10V, down to 1% light output at 0V.



0-10V Dimming Option (DM) Wiring for 347/480V
100% light output at 10V, down to 1% light output at 0V.



Hi-Lo Switching Option (HL30 or HL50) Wiring
120/240/277V. When red is energized, light output will be at "Lo" level.

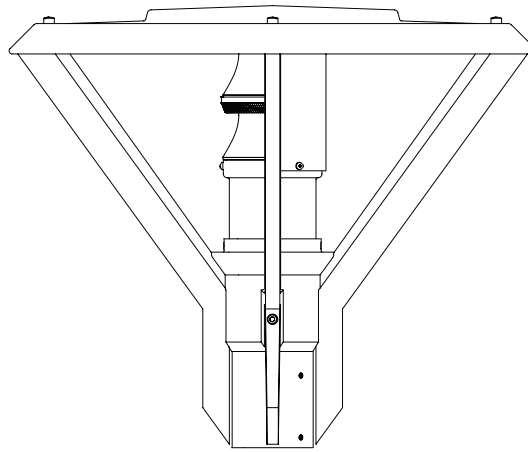
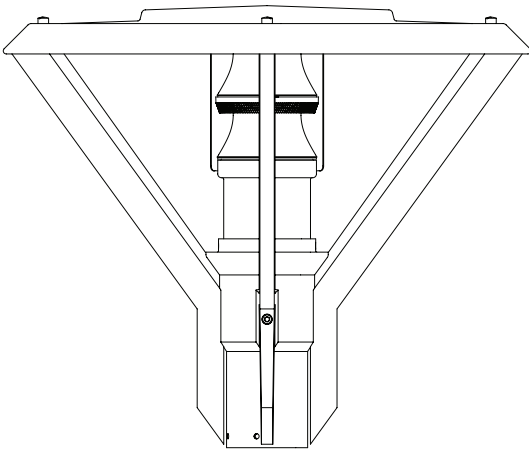


Optional Accessories

House Shield (HS)

Front View

Side View

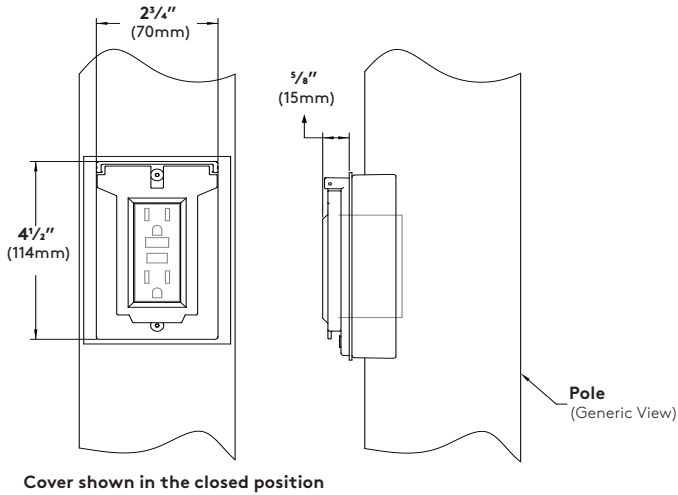


Street Side

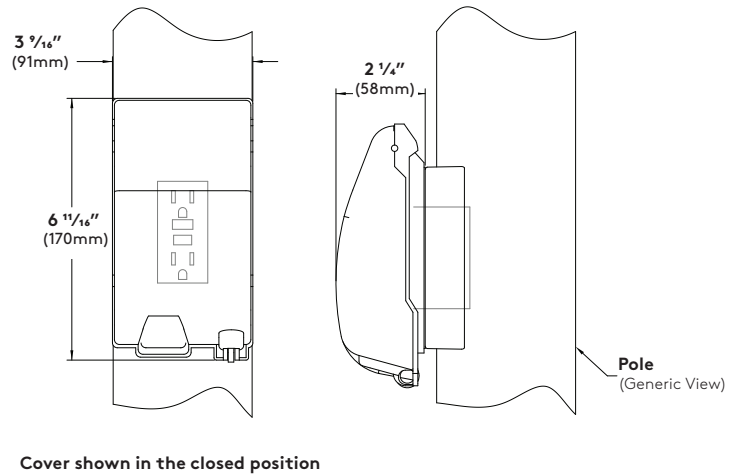
House Side

Optional Accessories

GFCI Receptacle (REC) - 120V 15A GFCI duplex receptacle with weather-proof, self-closing cover; located 36" (915mm) from base of pole, inline with handhole. Receptacle is intended only for portable tools or other portable equipment to be connected to outlet only when attended by operating personnel.



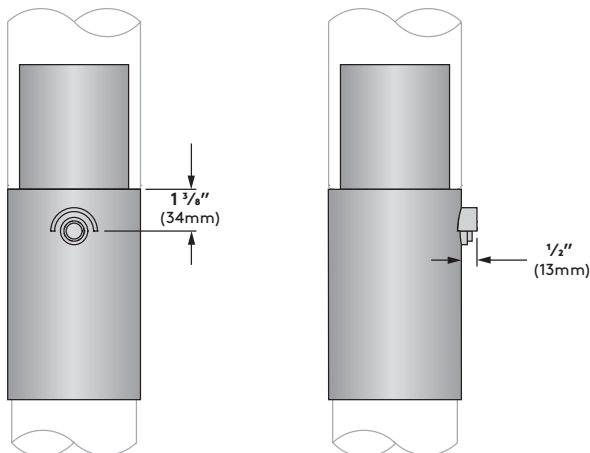
GFCI Receptacle (REC2) - 120V 15A GFCI duplex receptacle with weather-proof, self-closing padlockable in-use cover; located 36" (915mm) from base of pole, inline with handhole. Receptacle is intended only for portable tools or other portable equipment to be connected to outlet only when attended by operating personnel.



USB & Duplex Receptacle (REC3) (not shown) - 120V 15A duplex receptacle with USB combination ports. (1) type A and (1) type C high power 5 Amp, 5 Volt USB outlets. With weatherproof, self-closing cover; located 36" (915mm) from base of pole, inline with handhole. Receptacle is intended only for portable tools or other portable equipment to be connected to outlet only when attended by operating personnel.

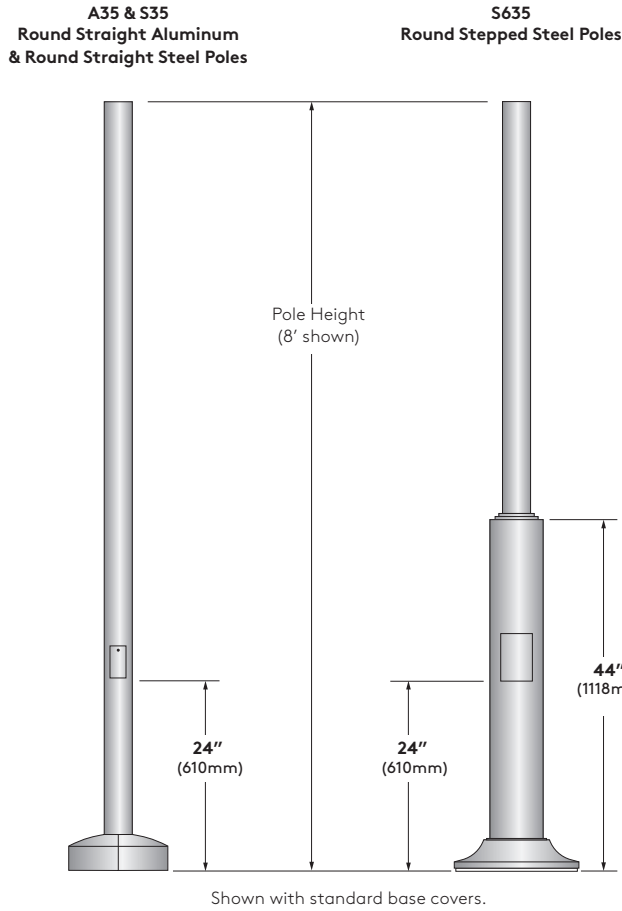
USB & Duplex Receptacle (REC4) (not shown) - 120V 15A duplex receptacle with USB combination ports. (1) type A and (1) type C high power 5 Amp, 5 Volt USB outlets. With weatherproof, self-closing padlockable in-use cover; located 36" (915mm) from base of pole, inline with handhole. Receptacle is intended only for portable tools or other portable equipment to be connected to outlet only when attended by operating personnel.

Photo Cell Tenon (PCT) - Button type photocell mounted in cast aluminum pole top tenon. Tenon has integral cast visor to prevent false start/stop cycle and can be oriented for optimum performance. Refer to fixture spec sheet to determine if this option is applicable.



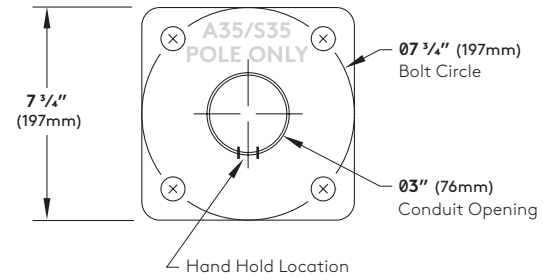
Pole Information

Refer to pole specification sheets for construction details, anchorage information and additional options.



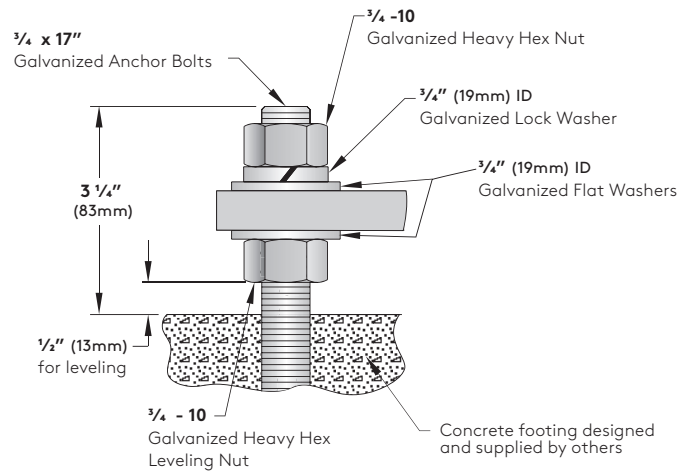
Bolt Circle for A35 & S35

Use caution when setting anchor bolts. Bolts must be vertically straight and centered on dimensions shown



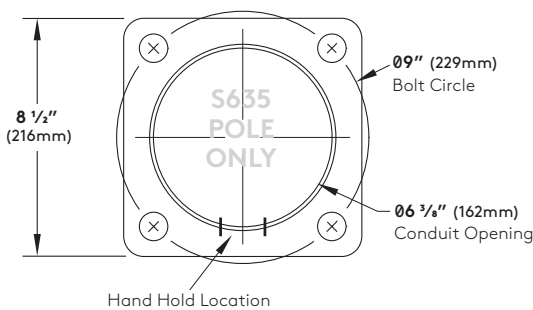
Note: Adequate drainage must be provided in concrete foundation.

Anchor Bolt Detail for A35 & S35



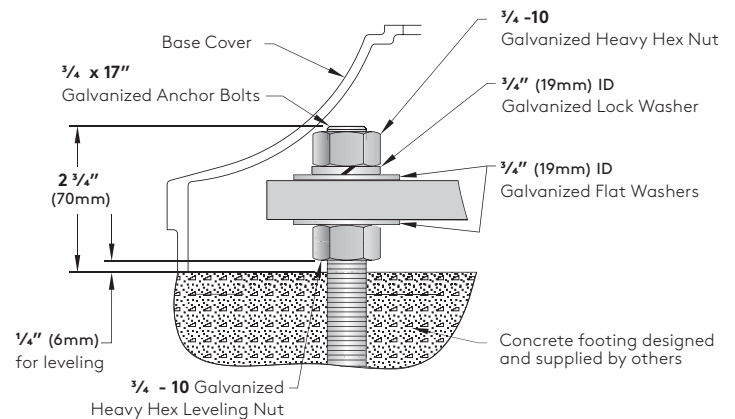
Bolt Circle for S635

Use caution when setting anchor bolts. Bolts must be vertically straight and centered on dimensions shown.



Note: Adequate drainage must be provided in concrete foundation.

Anchor Bolt Detail for S635



Pole Data Chart

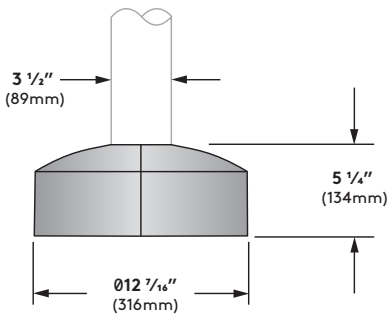
Pole Series	Bolt Circle	EPA Information					Height	Finish	Options
		70mph	80mph	90mph	100mph	110mph			
S635 3 1/2" Diameter Stepped Steel Pole	09"	57.6	44.3	34.6	27.5	22.8	8 ft.	WH White	REC1 GFCI Receptacle with weatherproof cover ¹ (120V only) REC2 GFCI Receptacle with padlockable in-use cover (120V only) REC3 USB and Duplex Receptacle with weatherproof cover REC4 USB and Duplex Receptacle with weatherproof padlockable in-use cover MS Motion Sensor with Optional Photocell (Meets Title 24 Requirements) For PCT option, see p. 1 ¹ Weatherproof cover intended for portable tools or other portable equipment connected to the outlet only when attended. For other requirements, please consult factory.
A35 3 1/2" Diameter Straight Aluminum Pole	07 3/4"	16.1	12.2	9.4	7.3	5.9		BK Black	
S35 3 1/2" Diameter Straight Steel Pole	07 3/4"	14.8	11.3	8.6	6.7	5.4		BL Semi-Matte Black	
S635 3 1/2" Diameter Stepped Steel Pole	09"	45.6	35.0	27.3	21.6	17.8	10 10 ft.	BZ Bronze	
A35 3 1/2" Diameter Straight Aluminum Pole	07 3/4"	12.4	9.3	7.1	5.4	4.3		SV Silver	
S35 3 1/2" Diameter Straight Steel Pole	07 3/4"	11.4	8.6	6.5	4.9	3.9		SP Specify Premium Color	
S635 3 1/2" Diameter Stepped Steel Pole	09"	37.6	28.7	22.3	17.5	14.4	12 12 ft.		
A35 3 1/2" Diameter Straight Aluminum Pole	07 3/4"	9.9	7.3	5.4	4.0	3.1			
S35 3 1/2" Diameter Straight Steel Pole	07 3/4"	9.1	6.7	4.9	3.6	2.8			
S635 3 1/2" Diameter Stepped Steel Pole	09"	31.7	24.2	18.6	14.6	11.9	14 14 ft.		
A35 3 1/2" Diameter Straight Aluminum Pole	07 3/4"	8.0	5.8	4.2	3.0	2.2			
S35 3 1/2" Diameter Straight Steel Pole	07 3/4"	7.3	5.3	3.8	2.7	1.9			
S635 3 1/2" Diameter Stepped Steel Pole	09"	21.7	15.8	12.3	9.6	7.6	16 16 ft.		
A35 3 1/2" Diameter Straight Aluminum Pole	07 3/4"	4.9	3.2	2.2	1.4	N/A			
S35 3 1/2" Diameter Straight Steel Pole	07 3/4"	4.4	2.8	1.9	1.2	N/A			

* Other pole configurations available, consult factory.

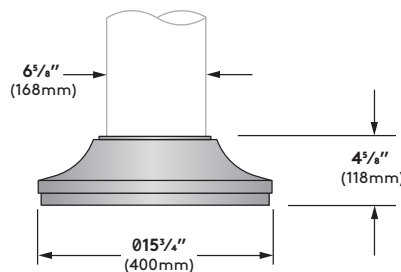
Base Cover Information

Refer to pole specification sheets for construction details, anchorage information and additional options.

Straight Poles (A35 & S35)
BC5 Standard Base Cover
 Two-piece cast aluminum



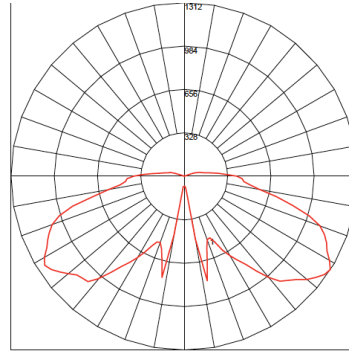
Stepped Steel Pole (S635)
BC6 Standard Base Cover
 One-piece cast aluminum



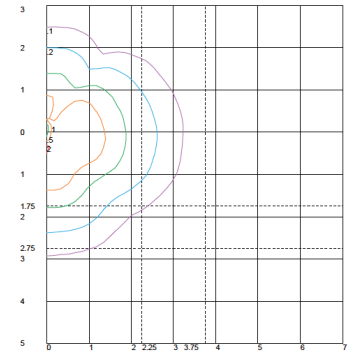
Photometry

TA / 50W LED / 3000K CCT

Catalog #: QD2L-TA-X-L50-30-XX-UNV
 Report #: 12329367.02
 Delivered Lumens: 4523
 Input Watts: 48.2W
 Efficacy: 94 lm/W
 CCT: 3000K
 CRI (Ra): 80
 Maximum candela of 1384 at 57.5° from vertical
 IES classification: Type IV
 Mounting Height: 16' (4.9 m)
 Bug Rating: B2-U3-G2
 Power Factor: 0.995
 Total Harmonic Distortion: 7.18%



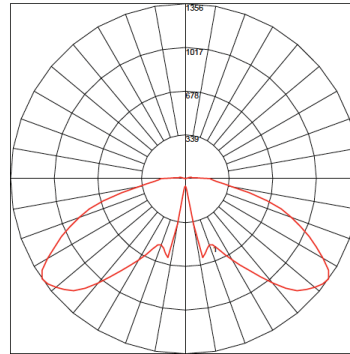
Maximum Candela = 1312.3 Located At Horizontal Angle = 85, Vertical Angle = 57.5
 # 1 - Vertical Plane Through Horizontal Angles (85 - 265) (Through Max. Cd.)



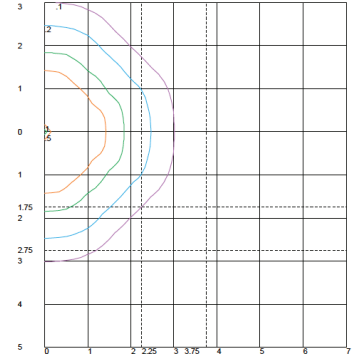
Distance in Units Of Mounting Height
 Values Based On 16 Foot Mounting Height

TS / 50W LED / 3000K CCT

Catalog #: QD2L-TS-X-L50-30-XX-UNV
 Report #: 12214580.01
 Delivered Lumens: 4929
 Input Watts: 49W
 Efficacy: 100 lm/W
 CCT: 3000K
 CRI (Ra): 80
 Maximum candela of 1506 at 57.5° from vertical
 IES classification: Type V
 Mounting Height: 16' (4.9 m)
 Bug Rating: B2-U3-G2
 Power Factor: 0.995
 Total Harmonic Distortion: 7.18%



Maximum Candela = 1356.1 Located At Horizontal Angle = 87.5, Vertical Angle = 55
 # 1 - Vertical Plane Through Horizontal Angles (87.5 - 267.5) (Through Max. Cd.)



Distance in Units Of Mounting Height
 Values Based On 16 Foot Mounting Height

Quadro LED 3000K & 4000K				
Optics	TS (Tritec Symmetrical)		TA (Tritec Asymmetric)	
Lightengine	L50	L26	L50	L26
Performance				
Delivered Lumens (lm)	5400	2700	4800	2400
Wattage (W)	50	26	48	26
Efficacy (lm/W)	108.0	103.8	100.0	92.3
Lm Multiplier	1.000	0.500	1.000	0.500