

Date: _____ Customer: _____
 Project: _____
 Type: _____ Qty: _____



Quadro 1 LED



Order Code: QD1L - _____ - _____ - _____ - _____ - _____ - _____ - _____

Pole Order Code: _____ - _____ - _____ - _____
 Series Height Finish Options

| | | | | | | | | |
|-------------|-------------------|--|--|----------------------------------|---|---------------------|---|-----------------------------------|
| <u>QD1L</u> | Series | QD1L Quadro 1LED | | | | | | |
| _____ | Optics | TS Tritec Symmetric | TA Tritec Asymmetric | | | | | |
| _____ | Mounting | 1 Single | 2 Double | W Wall Mount | | | | |
| _____ | Light Engine | L26 26W | L50 50W | | | | | |
| _____ | CCT | 30 3000K | 40 4000K | | | | *IDA Approved with 3000K CCT *For other CCT, please consult factory. | |
| _____ | Power Cord Length | 12 12' | 15 15' | 18 18' | 20 20' | 25 25' | XX XX' Add 2' if double mounting is used | |
| _____ | Finish | WH White | BK Black | BL Semi-Matte Black | BZ Bronze | SV Silver | SP Specify Premium Color | |
| _____ | Voltage | UNV 120-277V | 347 | 480 | | | | ¹ See p. 9 for details |
| _____ | Options | HS House Side Shield (180°) | PCT¹ Photocell Tenon | NH No Hoop | CF Prismatic Comfort Feature (consult factory) | | | |

**Motion Sensor
w/ Optional Photocell**
 (Meets Title 24 Requirements)
 See Pole Spec Sheet for Order Code

Product Modifications

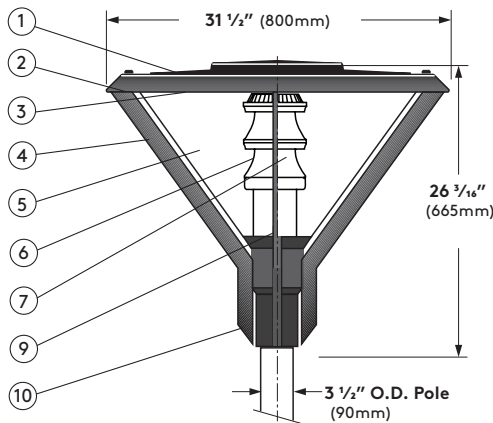
Please list modification requirements for review by factory:

Approvals



Date: _____

QD1L



Specifications

1. Fixture Cover - Formed aluminum cover with white painted interior for maximum reflectivity. Removes by loosening four stainless steel, captive set screws for easy access to lamp chamber.

2. Gasketing - Continuous molded neoprene gasket provides weatherproofing, dust, and insect control for all fixture connections.

3. Frame Ring - Formed aluminum ring with fixture cover screw retaining hardware. Ring attaches to fixture frame arms.

4. Fixture Frame - Four cast aluminum arms attach to pole fitter with stainless steel allen head screws.

5. Globe - Vacuum-formed, one piece clear UV stabilized polycarbonate.

6. LED Array - High Flux LEDs mounted to metal core PCB and attached to external heatsink for maximum thermal performance and life. CCT tolerance within a 3 step bin and provided with a minimum CRI of 80. LED light engine has a reported lumen maintenance of 93% at 50,000 hours. L70 calculated greater than 100,000 hours.

7. LED Optics - Symmetric or Asymmetric distributions created by conical textured reflector and patterned acrylic reveal with alternate LED PCB layouts. Type V and Type IV IES distribution types. An indirect lighting affect spreads brightness and improves visual appearance. For complete hiding of LEDs, select "Prismatic Comfort Feature" (CF).

8. LED Driver - (not shown) LEDs are driven by RoHS compliant constant current programmable LED driver. Driver includes 0-10V dimming to 10% and meets the requirements of IP66. Driver

located inside e-block tube within clear outer cylinder.

9. Surge Protector - Independent surge protection device designed to protect luminaire from electrical surge up to 10kA standard. 20kA surge protector optional.

10. Pole Fitter - Self-leveling, die-cast aluminum, fitter base secured to pole with two, stainless steel, Allen head set screws. For 3 1/2" (90mm) O.D. poles.

Exterior Luminaire Finish - Selux utilizes a high quality Polyester Powder Coating. All Selux luminaires and poles are finished in our Tiger Drylac certified facility and undergo a five stage intensive pretreatment process where product is thoroughly cleaned, phosphated and sealed. Selux powder coated products provide excellent salt and humidity resistance as well as ultra violet resistance for color retention. All products are tested in accordance with test specifications for coatings from ASTM and PCI.

Standard exterior colors are White (WH), Black (BK), Semi-Matte Black (BL), Bronze (BZ) and Silver (SV). Selux premium colors (SP) are available, please specify from your Selux color selection guide.

5 Year Limited LED Luminaire Warranty

- Selux offers a 5 Year Limited Warranty to the original purchaser that the Quadro 1 LED luminaire shall be free from defects in material and workmanship for up to five (5) years from date of shipment. This limited warranty covers the LED driver and LED array when installed and operated according to Selux instructions. For details, see "Selux Terms and Condition of Sale."

Listings and Ratings: Tested to IESNA LM-79-08 and LM-80 test standards at 25° C ambient temperature. Rated for wet location.

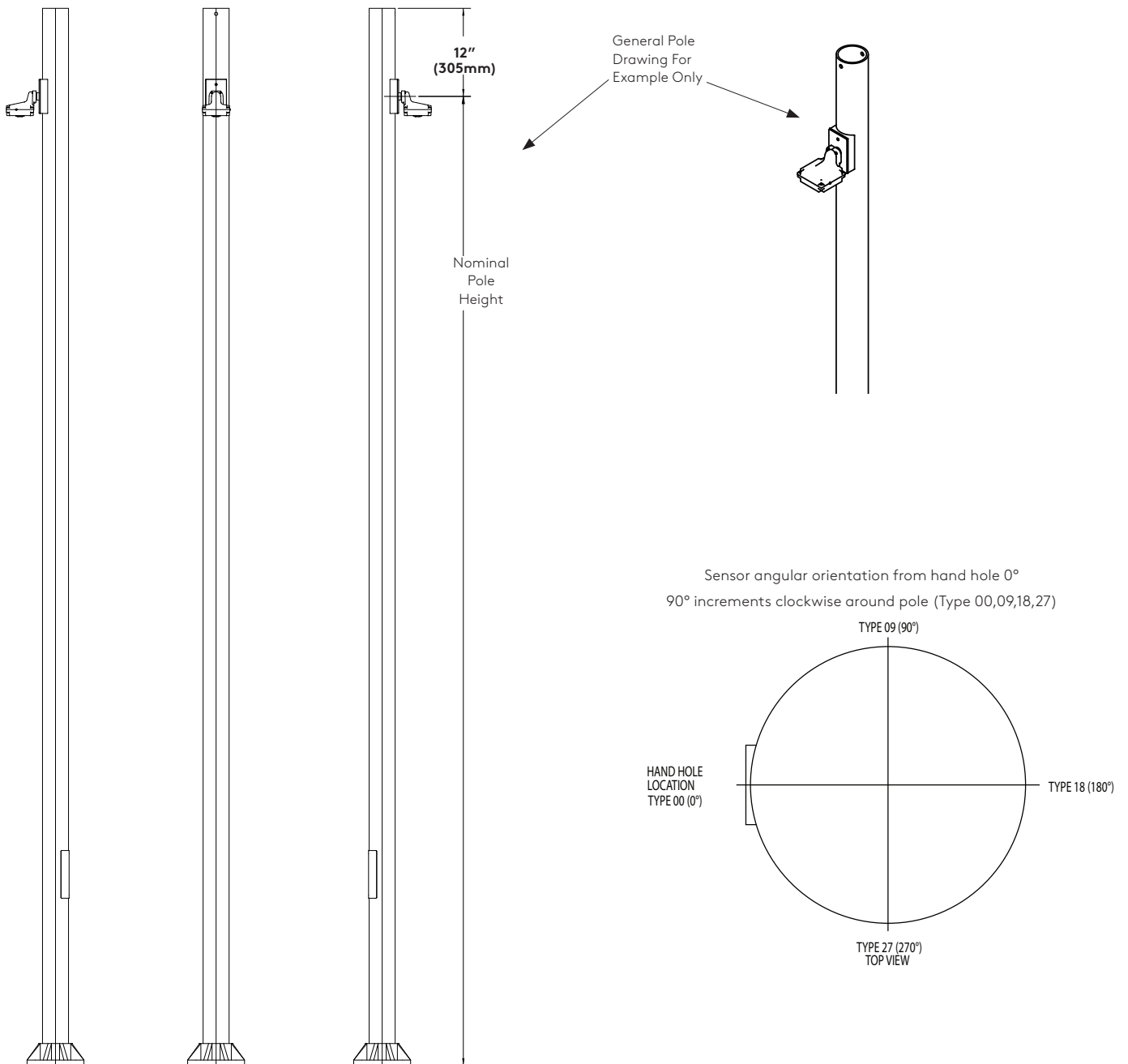
Visit selux.us for our LED End of Life recycling policy.

Motion Sensor Features

The Selux outdoor rated sensor incorporates Passive Infrared (PIR) technology for motion sensing and also includes a built in photocell. Designed to mount directly through a 1/2" KO in a single gang faceplate on pole/column, the SBO utilizes 100% Digital Passive Infrared (PIR) technology that is tuned for walking size while preventing false tripping from the environment.

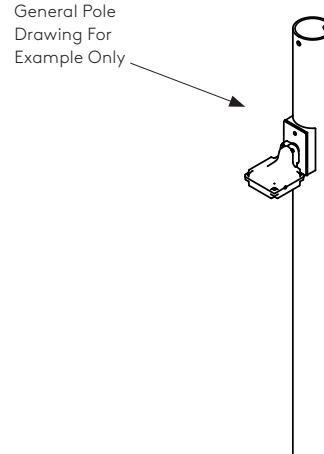
| Series | Optics | Hand Hole Orientation | Program | Color | Photocell Feature | Voltage |
|---------------------|---------------------------------|-----------------------|-------------|-----------|-------------------|---------|
| MS Motion Sensor | 1 270° coverage - Single Sensor | 00 | D0 (0V=0%) | WH White | Y Yes | UNV |
| | | 09 | D1 (1V=10%) | BK Black | N No | 347 |
| | | 18 | D3 (3V=30%) | BZ Bronze | | 480 |
| | | 27 | D5 (5V=50%) | | | |

NOTE: Motion sensor comes programmed at 30% dimmed level with a 5 min. delay as default. All programming required after shipping by others.

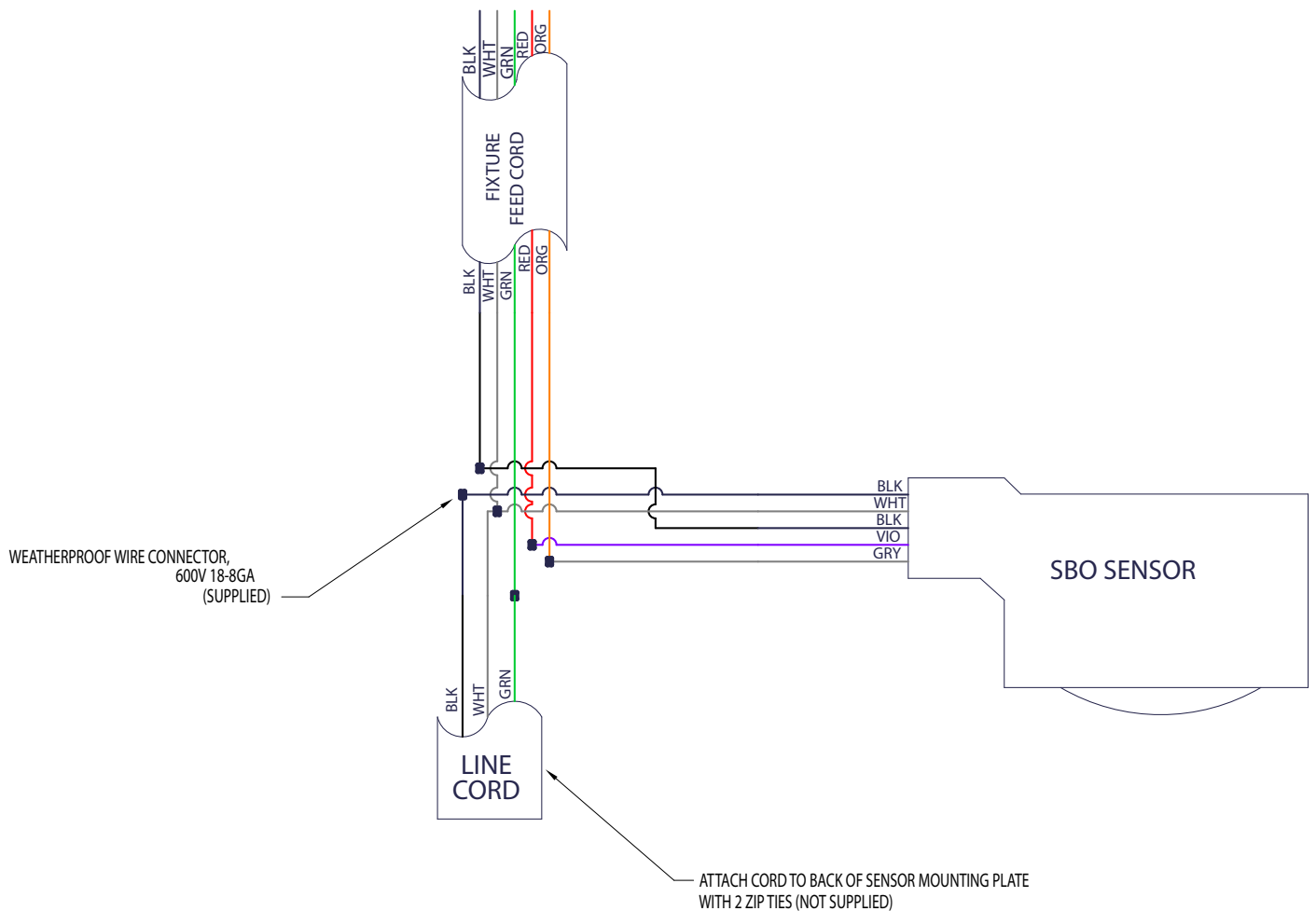


Motion Sensor Features

- 100% Digital PIR Detection, excellent RF Immunity
- 270° coverage pattern
- Up to 30ft mounting
- IP66 Rated for outdoor applications
- Built-in 1kV surge protection
- No minimum load requirements
- Made for LED light source
- Interchangeable hot and load wires - impossible to wire backwards
- Adjustable time delays, max/min dim levels and ramp rates
- Programming button accessible without opening sensor or removing gaskets
- No field calibration or sensitivity adjustments required
- Non-volatile setting memory
- Convenient test mode
- Suitable for Title 24 applications



Motion Sensor Wiring Diagram



Mounting

Single (1)

Die-cast aluminum fitter base secured to pole with two stainless steel, Allen head set screws.

EPA =
Weight =

Double (2)

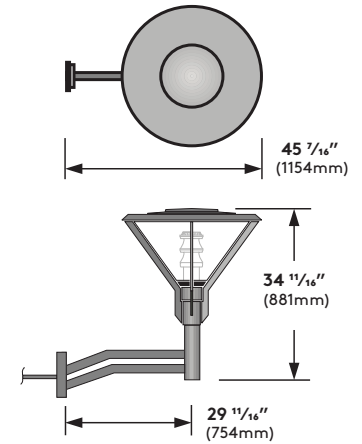
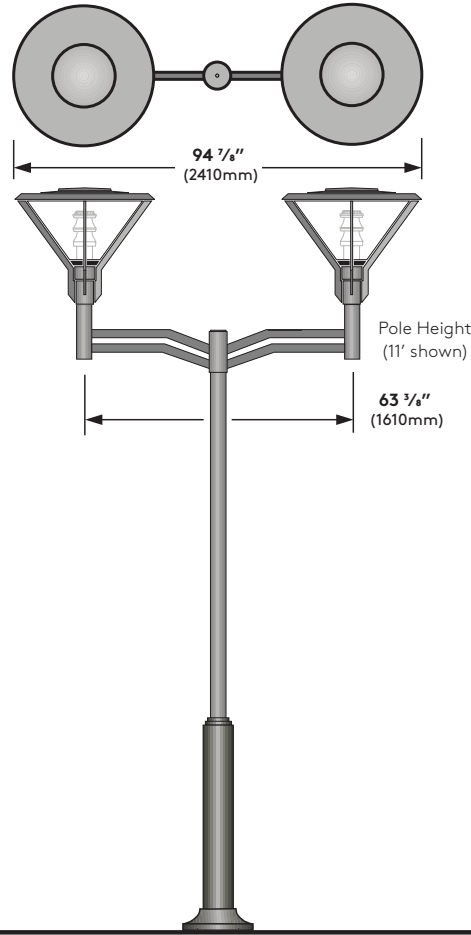
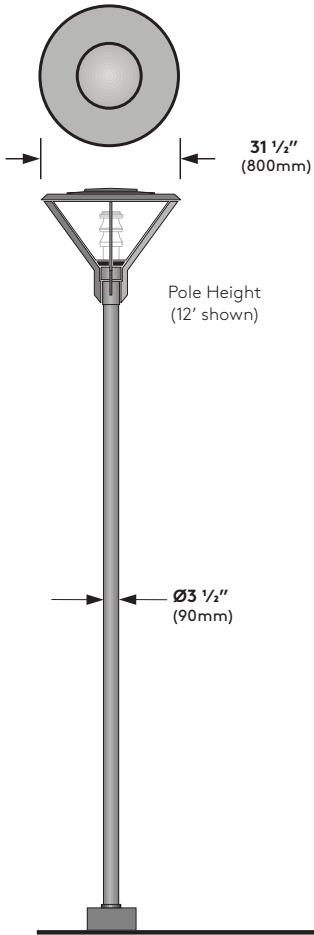
Double luminaire mounting arm secured to pole with four stainless steel, Allen head set screws. Outer slip fitter for 3 1/2" tenon.

EPA =
Weight =

Wall (W)

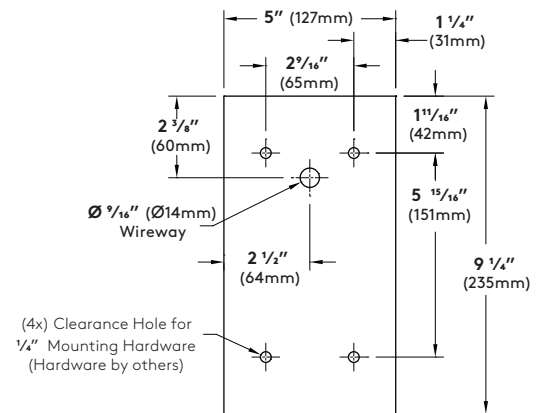
Double wall mount arm secured to wall with 1/4" diameter threaded fasteners (by others).

EPA =
Weight =



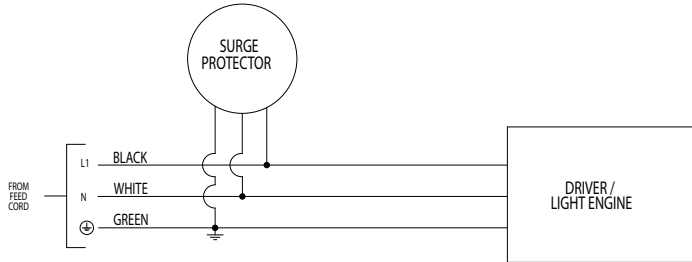
Wall Arm Mounting Detail

(Conduit and mounting hardware by others).

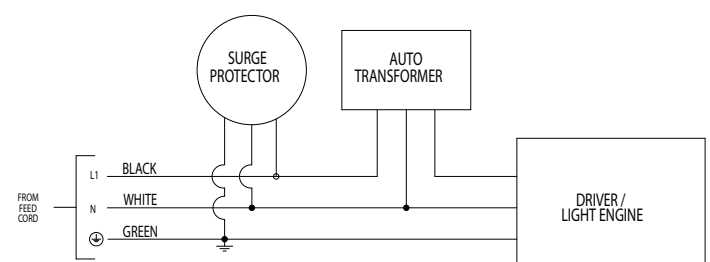


Wiring Diagrams

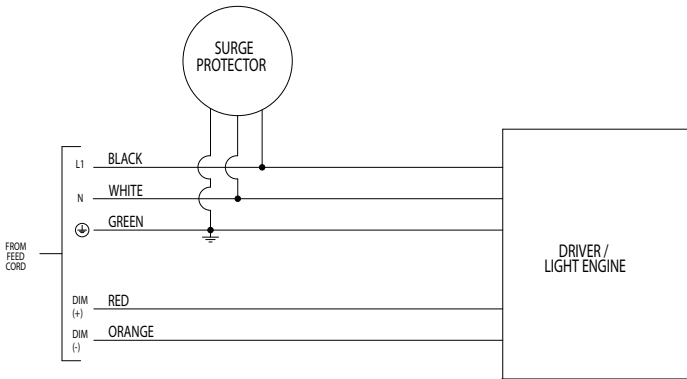
Standard Wiring for UNV
Standard wiring for 120-277V with no additional options.



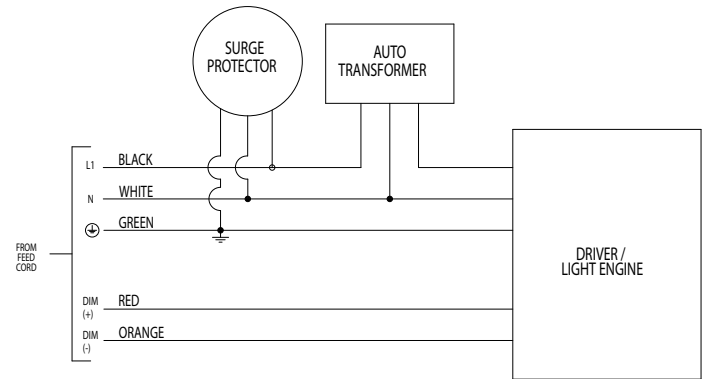
Standard Wiring for 347/480V
Standard wiring for 347/480V with no additional options.



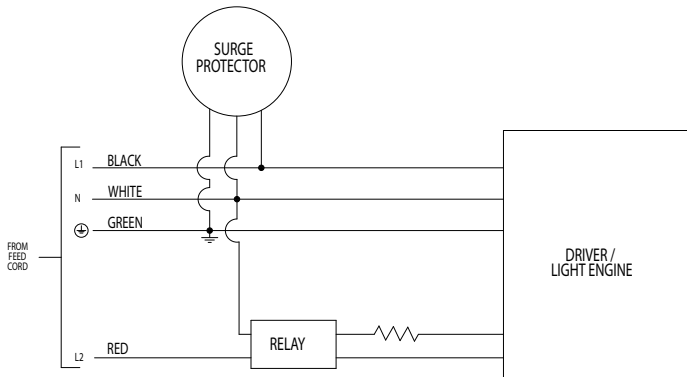
0-10V Dimming Option (DM) Wiring for UNV
100% light output at 10V, down to 1% light output at 0V.



0-10V Dimming Option (DM) Wiring for 347/480V
100% light output at 10V, down to 1% light output at 0V.

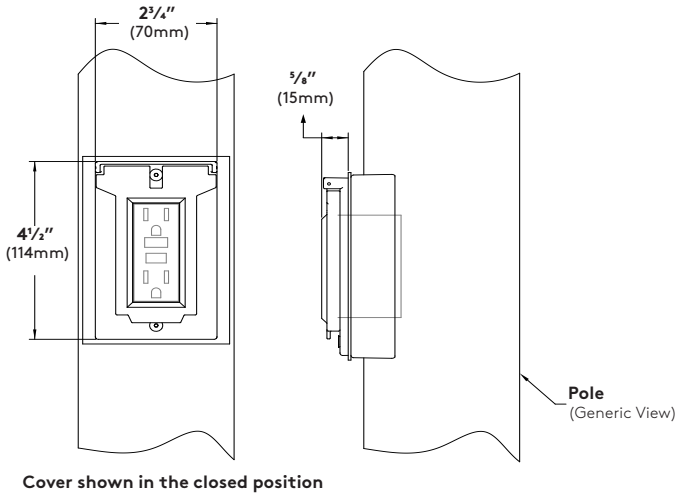


Hi-Lo Switching Option (HL30 or HL50) Wiring
120/240/277V. When red is energized, light output will be at "Lo" level.

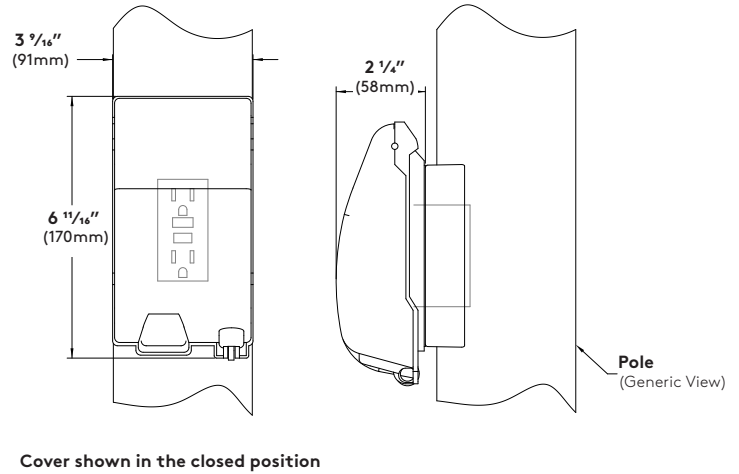


Optional Accessories

GFCI Receptacle (REC) - 120V 15A GFCI duplex receptacle with weather-proof, self-closing cover; located 36" (915mm) from base of pole, inline with handhole. Receptacle is intended only for portable tools or other portable equipment to be connected to outlet only when attended by operating personnel.



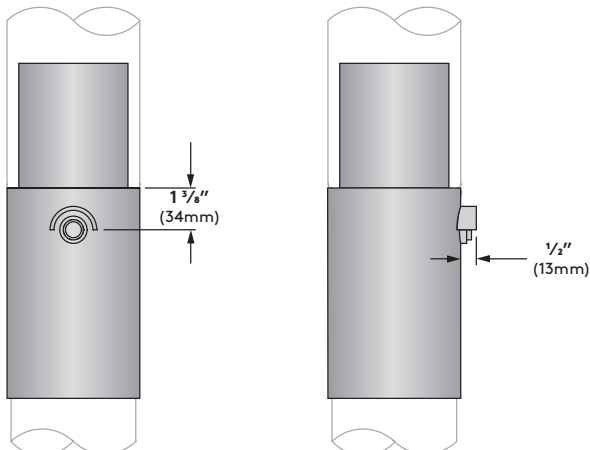
GFCI Receptacle (REC2) - 120V 15A GFCI duplex receptacle with weather-proof, self-closing padlockable in-use cover; located 36" (915mm) from base of pole, inline with handhole. Receptacle is intended only for portable tools or other portable equipment to be connected to outlet only when attended by operating personnel.



USB & Duplex Receptacle (REC3) (not shown) - 120V 15A duplex receptacle with USB combination ports. (1) type A and (1) type C high power 5 Amp, 5 Volt USB outlets. With weatherproof, self-closing cover; located 36" (915mm) from base of pole, inline with handhole. Receptacle is intended only for portable tools or other portable equipment to be connected to outlet only when attended by operating personnel.

USB & Duplex Receptacle (REC4) (not shown) - 120V 15A duplex receptacle with USB combination ports. (1) type A and (1) type C high power 5 Amp, 5 Volt USB outlets. With weatherproof, self-closing padlockable in-use cover; located 36" (915mm) from base of pole, inline with handhole. Receptacle is intended only for portable tools or other portable equipment to be connected to outlet only when attended by operating personnel.

Photo Cell Tenon (PCT) - Button type photocell mounted in cast aluminum pole top tenon. Tenon has integral cast visor to prevent false start/stop cycle and can be oriented for optimum performance. Refer to fixture spec sheet to determine if this option is applicable.

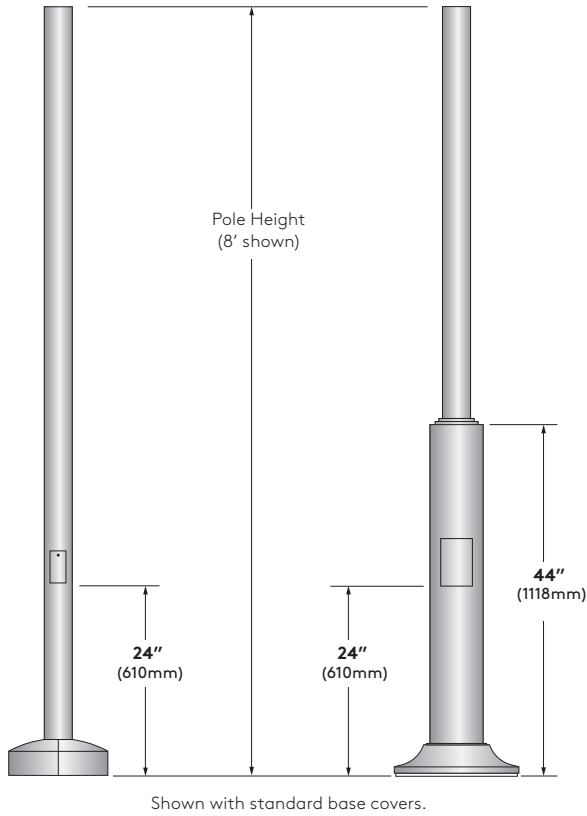


Pole Information

Refer to pole specification sheets for construction details, anchorage information and additional options.

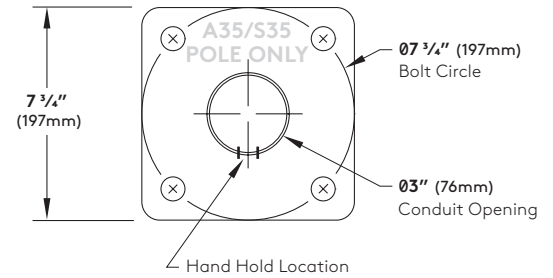
A35 & S35
Round Straight Aluminum
& Round Straight Steel Poles

S635
Round Stepped Steel Poles



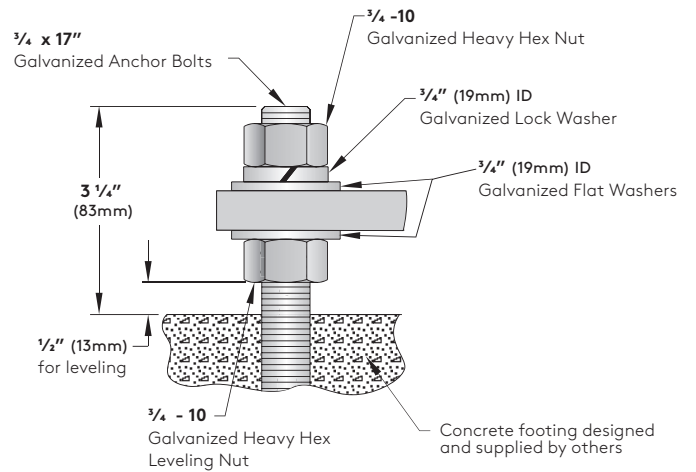
Bolt Circle for A35 & S35

Use caution when setting anchor bolts. Bolts must be vertically straight and centered on dimensions shown



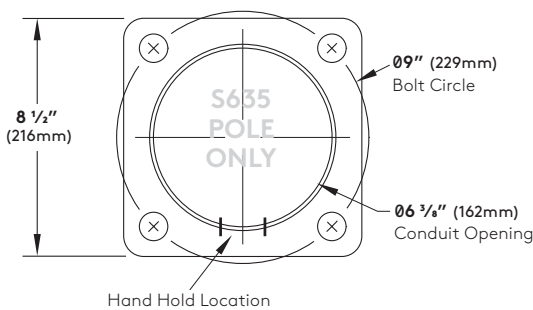
Note: Adequate drainage must be provided in concrete foundation.

Anchor Bolt Detail for A35 & S35



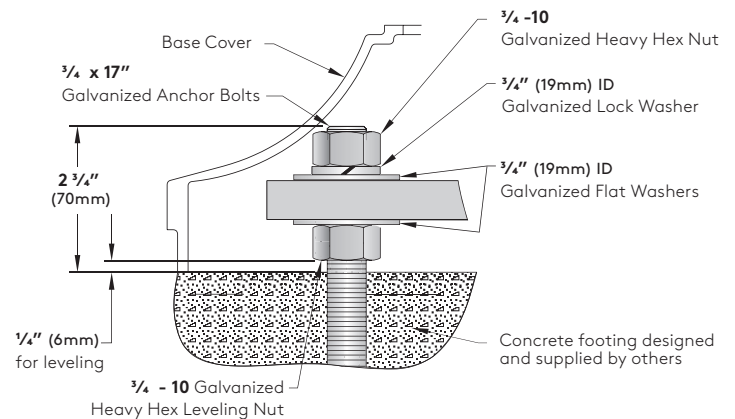
Bolt Circle for S635

Use caution when setting anchor bolts. Bolts must be vertically straight and centered on dimensions shown.



Note: Adequate drainage must be provided in concrete foundation.

Anchor Bolt Detail for S635



Pole Data Chart

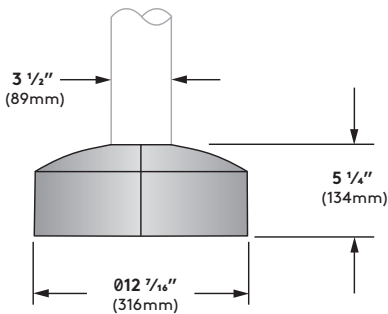
| Pole Series | Bolt Circle | EPA Information | | | | | Height | Finish | Options |
|---|-------------|-----------------|-------|-------|--------|--------|-----------|--------------------------|--|
| | | 70mph | 80mph | 90mph | 100mph | 110mph | | | |
| S635 3 1/2" Diameter Stepped Steel Pole | 09" | 57.6 | 44.3 | 34.6 | 27.5 | 22.8 | 8 ft. | WH White | REC1 GFCI Receptacle with weatherproof cover ¹ REC2 GFCI Receptacle with padlockable in-use cover REC3 USB and Duplex Receptacle with weatherproof cover REC4 USB and Duplex Receptacle with weatherproof padlockable in-use cover MS Motion Sensor w/ Optional Photocell (Meets Title 24 Requirements) For PCT option, see p. 1 ¹ Weatherproof cover intended for portable tools or other portable equipment connected to the outlet only when attended. For other requirements, please consult factory. |
| A35 3 1/2" Diameter Straight Aluminum Pole | 07 3/4" | 16.1 | 12.2 | 9.4 | 7.3 | 5.9 | | BK Black | |
| S35 3 1/2" Diameter Straight Steel Pole | 07 3/4" | 14.8 | 11.3 | 8.6 | 6.7 | 5.4 | | BL Semi-Matte Black | |
| S635 3 1/2" Diameter Stepped Steel Pole | 09" | 45.6 | 35.0 | 27.3 | 21.6 | 17.8 | 10 10 ft. | BZ Bronze | |
| A35 3 1/2" Diameter Straight Aluminum Pole | 07 3/4" | 12.4 | 9.3 | 7.1 | 5.4 | 4.3 | | SV Silver | |
| S35 3 1/2" Diameter Straight Steel Pole | 07 3/4" | 11.4 | 8.6 | 6.5 | 4.9 | 3.9 | | SP Specify Premium Color | |
| S635 3 1/2" Diameter Stepped Steel Pole | 09" | 37.6 | 28.7 | 22.3 | 17.5 | 14.4 | 12 12 ft. | | |
| A35 3 1/2" Diameter Straight Aluminum Pole | 07 3/4" | 9.9 | 7.3 | 5.4 | 4.0 | 3.1 | | | |
| S35 3 1/2" Diameter Straight Steel Pole | 07 3/4" | 9.1 | 6.7 | 4.9 | 3.6 | 2.8 | | | |
| S635 3 1/2" Diameter Stepped Steel Pole | 09" | 31.7 | 24.2 | 18.6 | 14.6 | 11.9 | 14 14 ft. | | |
| A35 3 1/2" Diameter Straight Aluminum Pole | 07 3/4" | 8.0 | 5.8 | 4.2 | 3.0 | 2.2 | | | |
| S35 3 1/2" Diameter Straight Steel Pole | 07 3/4" | 7.3 | 5.3 | 3.8 | 2.7 | 1.9 | | | |
| S635 3 1/2" Diameter Stepped Steel Pole | 09" | 21.7 | 15.8 | 12.3 | 9.6 | 7.6 | 16 16 ft. | | |
| A35 3 1/2" Diameter Straight Aluminum Pole | 07 3/4" | 4.9 | 3.2 | 2.2 | 1.4 | N/A | | | |
| S35 3 1/2" Diameter Straight Steel Pole | 07 3/4" | 4.4 | 2.8 | 1.9 | 1.2 | N/A | | | |

* Other pole configurations available, consult factory.

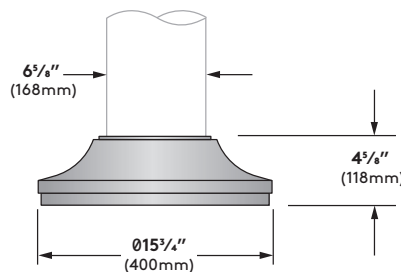
Base Cover Information

Refer to pole specification sheets for construction details, anchorage information and additional options.

Straight Poles (A35 & S35)
BC5 Standard Base Cover
 Two-piece cast aluminum



Stepped Steel Pole (S635)
BC6 Standard Base Cover
 One-piece cast aluminum

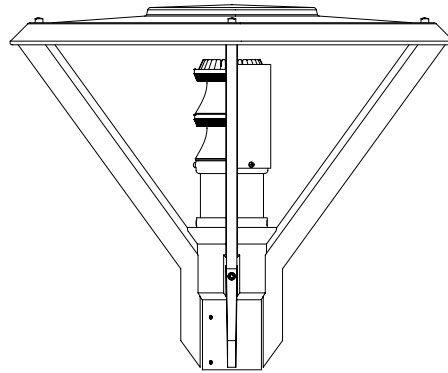
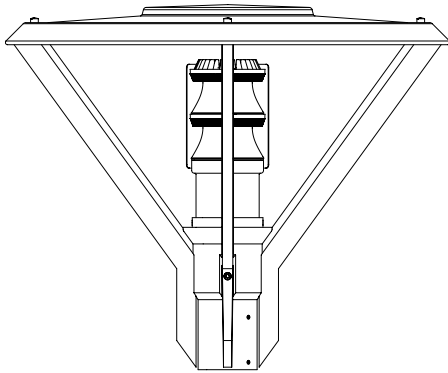


Optional Accessories

House Side Shield (HS)

Front View

Side View



Street
Side

House
Side

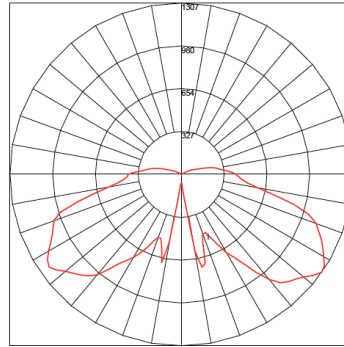
Quadro 1 LED

Photometry

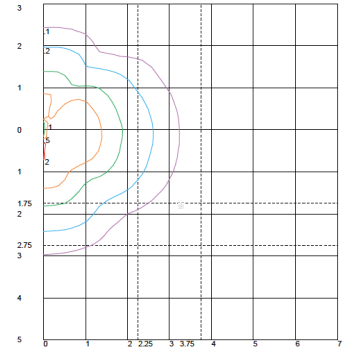


TA / 50W LED / 3000K CCT

Catalog #: QD1L-TA-X-L50-30-XX-UNV
Report #: 12329367.01
Delivered Lumens: 4662
Input Watts: 48W
Efficacy: 97 lm/W
CCT: 3000K
CRI (Ra): 82.3
Maximum candela of 1307.2 at 55° from vertical
IES classification: Type IV
Mounting Height: 16' (4.9 m)
Bug Rating: B2-U3-G2
Power Factor: 0.996
Total Harmonic Distortion: 6.25%



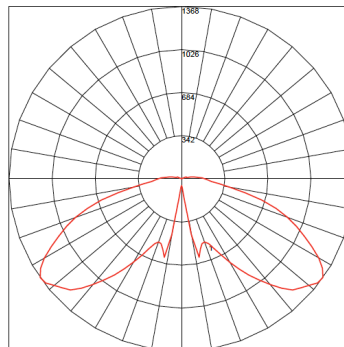
Maximum Candela = 1307.2 Located At Horizontal Angle = 80, Vertical Angle = 55
1 - Vertical Plane Through Horizontal Angles (80 - 260) (Through Max. Cd.)



Distance In Units Of Mounting Height
Values Based On 16 Foot Mounting Height

TS / 50W LED / 3000K CCT

Catalog #: QD1L-TS-X-L50-30-XX-UNV
Report #: 12214585.01
Delivered Lumens: 5041
Input Watts: 49W
Efficacy: 102 lm/W
CCT: 3099K
CRI (Ra): 82.3
Maximum candela of 1367.5 at 55° from vertical
IES classification: Type VS
Mounting Height: 16' (4.9 m)
Bug Rating: B2-U3-G2
Power Factor: 0.996
Total Harmonic Distortion: 6.25%



Maximum Candela = 1367.5 Located At Horizontal Angle = 82.5, Vertical Angle = 55
1 - Vertical Plane Through Horizontal Angles (82.5 - 262.5) (Through Max. Cd.)

