

Date: _____ Customer: _____
 Project: _____
 Type: _____ Qty: _____



Olivio Piccolo LED Bollard



Order Code: _____ - _____ - _____ - _____ - _____ - _____

Series	OLPLB Olivio Piccolo LED Bollard					
Optics	ASM Asymmetric					
Height	3 3 feet (nominal)					
Light Engine	L14 1128lm/4W nominal	L7 564lm/7W nominal	*Based on ASM distribution & 4000K CCT.			
CCT	30 3000K	40 4000K				
Finish	WH White	BK Black	BL Semi-Matte Black	BZ Bronze	SV Silver	SP Specify Premium Color
Voltage	120	208	240	277		

Product Modifications

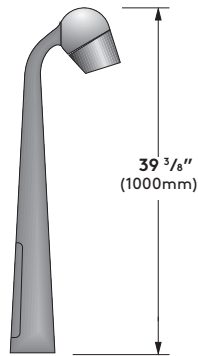
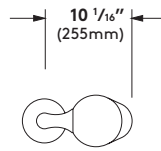
Please list modification requirements for review by factory:

Approvals



Date: _____

OLPLB



Specifications

1. Luminaire Housing - Two piece high pressure die cast housing, made of low copper aluminum alloy. Single recessed captive screw allows easy access to light engine & gear tray components.

2. Bollard Base- Cast of low-copper aluminum.

2. Gasketing - (not shown) UV and ozone-resistant, silicone gasket between fixture housing and lens base provide IP67 level ingress protection. IP rated micro-membrane ensures pressure compensation.

4. Lens - (not shown) Fixed horizontal clear spread lens.

4. LED Light Engine - (not shown) made from high flux COB and vacuum metalized aluminum reflectors. Selux is using brand name LED manufacturers. Available in 3000K and 4000K, CRI minimum 80. Reflectors made from high purity aluminum to ensure high efficiencies throughout lifetime. Complete light engine can be removed easily for future upgrade. LED light engine provides a reported lumen maintenance of 82.69% at 60,000 hours. L70 calculated greater than 60,000 hours.

5. LED Driver - Selux uses brand name high efficiency LED drivers. LEDs are driven by RoHS compliant high-efficiency driver. Excellent for cold temperature starting and instant on. Min. operating temperature -30°C/ -22°F.

6. Power Cord - (not shown) Pre-installed at factory and fed hidden through the luminaire hinge and hinge arm. Power cords are specified to fit the length of the pole specified with the luminaire.

Exterior Luminaire Finish -

Selux utilizes a high quality Polyester Powder Coating. All Selux luminaires and poles are finished in our Tiger Drylac certified facility and undergo a five stage intensive pretreatment process where product is thoroughly cleaned, phosphated and sealed. Selux powder coated products provide excellent salt and humidity resistance as well as ultraviolet resistance for color retention. All products are tested in accordance with test specifications for coatings from ASTM and PCI. Standard exterior colors are White (WH), Black (BK), Semi-Matte Black (BL), Bronze (BZ), and Silver (SV). Selux premium colors (SP) are available, please specify from your Selux color selection guide.

5 Year Limited LED Luminaire Warranty -

Selux offers a 5 Year Limited Warranty to the original purchaser that the OLIVIO LED luminaire shall be free from defects in material and workmanship for up to five (5) years from date of shipment. This limited warranty covers the LED driver and LED Light engine when installed and operated according to Selux instructions. For details, see "Selux Terms and Condition of Sale."

Listings and Ratings: Luminaire and LED tested to IP67 and IESNA LM-79-08 standards. LED tested to LM-80 standards. Luminaire and LED tested at 25°C ambient temperature.

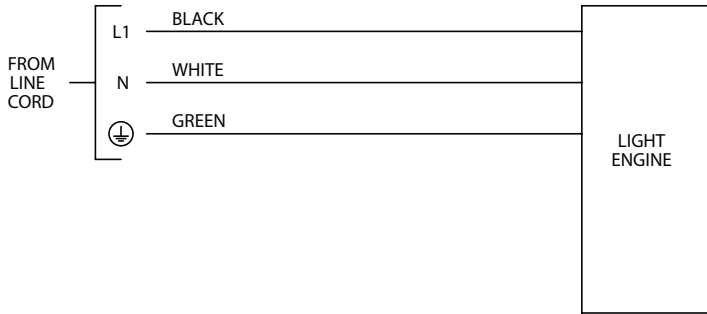
OLIVIO LED suitable for ambient temperatures of 35°C (95°F). Minimum operating temperature of luminaire at -30°C (-22°F).

NRTL Listed for wet location (i.e. UL, CSA)

Visit selux.us for our LED End of Life recycling policy.

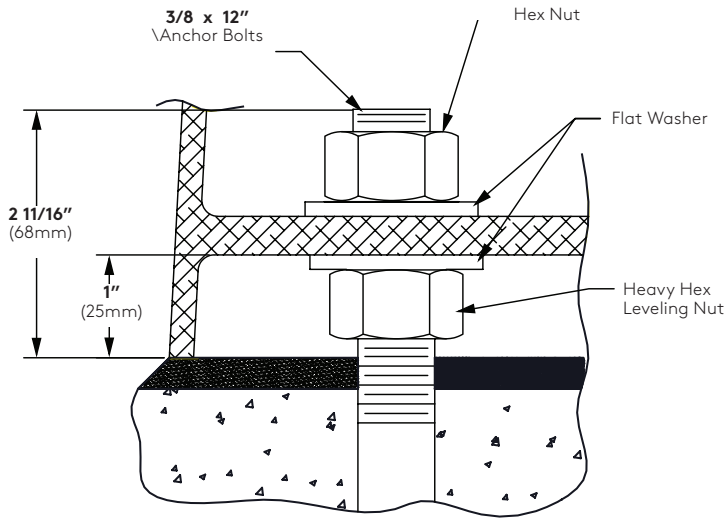
Wiring

Standard Single Wiring

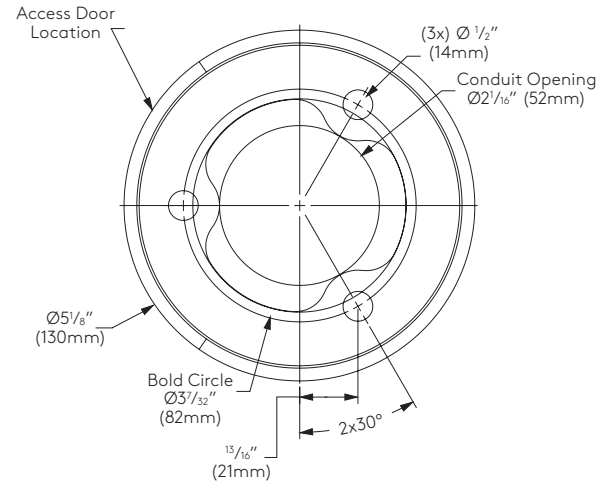


Mounting Details

Mounting Detail (OLPLB)



Bolt Circle (OLPLB)



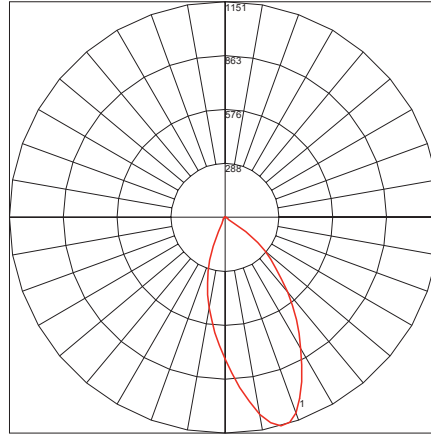
Note: Please contact Selux factory to verify above bolt circle template prior to installation

Photometry

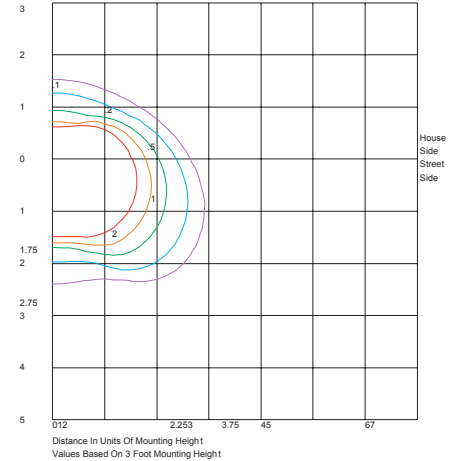
ASM /14W LED / 4000K CCT

Catalog #: OLPLB-ASM-L14-40-120
 Delivered Lumens: 1128
 Input Watts: 14.26W
 CRI: >83.5
 Maximum candela of 1151
 Power Factor: 0.987
 Total Harmonic Distortion: 5.11%
 BUG Rating: B1-U1-G0

[Link to photometry \(PDF\)](#)
[Link to photometry \(IES\)](#)



Maximum Candela = 1151.056 Located At Horizontal Angle = 357.5, Vertical Angle = 15
 # 1 - Vertical Plane Through Horizontal Angles (357.5 - 177.5) (Through Max. Cd.)

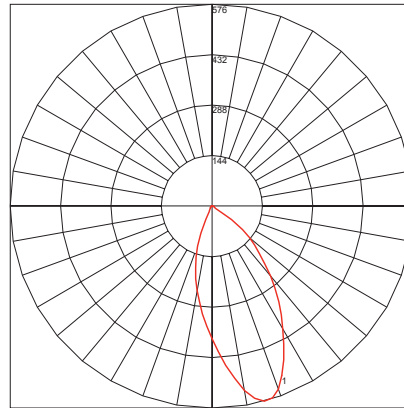


Distance In Units Of Mounting Height
 Values Based On 3 Foot Mounting Height

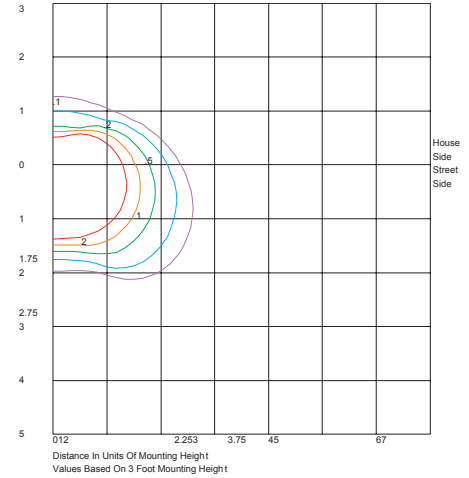
ASM / 7W LED / 4000K CCT

Catalog #: OLPLB-L7-L14-40-120
 Delivered Lumens: 564
 Input Watts: 7W
 CRI: >83.5
 Maximum candela of 575
 Power Factor: 0.987
 Total Harmonic Distortion: 5.11%
 BUG Rating: B1-U1-G0

[Link to photometry \(PDF\)](#)
[Link to photometry \(IES\)](#)



Maximum Candela = 575.528 Located At Horizontal Angle = 357.5, Vertical Angle = 15
 # 1 - Vertical Plane Through Horizontal Angles (357.5 - 177.5) (Through Max. Cd.)



Distance In Units Of Mounting Height
 Values Based On 3 Foot Mounting Height

CCT Multiplier	
4000K	1.000
3000K	0.986

CCT multipliers apply to the photometry, & IES files.