

Olivio Piccolo - Universal Mount

selux



Project: _____

Type: _____ **Qty:** _____

OLP - - - - -
Series **Optics** **Mounting** **Lamping** **Lamp Color** **Finish** **Voltage**

Option

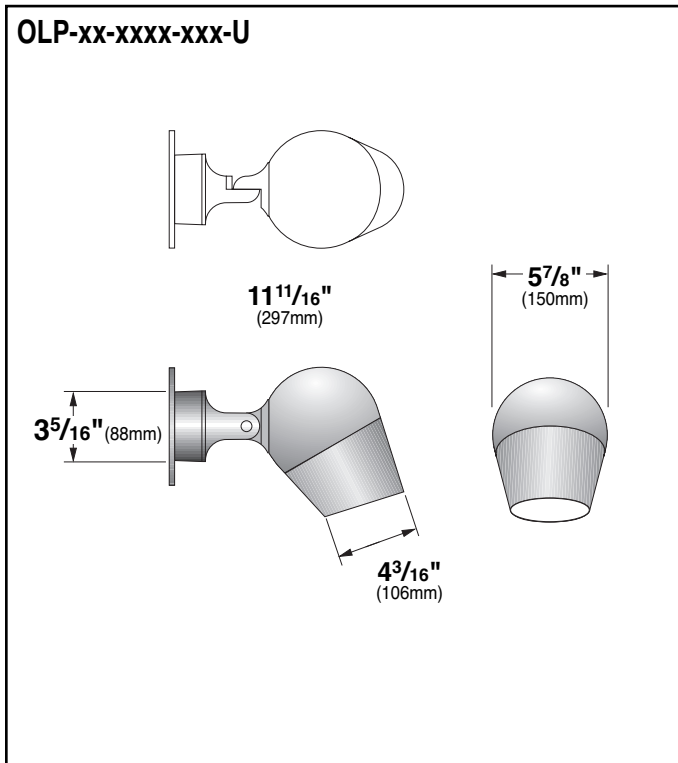
Series	Optics	Mounting	Lamping	Lamp Color	Finish	Voltage	Options
OLP Olivio Piccolo	SN Spot Narrow 2x 10°	U Universal	Ceramic Metal Halide (Includes electronic ballast)	Ceramic Metal Halide (Includes electronic ballast)	WH White	120	LR ^{3,4} Colored Red
	FM Flood Medium 2x 34°	BB Buried Base (Consult Factory)	H020T4 20W T4	830 3000°K	BK Black	277	LG ^{3,4} Colored Green
	FW Flood Wide 2x 42.5°		H039T4 ¹ 39W T4	NOL Lamp not included	BZ Bronze		LB ^{3,4} Colored Blue
					SV Silver		LY ^{3,4} Colored Yellow
					SP Specify Premium Color		RL ³ Ring Louver
							RLC ³ Ring Louver w/ Closed Center
							SLH ³ Field Rotatable Spread Lens (Factory Set to Horizontal Distribution)
							SLV ³ Field Rotatable Spread Lens (Factory Set to Vertical Distribution)
							HL ³ Honeycomb Louver
							DF ^{3,4} Dichroic Filter (consult factory)
							DS ² Dark Sky 0° Tilt Option

¹ Available in 120v only

² IDA certified "Dark Sky Friendly"

³ Up to 2 accessories may be chosen.

⁴ 20W T4 only



1. Housing - Pressure die-cast aluminum two-piece, single captive set screw for easy access.

2. Gasketing - Silicone gasket between fixture housing and lens base provide IP67 level ingress protection.

3. Lens - Tempered clear glass lens held by mechanical fasteners. Linear spread lens, color filter glass, dichroic filters or honeycomb louver available as accessories.

4. Optics - Precision formed, high performance reflector, in highly specular or diffuse finishes. Constructed of high purity aluminum with chemically brightened and anodized finish to produce optimum reflectivity for specified distributions.

5. Lamp - As indicated. Selux provided lamps use brand name manufacturers.

6. Socket - 2-pin G8.5 base, 5kV ceramic lamp holder for T-4/T-4.5 lamps.

7. Ballasting - Electronic, low THD, high power factor ballast.

8. U-Joint - Die-cast aluminum fitting provides tilt-swivel from 20° from stem to 195° from stem and 360° complete horizontal rotation.

Exterior Luminaire Finish - Selux utilizes a high quality Polyester Powder Coating. All Selux luminaires and poles are finished in our Tiger Drylac certified facility and undergo a five stage intensive pretreatment process where product is thoroughly cleaned, phosphated and sealed. Selux powder coated products provide excellent salt and humidity resistance as well as ultra violet resistance for color retention. All products are tested in accordance with test specifications for coatings from ASTM and PCI.

Standard exterior colors are White (WH), Black (BK), Bronze (BZ), and Silver (SV). Selux premium colors (SP) are available, please specify from your Selux color selection guide. Hot Dip Galvanized finish (GV) on all steel parts also available.

Selux Corp. © 2015
 TEL (845) 834-1400
 FAX (845) 834-1401
 www.selux.us
 OLP-U-0715-01 (ss-v3.2)

NRTL Listed (i.e. UL, CSA)

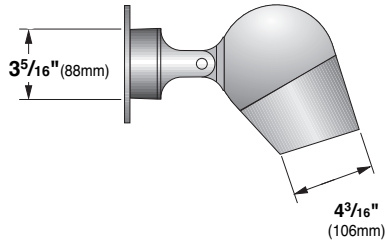
Union Made Affiliated
 with IBEW Local 363



IP67

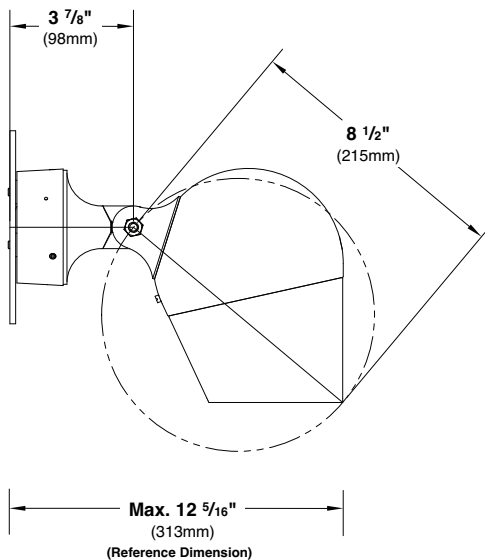
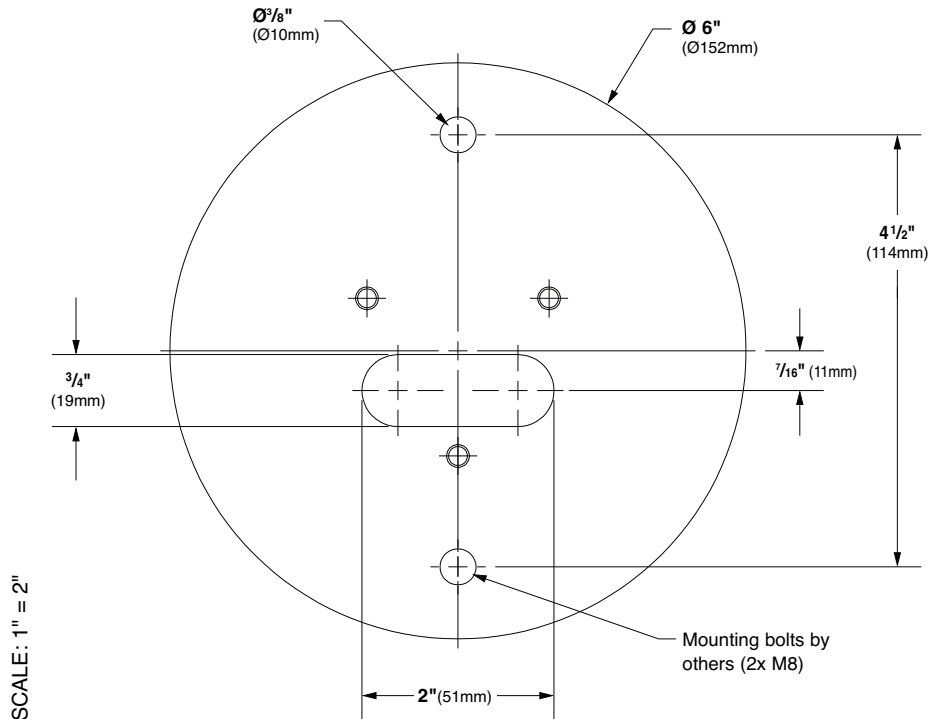
In a continuing effort to offer the best product possible, we reserve the right to change, without notice, specifications or materials that in our opinion will not alter the function of the product. Specification sheets found at www.selux.us are the most recent versions and supercede all other printed or electronic versions.

Universal Surface Mounting (U)

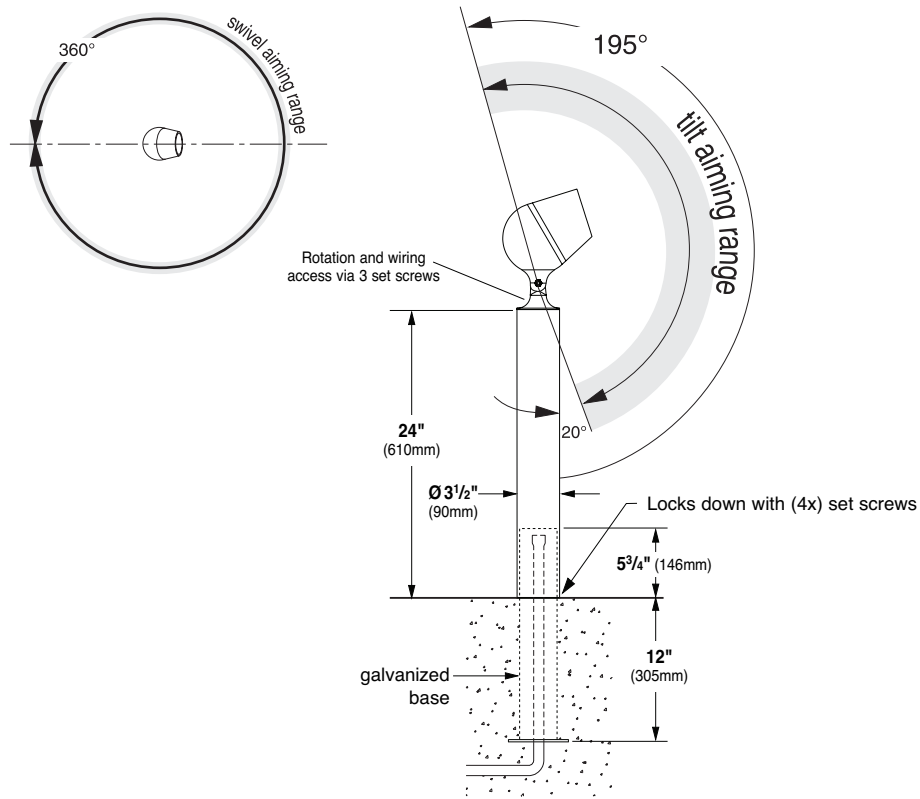


Weight: 11lbs. (5 kg.)

Wall Plate Detail



Buried Base Mounting (BB)



Concrete footing to be designed and installed by others.

Bolt Circle detail

