

Date: \_\_\_\_\_ Customer: \_\_\_\_\_  
 Project: \_\_\_\_\_  
 Type: \_\_\_\_\_ Qty: \_\_\_\_\_



## Olivio Medio LED Bollard



Order Code: \_\_\_\_\_ - \_\_\_\_\_ - \_\_\_\_\_ - \_\_\_\_\_ - \_\_\_\_\_ - \_\_\_\_\_

Series	<b>OLMLB</b> Olivio Medio LED Bollard				
Optics	<b>ASM</b> Asymmetric				
Height	<b>4</b> 4 feet (nominal)				
Light Engine	<b>L46</b> 3246lm/44W nominal	<b>L23</b> 1623/23W nominal	*Based on ASM distribution & 4000K CCT.		
CCT	<b>30</b> 3000K	<b>40</b> 4000K			
Finish	<b>WH</b> White	<b>BK</b> Black	<b>BZ</b> Bronze	<b>SV</b> Silver	<b>SP</b> Specify Premium Color
Voltage	<b>120</b>	<b>208</b>	<b>240</b>	<b>277</b>	
Options	<b>DM<sup>1</sup></b> Dimming, 0-10V	<b>20kA</b> Surge Suppression	<sup>1</sup> Only available with L46		

### Product Modifications

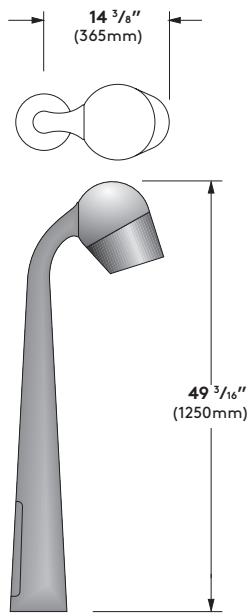
Please list modification requirements for review by factory:

### Approvals



Date: \_\_\_\_\_

**OLMLB**



**Specifications**

**1. Luminaire Housing** - Two piece high pressure die cast housing, made of low copper aluminum alloy. Single recessed captive screw allows easy access to light engine & gear tray components.

**2. Bollard Base**- Cast of low-copper aluminum.

**3. Gasketing** - (not shown) UV and ozone-resistant, silicone gasket between fixture housing and lens base provide IP67 level ingress protection. IP rated micro-membrane ensures pressure compensation.

**4. Lens** - (not shown) Fixed horizontal clear spread lens.

**5. LED Light Engine** - (not shown) made from high flux COB and vacuum metalized aluminum reflectors. Selux is using brand name LED manufacturers. Available in 3000K and 4000K, CRI minimum 80. Reflectors made from high purity aluminum to ensure high efficiencies throughout lifetime. Complete light engine can be removed easily for future upgrade. LED light engine provides a reported lumen maintenance of 84.3% at 60,000 hours. L70 calculated greater than 60,000 hours.

**6. LED Driver** - Selux uses brand name high efficiency LED drivers. LEDs are driven by RoHS compliant high-efficiency driver. Excellent for cold temperature starting and instant on. Min. operating temperature -40°C/ -40°F.

**7. Surge Protector** - (not shown) Designed to protect luminaire from electrical surge up to 10kA. Surge protection up to 20kA optional.

**8. Power Cord** - (not shown) Pre-installed at factory and fed hidden through the luminaire hinge and hinge arm. Power cords are specified to fit the length of the pole specified with the luminaire.

**Exterior Luminaire Finish -**

Selux utilizes a high quality Polyester Powder Coating. All Selux luminaires and poles are finished in our Tiger Drylac certified facility and undergo a five stage intensive pretreatment process where product is thoroughly cleaned, phosphated and sealed. Selux powder coated products provide excellent salt and humidity resistance as well as ultraviolet resistance for color retention. All products are tested in accordance with test specifications for coatings from ASTM and PCI. Standard exterior colors are White (WH), Black (BK), Bronze (BZ), and Silver (SV).

Selux premium colors (SP) are available, please specify from your Selux color selection guide.

**5 Year Limited LED Luminaire Warranty -**

Selux offers a 5 Year Limited Warranty to the original purchaser that the OLIVIO LED luminaire shall be free from defects in material and workmanship for up to five (5) years from date of shipment. This limited warranty covers the LED driver and LED Light engine when installed and operated according to Selux instructions. For details, see "Selux Terms and Condition of Sale."

**Listings and Ratings:** Luminaire and LED tested to IP67 and IESNA LM-79-08 standards. LED tested to LM-80 standards. Luminaire and LED tested at 25°C ambient temperature.

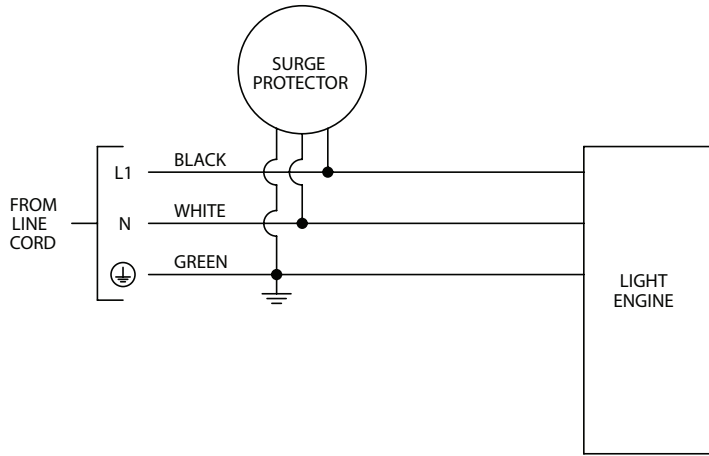
**OLIVIO LED suitable for ambient temperatures of 40°C (104°F). Minimum operating temperature of luminaire at -40°C (-40°F).**

NRTL Listed for wet location (i.e. UL, CSA)

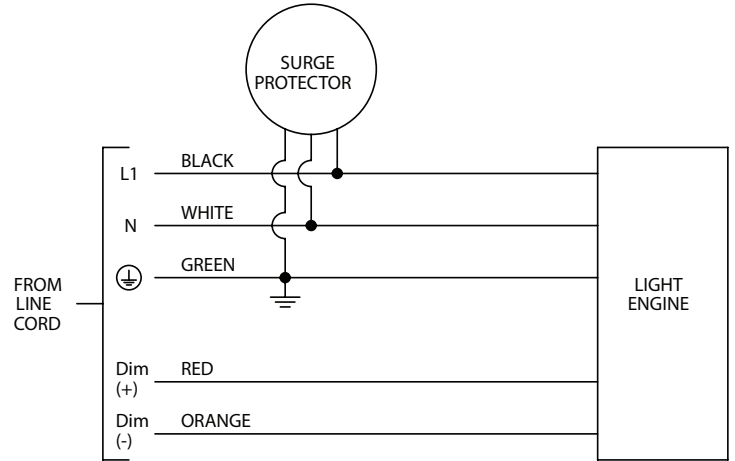
**Visit selux.us for our LED End of Life recycling policy.**

**Wiring**

**Standard Single Wiring**

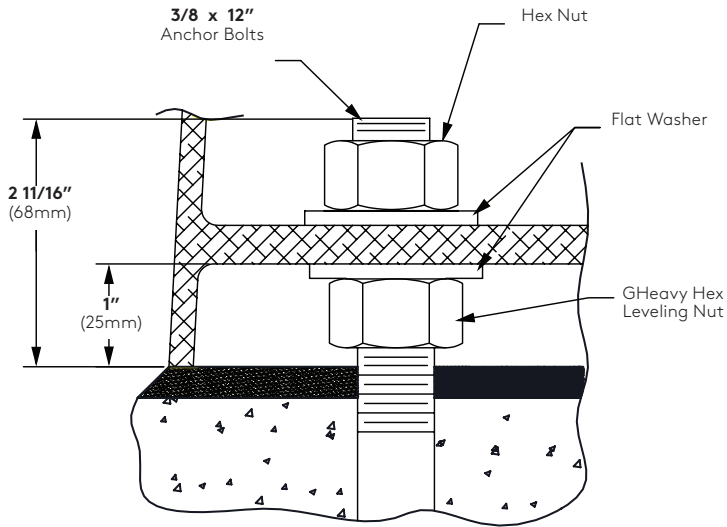


**0-10V Dimming Option (DM) Wiring**  
L46, 120-277V.

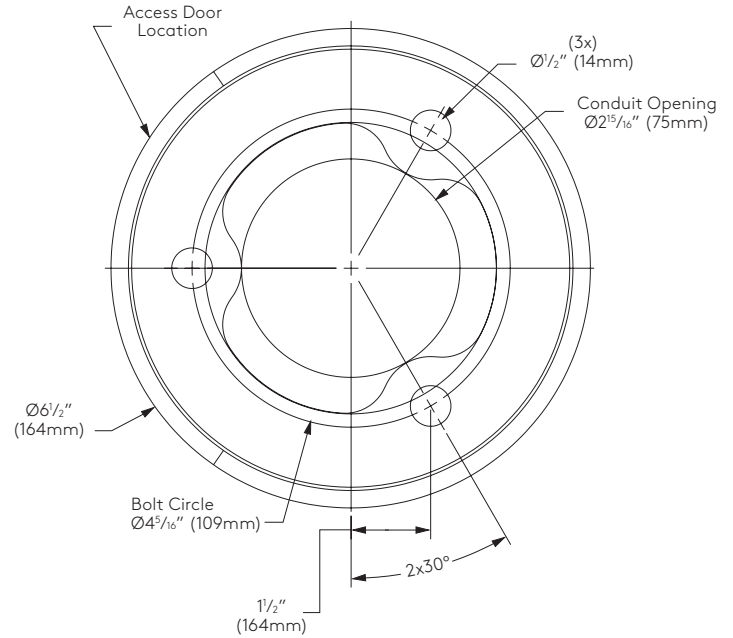


Mounting Details

Mounting Detail (OLMLB)



Bolt Circle (OLMLB)



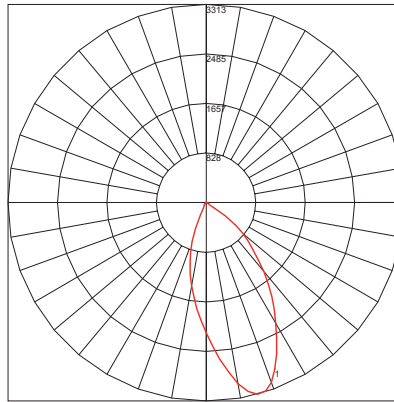
**Note:** Please contact Selux factory to verify above bolt circle template prior to installation

**Photometry**

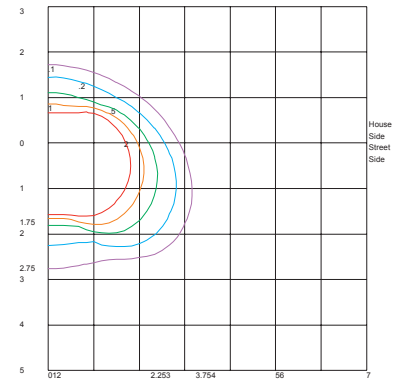
ASM / 44W LED / 4000K CCT

Catalog #: OLMLB-ASM-L46-40-120  
 Delivered Lumens: 3246  
 Input Watts: 44.25W  
 CRI: >83.5  
 Maximum candela of 3313.3  
 Power Factor: 0.988  
 Total Harmonic Distortion: 5.11%  
 BUG Rating: B1-U1-G0

[Link to photometry \(PDF\)](#)  
[Link to photometry \(IES\)](#)



Maximum Candela = 3313.3 Located At Horizontal Angle = 357.5, Vertical Angle = 15  
 # 1 - Vertical Plane Through Horizontal Angles (357.5 - 177.5) (Through Max. Cd.)

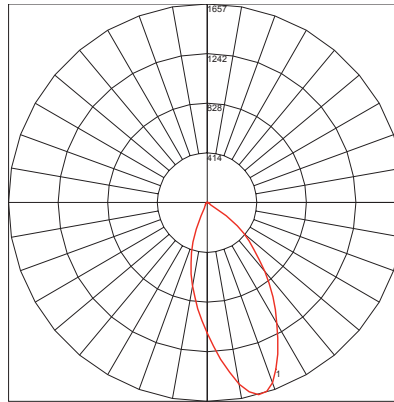


Distance In Units Of Mounting Height  
 Values Based On 4 Foot Mounting Height

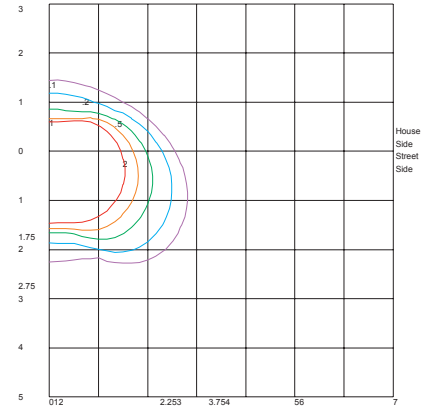
ASM / 23W LED / 4000K CCT

Catalog #: OLMLB-ASM-L23-40-120  
 Delivered Lumens: 1623  
 Input Watts: 22.13W  
 CRI: >83.5  
 Maximum candela of 1656.65  
 Power Factor: 0.988  
 Total Harmonic Distortion: 9.23%  
 BUG Rating: B1-U1-G0

[Link to photometry \(PDF\)](#)  
[Link to photometry \(IES\)](#)



Maximum Candela = 1656.65 Located At Horizontal Angle = 357.5, Vertical Angle = 15  
 # 1 - Vertical Plane Through Horizontal Angles (357.5 - 177.5) (Through Max. Cd.)



Distance In Units Of Mounting Height  
 Values Based On 4 Foot Mounting Height

CCT Multiplier	
4000K	1.000
3000K	0.986

CCT multipliers apply to the photometry, & IES files.