

Olivio Medio - Sistema 2 Arm Mount

selux



Lines 2, 3 and 4 and line quantities applicable to SBx mounting only

Project:

Type:

Qty:

FIXT #	QTY	SERIES -	OPTICS -	MOUNTING -	LAMPING -	LAMP COLOR -	FINISH -	VOLTAGE -	ACCESS.1 -	ACCESS.2
1		OLM-	-	-	-	-	-	-	-	-
2		OLM-	-	-	-	-	-	-	-	-
3		OLM-	-	-	-	-	-	-	-	-
4		OLM-	-	-	-	-	-	-	-	-

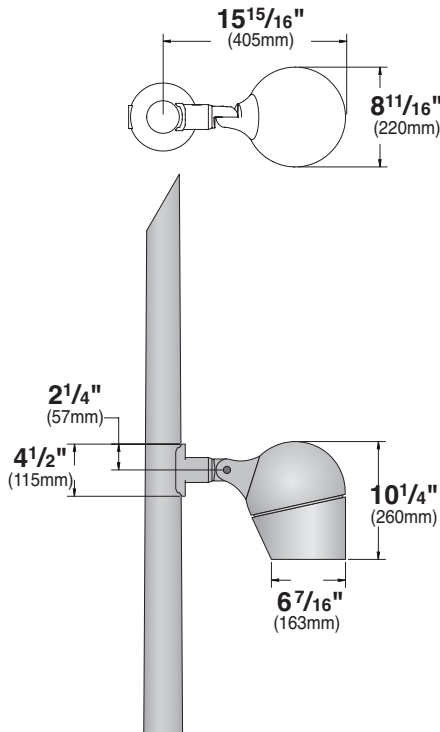
SBx only - FIRST specify pole arm locations on page 4, THEN assign fixture numbers to pole locations below.

POLE SERIES	HEIGHT	FINISH	RIVNUT PAIRS	OPT. 1	OPT. 2	LOC.1	LOC.2	LOC.3	LOC.4	LOC.5	LOC.6	LOC.7	LOC.8
use pulldowns to assign fixture # to arm locations:													

Series	Optics	Mounting	Lamping	Lamp Color	Finish	Voltage	Options
OLM Olivio Medio	SN Spot Narrow 2x 4° (8° total)	SBx ² Specify Arm Locations (x = number of arms)	Ceramic Metal Halide H020T6 20W T6 H039T6 39W T6 H070T6 70W T6	Ceramic Metal Halide 830 3000°K 842 4200°K (39W only) 942 4200°K (70W only) NOL Lamp not included	WH White BK Black BZ Bronze SV Silver SP Specify Premium Color	120 277	DS ¹ Dark Sky 0° Tilt Option
	FM Flood Medium 2x 20° (40° total)						LR ^{3,4} Colored Red
	FW Flood Wide 2x 45.6° (91.2° total)						LC ^{3,4} Colored Green
							LB ^{3,4} Colored Blue
							LY ^{3,4} Colored Yellow
							RL ³ Ring Louver
							RLC ³ Ring Louver w/ Closed Center
							SLH ³ Field Rotatable Spread Lens (Factory Set to Horizontal Distribution)
							SLV ³ Field Rotatable Spread Lens (Factory Set to Vertical Distribution)
							HL Honeycomb Louver
							DF ^{3,4} Dichroic Filter (consult factory)
							PC Photo Cell (must be specified with pole. Consult factory)

¹ Full-Cutoff optics ² Use chart on page 4, codes will be filled in automatically ³ Up to 2 accessories may be chosen. ⁴ Up to 39WT6

OLM-xx-xxxx-xxx-SB1



1. Housing - Pressure die-cast aluminum two-piece, single captive set screw for easy access.

2. Gasketing - Continuous silicone gasket between fixture housing and lens base provide IP67 level ingress protection.

3. Lens - Tempered clear glass lens held by mechanical fasteners. Linear spread lens, color filter glass, dichroic filters or honeycomb louver available as accessories.

4. Optics - Precision formed, high performance reflector, in highly specular or diffuse finishes. Constructed of high purity aluminum with chemically brightened and anodized finish to produce optimum reflectivity for specified distributions.

5. Lamping - As indicated. Selux provided lamps use brand name manufacturers.

6. Socket - 2-pin G12 base 5kV ceramic/PPS lamp holder for T-6/T-7.5 lamps; 2-pin G8.5 base, 5kV ceramic lamp holder for T-4/T-4.5 lamps.

7. Ballasting - Electronic, low THD, high power factor ballast.

8. Arm - Cast aluminum mounting arms for flexible pole mounting. Fixture head joint provides tilt-swivel range from 0° to 175°, and 360° rotation. Locks down with set screws.

9. Rivnuts - (2) Two Rivnuts required per Fixture Arm and installed by manufacturer.

Exterior Luminaire Finish - Selux utilizes a high quality Polyester Powder Coating. All Selux luminaires and poles are finished in our Tiger Drylac certified facility and undergo a five stage intensive pretreatment process where product is thoroughly cleaned, phosphated and sealed. Selux powder coated products provide excellent salt and humidity resistance as well as ultra violet resistance for color retention. All products are tested in accordance with test specifications for coatings from ASTM and PCI.

Standard exterior colors are White (WH), Black (BK), Bronze (BZ), and Silver (SV). Selux premium colors (SP) are available, please specify from your Selux color selection guide. Hot Dip Galvanized finish (GV) on all steel parts also available.

Selux Corp. © 2018
TEL (845) 834-1400
FAX (845) 834-1401
www.selux.us
OLM-SB-0218-01 (ss-v4.1)

NRTL Listed (i.e. UL, CSA)

Union Made Affiliated
with IBEW Local 363



IP67

In a continuing effort to offer the best product possible, we reserve the right to change, without notice, specifications or materials that in our opinion will not alter the function of the product. Specification sheets found at www.selux.us are the most recent versions and supercede all other printed or electronic versions.

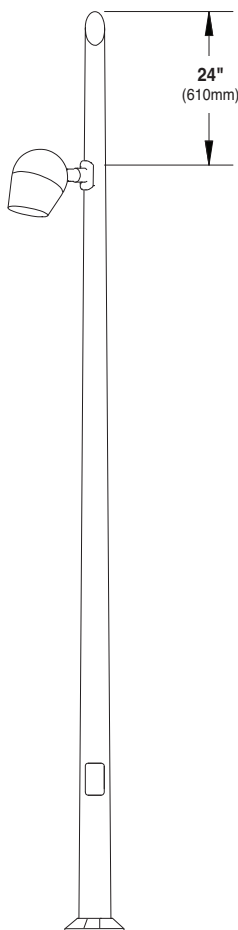
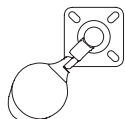
Olivio Medio - Sistema 2 Arm Mount

selux

Mounting Configurations

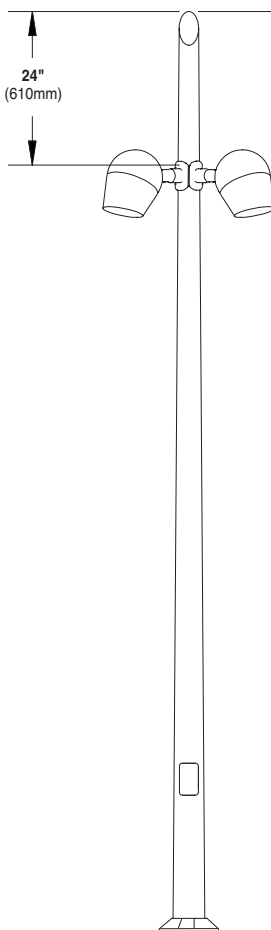
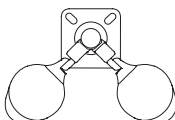
Single

(Arm Location: 0D)
EPA = 0.5 ft² (0.046 m²)
Weight = 15 lbs. (7 kg)
Rivnuts = 1 pair (RN1)



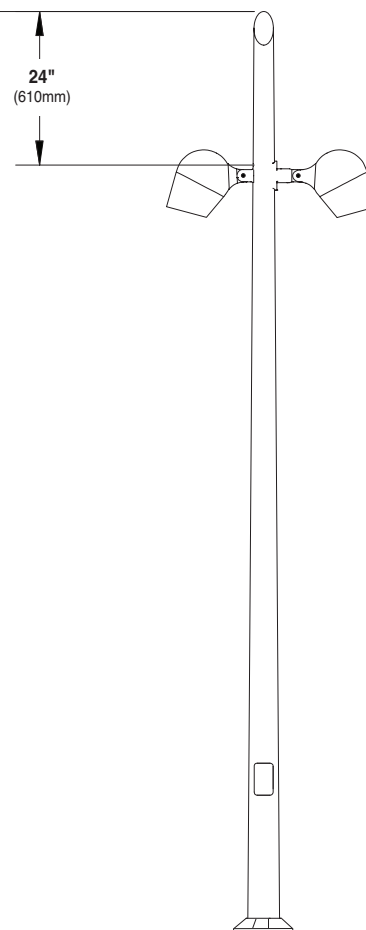
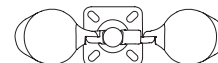
Double @ 90°

(Arm Locations: 0D-0V)
EPA = 0.9 ft² (0.083 m²)
Weight = 31 lbs. (14 kg)
Rivnuts = 2 pair (RN2)



Double @ 180°

(Arm Locations: 0G-0S)
EPA = 0.9 ft² (0.083 m²)
Weight = 31 lbs. (14 kg)
Rivnuts = 2 pair (RN2)



Pole
Height
(12'shown)

Olivio Medio - Sistema 2 Arm Mount

selux

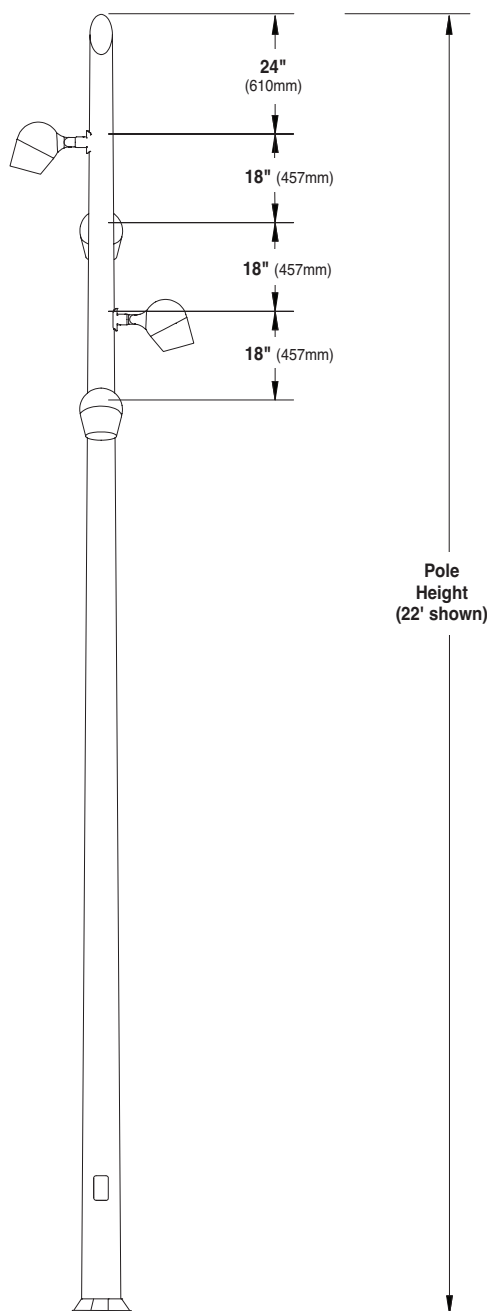
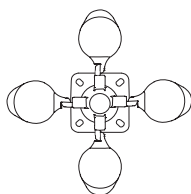
Mounting Configurations

Quad Pole Arms stepped @ 90° (Arm Locations: 0G-1M-2S-3A)

EPA = 1.9ft² (0.177 m²)

Weight = 62 lbs. (28 kg)

Rivnuts = 4 pair (RN4)

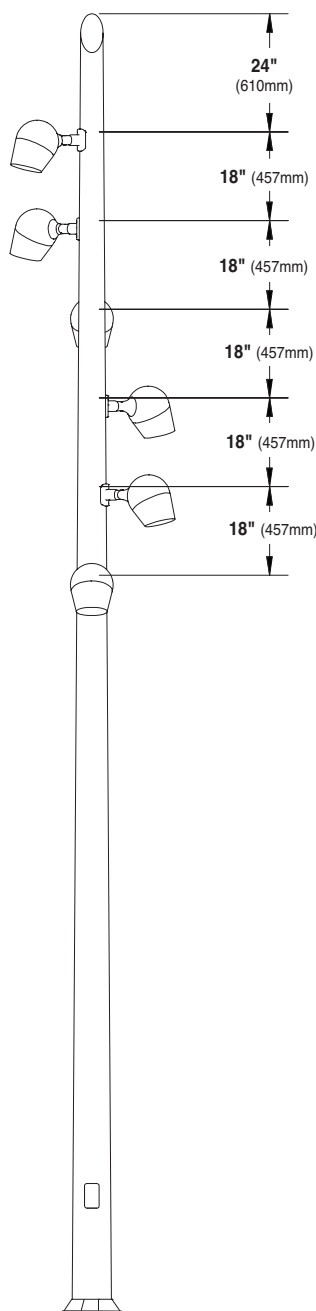
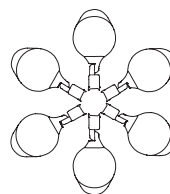


6 Fixture Pole Arms stepped @ 60° (Arm Locations: 0E-1I-2M-3Q-4U-5A)

EPA = 2.8 ft² (0.260 m²)

Weight = 92 lbs. (42 kg)

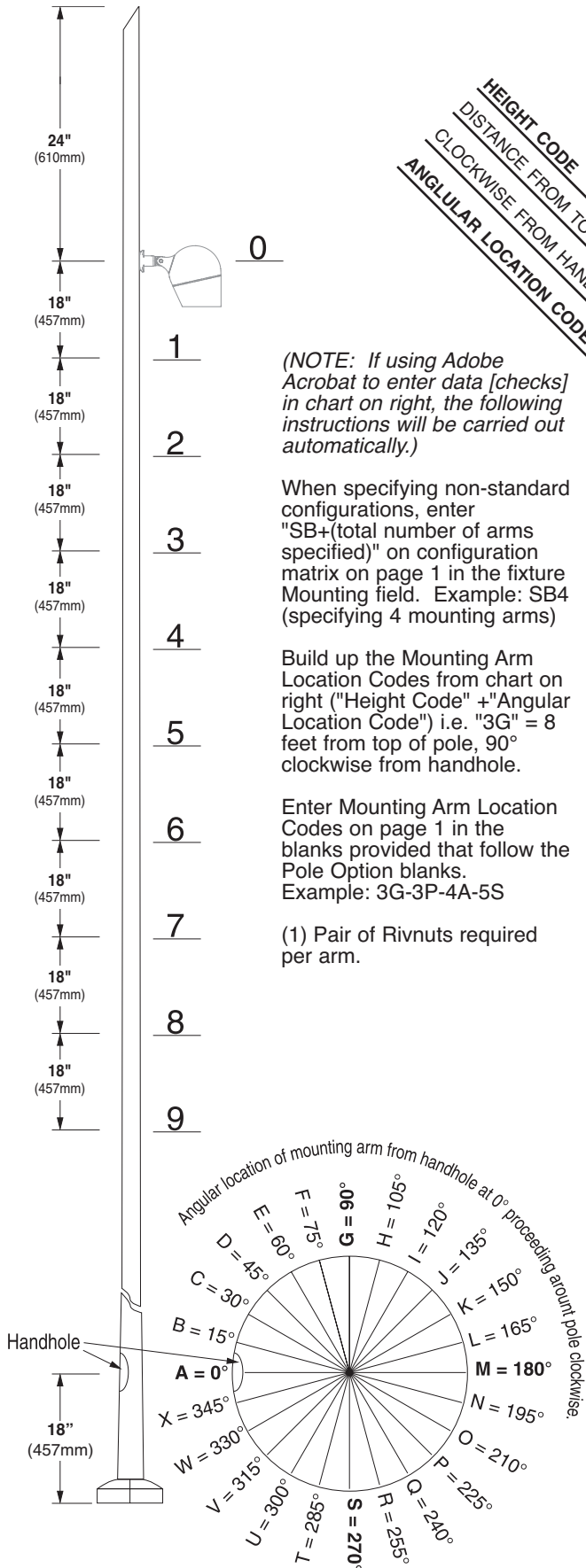
Rivnuts = 6 pair (RN6)



Olivio Medio - Sistema 2 Arm Mount



Specify Mounting Configurations



Use checkboxes provided in chart below. Columns #0 through #9 indicate heights starting with 2 feet (610mm) below top of pole and proceeding downwards in increments of 18 inches (457mm). Rows A through X indicate angular placement around pole starting with 0° at handhole and proceeding clockwise.

NOTE: Arms mounted at same height level must be spaced apart at 90° minimum. Arms mounted at adjacent height levels (18" apart) must be spaced apart at 45° minimum.

	0	1	2	3	4	5	6	7	8	9
	2'	3.5'	5'	6.5'	8'	9.5'	11'	12.5'	14'	15.5'
A	0°									
B	15°									
C	30°									
D	45°									
E	60°									
F	75°									
G	90°									
H	105°									
I	120°									
J	135°									
K	150°									
L	165°									
M	180°									
N	195°									
O	210°									
P	225°									
Q	240°									
R	255°									
S	270°									
T	285°									
U	300°									
V	315°									
W	330°									
X	345°									

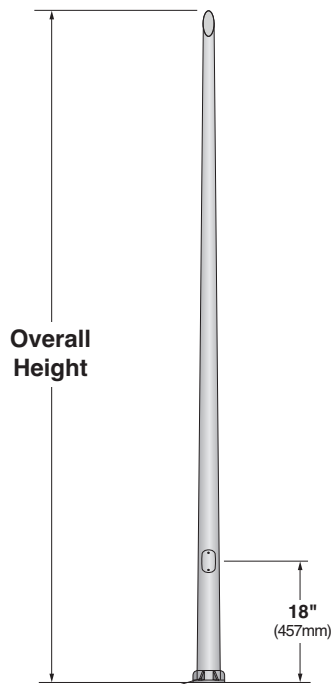
Olivio Medio - Sistema 2 Arm Mount

selux

Pole Information

Angled top poles: O-AT53-156, O-AT53-188, O-ST5936-11, O-AT74-156, OAT845-188, OST5928-11, O-ST733-11, O-AT845-250, O-ST838-11, O-ST838-7

Flat top poles: AC35, SC35, ATC535, ATC635, ATC106



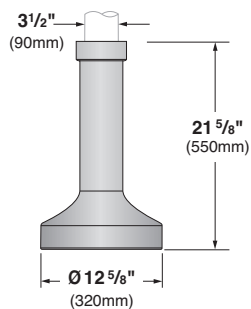
O-AT845 supplied with nut covers



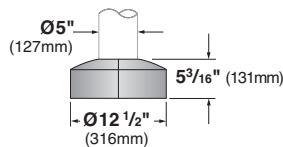
Optional Base Covers

Die cast aluminum, two piece field installable base covers

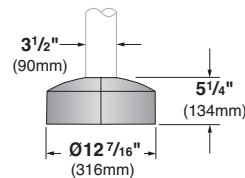
BC1 - Available for:
AC35-197
SC35-125



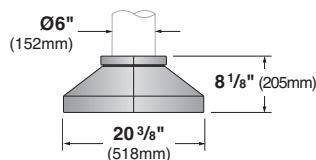
BC3 - Available for:
O-AT535-156
O-AT535-188
ATC535-156
ATC535-188



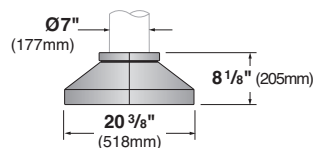
BC5 - Standard with:
AC35-197
SC35-125



BC9 - Available for:
O-ST5928-11
O-ST5936-11
ATC635-188



BC10 - Available for:
O-AT74-156
O-ST733-11



Olivio Medio - Sistema 2 Arm Mount



Pole Information

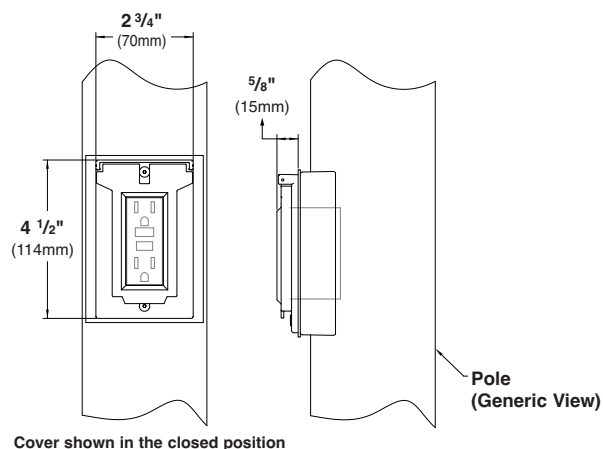
Refer to individual pole specification sheets for construction details, anchorage information and additional options.

Pole Series	Wall	EPA Information (ft ²)				Height	Finish	Rivnut Pairs	Options
		80 mph	90 mph	100 mph	110 mph				
O-A35-197 3.5" Round Straight Alum Pole	0.197	7.3	5.4	4.0	3.1	12 12 ft.	WH White BK Black	RN1 1 Pair RN2 2 Pairs	BC1 Decorative Cast Aluminum Base Cover
O-AT535-156 5"-3.5" Round Tapered Alum Pole	0.156	14.4	10.9	8.6	6.9				
O-A35-197 3.5" Round Straight Alum Pole	0.197	5.8	4.2	3.0	2.2	14 14 ft.	BZ Bronze SV Silver	RN3 3 Pairs RN4 4 Pairs	BC3 Die Cast Two-Piece Base Cover
O-AT535-156 5"-3.5" Round Tapered Alum Pole	0.156	9.4	7.1	5.5	4.4				
O-AT535-156 5"-3.5" Round Tapered Alum Pole	0.156	7.7	5.6	4.2	3.3	16 16 ft.	SP Specify Premium Color	RN5 5 Pairs RN6 6 Pairs	BC5 Two-piece Cast Aluminum Base Cover
O-AT64-156 6"-4" Round Tapered Alum Pole	0.156	14.1	10.8	8.6	7.0				
O-ST5936-11 5.9"-3.6" Tapered Steel Pole	11 ga	19.3	15.1	12.2	10.0	18 18 ft.		RN7 7 Pairs RN8 8 Pairs	PC Photocell where applicable (must be specified with luminaire. Consult factory)
O-AT535-188 5"-3.5" Round Tapered Alum Pole	0.188	7.8	5.6	4.2	3.2				
O-AT64-156 6"-4" Round Tapered Alum Pole	0.156	11.5	8.7	6.9	5.5	20 20 ft.			REC GFCI Receptacle w/ weather-proof cover
O-AT74-156 7"-4" Round Tapered Alum Pole	0.156	17.2	13.3	10.6	8.6				
O-AT535-188 5"-3.5" Round Tapered Alum Pole	0.188	6.4	4.5	3.2	2.4				REC2 GFCI Receptacle w/ padlockable in-use cover
O-AT64-156 6"-4" Round Tapered Alum Pole	0.156	9.6	7.1	5.6	4.4				
O-AT74-156 7"-4" Round Tapered Alum Pole	0.156	15.0	11.4	9.0	7.3				
Other pole configurations available, consult factory EPA Calculations allow for 1.3 Gust Factor See Mounting Page for fixture w/arm EPA values									

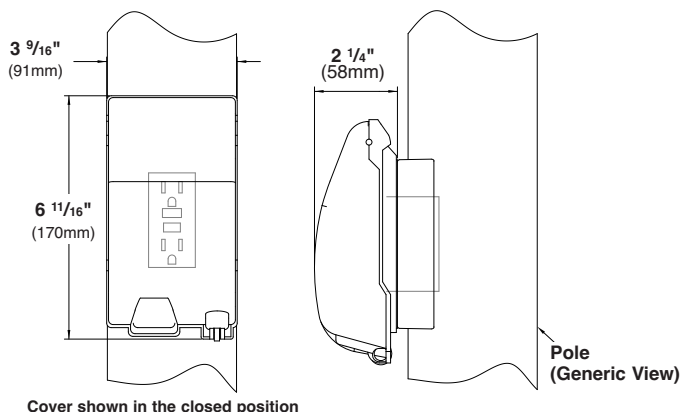
(1) Pair of Rivnuts is required for every mounting arm in pole mount applications. Rivnut codes are denoted in pairs (1 pair Rivnuts = RN1, 2 pair Rivnuts = RN2, 3 pair Rivnuts = RN3, etc) and must be specified for all pole mount configurations.

Optional Accessories

GFCI Receptacle (REC) - 120V 15A GFCI duplex receptacle with weather-proof, self-closing cover; located 36" (915mm) from base of pole, inline with handhole. Receptacle is intended only for portable tools or other portable equipment to be connected to outlet only when attended by operating personnel. For use with 120V applications only. For other fixture voltages, please consult factory for wire segregation requirements.

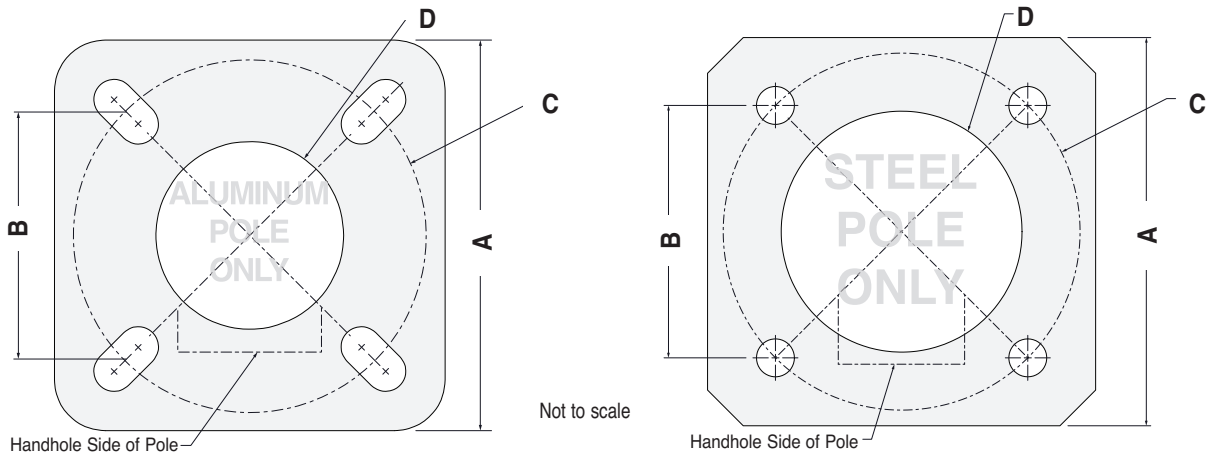


GFCI Receptacle (REC2) - 120V 15A GFCI duplex receptacle with weather-proof, self-closing, padlockable in-use cover; located 36" (915mm) from base of pole, inline with handhole. Receptacle is intended only for portable tools or other portable equipment to be connected to outlet only when attended by operating personnel. For use with 120V applications only. For other fixture voltages, please consult factory for wire segregation requirements.



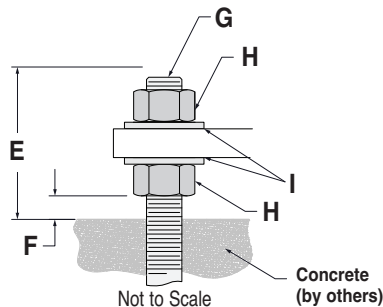
Pole Bolt Circle Details

Mounting Plate Detail



Pole Bolt Circle Info	A Base Plate SQ	B Bolt Spacing SQ	C Bolt Circle Ø	D Conduit Opening Ø
O-A35-197 3.5" Round Straight Alum Pole	8" (203mm)	5 1/2" (139mm)	7 3/4" (197mm)	3" (76mm)
O-AT535-156 5"-3.5" Round Tapered Alum Pole	9 5/8" (244mm)	6 1/8" (155mm)	8 5/8" (219mm)	4 5/8" (117mm)
O-AT535-188 5"-3.5" Round Tapered Alum Pole	9 5/8" (244mm)	6 1/8" (155mm)	8 5/8" (219mm)	4 5/8" (117mm)
O-AT64-156 6"-4" Round Tapered Alum Pole	10 5/16" (262mm)	6 3/4" (172mm)	9 1/2" (241mm)	5 1/2" (140mm)
O-AT74-156 7"-4" Round Tapered Alum Pole	11 1/4" (286mm)	7 1/2" (190mm)	10 9/16" (268mm)	6" (152mm)
O-ST5936-11 5.9"-3.6" Tapered Steel Pole	10" (254mm)	6 3/8" (162mm)	9" (229mm)	5 5/8" (143mm)

Anchor Bolt Detail



Use caution when setting anchor bolts. Bolts must be vertically straight and centered on dimension shown. Concrete footing and feed conduit to be designed and installed by others.

Individual 1:1 scale drawings for installation available, please consult factory.

All Hardware is Galvanized

Pole Anchor Info	E Bolt Projection	F For Leveling	G Anchor Bolt	H Heavy Hex Nut	I Flat Washer
O-A35-197 3.5" Round Straight Alum Pole	3 1/4" (82mm)	1/2" (13mm)	3/4"-10 UNC x 17"	3/4"-10 UNC	3/4" ID
O-AT535-156 5"-3.5" Round Tapered Alum Pole	9 5/8" (244mm)	1/2" (13mm)	3/4"-10 UNC x 17"	3/4"-10 UNC	3/4" ID
O-AT535-188 5"-3.5" Round Tapered Alum Pole	9 5/8" (244mm)	1/2" (13mm)	3/4"-10 UNC x 17"	3/4"-10 UNC	3/4" ID
O-AT64-156 6"-4" Round Tapered Alum Pole	3 1/2" (89mm)	1/2" (13mm)	3/4"-10 UNC x 17"	3/4"-10 UNC	3/4" ID
O-AT74-156 7"-4" Round Tapered Alum Pole	11 1/4" (286mm)	1/2" (13mm)	1"-8 UNC x 36"	1"-8 UNC	1" ID
O-ST5936-11 5.9"-3.6" Tapered Steel Pole	10" (254mm)	1/2" (13mm)	1"-8 UNC x 36"	1"-8 UNC	1" ID