

Olivio Medio - Candelabra Pole Top

selux

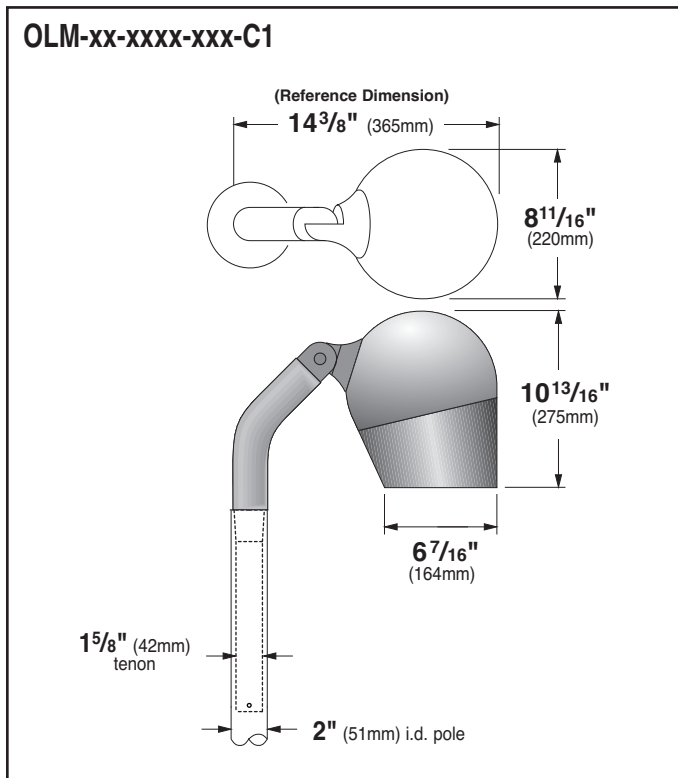


Project: _____

Type: _____ **Qty:** _____

OLM	---	---	---	---	---	---	---
Series	Optics	Mounting	Lamping	Lamp Color	Finish	Voltage	
Options			AT524	---	---	---	---
			Pole Series	Height	Finish	Pole Options	

Series	Optics	Mounting	Lamping	Lamp Color	Finish	Voltage	Options	
OLM Olivio Medio	SN Spot Narrow 2x 3.5°	C1 Single Candelabra Pole Top	Ceramic Metal Halide (Includes electronic ballast) H020T6 20W T6	Ceramic Metal Halide (Includes electronic ballast) 830 3000°K	WH White	120	DS ¹ Dark Sky 0° Tilt Option	
	FM Flood Medium 2x 20°	C2 Double @120° Candelabra Pole Top	H039T6 39W T6 H070T6 70W T6	842 4200°K (39W only) 942 4200°K (70W) NOL Lamp not included	BK Black BZ Bronze SV Silver SP Specify Premium Color	277	LR ^{2,3} Colored Red LG ^{2,3} Colored Green LB ^{2,3} Colored Blue LY ^{2,3} Colored Yellow RL ² Ring Louver RLC ² Ring Louver w/ Closed Center SLH ² Field Rotatable Spread Lens (Factory Set to Horizontal Distribution) SLV ² Field Rotatable Spread Lens (Factory Set to Vertical Distribution) HL ² Honeycomb Louver DF Dichroic Filter (consult factory)	
	FW Flood Wide 2x 45.5°	C2A Double @180° Candelabra Pole Top C3 Triple Candelabra Pole Top						
							¹ Full-Cutoff optics ² Up to 2 accessories may be chosen. ³ Up to 39W T6	



- Housing** - Pressure die-cast aluminum two-piece, single captive set screw for easy access.
- Gasketing** - Silicone gasket between fixture housing and lens base provide IP67 level ingress protection.
- Lens** - Tempered clear glass lens held by mechanical fasteners. Linear spread lens, color filter glass, dichroic filters or honeycomb louver available as accessories.
- Optics** - Precision formed, high performance reflector, in highly specular or diffuse finishes. Constructed of high purity aluminum with chemically brightened and anodized finish to produce optimum reflectivity for specified distributions.
- Lamping** - As indicated. Selux provided lamps use brand name manufacturers.
- Socket** - 2-pin G12 base 5kV ceramic/PPS lamp holder for T-6/T-7.5 lamps; 2-pin G8.5 base, 5kV ceramic lamp holder for T-4/T-4.5 lamps.
- Ballasting** - Electronic, low THD, high power factor ballast for HID lamps.
- Arm** - 45 degree curved aluminum arm. Fixture head joint provides tilt-swivel range from 0° to 175°, as well as 360° rotation. Locks down with set screws.
- Pole Fitter** - Cast aluminum mounting arms include tenon that is inserted into a 2.0" I.D. pole and locked into place with set screws.
- Exterior Luminaire Finish** - Selux utilizes a high quality Polyester Powder Coating. All Selux luminaires and poles are finished in our Tiger Drylac certified facility and undergo a five stage intensive pretreatment process where product is thoroughly cleaned, phosphated and sealed. Selux powder coated products provide excellent salt and humidity resistance as well as ultra violet resistance for color retention. All products are tested in accordance with test specifications for coatings from ASTM and PCI.

Standard exterior colors are White (WH), Black (BK), Bronze (BZ), and Silver (SV). Selux premium colors (SP) are available, please specify from your Selux color selection guide. Hot Dip Galvanized finish (GV) on all steel parts also available.

Selux Corp. © 2017
 TEL (845) 834-1400
 FAX (845) 834-1401
 www.selux.us
 OLM-C-0917-01 (ss-v2.5)

NRTL Listed (i.e. UL, CSA)
 Union Made Affiliated
 with IBEW Local 363



IP67

In a continuing effort to offer the best product possible, we reserve the right to change, without notice, specifications or materials that in our opinion will not alter the function of the product. Specification sheets found at www.selux.us are the most recent versions and supercede all other printed or electronic versions.

Olivio Medio - Candelabra Pole Top

selux

Mounting Configurations

Single (C1)

EPA = 0.7 ft² (0.065 m²)
Weight = 13 lbs. (28.6 kg)

Double @ 120° (C2)

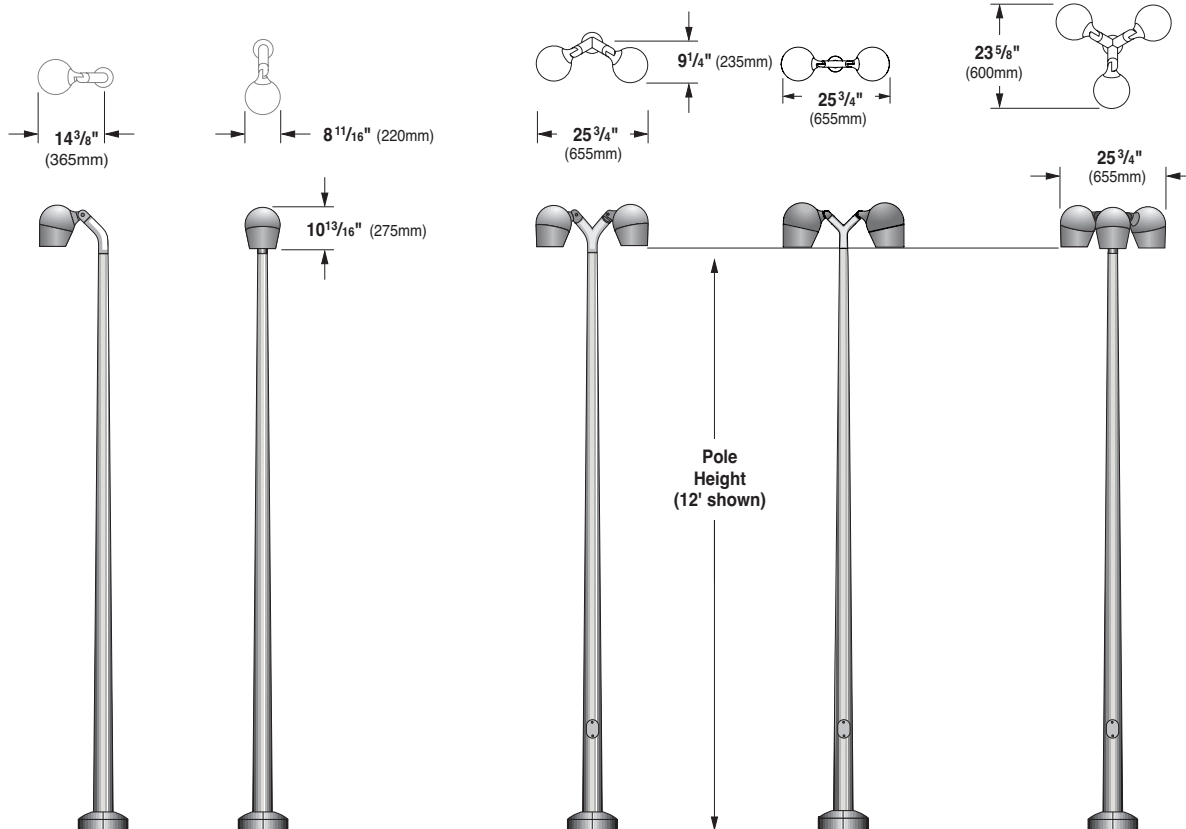
EPA = 1.5 ft² (0.139 m²)
Weight = 26 lbs. (57.2 kg)

Double @ 180° (C2A)

EPA = 1.5 ft² (0.139 m²)
Weight = 26 lbs. (57.2 kg)

Triple @ 120° (C3)

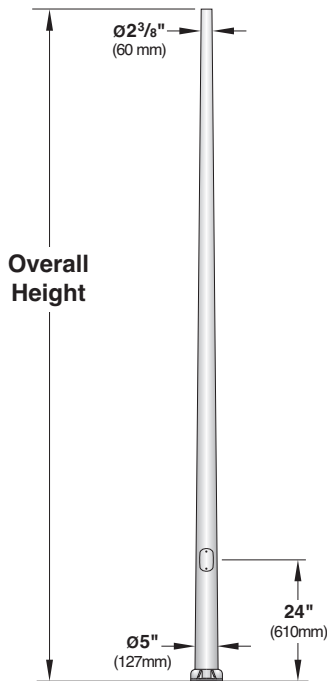
EPA = 2.3 ft² (0.214 m²)
Weight = 39 lbs. (85.8 kg)



Pole Information

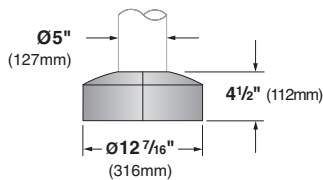
Refer to individual pole specification sheets for construction details, anchorage information and additional options.

AT524 Tapered Aluminum Pole

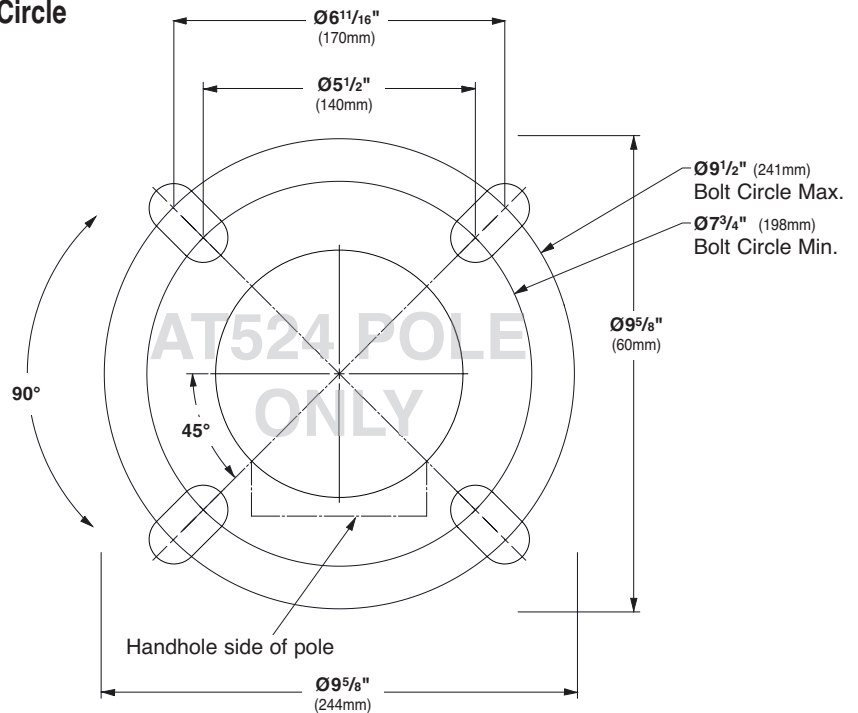


BC3 Optional Base Cover

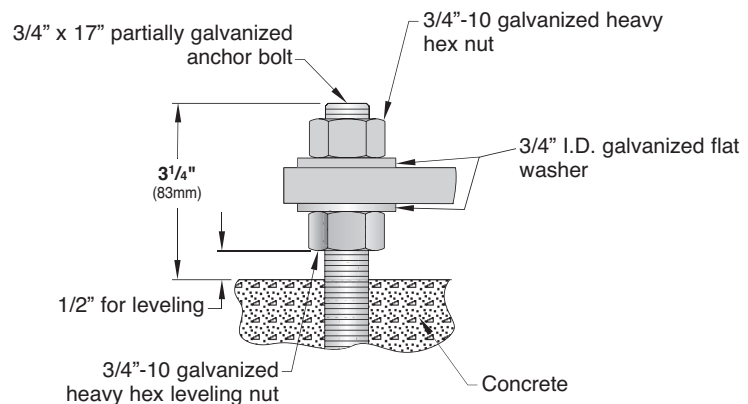
Die cast aluminum, two piece field installable base cover



Bolt Circle



Anchor Bolt



Pole Series	Bolt Circle	Wall	EPA Information (ft ²)				Height	Finish	Options
			80 mph	90 mph	100 mph	110 mph			
AT524	5" to 2.4" Tapered Aluminum Pole	8 1/2"	0.188	15.3	11.7	9.2	7.4	13 13 ft.	BC3 Die Cast Two-Piece Base Cover BK Black BZ Bronze SV Silver SP Specify Premium Color
AT524	5" to 2.4" Tapered Aluminum Pole	8 1/2"	0.188	13.8	10.6	8.3	6.6	14 14 ft.	
AT524	5" to 2.4" Tapered Aluminum Pole	8 1/2"	0.188	12.5	9.5	7.4	5.9	15 15 ft.	
AT524	5" to 2.4" Tapered Aluminum Pole	8 1/2"	0.188	11.4	8.6	6.6	5.2	16 16 ft.	

Other pole configurations available, consult factory

EPA Calculations allow for 1.3 Gust Factor

See Mounting Page for fixture w/arm EPA values