

Date: _____ Customer: _____
 Project: _____
 Type: _____ Qty: _____



Olivio Grande LED



Order Code: OLGL - _____ - _____ - _____ - _____ - _____ - _____

Pole Order Code: _____
 Series Height Finish Options

<u>OLGL</u>	Series	OLGL Olivio Grande LED					
	Optics	S09 Spot, 9°	F40 Flood Medium, 44°	F80 Flood, 78°	ASM Assymetric (no SLH or SLV option)		
	Mounting	U Universal (surface mount)	T1 Single Pole Top				
	Light Engine	L58 58W nominal	L28 28W nominal				
	CCT	30* 3000k	40 4000K	RGBW* (consult factory)			*IDA approved
	Finish	WH White	BK Black	BL Semi-Matte Black	BZ Bronze	SV Silver	SP Specify Premium Color
	Voltage	120	208	240	277	347	
	Options	DS¹ Dark Sky 0° Tilt Option	DM² Dimming, (0-10V)	HL^{2,3} High-Low switching	SLH Spread Lens Horizontal (fixed)	SLV Spread Lens Vertical (fixed)	20kA 20kA Surge Supression
		HX Micro honey comb louver (consult factory)	CF Color Filter (consult factory)				¹ IDA certified "Dark Sky Friendly" for Universal Mounting Only ² Only available with L58 ³ Only available with 120V, 240V, or 277V

Product Modifications

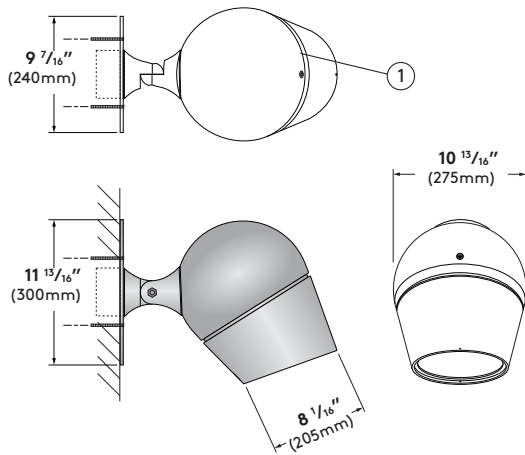
Please list modification requirements for review by factory:

Approvals



Date: _____

OLGL-U



Specifications

1. Luminaire Housing - Two piece high pressure die cast housing, made of low copper aluminum alloy. Single recessed captive screw allows easy access to light engine & gear tray components.

2. Gasketing - (not shown) UV and ozone-resistant silicone gasket between fixture housing and lens base provide IP67 level ingress protection. IP rated micro-membrane ensures pressure compensation.

3. Lens - (not shown) Tempered clear glass lens.

4. LED Light Engine - (not shown) made from high flux COB and vacuum metalized aluminum reflectors. Selux is using brand name LED manufacturers. Available in 3000K and 4000K, CRI minimum 80. Reflectors made from high purity aluminum to ensure high efficiencies throughout lifetime. Complete light engine can be removed easily for future upgrade. LED light engine provides a reported lumen maintenance of 84.3% at 60,000 hours. L70 calculated greater than 60,000 hours.

6. LED Driver - (not shown) Selux uses brand name high efficiency LED drivers. LEDs are driven by RoHS compliant high-efficiency driver. Excellent for cold temperature starting and instant

on. Min. operating temperature -40°C/ -40°F.

7. Surge Protector - (not shown) Designed to protect luminaire from electrical surge up to 10kA. Surge protection up to 20kA optional.

8. Power Cord - (not shown) Pre-installed at factory and fed hidden through the luminaire hinge and hinge arm. Power cords are specified to fit the length of the pole specified with the luminaire.

Exterior Luminaire Finish -

Selux utilizes a high quality Polyester Powder Coating. All Selux luminaires and poles are finished in our Tiger Drylac certified facility and undergo a five stage intensive pretreatment process where product is thoroughly cleaned, phosphated and sealed. Selux powder coated products provide excellent salt and humidity resistance as well as ultra violet resistance for color retention. All products are tested in accordance with test specifications for coatings from ASTM and PCI.

Standard exterior colors are White (WH), Black (BK), Semi-Matte Black (BL), Bronze (BZ), and Silver (SV). Selux premium colors (SP) are available, please specify from your Selux color selec-

tion guide. Hot Dip Galvanized finish (GV) on all steel parts also available.

5 Year Limited LED Luminaire Warranty - Selux offers a 5 Year Limited Warranty to the original purchaser that the OLIVIO LED luminaire shall be free from defects in material and workmanship for up to five (5) years from date of shipment. This limited warranty covers the LED driver and LED Light engine when installed and operated according to Selux instructions. For details, see "Selux Terms and Condition of Sale."

Listings and Ratings: Luminaire and LED tested to IP67 and IESNA LM-79-08 standards. LED tested to LM-80 standards. Luminaire and LED tested at 25°C ambient temperature.

OLIVIO LED suitable for ambient temperatures of 40°C (104°F). Minimum operating temperature of luminaire at -40°C (-40°F).

NRTL Listed for wet location (i.e. UL, CSA)

Visit selux.us for our LED End of Life recycling policy.

Lumen Output for OLGL (58 watts)

Olvio Grande LED	S09	F40	F80	ASM
3000K CRI>80	4380 lm CBCP 66199cd	4430 lm CBCP 7600cd	4229 lm CBCP 2976cd	3489 lm CBCP 2852cd
4000K CRI>80	4506 lm CBCP 68103cd	4827 lm CBCP 7558cd	4350 lm CBCP 3058cd	3634 lm CBCP 2970cd

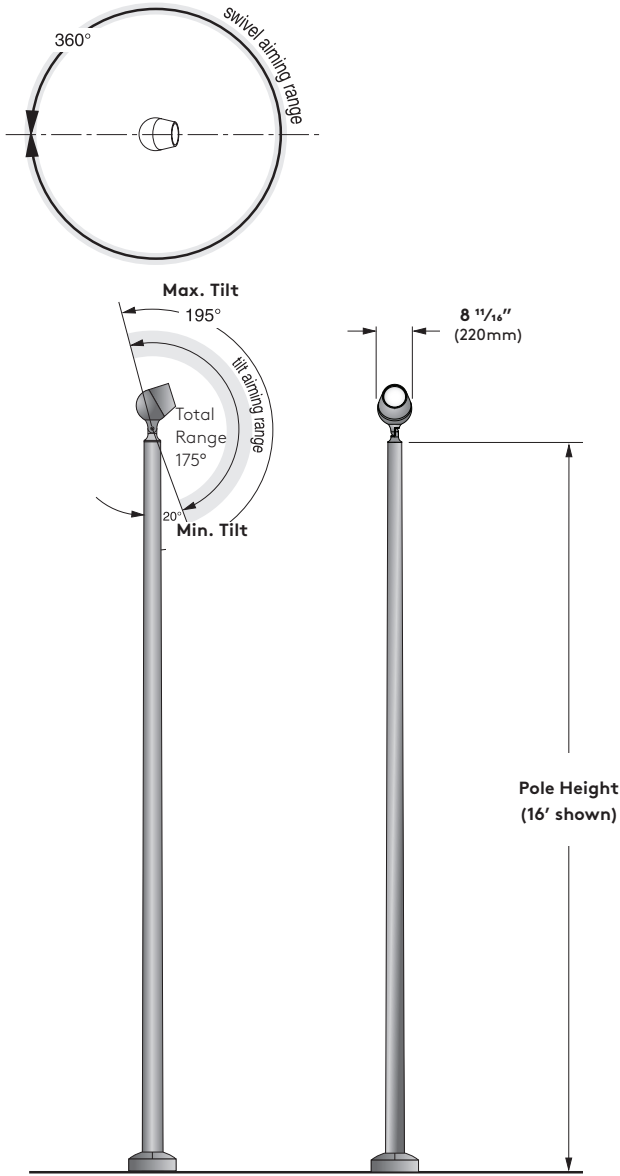
Lumen Output for OLGL (28 watts)

Olvio Grande LED	S09	F40	F80	ASM
3000K CRI>80	2190 lm CBCP 33099.5cd	2215 lm CBCP 3800cd	2114.5 lm CBCP 1488cd	1744.5 lm CBCP 1426cd
4000K CRI>80	2253 lm CBCP 34051.5cd	2413.5 lm CBCP 3779cd	2174 lm CBCP 1531cd	1817 lm CBCP 1485cd

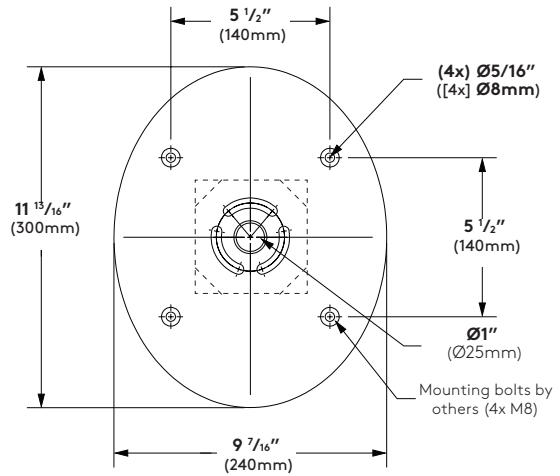
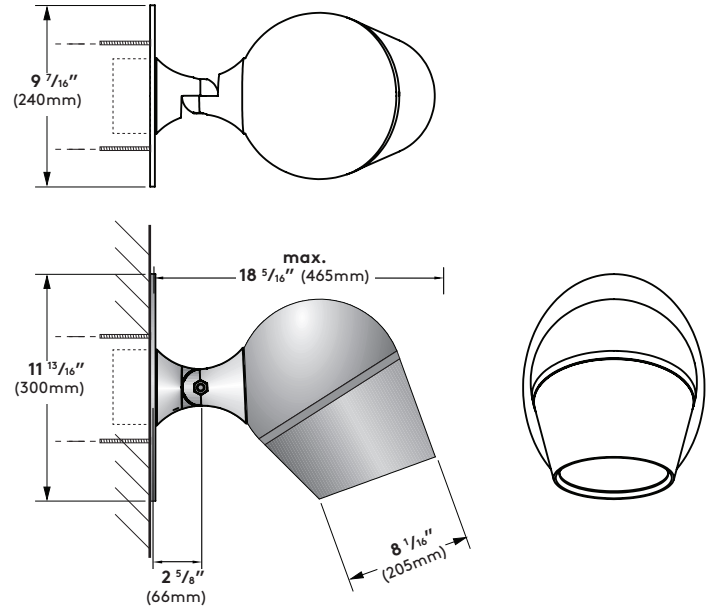
Mounting

Single Pole Top (T1)

EPA = 0.7 ft² (0.065 m²)
 Weight = 17 lbs. (7.7 kg)



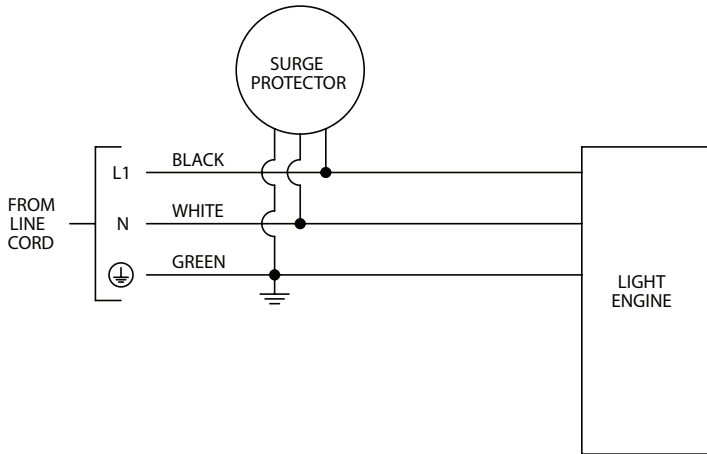
Universal Surface Mounting (U)



Note: Wall plate is mounted to surface structure and over junction box (by others)

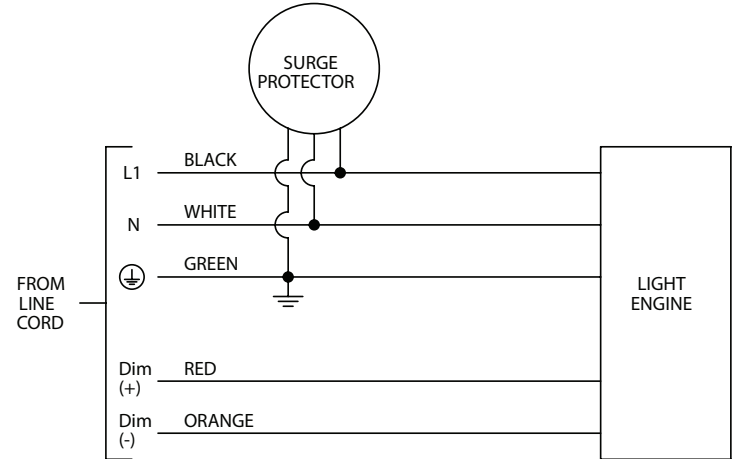
Wiring

Standard Single Wiring

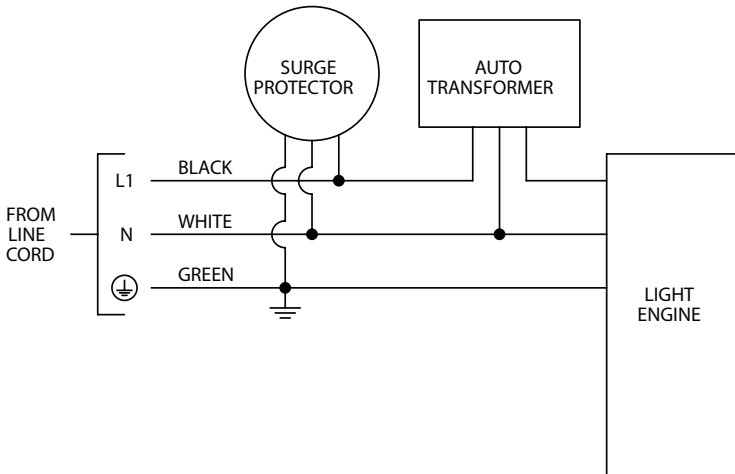


0-10V Dimming Option (DM) Wiring

L58, 120-277V. 347V available with step-down transformer.

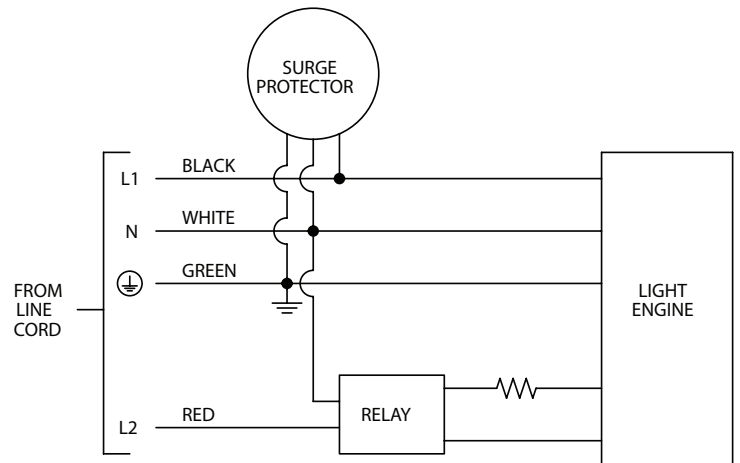


347V



Hi-Lo Switching Option (HL) Wiring

L58, 120V, 240V, 277V. When red is energized, light output will be at "Lo" level. Low output is 50%

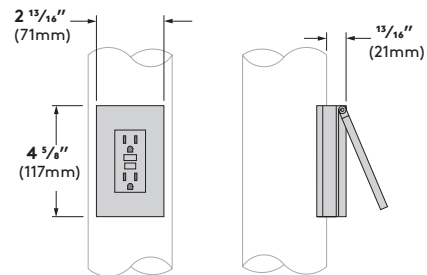


Options

Dark Sky 0° Tilt Option (DS) -Luminaire head tilt angle preset and fixed at factory to comply with IDA Dark Sky and BUG U0 ratings.

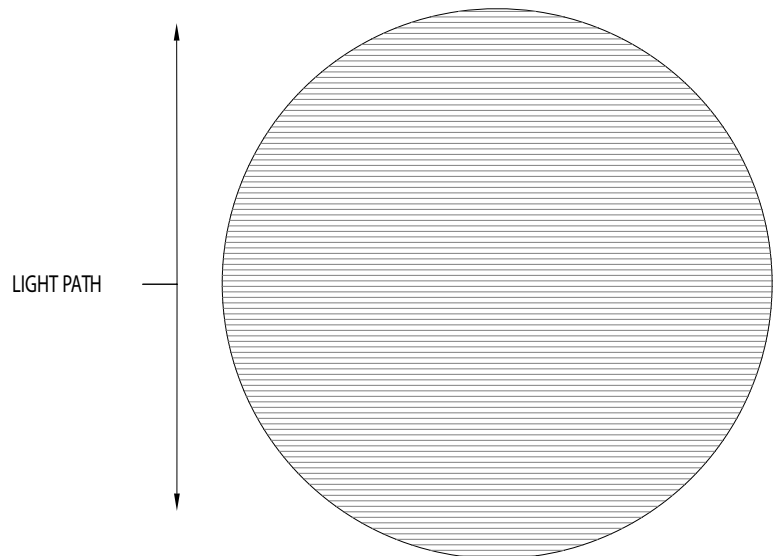
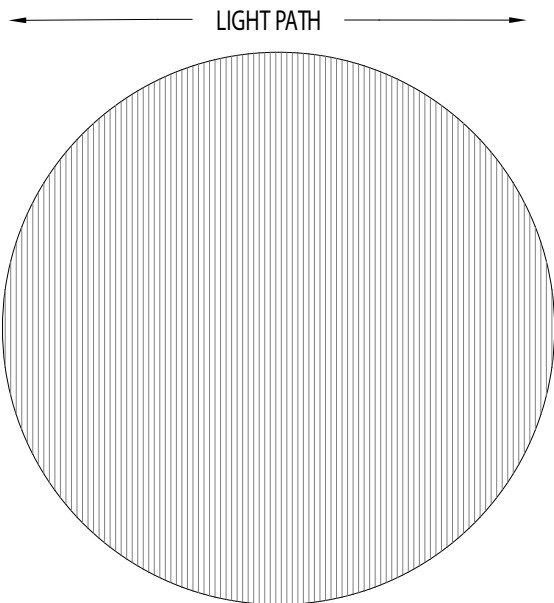
20kA Surge Protection (20kA) - Designed to protect luminaire from electrical surge up to 20kA.

GFCI Receptacle (REC) - 120V GFCI duplex receptacle with cast base bolted to pole and gasketed, provided with weather-proof, self-closing cover; located 36" (915mm) from base of pole, inline with handhole. Receptacle is intended only for portable tools or other portable equipment to be connected to outlet only when attended by operating personnel.



Horizontal spread lens (SLH) - Spread lens for horizontal light distribution. Replaces clear lens and intended to be used with reflectors for S09, F40 or F80 distribution. Preset and fixed at factory.

Vertical spread lens (SLV) - Spread lens for vertical light distribution. Replaces clear lens and intended to be used with reflectors for S09, F40 or F80 distribution. Preset and fixed at factory.



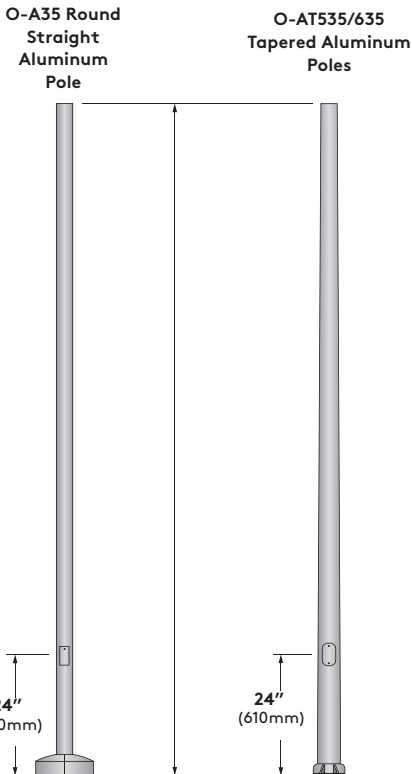
Pole Data Chart

Pole Series	Wall	EPA Information (ft ²)				Height	Finish	Options
		80mph	90mph	100mph	110mph			
O-A35 3 1/2" Round Straight Aluminum Pole	0.197	7.3	5.4	4.0	3.1	12 12 ft.	WH White	BC1 Decorative Cast Aluminum Base Cover (for A35 & S35 poles only)
O-AT535 5" to 3 1/2" Tapered Aluminum Pole	0.156	14.4	10.9	8.6	6.9		BK Black	
O-A35 3 1/2" Round Straight Aluminum Pole	0.197	5.8	4.2	3.0	2.2	14 14 ft.	BZ Bronze	BC3 Die-cast Two-piece Alum. Base cover (for AT535 poles only)
O-AT535 5" to 3 1/2" Tapered Aluminum Pole	0.156	9.4	7.1	5.5	4.4		SV Silver	
O-AT535 5" to 3 1/2" Tapered Aluminum Pole	0.156	7.7	5.6	4.2	3.3	16 16 ft.	SP Specify Premium Color	BC9 Die-cast Base cover (for AT635 poles only)
O-AT535 5" to 3 1/2" Tapered Aluminum Pole	0.188	7.8	5.6	4.2	3.2			
O-AT535 5" to 3 1/2" Tapered Aluminum Pole	0.188	6.4	4.5	3.2	2.4	20 20 ft.		REC 120V GFCI Receptacle with weatherproof cover ¹
O-AT635 6" to 3 1/2" Tapered Aluminum Pole	0.188	7.0	4.8	3.4	2.6			

EPA Calculations allow for 1.3 Gust Factor

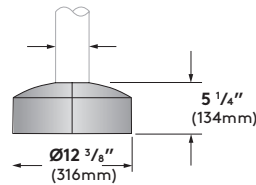
See Mounting Page for fixture w/arm EPA values

Pole Information

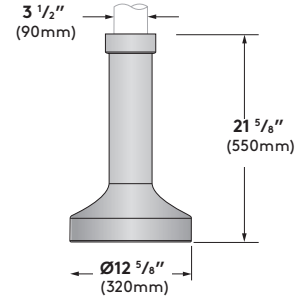


Base Cover Information

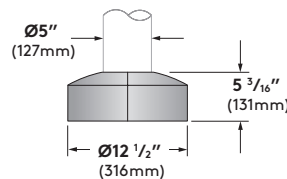
Straight Poles (O-A35) BC5 Standard Base Cover
Two-piece die cast aluminum



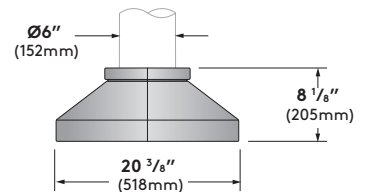
BC1 Optional Base Cover Available for: O-A35-197
One-piece die cast aluminum



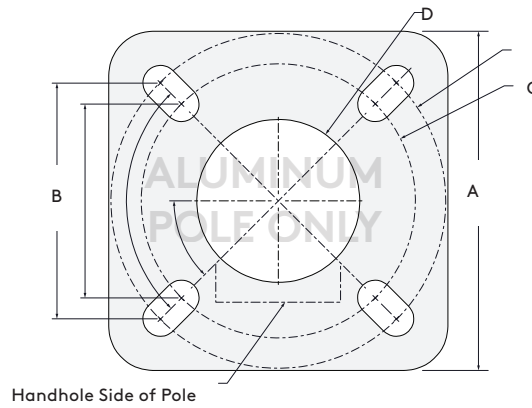
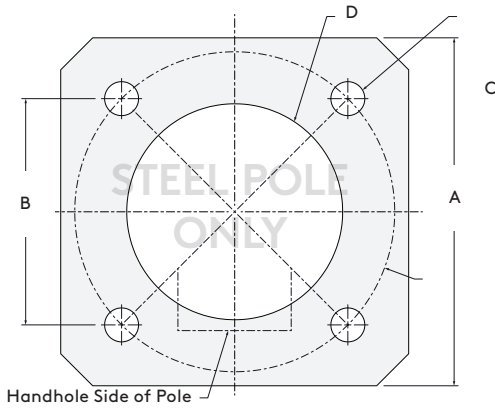
BC3 - Available for:
O-AT535-156
O-AT535-188



BC9 - Available for:
O-AT64-156
O-ST5936-11

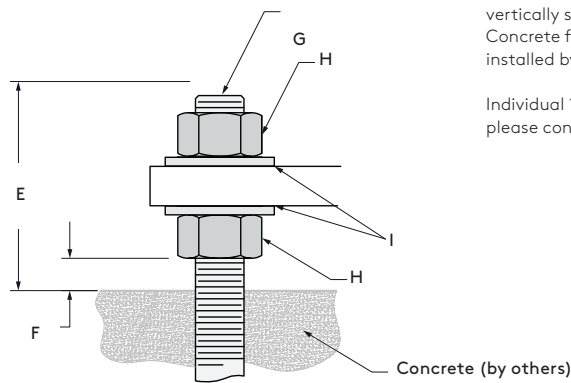


Mounting Plate Detail



Mounting Plate Details	A Base Plate SQ	B Base Plate SQ	C Base Circle Ø	D Conduit Opening Ø
O-A35-197 3.5" Round Straight Alum Pole	8" (203mm)	5 1/2" (139mm)	7 3/4" (197mm)	3" (76mm)
O-AT535-156 5" to 3.5" Round Tapered Alum Pole	9 5/8" (244mm)	6 1/8" (155mm)	8 5/8" (219mm)	4 5/8" (117mm)
O-AT535-188 5" to 3.5" Round Tapered Alum Pole	9 5/8" (244mm)	6 1/8" (155mm)	8 5/8" (219mm)	4 5/8" (117mm)
O-AT635-188 6" to 3.5" Round Tapered Alum Pole	10 5/16" (262mm)	6 11/16" (171mm)	9 1/2" (241mm)	5 1/2" (140mm)

Anchor Bolt Detail



Use caution when setting anchor bolts. Bolts must be vertically straight and centered on dimension shown. Concrete footing and feed conduit to be designed and installed by others.

Individual 1:1 scale drawings for installation available, please consult factory.

All Hardware is Galvanized

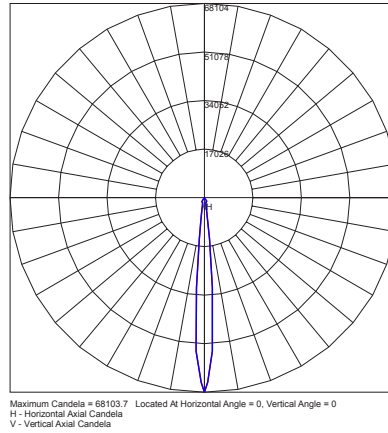
Anchor Bolt Details	E Bolt Projection	F For Leveling	G Anchor Bolt	H Heavy Hex Nut	J Flat Washer
O-AT535-156 5" to 3.5" Round Tapered Alum Pole	3 1/4" (82mm)	1/2" (13mm)	3/4"-10 UNC x 17"	3/4"-10 UNC	3/4" ID
O-AT535-188 5" to 3.5" Round Tapered Alum Pole	3 1/4" (82mm)	1/2" (13mm)	3/4"-10 UNC x 17"	3/4"-10 UNC	3/4" ID
O-AT635-188 6"-3.5" Round Tapered Alum Pole	3 1/2" (89mm)	1/2" (13mm)	3/4"-10 UNC x 17"	3/4"-10 UNC	3/4" ID
O-A35-197 3.5" Round Straight Alum Pole	3 1/2" (89mm)	1/2" (13mm)	3/4"-10 UNC x 17"	3/4"-10 UNC	3/4" ID

Photometry

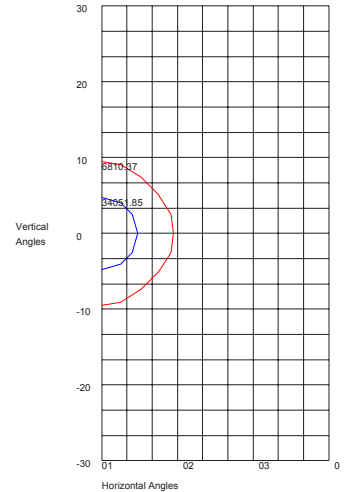
S09 / 56W LED / 4000K CCT

Catalog #: OLGL-S09-L58-40-120
 Delivered Lumens: 4506
 Input Watts: 56W
 CRI: >83.5
 Maximum candela of 68103.7
 Maximum candela angle: 0H-0V
 NEMA Classification: 1H x 1V
 Power Factor: 0.998
 Total Harmonic Distortion: 4.29%

[Link to photometry \(PDF\)](#)
[Link to photometry \(IES\)](#)



Maximum Candela = 68103.7 Located At Horizontal Angle = 0, Vertical Angle = 0
 H - Horizontal Axial Candela
 V - Vertical Axial Candela

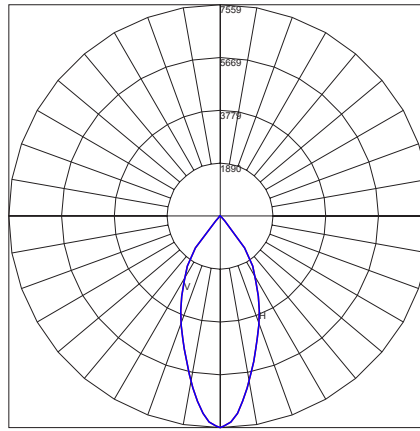


Maximum Candela = 68103.7 Located At Horizontal Angle = 0, Vertical Angle = 0
 50% Maximum Candela = 34051.85
 10% Maximum Candela = 8103.37

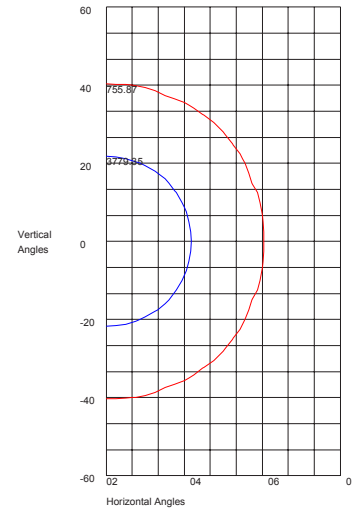
F40 / 56W LED / 4000K CCT

Catalog #: OLGL-F40-L58-40-120
 Delivered Lumens: 4585
 Input Watts: 56W
 CRI: >83.5
 Maximum candela of 7558.7
 Maximum candela angle: 0H-0V
 NEMA Classification: 5H x 5V
 Power Factor: 0.998
 Total Harmonic Distortion: 4.29%

[Link to photometry \(PDF\)](#)
[Link to photometry \(IES\)](#)



Maximum Candela = 7558.7 Located At Horizontal Angle = 0, Vertical Angle = 0
 H - Horizontal Axial Candela
 V - Vertical Axial Candela

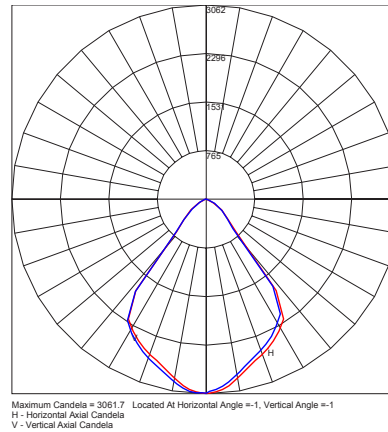


Maximum Candela = 7558.7 Located At Horizontal Angle = 0, Vertical Angle = 0
 50% Maximum Candela = 3779.35
 10% Maximum Candela = 755.87

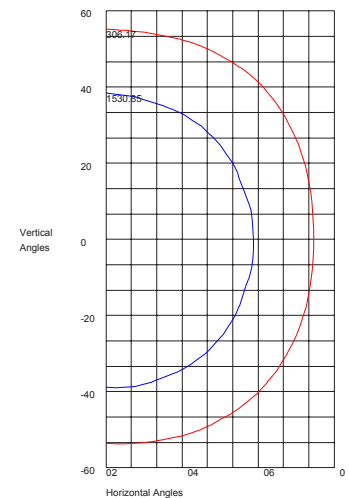
F80 / 56W LED / 4000K CCT

Catalog #: OLGL-F80-L58-40-120
 Delivered Lumens: 4350
 Input Watts: 56W
 CRI: >83.5
 Maximum candela of 3061.7
 Maximum candela angle: 0H-0V
 NEMA Classification: 6H x 6V
 Power Factor: 0.998
 Total Harmonic Distortion: 4.29%

[Link to photometry \(PDF\)](#)
[Link to photometry \(IES\)](#)



Maximum Candela = 3061.7 Located At Horizontal Angle = 0, Vertical Angle = 0
 H - Horizontal Axial Candela
 V - Vertical Axial Candela



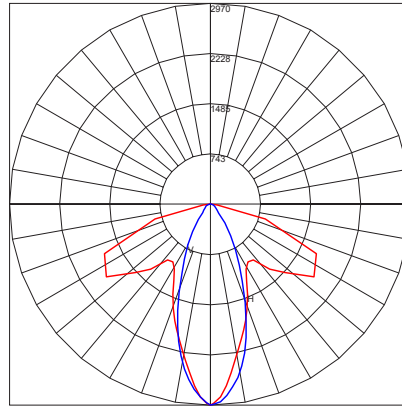
Maximum Candela = 3061.7 Located At Horizontal Angle = 0, Vertical Angle = 0
 50% Maximum Candela = 1530.85
 10% Maximum Candela = 306.17

Photometry

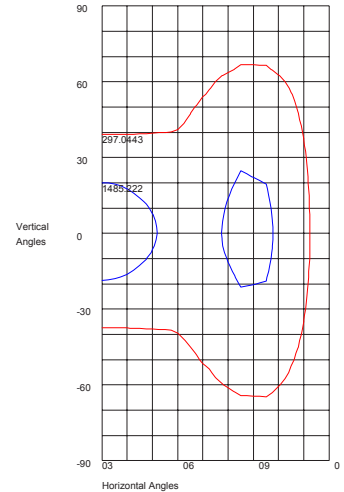
ASM / 56W LED / 4000K CCT

Catalog #: OLGL-ASM-L58-40-120
 Delivered Lumens: 3634
 Input Watts: 56W
 CRI: >83.5
 Maximum candela of 2970.443
 Maximum candela angle 0H-0V
 NEMA Classification: 7H x 5V
 Power Factor: 0.998
 Total Harmonic Distortion: 4.29%

[Link to photometry \(PDF\)](#)
[Link to photometry \(IES\)](#)



Maximum Candela = 2970.443 Located At Horizontal Angle = 0, Vertical Angle = 0
 H - Horizontal Axial Candela
 V - Vertical Axial Candela



Maximum Candela = 2970.443 Located At Horizontal Angle = 0, Vertical Angle = 0
 50% Maximum Candela = 1485.2215
 10% Maximum Candela = 297.0443

CCT Multiplier	
4000K	1.000
3000K	0.986

Conversion Chart	
Values based on 16' (4.9 m) mounting height	
Mounting Height	
10'	(3.0 m)
12'	(3.7 m)
14'	(4.3 m)
16'	(4.9 m)
18'	(5.5 m)

CCT multipliers apply to the photometry, and IES files.

Selux Corporation

Lighting facts
A Program of the U.S. DOE

Light Output (Lumens) 4936
Watts 56.19
Lumens per Watt (Efficacy) 87.8

Color Accuracy 82
Color Rendering Index (CRI)

Light Color 3023 (Bright White)
Correlated Color Temperature (CCT)

2700K 3000K 4500K 6500K

LED Lumen Maintenance Projection 86.52%
at 50,000 Hours at 40°C Ambient*

Warranty** Yes

All results, except LED Lumen Maintenance, are according to IESNA LM-79-2008: Approved Method for the Electrical and Photometric Testing of Solid-State Lighting. The U.S. Department of Energy (DOE) verifies product test data and results.

* Based on TM-21 projections for the light source.
 ** See www.lightingfacts.com/products for details.

Registration Number: WVZA-AKQ1PS (7/24/2015)
 Model Number: OLGL-F40-L58-30-120
 Type: Luminaire - Directional