

Date: _____ Customer: _____

Project: _____

Type: _____ Qty: _____



Olvio Grande RGBW Universal Mount



Fixture Order Code: OLGL - _____ - _____ - _____ - _____ - _____

Pole Order Code: _____ - _____ - _____ - _____
Series Height Finish Options

<u>OLGL</u>	Series	OLGL Olvio Grande RGBW				
	Optics	N13 Narrow 13° Beam	M50 Medium 50° Beam	W80 Wide 80° Beam		
	Mounting	U Universal (surface mount)	T1 Single Pole Top			
	Light Engine	L50 50W max				
	CCT	RGBW Red, Green, Blue, White			*Refer to page 8 for photometric information	
	Finish	WH White	BK Black	BL Semi-Matte Black	BZ Bronze	SV Silver
		SP Specify Premium Color				
	Voltage	UNV 120V-277V				

Product Modifications

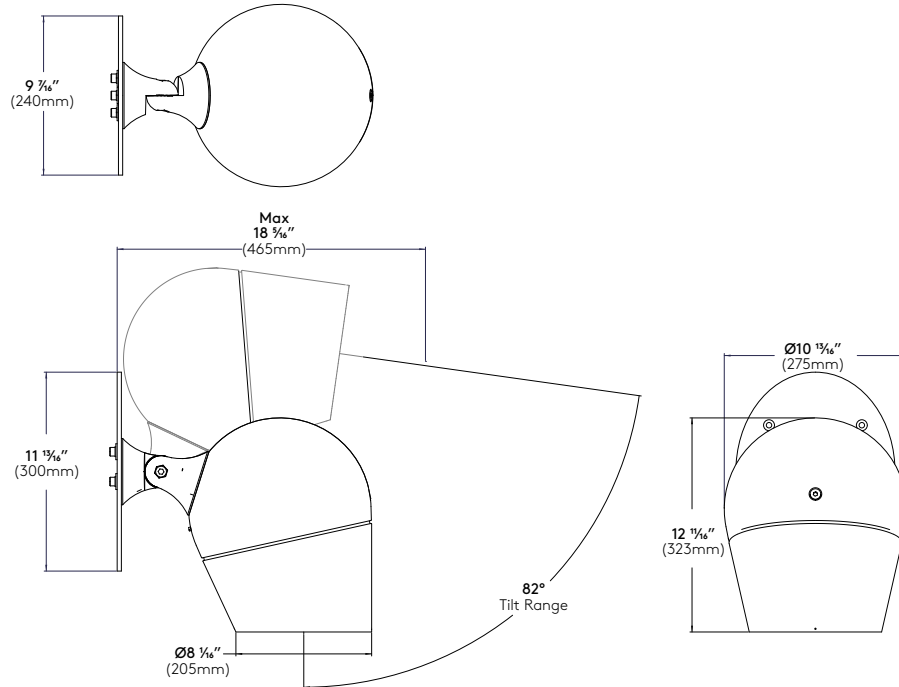
Please list modification requirements for review by factory:

Approvals

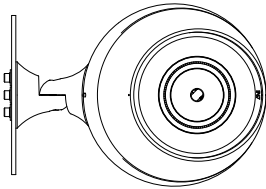


Date: _____

OLGL-XX-U



Luminaire can be mounted upside down



Specifications

Luminaire Housing - Two-piece high-pressure die-cast housing, made of low-copper aluminum alloy. Single recessed captive screw allows easy access to light engine & gear tray components.

Gasketing - UV and ozone-resistant, silicone gasket between fixture housing and lens base provide IP67 level ingress protection. IP rated micro-membrane ensures pressure compensation.

Lens - Tempered clear glass lens with diffusion.

LED Light Engine - Mid-power Red, Green, Blue, and White (5734K) LEDs mounted to aluminum core PCB. DMX LED driver with 50 watt max output. Precision reflectors provide Narrow Beam (N13 / 13°), Medium Beam (M50 / 50°), or Wide Beam (W80 / 80°) distributions.

LED Driver - LEDs are driven by RoHS compliant high-efficiency DMX driver. Excellent for cold temperature starting and instant on. Suitable for ambient temperatures from -20C to +40C. Do not exceed 50W max power limit.

Surge Protector - Designed to protect luminaire from electrical surge up to 20kA.

Power Cord - Pre-installed at factory and hidden through the luminaire hinge and hinge arm. Power cords are specified to fit the length of the pole specified with the luminaire. Power and DMX cables segregated with electrical box at lower hand hole.

Exterior Luminaire Finish - Selux utilizes a high quality Polyester Powder Coating. All Selux luminaires and poles are finished in our Tiger Drylac certified facility and undergo a five stage intensive pretreatment process where product is thoroughly cleaned, phosphated and sealed. Selux powder coated products provide excellent salt and humidity resistance as well as ultraviolet resistance for color retention. All products are tested in accordance with test specifications for coatings from ASTM and PCI. Standard exterior colors are White (WH), Black (BK), Semi-Matte Black (BL), Bronze (BZ), and Silver (SV). Selux premium colors (SP) are available, please specify from your Selux color selection guide.

5 Year Limited LED Luminaire Warranty - Selux offers a 5 Year Limited Warranty to the original purchaser that the Olivio LED luminaire shall be free from defects in material and workmanship for up to five (5) years from date of shipment. This limited warranty covers the LED driver and LED Light engine when installed and operated according to Selux instructions. For details, see "Selux Terms and Condition of Sale."

Listings and Ratings: Luminaire and LED tested to IP67 and IESNA LM-79-08 standards. LED tested to LM-80 standards.

NRTL Listed for wet location (i.e. UL, CSA)

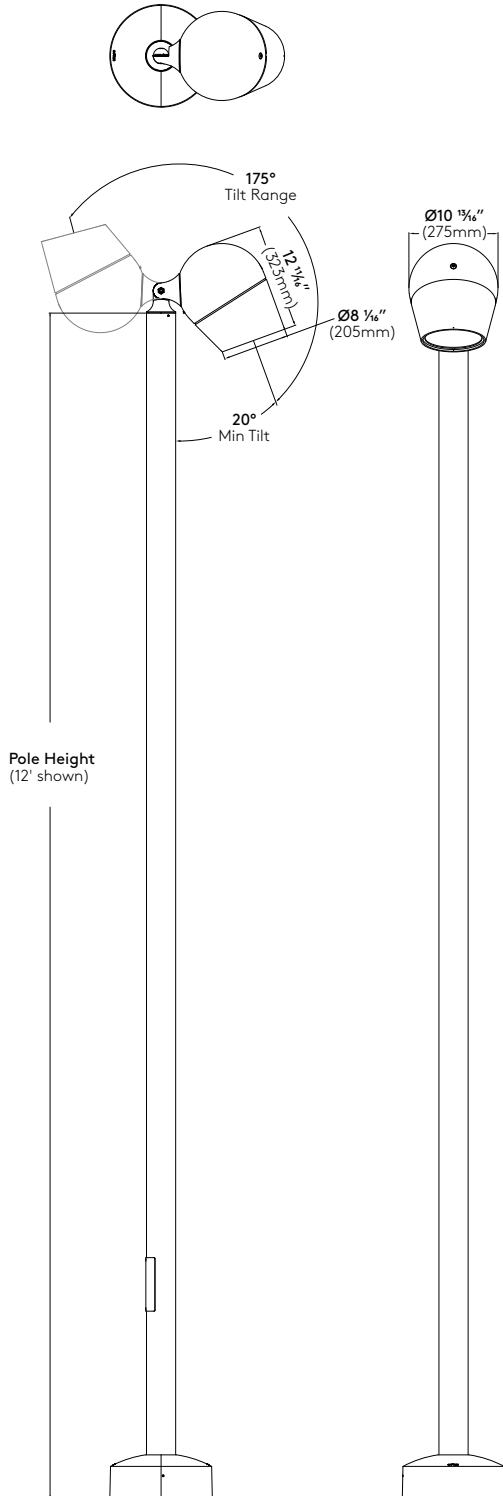
Visit selux.us for our LED End of Life recycling policy.

For Buy American compliance on poles, please consult the factory.

Mounting

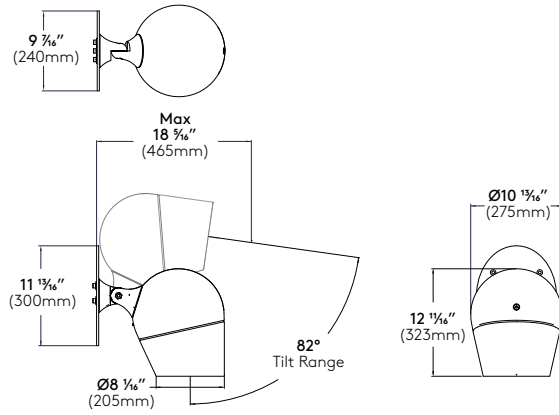
Single Pole Top (T1)

EPA = 0.7 ft² (0.065 m²)
 Weight = 22 lbs. (10 kg)

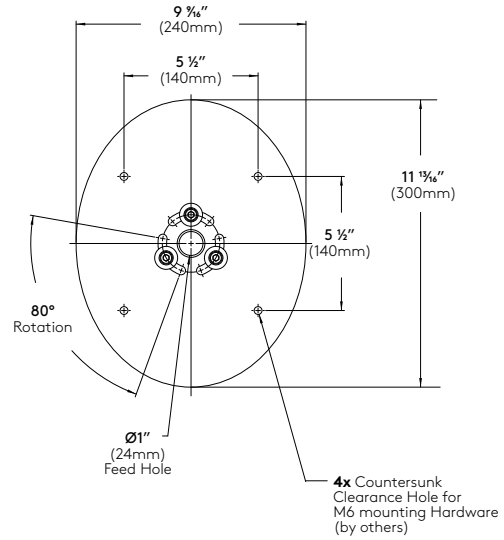
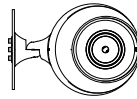


Universal Surface Mounting (U)

EPA = 0.7 ft² (0.065 m²)
 Weight = 22 lbs. (10 kg)



Luminaire can be mounted upside down, and dimensions remain the same.

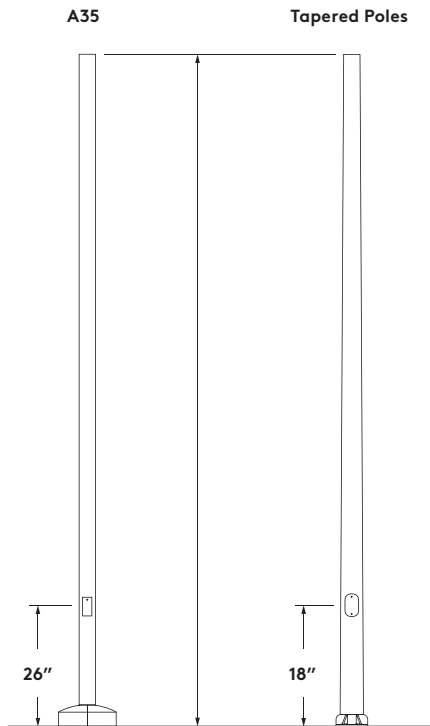


Pole Data Chart

Pole Series	Bolt Circle	Wall	Max Luminaire Weight (lbs.)	EPA Information										Height	Finish	Options
				Basic Wind Speed (mph)												
				85	90	100	110	120	130	140	150	160	170			
O-A35-197 3 1/2" Round Straight Aluminum Pole	7 3/4" (197mm)	0.197"	100	5.6	4.8	3.5	2.6	1.8	1.3	0.9	0.7	0.6	0.4	0.3	12 12ft	WH White BK Black BL Semi-Matte Black BZ Bronze SV Silver SP Specify Premium Color BC3 Die Cast Two-Piece Aluminum decorative Base Cover REC1 GFCI Receptacle with weatherproof cover REC2' GFCI Receptacle with padlockable in-use cover REC3' USB & Duplex Receptacle with weatherproof cover REC4' USB & Duplex Receptacle with weatherproof padlockable in-use cover 'See page 6 for details
O-AT535-156 5" to 3 1/2" Round Tapered Aluminum Pole	8 5/8" (219mm)	0.156"	75	15.2	13.4	10.5	8.4	6.9	5.8	4.9	4.2	3.6	3.2	2.8		
O-A35-197 3 1/2" Round Straight Aluminum Pole	7 3/4" (197mm)	0.197"	100	4.2	3.5	2.4	1.6	1.0	0.5	0.2	0.1	-	-	-	14 14ft	
O-AT535-156 5" to 3 1/2" Round Tapered Aluminum Pole	8 5/8" (219mm)	0.156"	75	12.8	11.2	8.7	6.9	5.5	4.6	3.8	3.3	2.8	2.4	2.1		
O-AT535-156 5" to 3 1/2" Round Tapered Aluminum Pole	8 5/8" (219mm)	0.156"	75	10.5	9.1	6.9	5.4	4.3	3.4	2.9	2.4	2.0	1.7	1.5	16 16ft	
O-AT535-188 5" to 3 1/2" Round Tapered Aluminum Pole	8 5/8" (219mm)	0.188"	100	10.7	9.2	7.0	5.4	4.2	3.4	2.8	2.3	2.0	1.7	1.4	18 18ft	
O-AT535-188 5" to 3 1/2" Round Tapered Aluminum Pole	8 5/8" (219mm)	0.188"	100	8.9	7.6	5.6	4.2	3.2	2.5	2.0	1.6	1.4	1.1	0.9	20 20ft	
O-AT635-188 6" to 3 1/2" Round Tapered Aluminum Pole	9 1/2" (241mm)	0.188"	100	9.7	8.3	6.1	4.5	3.4	2.6	2.1	1.7	1.4	1.1	0.9	25 25ft	

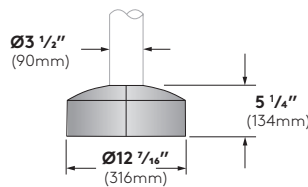
1) Maximum EPA ratings certified in accordance with AASHTO 2013 (LTS-6) for 3-s gust wind speeds based on Allowable Stress Design (ASD) analysis
 2) Consult factory for equivalent Load and Resistance Factor Design (LRFD) wind speeds
 3) Rated performance is dependant upon the pole being properly attached to a supporting foundation of adequate design

Pole Information

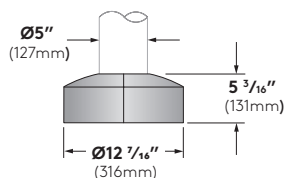


Base Cover Information

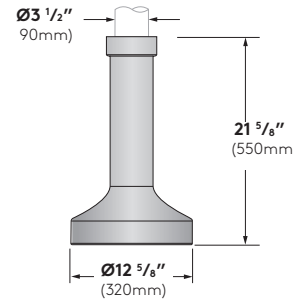
Straight Poles (O-A35) BC5 Standard Base Cover
Two-piece die cast aluminum



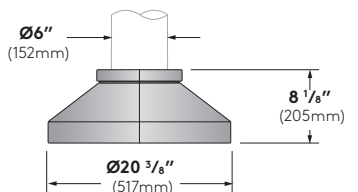
BC3 - Available for:
O-AT535-156
O-AT535-188



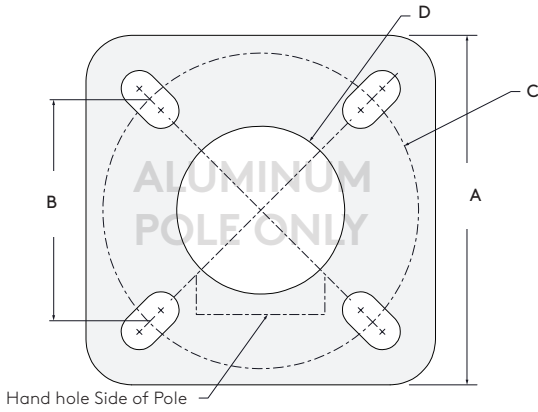
BC1 Optional Base Cover Available for: O-A35-197
One-piece die cast aluminum



BC9 - Available for:
O-AT635-188

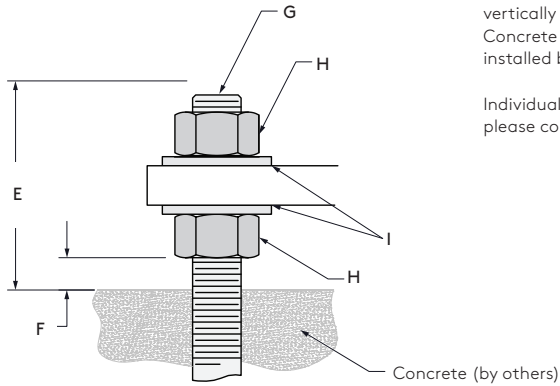


Mounting Plate Detail



Mounting Plate Details	A Base Plate SQ	B Bolt Spacing SQ	C Base Circle Ø	D Conduit Opening Ø
O-A35-197 3.5" Round Straight Alum Pole	8" (203mm)	5 1/2" (139mm)	7 3/4" (197mm)	3" (76mm)
O-AT535-156 5" to 3.5" Round Tapered Alum Pole	9 5/8" (244mm)	6 1/8" (155mm)	8 5/8" (219mm)	4 5/8" (117mm)
O-AT535-188 5" to 3.5" Round Tapered Alum Pole	9 5/8" (244mm)	6 1/8" (155mm)	8 5/8" (219mm)	4 5/8" (117mm)
O-AT635-188 6" to 3.5" Round Tapered Alum Pole	10 5/16" (262mm)	6 1/16" (171mm)	9 1/2" (241mm)	5 1/2" (140mm)

Anchor Bolt Detail



Use caution when setting anchor bolts. Bolts must be vertically straight and centered on dimension shown. Concrete footing and feed conduit to be designed and installed by others.

Individual 1:1 scale drawings for installation available, please consult factory.

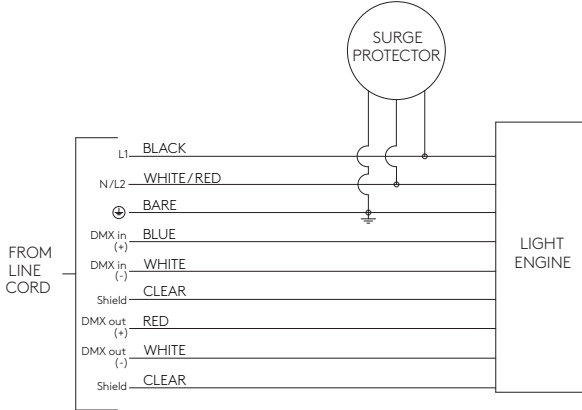
All Hardware is Galvanized

Anchor Bolt Details	E Bolt Projection	F For Leveling	G Anchor Bolt	H Heavy Hex Nut	I Flat Washer
O-A35-197 3.5" Round Straight Alum Pole	3 1/4" (83mm)	1/2" (13mm)	3/4"-10 UNC x 17"	3/4"-10 UNC	3/4" ID
O-AT535-156 5" to 3.5" Round Tapered Alum Pole	3 1/4" (83mm)	1/2" (13mm)	3/4"-10 UNC x 17"	3/4"-10 UNC	3/4" ID
O-AT535-188 5" to 3.5" Round Tapered Alum Pole	3 1/4" (83mm)	1/2" (13mm)	3/4"-10 UNC x 17"	3/4"-10 UNC	3/4" ID
O-AT635-188 6" to 3.5" Round Tapered Alum Pole	3 1/2" (89mm)	1/2" (13mm)	3/4"-10 UNC x 17"	3/4"-10 UNC	3/4" ID

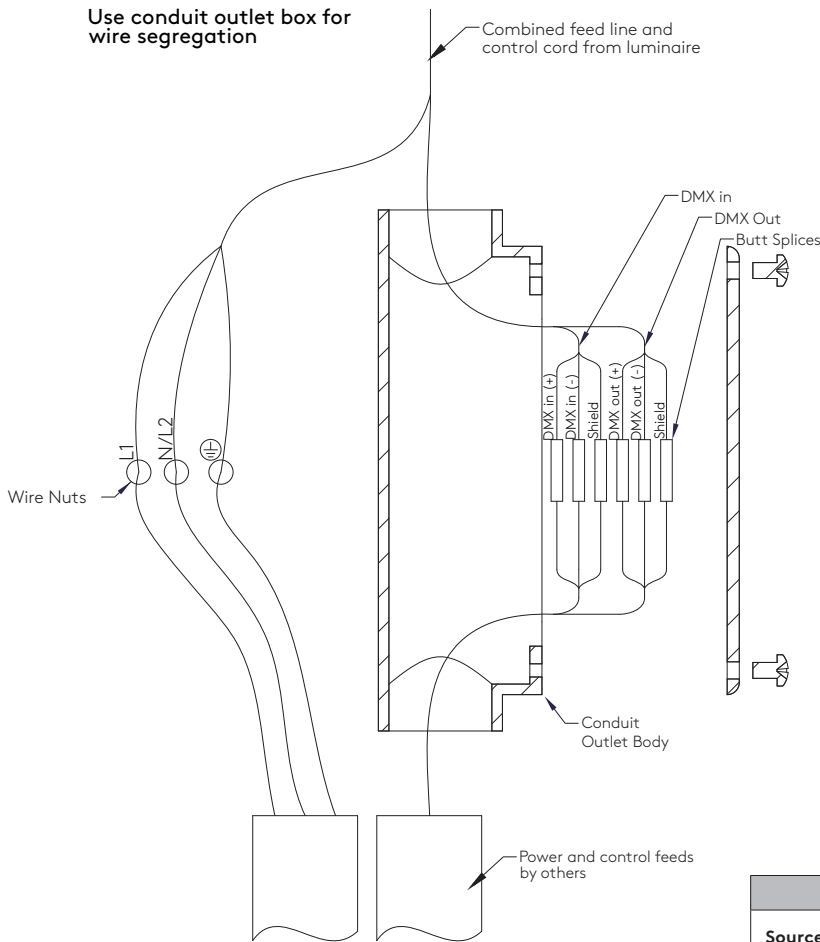
Wiring

Standard Wiring (120V-277V)

(120Ω resistor is included for termination of each run)
Luminaire equipped with combined feed cord with two twisted and shielded pairs of DMX control wire

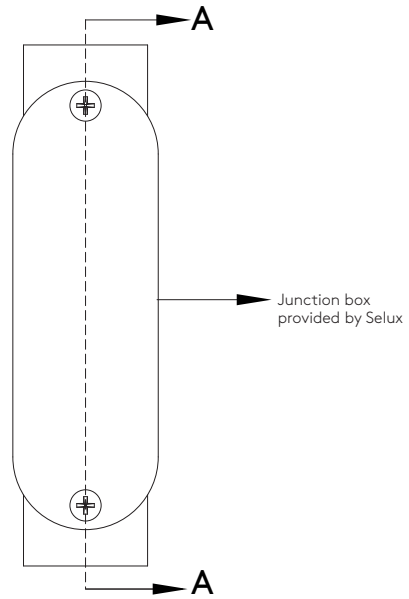
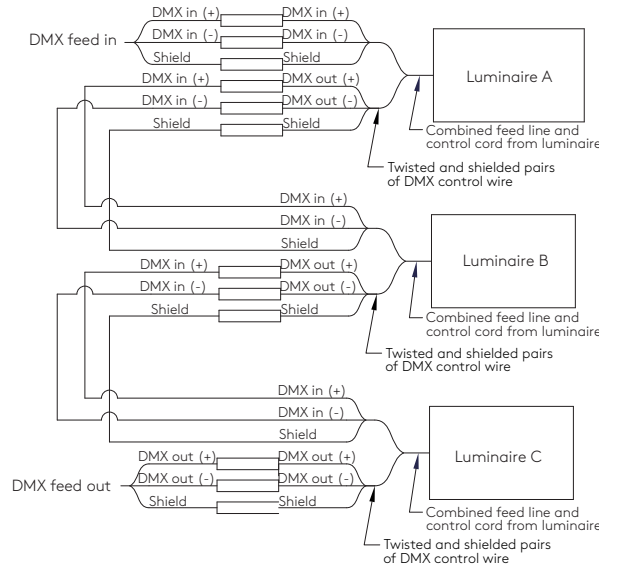


Use conduit outlet box for wire segregation



DMX Daisy-Chain Wiring

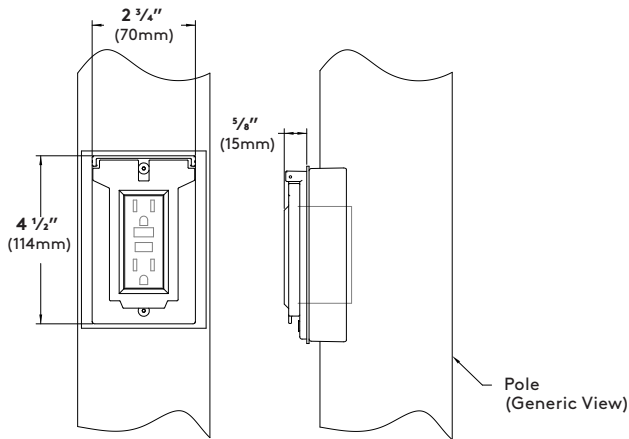
(All DMX connections to be made inside the supplied Conduit Outlet Body)



Wire Designation Table		
Source Voltage (VAC)	Wire Color	Wire Designation
UNV (120V-277V)	Black	L1
	White	Neutral (120/277V) or L2 (208/240V)

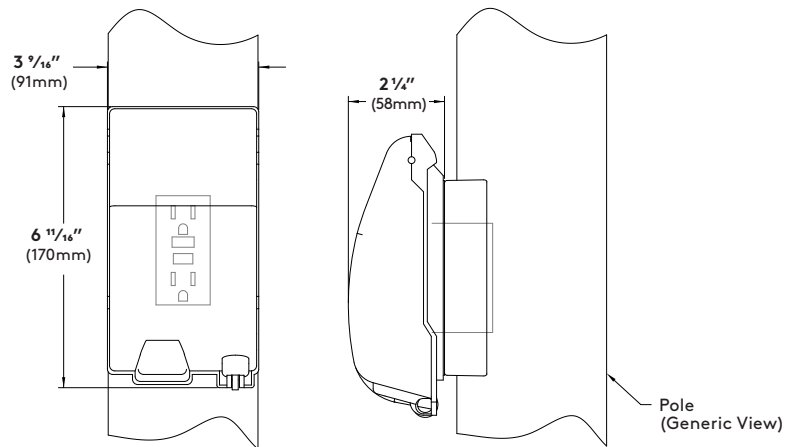
Options

REC and REC3



Cover shown in the closed position

REC2 and REC4



Cover shown in the closed position

GFCI Receptacle (REC) - 120V 15A GFCI duplex receptacle with weatherproof, self-closing cover; located 36" (915mm) o.c. from base of pole, in-line with hand hole. Receptacle is intended only for portable tools or other portable equipment to be connected to outlet only when attended by operating personnel (120V only).

USB & Duplex Receptacle (REC3) (not shown) - 120V 20A duplex receptacle with USB combination ports. (1) type A and (1) type C high power 5A, 5V USB outlets. With weatherproof, self-closing cover; located 36" (915mm) o.c. from base of pole, in-line with hand hole. Receptacle is intended only for portable tools or other portable equipment to be connected to outlet only when attended by operating personnel.

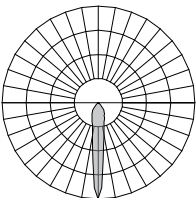
REC3 does not incorporate GFCI (Ground Fault Circuit Interrupter) protection, and shall be powered by a GFCI protected branch circuit (by others).

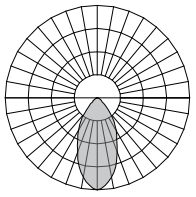
GFCI Receptacle (REC2) - 120V 15A GFCI duplex receptacle with weatherproof, self-closing, padlockable in-use cover; located 36" (915mm) o.c. from base of pole, in-line with hand hole. Receptacle is intended only for portable tools or other portable equipment to be connected to outlet only when attended by operating personnel (120V only).

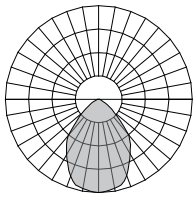
USB & Duplex Receptacle (REC4) (not shown) - 120V 20A duplex receptacle with USB combination ports. (1) type A and (1) type C high power 5A, 5V USB outlets. With weatherproof, self-closing padlockable in-use cover; located 36" (915mm) o.c. from base of pole, in-line with hand hole. Receptacle is intended only for portable tools or other portable equipment to be connected to outlet only when attended by operating personnel.

REC4 does not incorporate GFCI (Ground Fault Circuit Interrupter) protection, and shall be powered by a GFCI protected branch circuit (by others).

Photometry

	Olivio Grande RGBW - Narrow Beam (13°)				
	Light Engine	Lumen Output	CCT	Input Watts	lm/W
	L50	2933	White (5734K)	44	67
	L50	1692	Red	45	38
	L50	2219	Green	43	52
	L50	532	Blue	45	12

	Olivio Grande RGBW - Medium Beam (50°)				
	Light Engine	Lumen Output	CCT	Input Watts	lm/W
	L50	2933	White (5734K)	44	67
	L50	1692	Red	45	38
	L50	2219	Green	43	52
	L50	532	Blue	45	12

	Olivio Grande RGBW - Wide Beam (80°)				
	Light Engine	Lumen Output	CCT	Input Watts	lm/W
	L50	2933	White (5734K)	44	67
	L50	1692	Red	45	38
	L50	2219	Green	43	52
	L50	532	Blue	45	12

TM-21 Lifetime Calculation					
Light Engine ²	Ambient Temp (°C)	Lumen Maintenance (% at hours)			Reported L ₇₀ ¹
		25K	50K	70K	
Red ³	25°C	92.9%	82.6%	75.2%	L ₇₀ (15k) = 85,000 hours
	40°C	90.7%	83.5%	See note 4	L ₇₀ (11k) > 63,500 hours
Green ³	25°C	86.2%	78.2%	72.3%	L ₇₀ (15k) = 78,000 hours
	40°C	82.9%	74.0%	See note 4	L ₇₀ (11k) > 61,000 hours
Blue ³	25°C	85.9%	See note 4	See note 4	L ₇₀ (8k) > 42,000 hours
	40°C	86.2%	See note 4	See note 4	L ₇₀ (8k) > 42,000 hours
White	25°C	91.8%	86.5%	82.4%	L ₇₀ (10k) > 60,000 hours
	40°C	87.6%	See note 4	See note 4	L ₇₀ (6k) > 36,000 hours

¹ Calculated in accordance with IESNA TM-21-11, projected values are within 5.5x or 6x the IESNA LM-80-08 test duration

² Thermal measurements based on Order Code: OLGL-M50-U-L45-RGBW-BL-UNV

³ Data based on Cree test report (not an official LM-80-08 test)

⁴ Hours project beyond timeframe allowed by IESNA TM-21-11 based on test duration and number units tested

Finish Options

All colors are polyester powder coat paint. Custom color or RAL color available by request that meet AAMA 2604 standard.

