

Date: _____ Customer: _____
 Project: _____
 Type: _____ Qty: _____



Olivio Grande LED Candelabra Pole Top



Order Code: OLGL - _____ - _____ - _____ - _____ - _____ - _____

Pole Order Code: AT524 - _____ - _____ - _____
 Series Height Finish Options

<u>OLGL</u>	Series	<u>OLGL</u> Olivio Grande LED					
	Optics	<u>S09</u> Spot, 9°	<u>F40</u> Flood, 44°	<u>F80</u> Flood, 78°	<u>ASM</u> Asymmetric (no SLH or SLV option)		
	Mounting	<u>C1</u> Single Candelabra Pole top	<u>C2</u> Double @ 120° Candelabra Pole top	<u>C2A</u> Double @ 180° Candelabra Pole top	<u>C3</u> Triple @ 120° Candelabra Pole top		
	Light Engine	<u>L58</u> 58W nominal	<u>L28</u> 28W nominal				
	CCT	<u>30*</u> 3000K	<u>40</u> 4000K	<u>RGBW*</u> (consult factory)		* IDA approved	
	Finish	<u>WH</u> White	<u>BK</u> Black	<u>BL</u> Semi-Matte Black	<u>BZ</u> Bronze	<u>SV</u> Silver	<u>SP</u> Specify Premium Color
	Voltage	<u>120</u>	<u>208</u>	<u>240</u>	<u>277</u>	<u>347</u>	
	Options	<u>DS</u> ¹ Dark Sky 0° Tilt Option	<u>DM</u> ² Dimming, 0-10V	<u>HL</u> ^{2,3} Hi-Lo switching	<u>SLH</u> Spread Lens Horizontal (fixed)	<u>SLV</u> Spread Lens Vertical (fixed)	<u>20kA</u> 20kA Surge Supression
		<u>HX</u> Micro honey comb louver (consult fac- tory)	<u>CF</u> Color Filter (consult factory)			³ Only available with 120V, 240V, or 277V	

Product Modifications

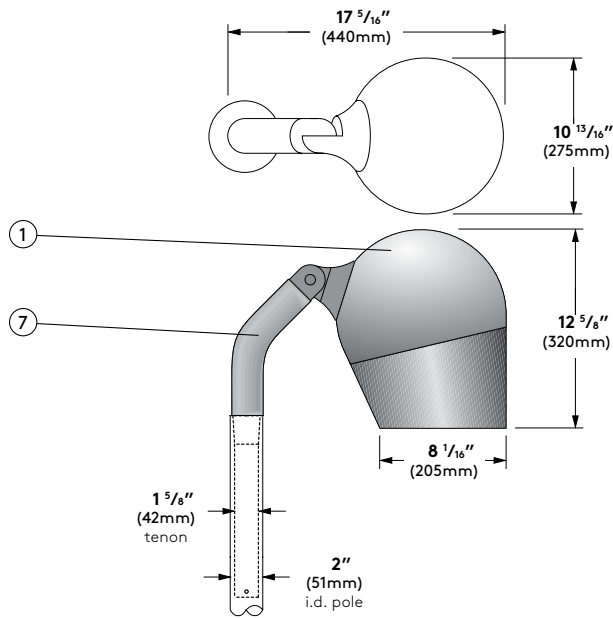
Please list modification requirements for review by factory:

Approvals



Date: _____

OLGL-C1



Specifications

1. Luminaire Housing - Two piece high pressure die cast housing, made of low copper aluminum alloy. Single recessed captive screw allows easy access to light engine & gear tray components.

2. Gasketing - (not shown) UV and ozone-resistant, silicone gasket between fixture housing and lens base provide IP65 level ingress protection. IP rated micro-membrane ensures pressure compensation.

3. Lens - (not shown) Tempered clear glass lens.

4. LED Light Engine - (not shown) made from high flux COB and vacuum metalized aluminum reflectors. Selux is using brand name LED manufacturers. Available in 3000K and 4000K, CRI minimum 80. Reflectors made from high purity aluminum to ensure high efficiencies throughout lifetime. Complete light engine can be removed easily for future upgrade. LED light engine provides a reported lumen maintenance of 84.3% at 60,000 hours. L70 calculated greater than 60,000 hours.

5. LED Driver - (not shown) Selux uses brand name high efficiency LED drivers. LEDs are driven by RoHS compliant high-efficiency driver. Excellent for cold temperature starting and instant on. Min. operating temperature -40°C/ -40°F.

6. Surge Protector - (not shown) Designed to protect luminaire from electrical surge up to 10kA. Surge protection up to 20kA optional.

7. Arm - 45 degree arm made from low copper aluminum alloy. Fixture head joint design optimized to fit with AT524 pole provides tilt-swivel range from 0° to 175°, as well as 360° rotation. Locks down with set screws. Cast aluminum mounting arms include tenon that is inserted into a 2" I.D. pole & locked into place with set screws.

8. Power Cord - (not shown) Pre-installed at factory and fed hidden through the luminaire hinge and hinge arm. Power cords are specified to fit the length of the pole specified with the luminaire.

Exterior Luminaire Finish -

Selux utilizes a high quality Polyester Powder Coating. All Selux luminaires and poles are finished in our Tiger Drylac certified facility and undergo a five stage intensive pretreatment process where product is thoroughly cleaned, phosphated and sealed. Selux powder coated products provide excellent salt and humidity resistance as well as ultraviolet resistance for color retention. All products are tested in accordance with test specifications for coatings from ASTM and PCI. Standard exterior colors are

White (WH), Black (BK), Semi-Matte Black (BL), Bronze (BZ), and Silver (SV). Selux premium colors (SP) are available, please specify from your Selux color selection guide.

5 Year Limited LED Luminaire Warranty -

Selux offers a 5 Year Limited Warranty to the original purchaser that the OLIVIO LED luminaire shall be free from defects in material and workmanship for up to five (5) years from date of shipment. This limited warranty covers the LED driver and LED Light engine when installed and operated according to Selux instructions. For details, see "Selux Terms and Condition of Sale."

Listings and Ratings: Luminaire and LED tested to IP67 and IESNA LM-79-08 standards. LED tested to LM-80 standards. Luminaire and LED tested at 25°C ambient temperature.

OLIVIO LED suitable for ambient temperatures of 40°C (104°F). Minimum operating temperature of luminaire at -40°C (-40°F).

NRTL Listed for wet location (i.e. UL, CSA)

Visit selux.us for our LED End of Life recycling policy.

Lumen Output for OLGL (58 watts)

Olivio Grande LED	S09	F40	F80	ASM
3000K CRI>80	4380 lm CBCP 66199cd	4430 lm CBCP 7600cd	4229 lm CBCP 2976cd	3489 lm CBCP 2852cd
4000K CRI>80	4506 lm CBCP 68103cd	4827 lm CBCP 7558cd	4350 lm CBCP 3058cd	3634 lm CBCP 2970cd

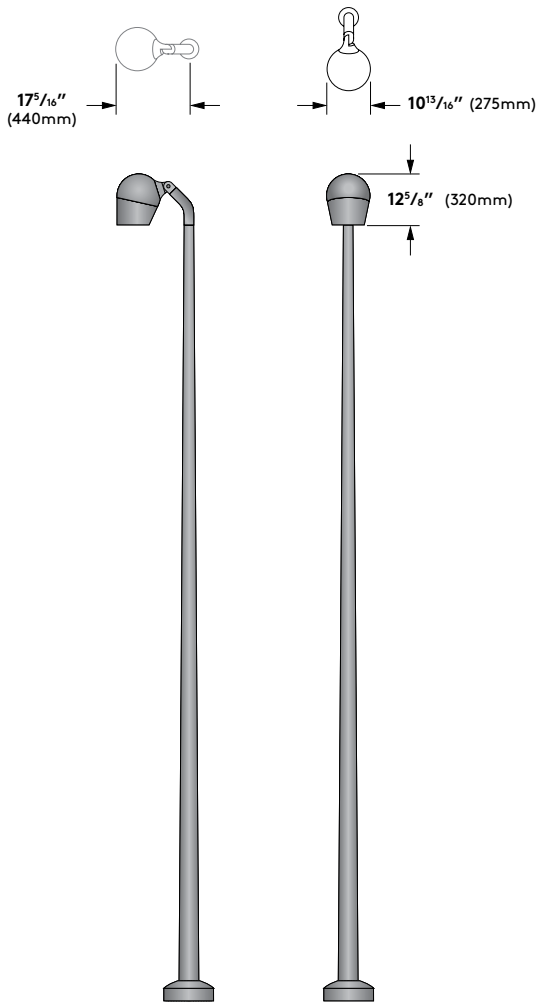
Lumen Output for OLGL (28 watts)

Olivio Grande LED	S09	F40	F80	ASM
3000K CRI>80	2190 lm CBCP 33099.5cd	2215 lm CBCP 3800cd	2114.5 lm CBCP 1488cd	1744.5 lm CBCP 1426cd
4000K CRI>80	2253 lm CBCP 34051.5cd	2413.5 lm CBCP 3779cd	2174 lm CBCP 1531cd	1817 lm CBCP 1485cd

Mounting

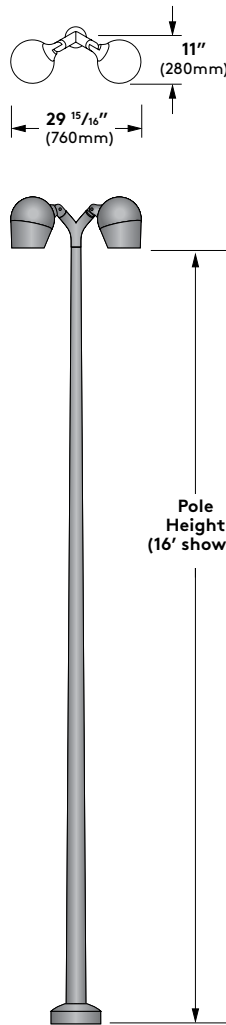
Mounting Details

Single (C1)



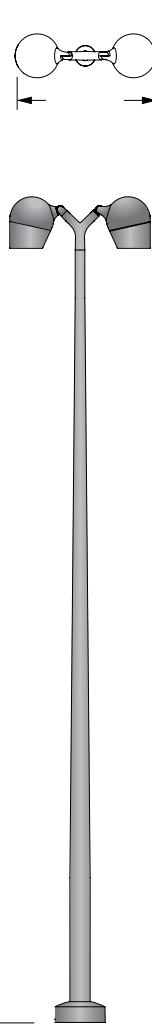
EPA = 1.0 ft² (0.093 m²)
Weight = 30 lbs. (13.6 kg)

Double @ 120° (C2)



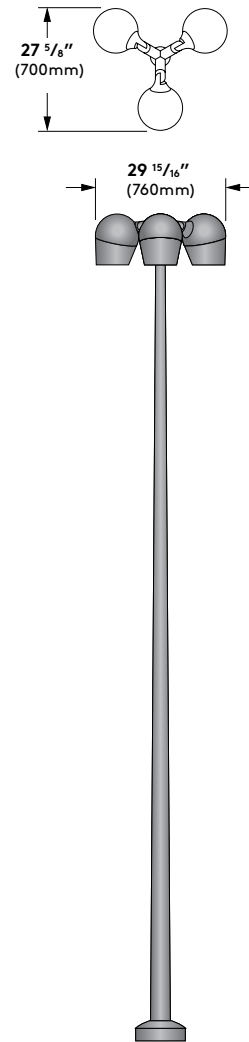
EPA = 2.0 ft² (0.186 m²)
Weight = 60 lbs. (27 kg)

Double @ 180° (C2A)



EPA = 2.0 ft² (0.186 m²)
Weight = 60 lbs. (27 kg)

Triple @ 120° (C3)

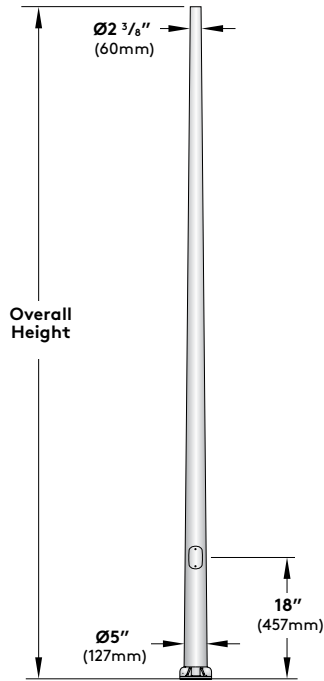


EPA = 3.0 ft² (0.279 m²)
Weight = 90 lbs. (40.8 kg)

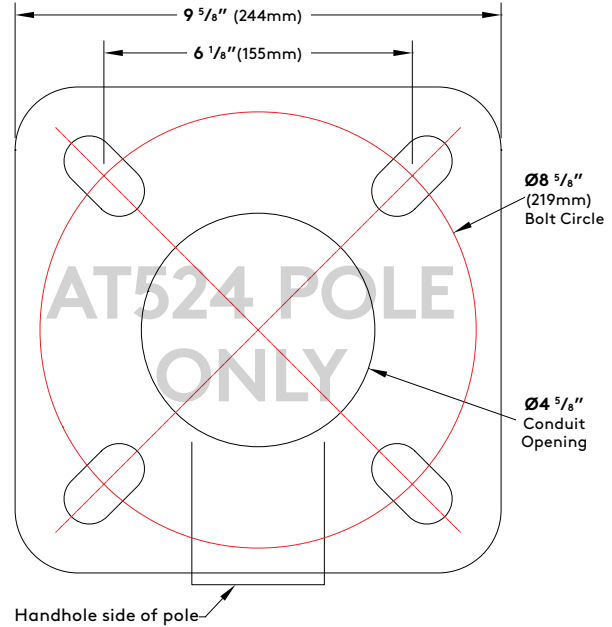
Pole Information

Refer to pole specification sheets for construction details, anchorage information and additional options.

AT524 Tapered Aluminum Pole

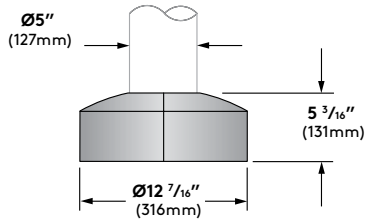


Bolt Circle

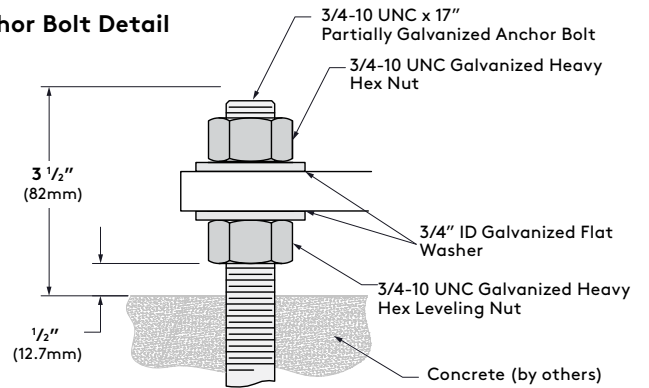


BC3 Optional Base Cover

Die cast aluminum, two piece field installable base cover



Anchor Bolt Detail



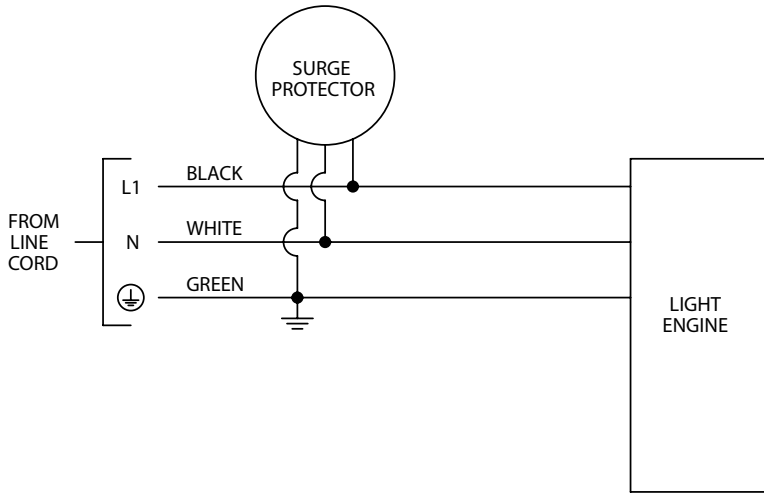
Pole Data Chart

Pole Series	Bolt Circle	Wall	EPA Information (ft ²)				Height	Finish	Options
			80mph	90mph	100mph	110mph			
AT524 5" to 2.4" Tapered Aluminum Pole	9	0.188	15.3	11.7	9.2	7.4	13 13ft	WH White	BC3 Die Cast Two-Piece Base Cover
AT524 5" to 2.4" Tapered Aluminum Pole	7 3/4"	0.188	13.8	10.6	8.3	6.6	14 14ft	BK Black	
AT524 5" to 2.4" Tapered Aluminum Pole	7 3/4"	0.188	12.5	9.5	7.4	5.9	15 15ft	BZ Bronze	REC GFCI Receptacle with weather-proof cover
AT524 5" to 2.4" Tapered Aluminum Pole	8 1/2"	0.188	11.4	8.6	6.6	5.2	16 16ft	SV Silver	REC2 GFCI Receptacle with padlockable in-use cover
								SP Specify Premium Color	

Other pole configurations available, consult factory
EPA calculations allow for 1.3 Gust Factor
See Mounting Page for fixture w/arm EPA values

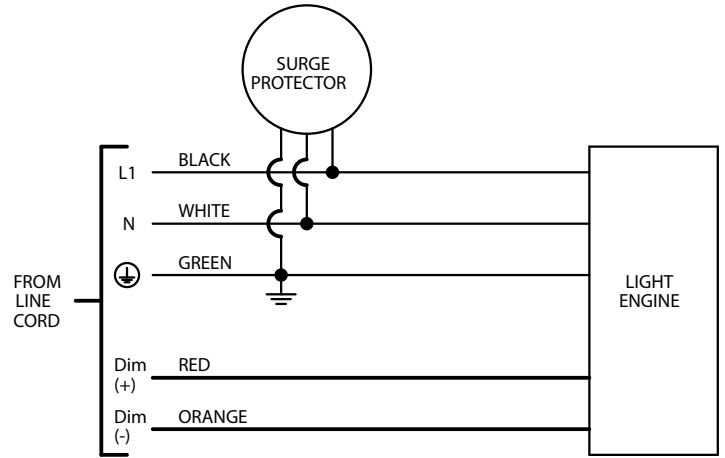
Wiring

Standard Single Wiring

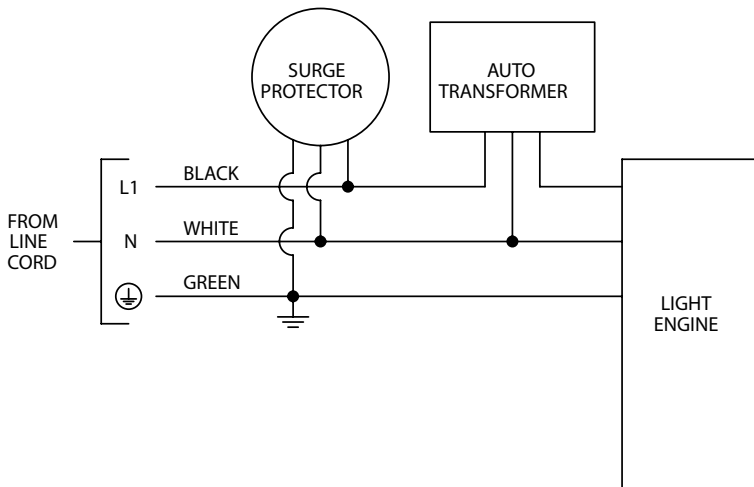


0-10V Dimming Option (DM) Wiring

L58, 120-277V. 347V available with step-down transformer.

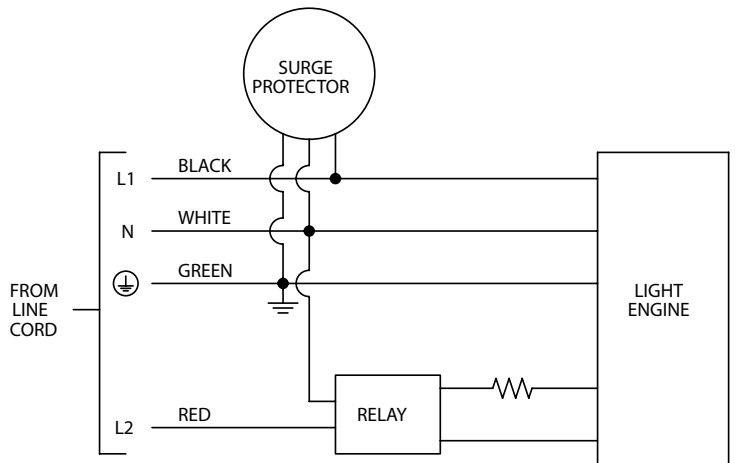


347V



Hi-Lo Switching Option (HL) Wiring

L58, 120V, 240V, 277V. When red is energized, light output will be at "Lo" level. Low output is 50%



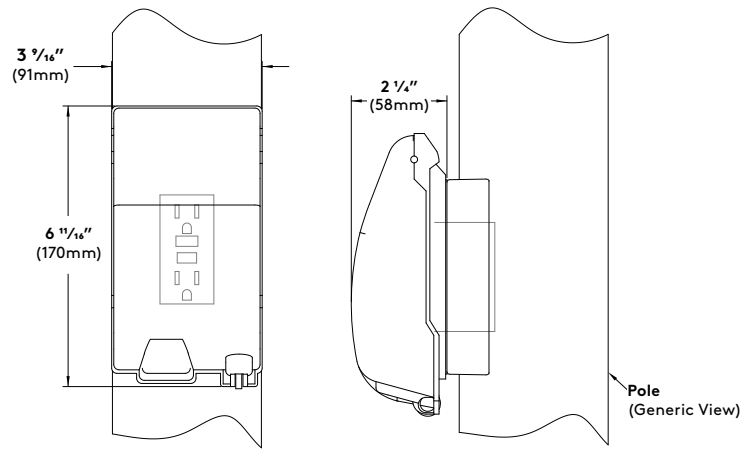
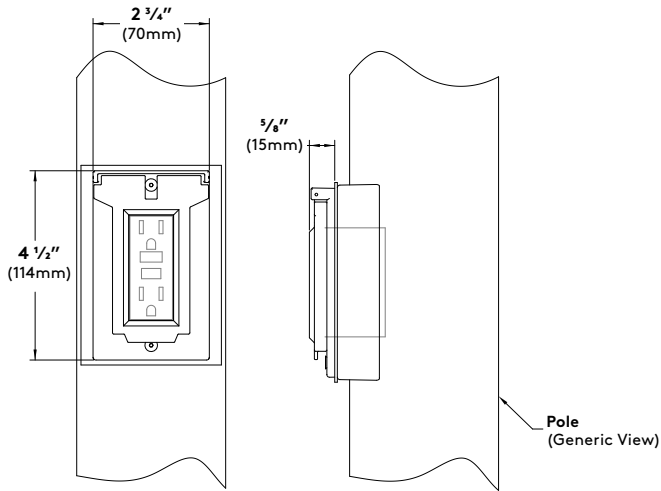
Options

20kA Surge Protection (20kA) - Designed to protect luminaire from electrical surge up to 20kA.

GFCI Receptacle (REC) - 120V 15A GFCI duplex receptacle with weather-proof, self-closing cover; located 36" (915mm) from base of pole, inline with handhole. Receptacle is intended only for portable tools or other portable equipment to be connected to outlet only when attended by operating personnel. For use with 120V applications only. For use with luminaires with other than 120V rating, please consult factory for wire segregation.

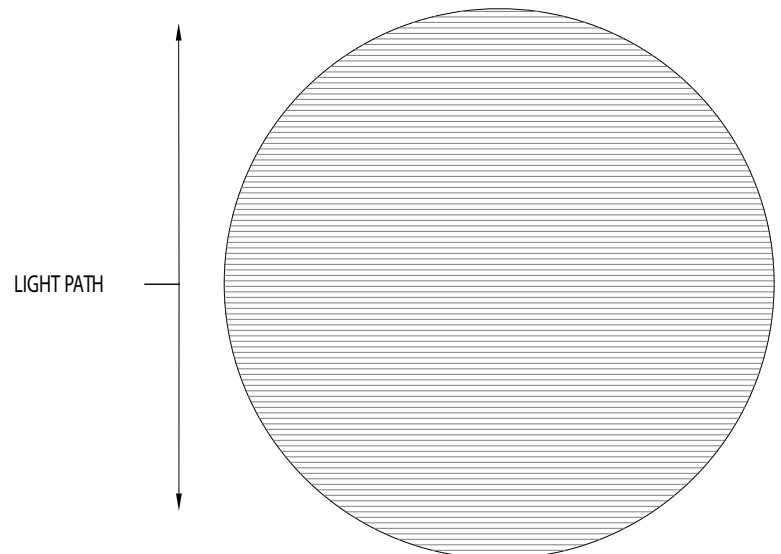
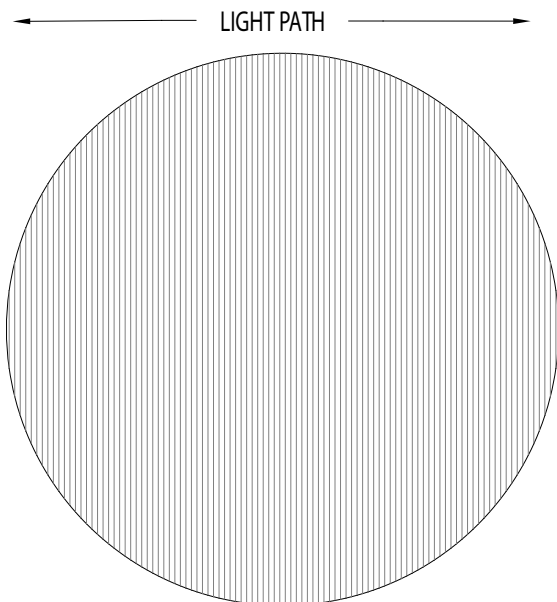
Dark Sky 0° Tilt Option (DS) - Luminaire head tilt angle preset and fixed at factory to comply with IDA Dark Sky and BUG U0 ratings.

GFCI Receptacle (REC2) - 120V 15A GFCI duplex receptacle with weather-proof, self-closing, padlockable in-use cover; located 36" (915mm) from base of pole, inline with handhole. Receptacle is intended only for portable tools or other portable equipment to be connected to outlet only when attended by operating personnel. For use with 120V applications only. For use with luminaires with other than 120V rating, please consult factory for wire segregation.



Horizontal spread lens (SLH) - Spread lens for horizontal light distribution. Replaces clear lens and intended to be used with reflectors for S09, F40 or F80 distribution. Preset and fixed at factory.

Vertical spread lens (SLV) - Spread lens for vertical light distribution. Replaces clear lens and intended to be used with reflectors for S09, F40 or F80 distribution. Preset and fixed at factory.

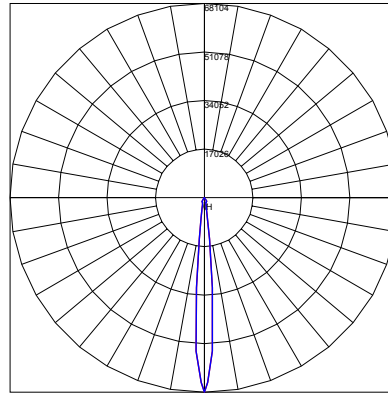


Photometry

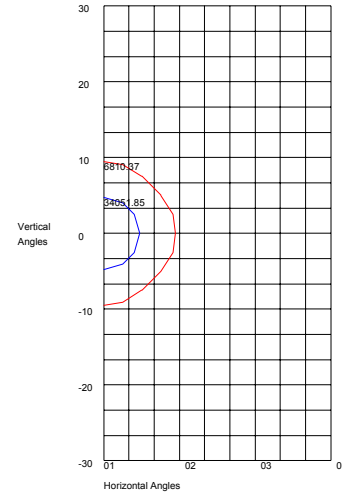
S09 / 56W LED / 4000K CCT

Catalog #: OLGL-S09-L58-40-120
 Delivered Lumens: 4506
 Input Watts: 56W
 CRI: >83.5
 Maximum candela of 68103.7
 Maximum candela angle: 0H-0V
 NEMA Classification: 1H x 1V
 Power Factor: 0.998
 Total Harmonic Distortion: 4.29%

[Link to photometry \(PDF\)](#)
[Link to photometry \(IES\)](#)



Maximum Candela = 68103.7 Located At Horizontal Angle = 0, Vertical Angle = 0
 H - Horizontal Axial Candela
 V - Vertical Axial Candela

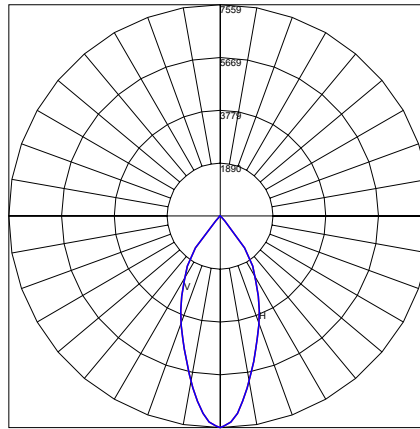


Maximum Candela = 68103.7 Located At Horizontal Angle = 0, Vertical Angle = 0
 50% Maximum Candela = 34051.85
 10% Maximum Candela = 6810.37

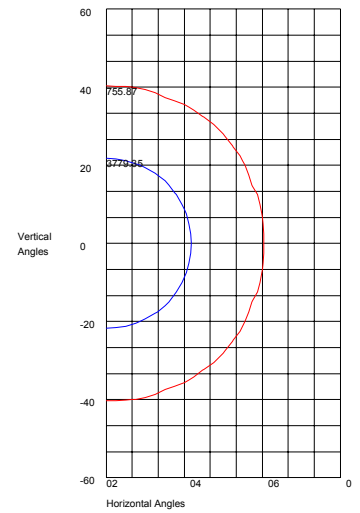
F40 / 56W LED / 4000K CCT

Catalog #: OLGL-F40-L58-40-120
 Delivered Lumens: 4585
 Input Watts: 56W
 CRI: >83.5
 Maximum candela of 7558.7
 Maximum candela angle: 0H-0V
 NEMA Classification: 5H x 5V
 Power Factor: 0.998
 Total Harmonic Distortion: 4.29%

[Link to photometry \(PDF\)](#)
[Link to photometry \(IES\)](#)



Maximum Candela = 7558.7 Located At Horizontal Angle = 0, Vertical Angle = 0
 H - Horizontal Axial Candela
 V - Vertical Axial Candela

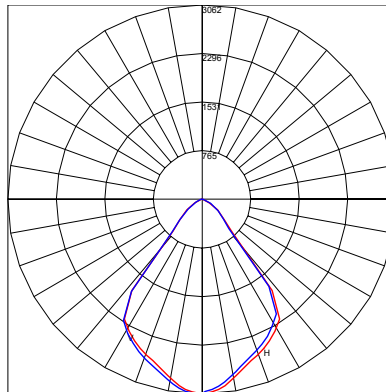


Maximum Candela = 7558.7 Located At Horizontal Angle = 0, Vertical Angle = 0
 50% Maximum Candela = 3779.35
 10% Maximum Candela = 755.87

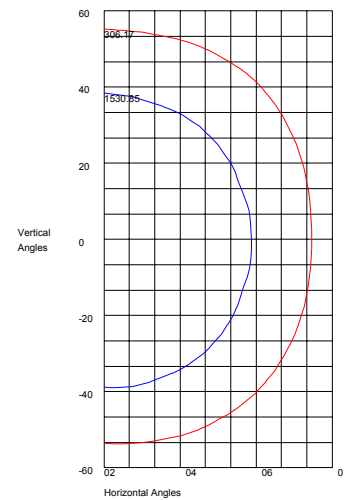
F80 / 56W LED / 4000K CCT

Catalog #: OLGL-F80-L58-40-120
 Delivered Lumens: 4350
 Input Watts: 56W
 CRI: >83.5
 Maximum candela of 3061.7
 Maximum candela angle: 0H-0V
 NEMA Classification: 6H x 6V
 Power Factor: 0.998
 Total Harmonic Distortion: 4.29%

[Link to photometry \(PDF\)](#)
[Link to photometry \(IES\)](#)



Maximum Candela = 3061.7 Located At Horizontal Angle = -1, Vertical Angle = -1
 H - Horizontal Axial Candela
 V - Vertical Axial Candela



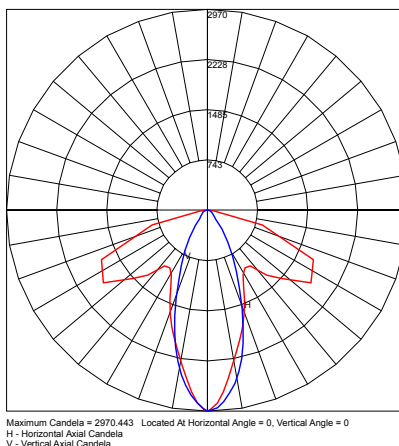
Maximum Candela = 3061.7 Located At Horizontal Angle = -1, Vertical Angle = -1
 50% Maximum Candela = 1530.85
 10% Maximum Candela = 306.17

Photometry

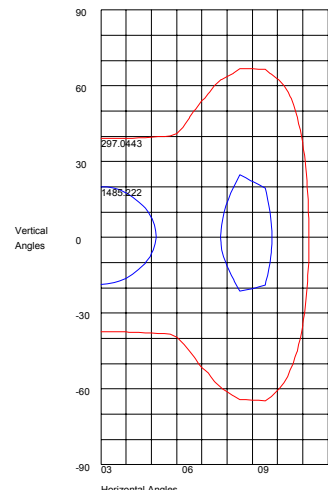
ASM / 56W LED / 4000K CCT

Catalog #: OLGL-ASM-L58-40-120
 Delivered Lumens: 3634
 Input Watts: 56W
 CRI: >83.5
 Maximum candela of 2970.443
 Maximum candela angle 0H-0V
 NEMA Classification: 7H x 5V
 Power Factor: 0.998
 Total Harmonic Distortion: 4.29%

[Link to photometry \(PDF\)](#)
[Link to photometry \(IES\)](#)



Maximum Candela = 2970.443 Located At Horizontal Angle = 0, Vertical Angle = 0
 H - Horizontal Axial Candela
 V - Vertical Axial Candela



Maximum Candela = 2970.443 Located At Horizontal Angle = 0, Vertical Angle = 0
 50% Maximum Candela = 1485.2215
 10% Maximum Candela = 297.0443

CCT Multiplier	
4000K	1.000
3000K	0.986

Conversion Chart	
Values based on 16' (4.9 m) mounting height	
Mounting Height	
10'	(3.0 m)
12'	(3.7 m)
14'	(4.3 m)
16'	(4.9 m)
18'	(5.5 m)

CCT multipliers apply to the photometry, and IES files.

Selux Corporation

Light Output (Lumens)	4936
Watts	56.19
Lumens per Watt (Efficacy)	87.8

Color Accuracy <small>Color Rendering Index (CRI)</small>	82
---	-----------

Light Color <small>Correlated Color Temperature (CCT)</small>	3023 (Bright White)
---	----------------------------

LED Lumen Maintenance Projection <small>at 50,000 Hours at 40°C Ambient*</small>	86.52%
Warranty**	Yes

All results, except LED Lumen Maintenance, are according to IESNA LM-79-2008: Approved Method for the Electrical and Photometric Testing of Solid-State Lighting. The U.S. Department of Energy (DOE) verifies product test data and results.

* Based on TM-21 projections for the light source.
 ** See www.lightingfacts.com/products for details.

Registration Number: WVZA-AKQ1PS (7/24/2015)
 Model Number: OLGL-F40-L58-30-120
 Type: Luminaire - Directional