

Olivio Grande - Sistema Arm Mount

selux



Lines 2, 3 and 4 and line quantities applicable to SSx mounting only

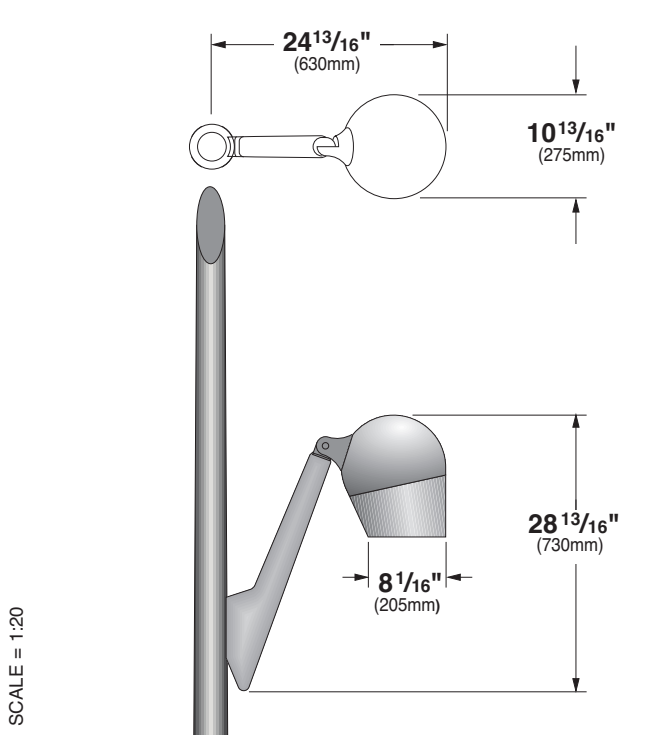
Project:	Type:	Qty:
FIXT #	QTY	SERIES - OPTICS- MOUNTING - LAMPING - LAMP COLOR- FINISH - VOLTAGE - ACCESS.1 - ACCESS.2
1		OLG- - - - - - - - - -
2		OLG- - - - - - - - - -
3		OLG- - - - - - - - - -
4		OLG- - - - - - - - - -

SSx only - FIRST specify pole arm locations on page 5, THEN assign fixture numbers to pole locations below.

POLE SERIES	HEIGHT	FINISH	RIVNUT PAIRS	OPT. 1	OPT. 2	LOC.1	LOC.2	LOC.3	LOC.4	LOC.5	LOC.6	LOC.7	LOC.8
O-						-	-	-	-	-	-	-	-
use pulldowns to assign fixture # to arm locations: - - - - -													

Series	Optics	Mounting	Lamping	Lamp Color	Finish	Voltage	Accessories
OLG	SN ¹ Spot Narrow 2x 3.5° (7° total)	SSx ¹ Specify Arm Locations (x = number of arms)	Ceramic Metal Halide	Ceramic Metal Halide	WH White BK Black BZ Bronze SV Silver SP Specify Premium Color	120 277 347 ²	DS ³ Dark Sky 0° Tilt Option LR ^{4,5} Colored Red LG ^{4,5} Colored Green LB ^{4,5} Colored Blue LY ^{4,5} Colored Yellow RL ⁴ Ring Louver RLC ⁴ Ring Louver w/ Closed Center SLH ⁴ Field Rotatable Spread Lens (Factory Set to Horizontal Distribution) SLV ⁴ Field Rotatable Spread Lens (Factory Set to Vertical Distribution) HL ⁴ Honeycomb Louver DF ^{4,5} Dichroic Filter (consult factory)
Olivio Grande	FM ¹ Flood Medium 2x 20° (40° total) FW ¹ Flood Wide 2x 45° (90° total) R2 Type II Distribution R5 Type V Distribution	W1 Single Wall Mount W2 Double Wall Mount	H039T6 39W T6 H070T6 70W T6 H150T6 150W T6	830 3000°K 842 4200°K (39W only) 942 4200°K (70W/150W only) NOL Lamp not included			
¹ Use chart on page 4, codes will be filled in automatically ² Only available with H150T6 ³ Full-Cutoff optics ⁴ Available w/SN, FM & FW. Up to 2 accessories may be chosen. ⁵ Up to 70W T6							

OLG-xx-xxxx-xxx-SS1



SCALE = 1:20

- Housing** - Pressure die-cast aluminum two-piece, single captive set screw for easy access.
 - Gasketing** - Continuous silicone gasket between fixture housing and lens base provide IP67 level ingress protection.
 - Lens** - Tempered clear glass lens held by mechanical fasteners. Linear spread lens, color filter glass, dichroic filters or honeycomb louver available as accessories.
 - Optics** - Precision formed, high performance reflector, in highly specular or diffuse finishes. Constructed of high purity aluminum with chemically brightened and anodized finish to produce optimum reflectivity for specified distributions.
 - Lamp** - As indicated. Selux provided lamps use brand name manufacturers.
 - Socket** - 2-pin G12 base 5kV ceramic/PPS lamp holder for T-6/T-7.5 lamps.
 - Ballasting** - Electronic, low THD, high power factor ballasts for 39 & 70 watt T6 lamps; or magnetic, high power factor, core and coil ballast for 150 watt T6 lamp.
 - Arm** - 70 degree conical cast aluminum mounting arms with easy access for wiring connection and pole mounting. Fixture head joint provides tilt-swivel range from 0° to 175°, and 360° rotation. Locks down with set screws.
 - Rivnuts** - (2) Two Rivnuts required per Fixture Arm and installed by manufacturer.
- Exterior Luminaire Finish** - Selux utilizes a high quality Polyester Powder Coating. All Selux luminaires and poles are finished in our Tiger Drylac certified facility and undergo a five stage intensive pretreatment process where product is thoroughly cleaned, phosphated and sealed. Selux powder coated products provide excellent salt and humidity resistance as well as ultra violet resistance for color retention. All products are tested in accordance with test specifications for coatings from ASTM and PCI.
- Standard exterior colors are White (WH), Black (BK), Bronze (BZ), and Silver (SV). Selux premium colors (SP) are available, please specify from your Selux color selection guide. Hot Dip Galvanized finish (GV) on all steel parts also available.

Selux Corp. © 2018
 TEL (845) 834-1400
 FAX (845) 834-1401
 www.selux.us
 OLG-S-0718-01 (ss-v3.6)

NRTL Listed (i.e. UL, CSA)
 Union Made Affiliated
 with **IBEW Local 363**



IP67

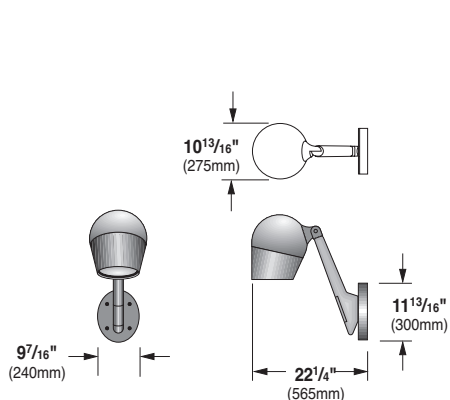
In a continuing effort to offer the best product possible, we reserve the right to change, without notice, specifications or materials that in our opinion will not alter the function of the product. Specification sheets found at www.selux.us are the most recent versions and supercede all other printed or electronic versions.

Wall Arm Mounting Configurations

Single Wall Arm (W1)

EPA = 2.1 ft² (0.195 m²)

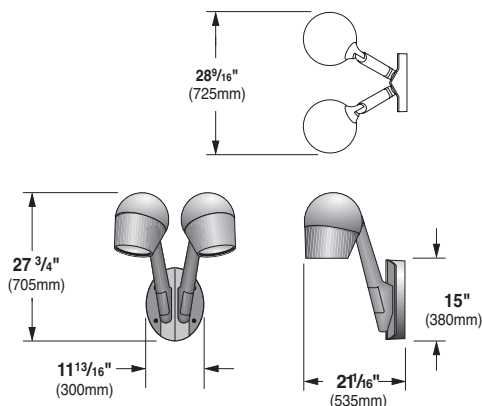
Weight = 35 lbs. (16 kg)



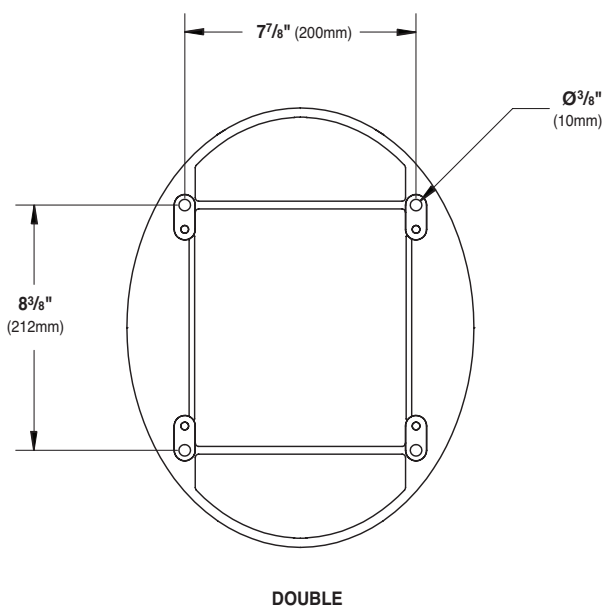
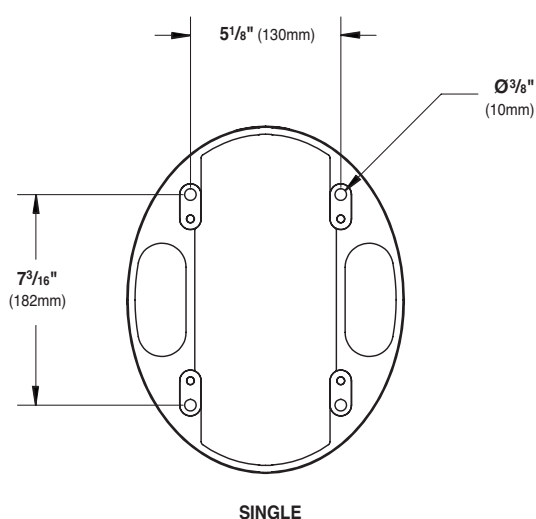
Double Wall Arms @ 60° (W2)

EPA = 4.3 ft² (0.371 m²)

Weight = 70 lbs. (32 kg)



Wall Mounting Pattern



Olivio Grande - Sistema Arm Mount

selux

Mounting Configurations

Single

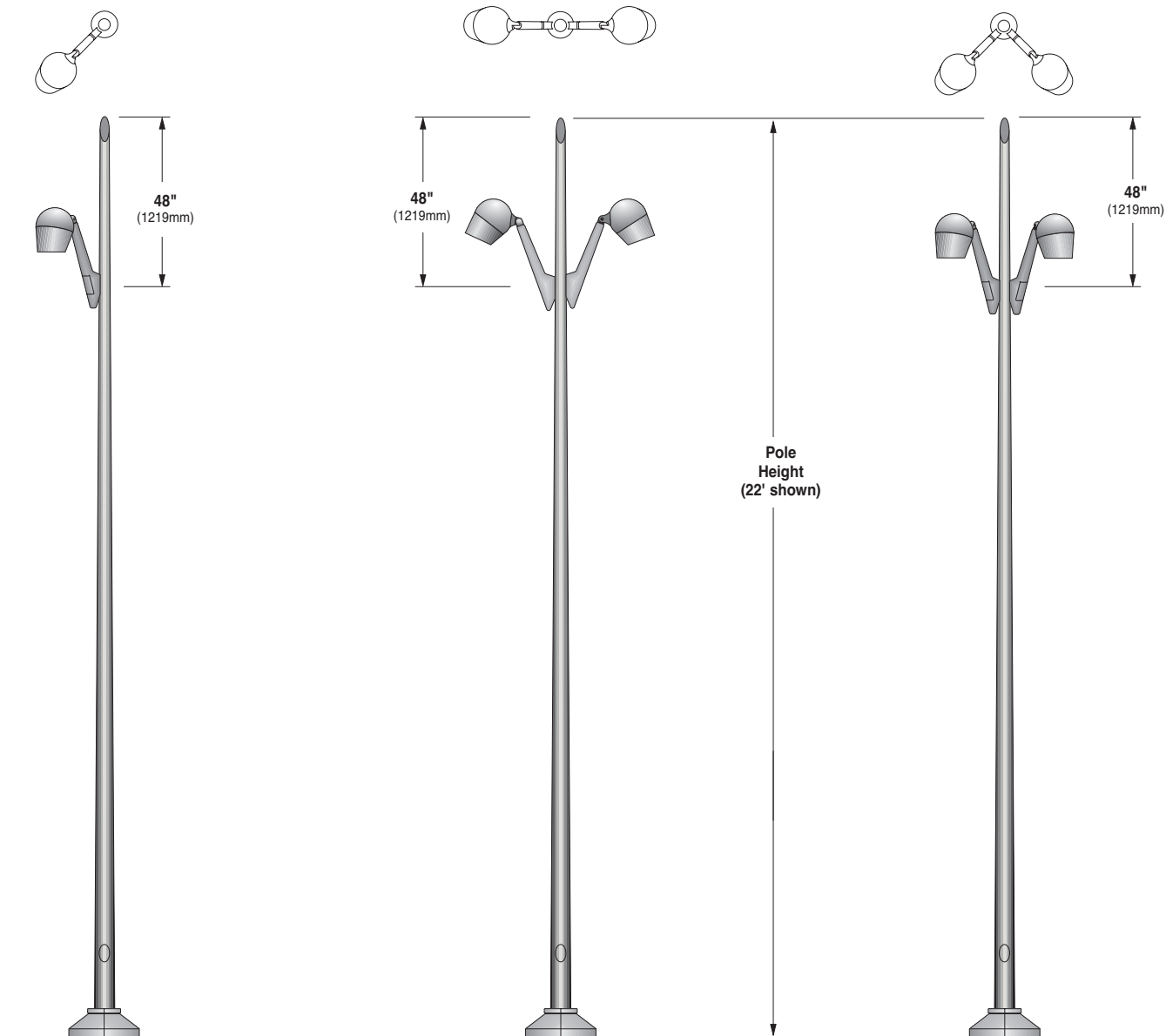
(Arm Location: OD)
EPA = 1.8 ft² (0.167 m²)
Weight = 35 lbs. (16 kg)
Rivnuts = 1 pair (RN1)

Double @ 180°

(Arm Locations: OG-OS)
EPA = 3.7 ft² (0.344 m²)
Weight = 70 lbs. (32 kg)
Rivnuts = 2 pair (RN2)

Double @ 90°

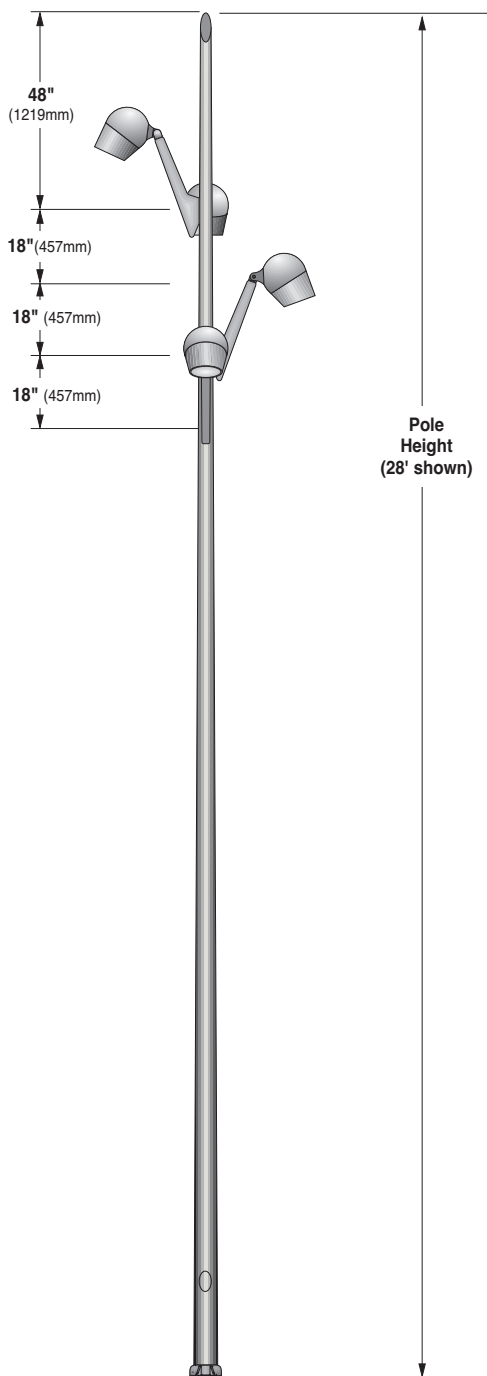
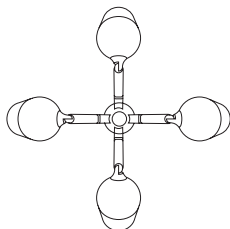
(Arm Locations: OD-OV)
EPA = 3.7 ft² (0.344 m²)
Weight = 70 lbs. (32 kg)
Rivnuts = 2 pair (RN2)



Mounting Configurations

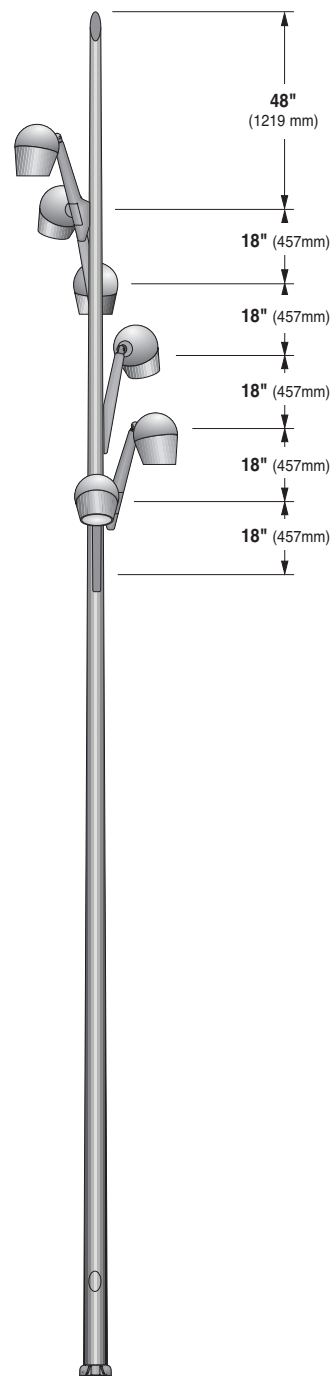
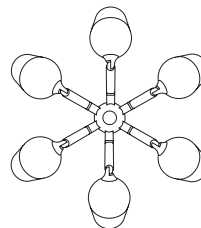
Quad Pole Arms stepped @ 90° (Arm Locations: 0G-1M-2S-3A)

EPA = 7.4 ft² (0.687 m²)
 Weight = 141 lbs. (64 kg)
 Rivnuts = 4 pair (RN4)



6 Fixture Pole Arms stepped @ 60° (Arm Locations: 0E-1I-2M-3Q-4U-5A)

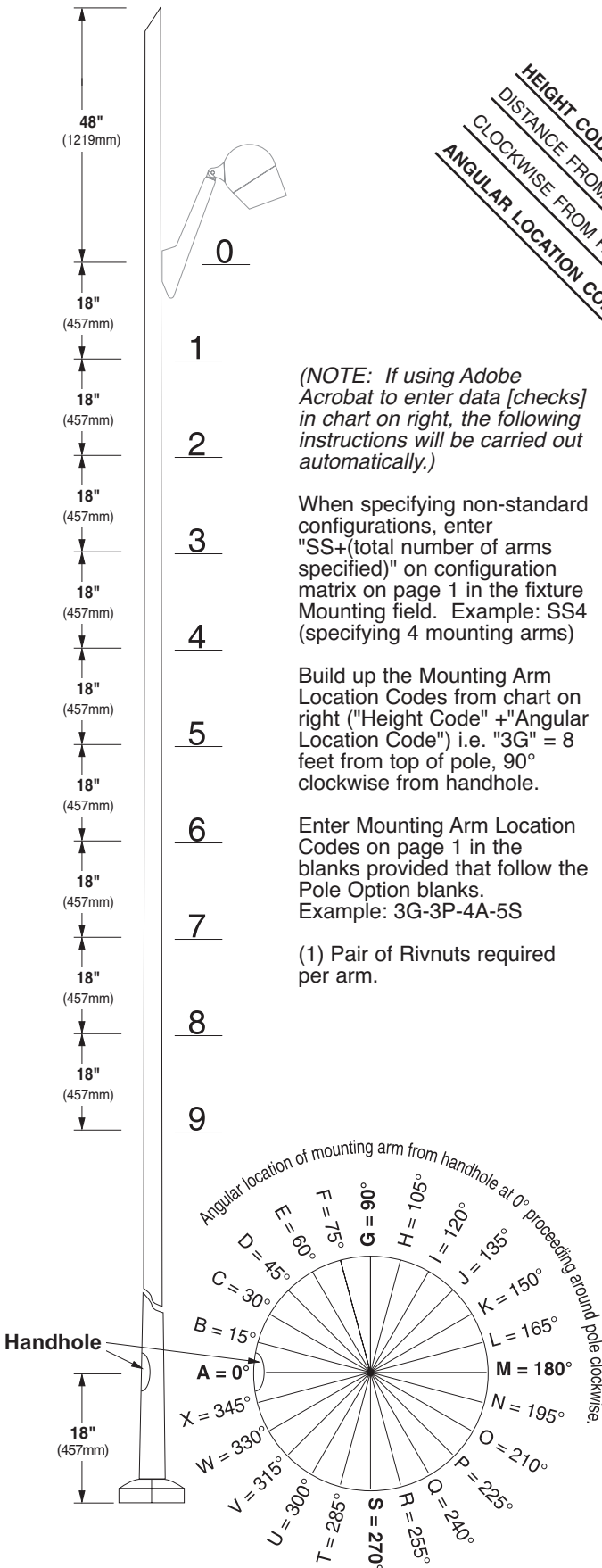
EPA = 11.1 ft² (1.03 m²)
 Weight = 211 lbs. (96 kg)
 Rivnuts = 6 pair (RN6)



Specify Mounting Configurations

Use checkboxes provided in chart below. Columns #0 through #9 indicate heights starting with 4 feet (1219mm) below top of pole and proceeding downwards in increments of 18 inches (457mm). Rows A through X indicate angular placement around pole starting with 0° at handhole and proceeding clockwise.

NOTE: Arms mounted at same height level must be spaced apart at 90° minimum. Arms mounted at adjacent height levels (18" apart) must be spaced apart at 45° minimum.



(NOTE: If using Adobe Acrobat to enter data [checks] in chart on right, the following instructions will be carried out automatically.)

When specifying non-standard configurations, enter "SS+(total number of arms specified)" on configuration matrix on page 1 in the fixture Mounting field. Example: SS4 (specifying 4 mounting arms)

Build up the Mounting Arm Location Codes from chart on right ("Height Code" +"Angular Location Code") i.e. "3G" = 8 feet from top of pole, 90° clockwise from handhole.

Enter Mounting Arm Location Codes on page 1 in the blanks provided that follow the Pole Option blanks. Example: 3G-3P-4A-5S

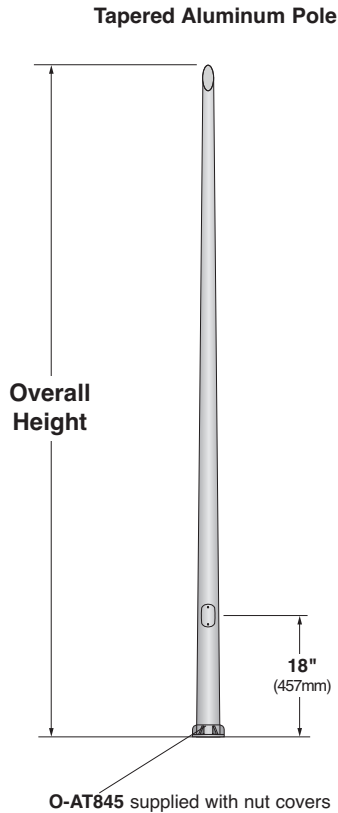
(1) Pair of Rivnuts required per arm.

HEIGHT CODE
DISTANCE FROM TOP OF POLE
CLOCKWISE FROM HANDHOLE
ANGULAR LOCATION CODE

		0	1	2	3	4	5	6	7	8	9
		4'	5.5'	7'	8.5'	10'	11.5'	13'	14.5'	16'	17.5'
A	0°										
B	15°										
C	30°										
D	45°										
E	60°										
F	75°										
G	90°										
H	105°										
I	120°										
J	135°										
K	150°										
L	165°										
M	180°										
N	195°										
O	210°										
P	225°										
Q	240°										
R	255°										
S	270°										
T	285°										
U	300°										
V	315°										
W	330°										
X	345°										

Pole Information

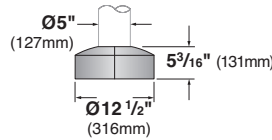
Refer to individual pole specification sheets for construction details, anchorage information and additional options.



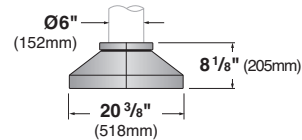
Optional Base Covers

Die cast aluminum, two piece field installable base covers

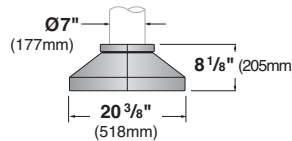
BC3 - Available for:
O-AT53-156
O-AT53-188



BC9 - Available for:
O-ST5928-11
O-ST5936-11



BC10 - Available for:
O-AT74-156
O-ST733-11



Pole Series	Wall	EPA Information (ft ²)				Height	Finish	Rivnut Pairs	Options
		80 mph	90 mph	100 mph	110 mph				
O-AT53-156 5" to 3" Tapered Alum. Pole	0.156	16.1	12.4	9.7	7.8	12 12 ft.	WH White	RN1 1 Pair	BC3 Die Cast Two-Piece Base Cover (see base cover details for pole compatibility)
O-AT53-188 5" to 3" Tapered Alum. Pole	0.188	19.5	15.1	11.9	9.6		BK Black	RN2 2 Pairs	
O-ST5936-11 5.9" to 3.6" Tapered Steel Pole	11 ga	19.3	15.1	12.2	10.0	16 16 ft.	BZ Bronze	RN3 3 Pairs	
O-AT74-156 7" to 4" Tapered Alum. Pole	0.156	20.0	15.4	12.2	9.9	18 18 ft.	SV Silver	RN4 4 Pairs	
O-AT845-188 8" to 4.5" Tapered Alum. Pole	0.188	22.4	17.3	13.8	11.2	22 22 ft.	SP Specify Premium Color	RN5 5 Pairs	BC10 Die Cast Base Cover (see base cover details for pole compatibility)
O-ST5928-11 5.9" to 2.8" Tapered Steel Pole	11 ga	12.5	9.9	8.0	6.0			RN6 6 Pairs	
O-ST733-11 7" to 3.3" Tapered Steel Pole	11 ga	20.3	16.2	13.1	11.0	26 26 ft.	RN7 7 Pairs		
O-AT845-250 8" to 4.5" Tapered Alum. Pole	0.250	22.4	17.3	13.8	11.2	28 28 ft.	RN8 8 Pairs		
O-ST838-11 8" to 3.8" Tapered Steel Pole	11 ga	18.9	14.9	12.0	8.0	30 30 ft.		REC GFCI Receptacle w/ weather-proof cover	
O-ST838-7 8" to 3.8" Tapered Steel Pole	7 ga	33.5	27.0	22.0	18.0			REC2 GFCI Receptacle w/ padlockable in-use cover	

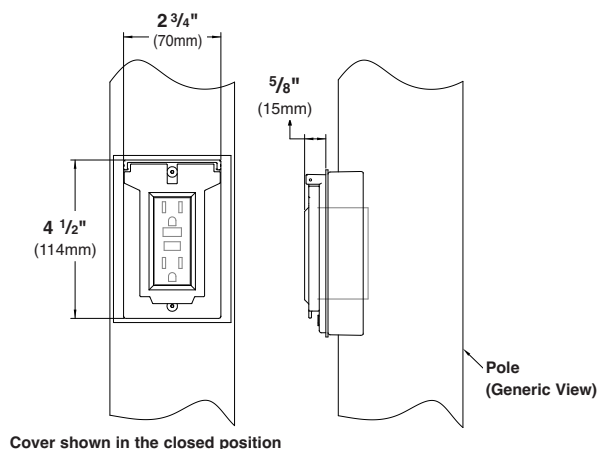
Other pole configurations available, consult factory

EPA Calculations allow for 1.3 Gust Factor

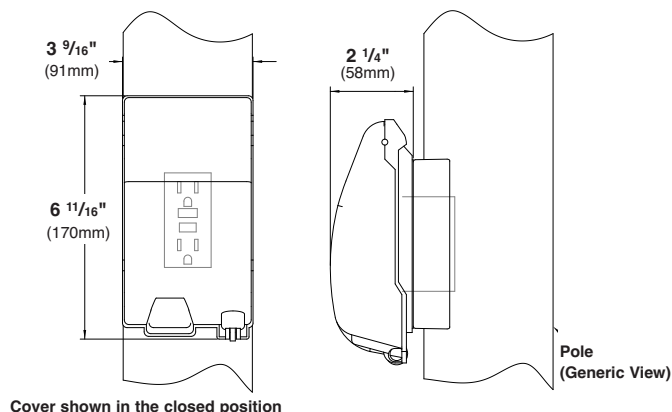
See Mounting Page for fixture w/arm EPA values

Optional Accessories

GFCI Receptacle (REC) - 120V 15A GFCI duplex receptacle with weather-proof, self-closing cover; located 36" (915mm) from base of pole, inline with handhole. Receptacle is intended only for portable tools or other portable equipment to be connected to outlet only when attended by operating personnel. For use with 120V applications only. For other fixture voltages, please consult factory for wire segregation requirements.

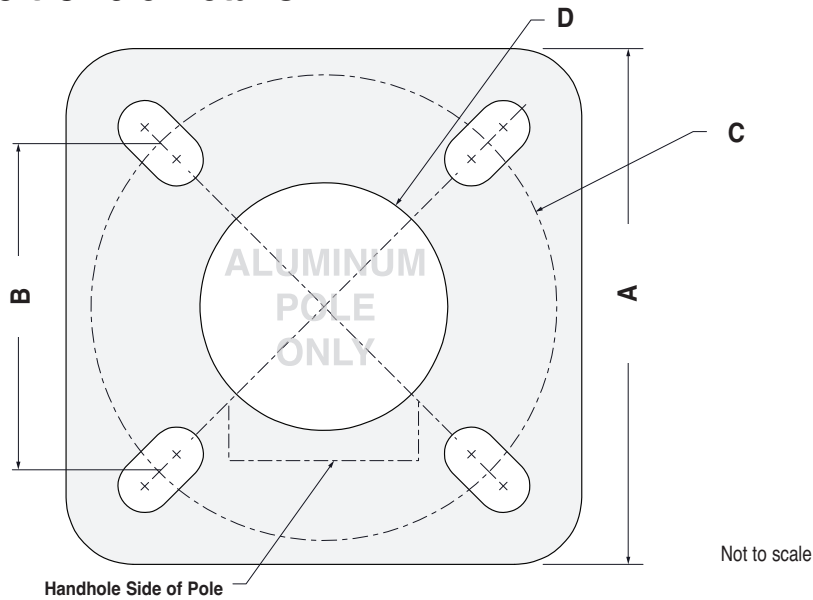


GFCI Receptacle (REC2) - 120V 15A GFCI duplex receptacle with weather-proof, self-closing, padlockable in-use cover; located 36" (915mm) from base of pole, inline with handhole. Receptacle is intended only for portable tools or other portable equipment to be connected to outlet only when attended by operating personnel. For use with 120V applications only. For other fixture voltages, please consult factory for wire segregation requirements.



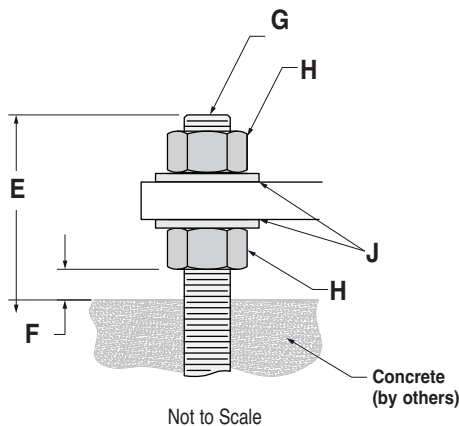
Aluminum Pole Bolt Circle Details

Mounting Plate Detail



Aluminum Tapered Pole Bolt Circle Info	A Base Plate SQ	B Bolt Spacing SQ	C Bolt Circle Ø	D Conduit Opening Ø
O-AT53-156 5'-3" Tapered Alum Pole	9 5/8" (244mm)	6 1/8" (155mm)	8 5/8" (219mm)	4 5/8" (117mm)
O-AT53-188 5'-3" Tapered Alum Pole	9 5/8" (244mm)	6 1/8" (155mm)	8 5/8" (219mm)	4 5/8" (117mm)
O-AT74-156 7"-4" Tapered Alum Pole	11 1/4" (286mm)	7 1/2" (190mm)	10 9/16" (268mm)	6" (152mm)
O-AT845-188 8"-4.5" Tapered Alum Pole	12 1/16" (306mm)	8 1/4" (209mm)	11 5/8" (295mm)	7 1/2" (191mm)
O-AT845-250 8"-4.5" Tapered Alum Pole	12 1/16" (306mm)	8 1/4" (209mm)	11 5/8" (295mm)	7 1/2" (191mm)

Anchor Bolt Detail



Use caution when setting anchor bolts. Bolts must be vertically straight and centered on dimension shown. Concrete footing and feed conduit to be designed and installed by others.

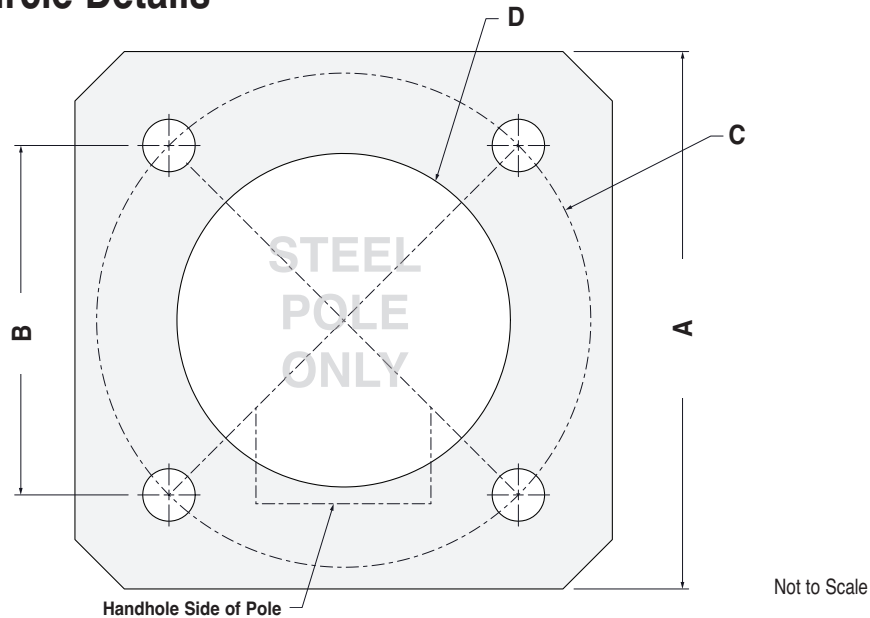
Individual 1:1 scale drawings for installation available, please consult factory.

All Hardware is Galvanized

Aluminum Tapered Pole Anchor Info	E Bolt Projection	F For Leveling	G Anchor Bolt	H Heavy Hex Nut	J Flat Washer
O-AT53-156 5'-3" Tapered Alum Pole	3 1/4" (82mm)	1/2" (13mm)	3/4"-10 UNC x 17"	3/4"-10 UNC	3/4" ID
O-AT53-188 5'-3" Tapered Alum Pole	3 1/4" (82mm)	1/2" (13mm)	3/4"-10 UNC x 17"	3/4"-10 UNC	3/4" ID
O-AT74-156 7"-4" Tapered Alum Pole	4 1/8" (105mm)	1/2" (13mm)	1"-8 UNC x 36"	1"- 8 UNC	1" ID
O-AT845-188 8"-4.5" Tapered Alum Pole	4 1/8" (105mm)	1/2" (13mm)	1"-8 UNC x 36"	1"- 8 UNC	1" ID
O-AT845-250 8"-4.5" Tapered Alum Pole	4 1/8" (105mm)	1/2" (13mm)	1"-8 UNC x 36"	1"- 8 UNC	1" ID

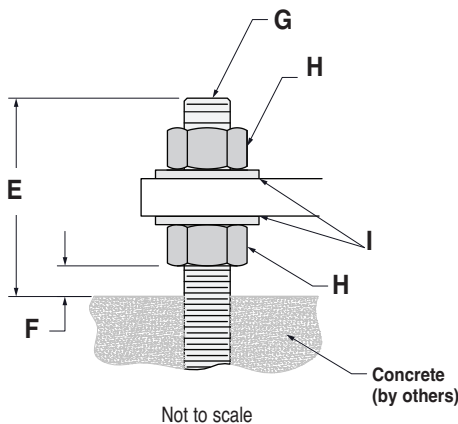
Steel Pole Bolt Circle Details

Mounting Plate Detail



Steel Tapered Pole Bolt Circle Info	A Base Plate SQ	B Bolt Spacing SQ	C Bolt Circle Ø	D Conduit Opening Ø
O-ST5936-11 5.9"-3.6" Tapered Steel Pole	10" (254mm)	6 3/8" (162mm)	9" (229mm)	5 5/8" (143mm)
O-ST5928-11 5.9"-2.8" Tapered Steel Pole	10" (254mm)	6 3/8" (162mm)	9" (229mm)	5 5/8" (143mm)
O-ST733-11 7"-3.3" Tapered Steel Pole	10 7/8" (276mm)	7 1/16" (180mm)	10" (254mm)	6 3/4" (171mm)
O-ST838-11 8"-3.8" Tapered Steel Pole	11 1/2" (292mm)	7 3/4" (198mm)	11" (279mm)	7 3/4" (197mm)
O-ST838-7 8"-3.8" Tapered Steel Pole	11 1/2" (292mm)	7 3/4" (198mm)	11" (279mm)	7 5/8" (194mm)

Anchor Bolt Detail



Use caution when setting anchor bolts. Bolts must be vertically straight and centered on dimension shown. Concrete footing and feed conduit to be designed and installed by others.

Individual 1:1 scale drawings for installation available, please consult factory.

All Hardware is Galvanized

Steel Tapered Pole Anchor Info	E Bolt Projection	F For Leveling	G Anchor Bolt	H Heavy Hex Nut	I Flat Washer
O-ST5936-11 5.9"-3.6" Tapered Steel Pole	4 1/8" (105mm)	1/2" (13mm)	1"-8 UNC x 36"	1"-8 UNC	1" ID
O-ST5928-11 5.9"-2.8" Tapered Steel Pole	4 1/8" (105mm)	1/2" (13mm)	1"-8 UNC x 36"	1"-8 UNC	1" ID
O-ST733-11 7"-3.3" Tapered Steel Pole	4 1/8" (105mm)	1/2" (13mm)	1"-8 UNC x 36"	1"-8 UNC	1" ID
O-ST838-11 8"-3.8" Tapered Steel Pole	4 1/8" (105mm)	1/2" (13mm)	1"-8 UNC x 36"	1"-8 UNC	1" ID
O-ST838-7 8"-3.8" Tapered Steel Pole	5" (127mm)	1/2" (13mm)	1 1/4" -7 UNC x 42"	1 1/4"-7 UNC	1 1/4" ID