

Olivio Grande - Candelabra Pole Top

selux



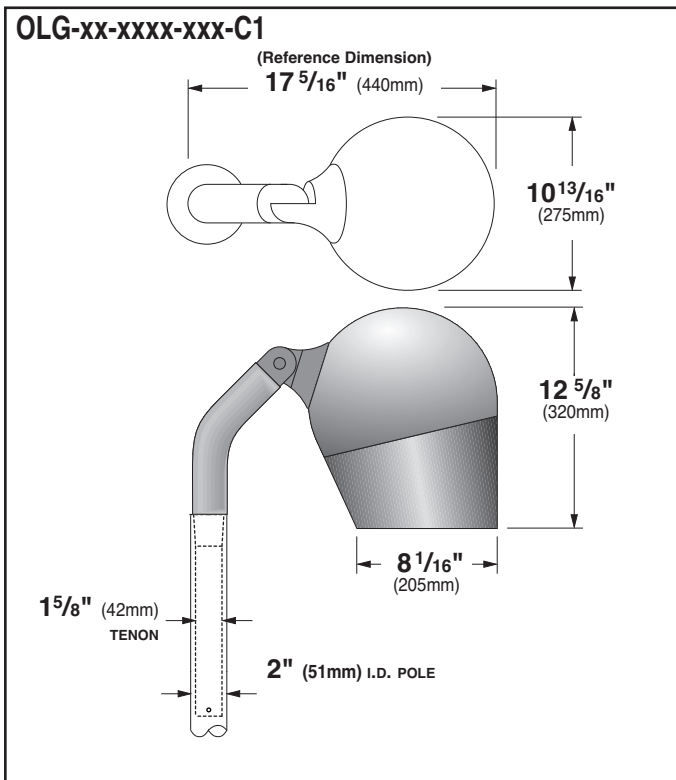
Project: _____

Type: _____ **Qty:** _____

OLG	---	---	---	---	---	---	---
Series	Optics	Mounting	Lamping	Lamp Color	Finish	Voltage	
			AT524				
	Options		Pole Series	Height	Finish	Pole Options	

Series	Optics	Mounting	Lamping	Lamp Color	Finish	Voltage	Options
OLG Olivio Grande	SN Spot Narrow (2x 3.5°)	C1 Single Candelabra Pole Top	Ceramic Metal Halide (Includes electronic ballast)	Ceramic Metal Halide (Includes electronic ballast)	WH White	120	DS² Dark Sky 0° Tilt Option
	FM Flood Medium (2x 20°)	C2 Double @120° Candelabra Pole Top	H039T6 39W T6 G12	830 3000°K	BK Black	277	LR^{3,4} Colored Red
	FW Flood Wide (2x 45°)		H070T6 70W T6 G12	842 4200°K (39W only)	BZ Bronze	347¹	LG^{3,4} Colored Green
	R2 Type II Aluminum Reflector	C2A Double @180° Candelabra Pole Top	H150T6 150W T6 G12	942 4200°K (150W/70W only)	SV Silver		LB^{3,4} Colored Blue
	R5 Type V Aluminum Reflector	C3 Triple Candelabra Pole Top		NOL Lamp not included	SP Specify Premium Color		LY^{3,4} Colored Yellow
							RL³ Ring Louver RLC³ Ring Louver w/ Closed Center SLH³ Field Rotatable Spread Lens (Factory Set to Horizontal Distribution) SLV³ Field Rotatable Spread Lens (Factory Set to Vertical Distribution) HL³ Honeycomb Louver DF^{3,4} Dichroic Filter (consult factory)

¹ Only available with H150T6 lamping. ² Full-Cutoff optics ³ Available w/SN, FM & FW. Up to 2 accessories may be chosen. ⁴ Up to 70W T6



1. Housing - Pressure die-cast aluminum two-piece, single captive set screw for easy access.

2. Gasketing - Silicone gasket between fixture housing and lens base provide IP67 level ingress protection.

3. Lens - Tempered clear glass lens held by mechanical fasteners. Linear spread lens, color filter glass, dichroic filters or honeycomb louver available as accessories.

4. Optics - Precision formed, high performance reflector, in highly specular or diffuse finishes. Constructed of high purity aluminum with chemically brightened and anodized finish to produce optimum reflectivity for specified distributions.

5. Lamping - As indicated. Selux provided lamps use brand name manufacturers.

6. Socket - 2-pin G12 base 5kV ceramic/PPS lamp holder for T-6/T-7.5 lamps.

7. Ballasting - Electronic, low THD, high power factor ballasts for 39 watt and 70 watt T6 lamps; or magnetic, high power factor, core and coil ballast for 150 watt T6 lamp.

8. Arm - 45 degree curved aluminum arm. Fixture head joint provides tilt-swivel range from 0° to 175°, as well as 360° rotation. Locks down with set screws.

9. Pole Fitter - Cast aluminum mounting arms include tenon that is inserted into a 2.0" I.D. pole and locked into place with set screws.

Exterior Luminaire Finish - Selux utilizes a high quality Polyester Powder Coating. All Selux luminaires and poles are finished in our Tiger Drylac certified facility and undergo a five stage intensive pretreatment process where product is thoroughly cleaned, phosphated and sealed. Selux powder coated products provide excellent salt and humidity resistance as well as ultra violet resistance for color retention. All products are tested in accordance with test specifications for coatings from ASTM and PCI.

Standard exterior colors are White (WH), Black (BK), Bronze (BZ), and Silver (SV). Selux premium color (SP) are available, please specify from your Selux color selection guide. Hot Dip Galvanized finish (GV) on all steel parts also available.

Selux Corp. © 2017
TEL (845) 834-1400
FAX (845) 834-1401
www.selux.us
OLG-C-0917-01 (ss-v2.6)

NRTL Listed (i.e. UL, CSA)

Union Made Affiliated
with **IBEW Local 363**



IP67

In a continuing effort to offer the best product possible, we reserve the right to change, without notice, specifications or materials that in our opinion will not alter the function of the product. Specification sheets found at www.selux.us are the most recent versions and supercede all other printed or electronic versions.

Olivio Grande - Candelabra Pole Top

selux

Mounting Configurations

Single (C1)

EPA = 1.0 ft² (0.093 m²)
Weight = 22 lbs. (10 kg)

Double @ 120° (C2)

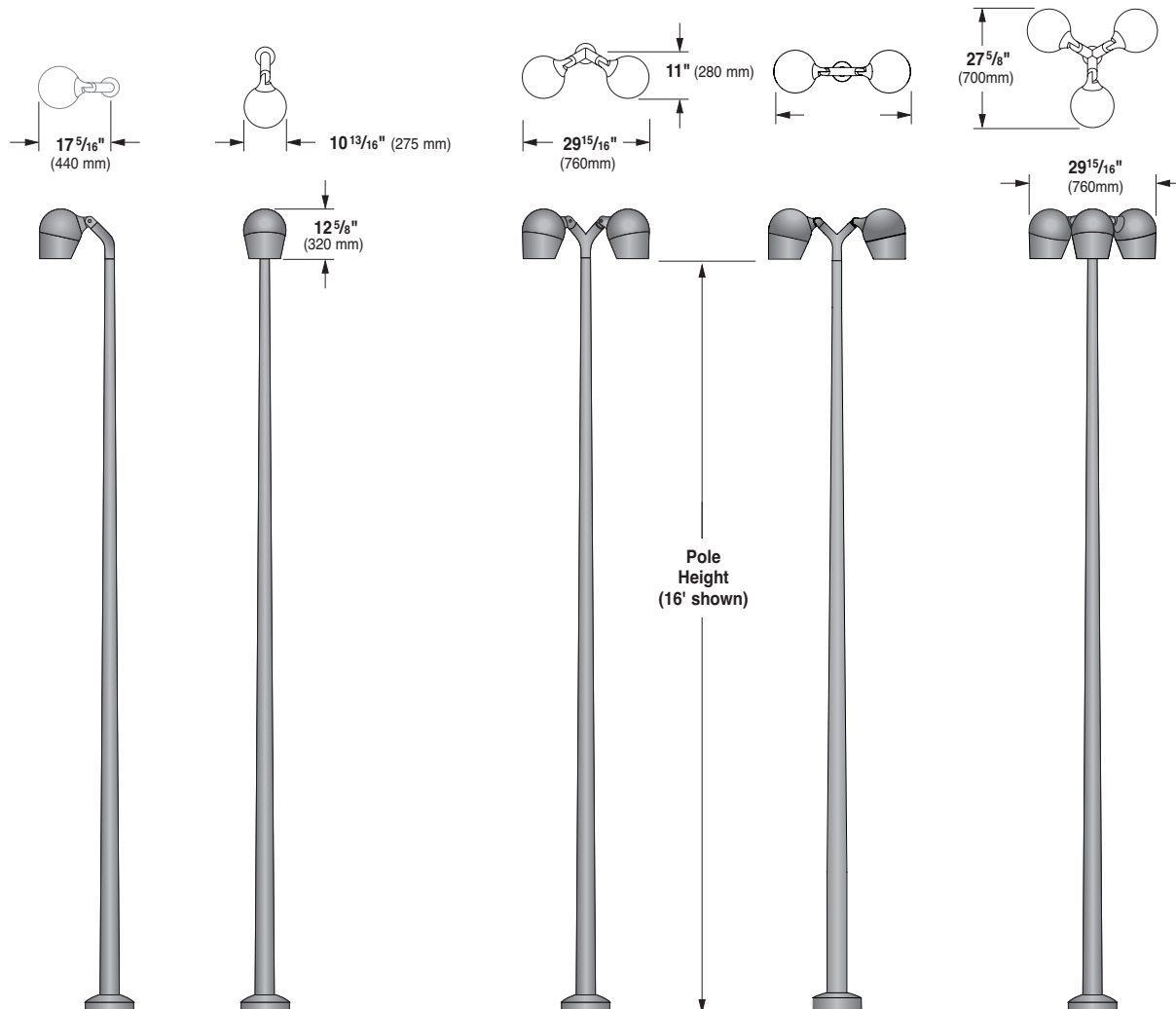
EPA = 2.0 ft² (0.186 m²)
Weight = 44 lbs. (20 kg)

Double @ 180° (C2A)

EPA = 2.0 ft² (0.186 m²)
Weight = 44 lbs. (20 kg)

Triple @ 120° (C3)

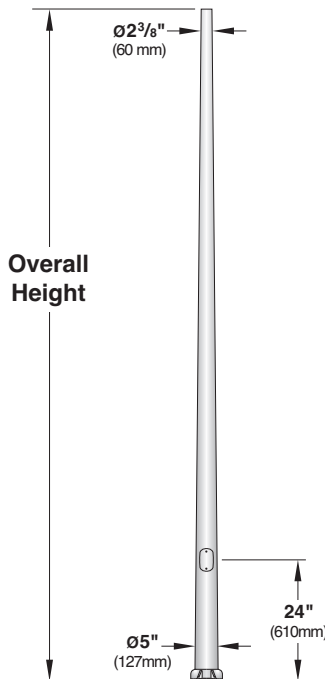
EPA = 3.0 ft² (0.279 m²)
Weight = 66 lbs. (30 kg)



Pole Information

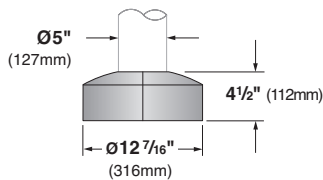
Refer to individual pole specification sheets for construction details, anchorage information and additional options.

AT524 Tapered Aluminum Pole

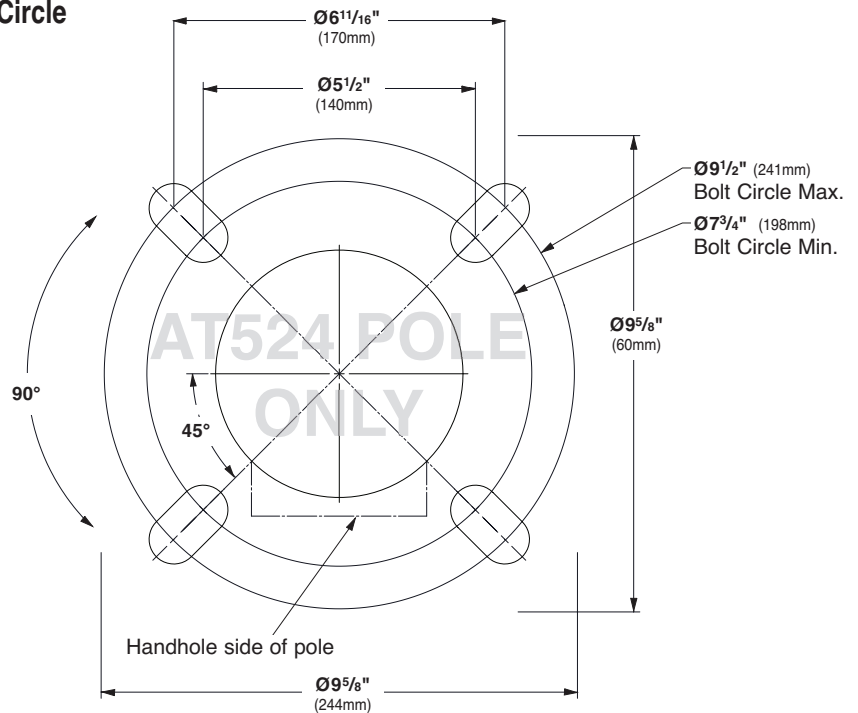


BC3 Optional Base Cover

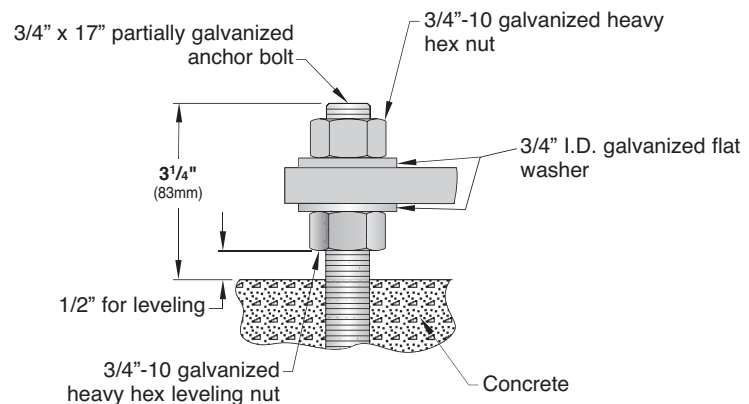
Die cast aluminum, two piece field installable base cover



Bolt Circle



Anchor Bolt



Pole Series	Bolt Circle	Wall	EPA Information (ft ²)				Height	Finish	Options	
			80 mph	90 mph	100 mph	110 mph				
AT524	5" to 2.4" Tapered Aluminum Pole	9"	0.188	15.3	11.7	9.2	7.4	13 13 ft.	WH White	BC3 Die Cast Two-Piece Base Cover
AT524	5" to 2.4" Tapered Aluminum Pole	7 3/4"	0.188	13.8	10.6	8.3	6.6	14 14 ft.	BK Black	
AT524	5" to 2.4" Tapered Aluminum Pole	7 3/4"	0.188	12.5	9.5	7.4	5.9	15 15 ft.	BZ Bronze	
AT524	5" to 2.4" Tapered Aluminum Pole	8 1/2"	0.188	11.4	8.6	6.6	5.2	16 16 ft.	SV Silver	
									SP Specify Premium Color	

Other pole configurations available, consult factory

EPA Calculations allow for 1.3 Gust Factor

See Mounting Page for fixture w/arm EPA values