

Date: _____ Customer: _____
 Project: _____
 Type: _____ Qty: _____



Notch Bollard LED

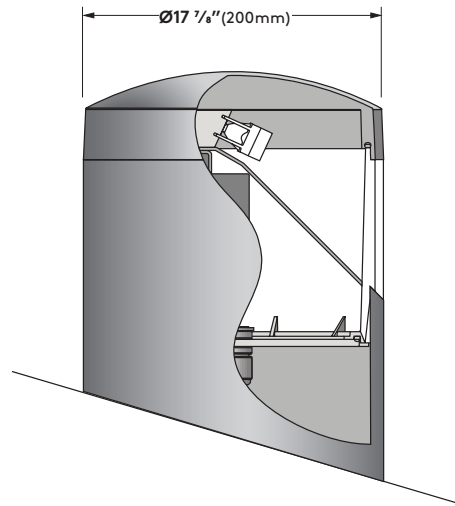


Order Code: NT - - - - -

Pole Order Code: _____
 Series Height Finish Options

Series	NT Notch Bollard LED					
Height	1.5 1.5 ft. (consult factory)	2 2 ft. (consult factory)	2.5 2.5 ft.	3 3 ft.	3.5 3.5 ft.	4 4 ft. <small>*For other heights, please consult factory</small>
Light Engine	LG4500 10W	LG4700 14W				
CCT	30 3000K	35 3500K	40 4000K	50 5000K		
Finish	WH White	BK Black	BL Semi-Matte Black	BZ Bronze	SV Silver	SP Specify Premium Color
Voltage	120* 120V	208 208V	240* 240V	277* 277V	347 ¹ 347V	480 ¹ 480V <small>¹Equipped with internal stepdown transformer [*]Specify for HL option</small>
Options	DM Dimming (0-10V)	HLXX ^{2,3} Hi-Lo Switching	PC Photocell (consult factory)	REC GFCI Receptacle w/ weather- proof cover	REC2 GFCI Receptacle w/ padlockable in-use cover	 <small>²120V, 240V & 277 only. ³DM or HL only. Cannot be combined</small>
	REC3 USB & Duplex Receptacle w/ weather- proof cover	REC4 USB & Duplex Receptacle w/weather- proof padlockable in-use cover				

NT



Specifications

Fixture Housing - Made from die cast, low copper aluminum alloy.

Gasketing - Continuous molded silicone gasket provides weatherproofing, dust and insect control at shielding base, and fixture cover.

Shielding - Transparent, continuous one-piece injection molded, UV stabilized polycarbonate lens, minimum wall thickness $\frac{5}{16}$ " (8.25mm). Shielding is flush with column surface completely enclosing optic chamber.

LED Array - LEDs mounted to metal core PC boards and directly attached to aluminum heat sink for maximum LED performance and life. Includes LED drivers and precise high performance injection-molded lenses. Complete light engine can be easily replaced. LEDs can be started and re-started instantly at temperatures as low as -20° . For lumen maintenance information, see IESTM-21-11 details.

LED Optics - High precision injection molded lenses consisting of Total Internal Reflection (TIR) collimator and light shaping lens. Lenses produce an asymmetric distribution.

Column - Extruded thick-walled low copper aluminum, minimum wall thickness 0.118" (3mm) with internal anchor bolts and flush handhole cover.

Surge Protection - Designed to protect luminaire from electrical surge (up to 10kA).

Exterior Luminaire Finish - Selux utilizes a high quality Polyester Powder Coating. All Selux luminaires and poles are finished in our Tiger Drylac certified facility and undergo a five stage intensive pretreatment process where product is thoroughly cleaned, phosphated and sealed. Selux powder coated products provide excellent salt and humidity resistance as well as ultra violet resistance for color retention. All products are tested in accordance with test specifications for coatings from ASTM and PCI.

Standard exterior colors are White (WH), Black (BK), Semi-Matte Black (BL), Bronze (BZ), and Silver (SV). Selux premium colors (SP) are available, please specify from your Selux color selection guide.

5 Year Limited LED Luminaire Warranty - Selux offers a 5 Year Limited Warranty to the original purchaser that the Selux LED luminaire shall be free from defects in material and workmanship for up to five (5) years from date of shipment. This limited warranty covers the fixture, LED driver and LED light engine when installed and operated according to Selux instructions. Fixture suitable for ambient temperatures of 40° C (104° F). For details and exclusions, see "Selux Terms and Condition of Sale."

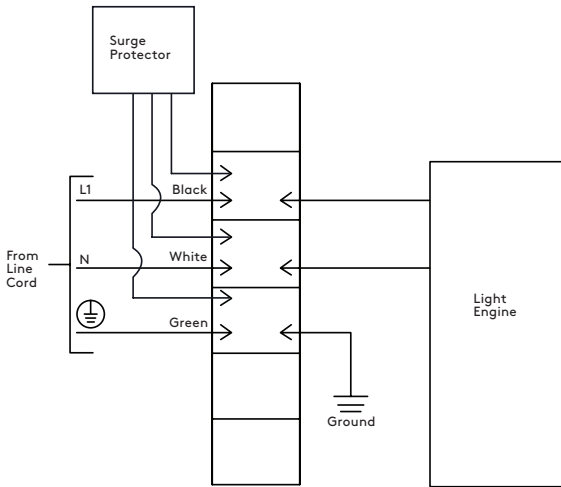
Listings and Ratings: Tested to IESNA LM-79-08 and LM-80 test standards at 25° C ambient temperature.

Visit selux.us for our LED End of Life recycling policy.

Wiring Diagrams

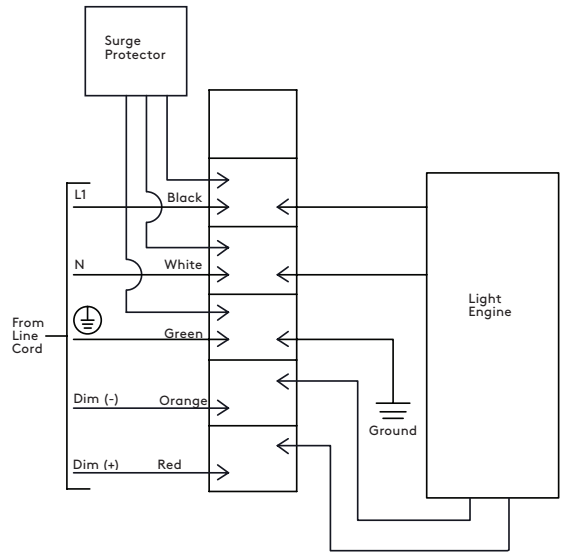
Standard Single Wiring

LG4700 at 120-277V for high output.
 LG4500 at 120-277V for low output.



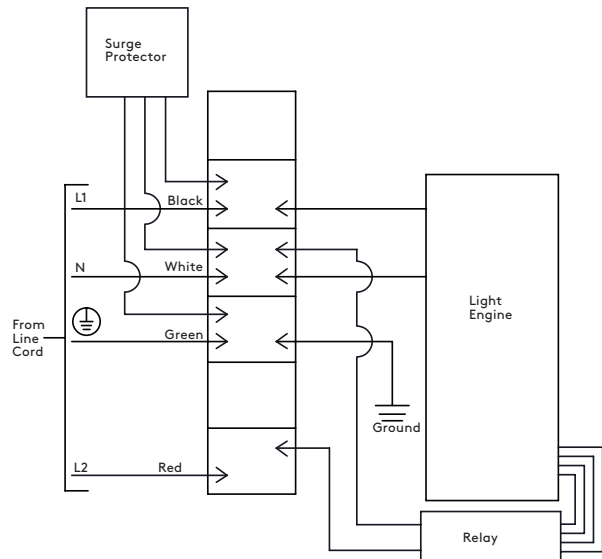
0-10V Dimming Option (DM) Wiring

LG4700 at 120-277V.



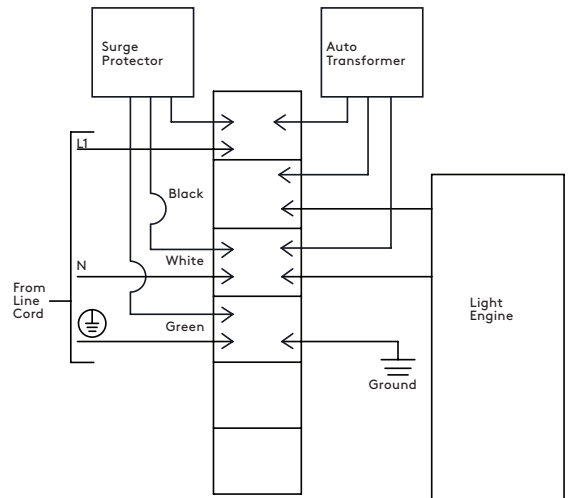
Hi-Lo Switching Option (HL) Wiring

LG4700 at 120-277V. When red is energized, power consumption will be at "Lo" level. Lo = 70% power consumption.

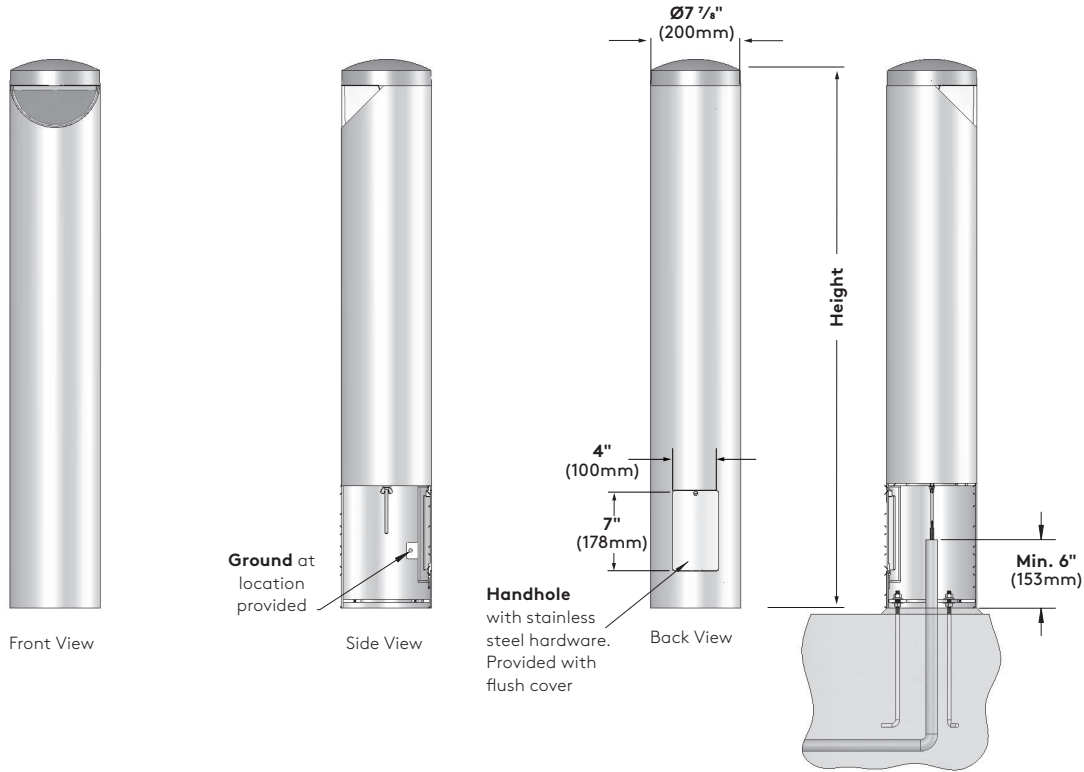


347/480V

LG4700 at 347/480V for high output. LG4500 at 347/480V for low output.



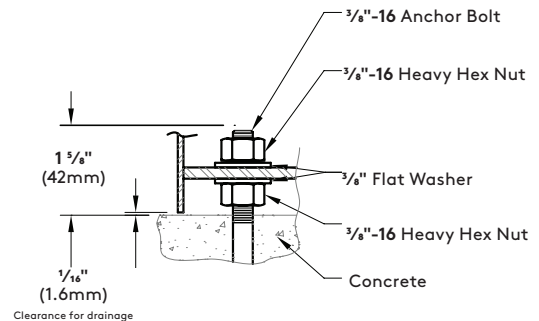
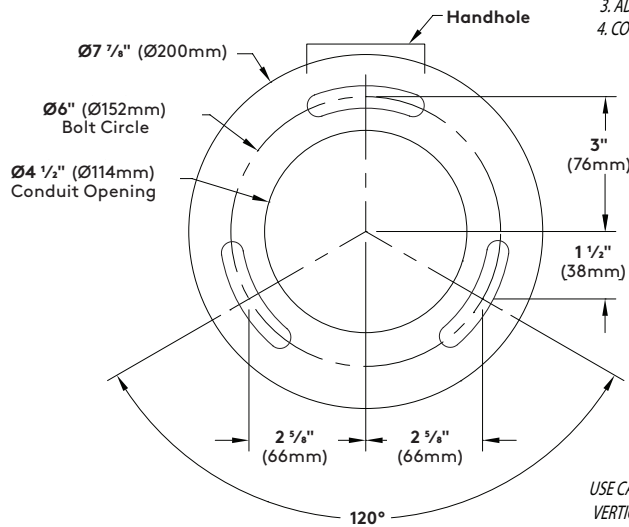
Mounting Details



Anchorage Details

NOTES:

1. BOLLARD ORIENTATION IS CRITICAL, ROD & HAND HOLE LOCATIONS ARE CRITICAL.
2. LOCATE SINGLE BOLT AT HAND HOLE LOCATION.
3. ADEQUATE DRAINAGE MUST BE PROVIDED IN CONCRETE FOUNDATION.
4. CONDUIT SHOULD BE STUBBED UP ABOVE THE CONCRETE FOOTING

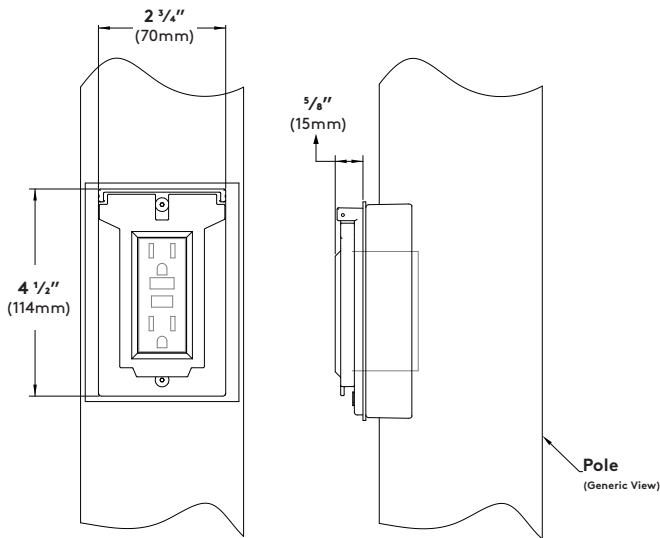


BOLT CIRCLE DETAIL (Not to Scale)

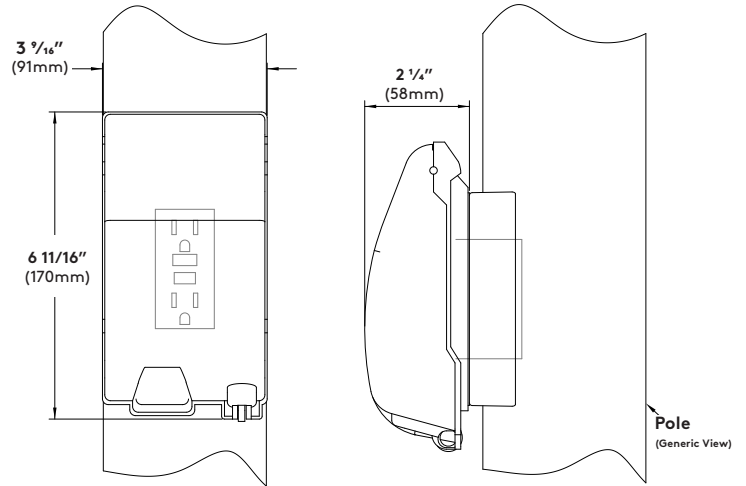
USE CAUTION WHEN SETTING ANCHOR BOLTS. BOLTS MUST BE VERTICALLY STRAIGHT AND CENTERED ON DIMENSIONS SHOWN.

Optional Accessories

GFCI Receptacle (REC) - 120V 15A GFCI duplex receptacle with weather-proof, self-closing, non-lockable cover; located 36" (915mm) from base of pole, inline with handhole. Receptacle is intended only for portable tools or other portable equipment to be connected to outlet only when attended by operating personnel. For use with 120V applications only. For use with luminaires with other than 120V rating, please consult factory for wire segregation.



GFCI Receptacle (REC2) - 120V 15A GFCI duplex receptacle with weather-proof, self-closing, padlockable in-use cover; located 36" (915mm) from base of pole, inline with handhole. Receptacle is intended only for portable tools or other portable equipment to be connected to outlet only when attended by operating personnel. For use with 120V applications only. For use with luminaires with other than 120V rating, please consult factory for wire segregation.



USB & Duplex Receptacle (REC3) (not shown) - 120V 15A duplex receptacle with USB combination ports. (1) type A and (1) type C high power 5 Amp, 5 Volt USB outlets. With weather-proof, self-closing cover; located 36" (915mm) from base of pole, inline with handhole. Receptacle is intended only for portable tools or other portable equipment to be connected to outlet only when attended by operating personnel.

USB & Duplex Receptacle (REC4) (not shown) - 120V 15A duplex receptacle with USB combination ports. (1) type A and (1) type C high power 5 Amp, 5 Volt USB outlets. With weather-proof, self-closing padlockable in-use cover; located 36" (915mm) from base of pole, inline with handhole. Receptacle is intended only for portable tools or other portable equipment to be connected to outlet only when attended by operating personnel.

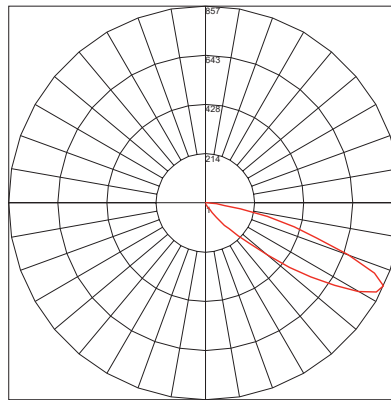
Notch Bollard LED



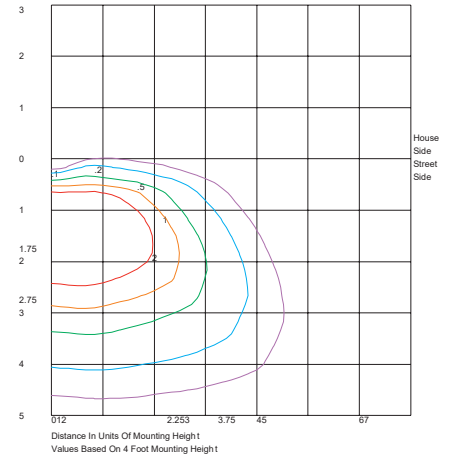
Photometry

14W LED / 3000K CCT

Catalog #: NT-4-LG4700-30
 Report #: 830336
 Delivered Lumens: 676
 Input Watts: 14W
 Efficacy: 47
 CCT: 3000K
 Maximum candela of 856 at 65° from vertical.
 Mounting Height: 4' (1.22 M)
 BUG Rating: B0-U1-G1



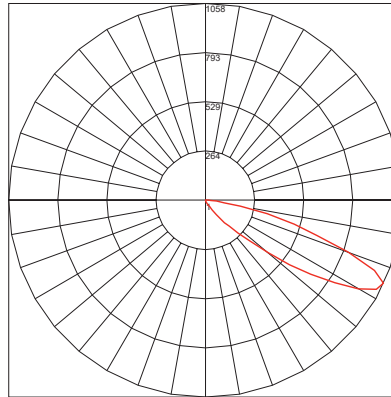
Maximum Candela = 856.8 Located At Horizontal Angle = 25, Vertical Angle = 65
 # 1 - Vertical Plane Through Horizontal Angles (25 - 205) (Through Max. Cd.)



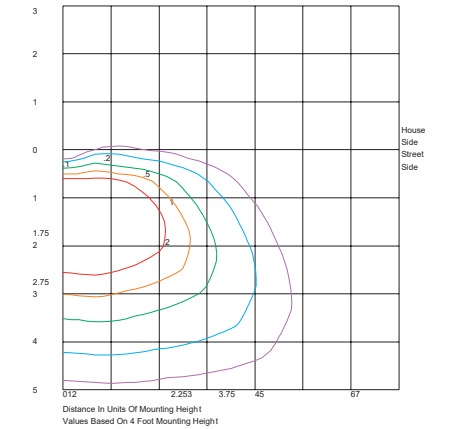
Distance In Units Of Mounting Height
 Values Based On 4 Foot Mounting Height

14W LED / 3500K CCT

Catalog #: NT-4-LG4700-35
 Report #: 830336_35
 Delivered Lumens: 834
 Input Watts: 14W
 Efficacy: 58
 CCT: 3500K
 Maximum candela of 856 at 65° from vertical.
 Mounting Height: 4' (1.22 M)
 BUG Rating: B0-U1-G1



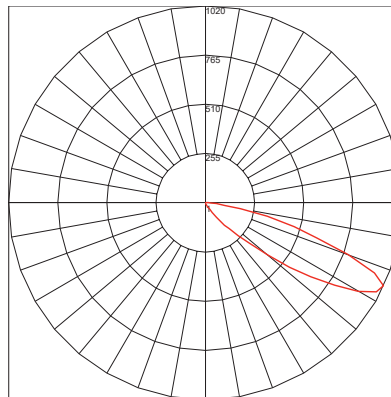
Maximum Candela = 1057.72 Located At Horizontal Angle = 25, Vertical Angle = 65
 # 1 - Vertical Plane Through Horizontal Angles (25 - 205) (Through Max. Cd.)



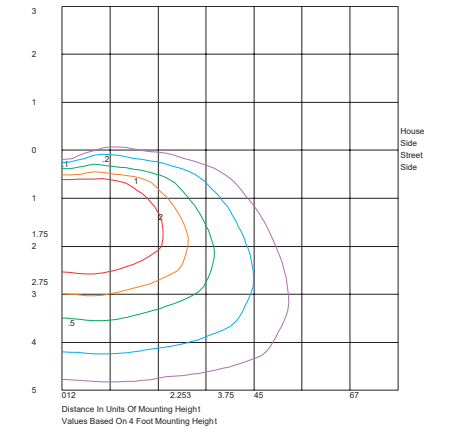
Distance In Units Of Mounting Height
 Values Based On 4 Foot Mounting Height

14W LED / 4000K CCT

Catalog #: NT-4-LG4700-40
 Report #: 830336_40
 Delivered Lumens: 804
 Input Watts: 14W
 Efficacy: 56
 CCT: 4000K
 Maximum candela of 1019 at 65° from vertical.
 Mounting Height: 4' (1.22 M)
 BUG Rating: B0-U1-G1



Maximum Candela = 1019.678 Located At Horizontal Angle = 25, Vertical Angle = 65
 # 1 - Vertical Plane Through Horizontal Angles (25 - 205) (Through Max. Cd.)



Distance In Units Of Mounting Height
 Values Based On 4 Foot Mounting Height

Photometry

14W LED / 5000K CCT

Catalog #: NT-4-LG4700-50

Report #: 830336_50

Delivered Lumens: 935

Input Watts: 14W

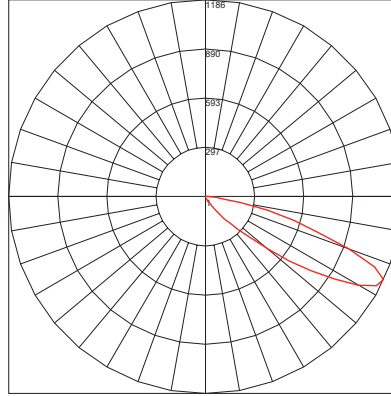
Efficacy: 65

CCT: 5000K

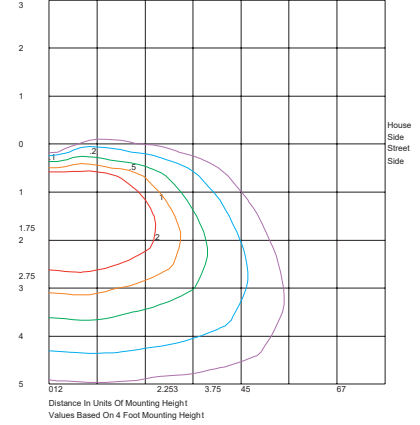
Maximum candela of 1186 at 65° from vertical.

Mounting Height: 4' (1.22 M)

BUG Rating: B0-U1-G1



Maximum Candela = 1186.111 Located At Horizontal Angle = 25, Vertical Angle = 65
1 - Vertical Plane Through Horizontal Angles (25 - 205) (Through Max. Cd.)



Distance In Units Of Mounting Height
Values Based On 4 Foot Mounting Height

Conversion Chart	
Values based on 3' (.9) mounting height	
Mounting Height	Multiply
2.0' (.6 m)	1.22
2.5' (.8 m)	1.09
3.0' (.9 m)	1.00
3.5' (1.1 m)	0.92
4.0' (1.2 m)	0.87

IES TM-21-11 Report Results

Based on an ambient temperature of 25°C / 77° F

Reported L70 (6k) (hours) > 36,000

Calculated L70 (6k) (hours) > 601,000

25,000h lumen maintenance predicted to be 98.75%

Notch Bollard LED GEN 4 Lumen Matrix							
Model#	Watts	Scale Factor from BASE	Delivered Lumens	NT Toolbox Scale Factor	Lumens/Watt	Light Engine Multiplier	CCT Multiplier
NT-X-LG4500-30-120	10.42	1.0000	405	1.0000	38.9	1.000	3000K CCT = 1.000
NT-X-LG4700-30-120	14.39	1.0000	676	1.0000	47.0	1.669	
NT-X-LG4500-35-120	10.42	1.2345	500	1.2345	48.0	1.000	3500K CCT = 1.235
NT-X-LG4700-35-120	14.39	1.2345	835	1.2345	58.0	1.669	
NT-X-LG4500-40-120	10.42	1.1901	482	1.1901	46.3	1.000	4000K CCT = 1.190
NT-X-LG4700-40-120	14.39	1.1901	805	1.1901	55.9	1.669	
NT-X-LG4500-50-120	10.42	1.3847	561	1.3847	53.8	1.000	5000K CCT = 1.385
NT-X-LG4700-50-120	14.39	1.3847	936	1.3847	65.1	1.669	