

Date: _____ Customer: _____

Project: _____

Type: _____ Qty: _____



MTR Square Bollard LED



Order Code: BSMFL - _____ - _____ - _____ - _____ - _____ - _____ - _____ - _____

<u>BSMFL</u>	Series	BSMFL MTR Square Bollard LED Flat Top						
	Height	2.5 2 1/2 feet	3 3 feet	3.5 3 1/2 feet	4 4 feet			
	Light Engine	1B30	2B30	3B30	4B30			
	CCT	27 2700K	30 3000K	35 3500K	40 4000K	for other CCTs please consult factory		
	Finish	WH White	BK Black	BZ Bronze	SV Silver	SP Specify Premium Color		
	Voltage	UNV 120-277V	120	208	240	277	347¹	480¹ ¹ Requires step down transformer
	Options	DM Dimming (0-10V)	HL50² Hi-Lo Switching	REC^{2,3} GFCI Receptacle w/ weather-proof cover	REC2^{2,3} GFCI Receptacle w/ padlockable in-use cover		² 120V, 240V, and 277V only ³ Only available in 3.5 and 4 ft. heights, 120V only	

Product Modifications

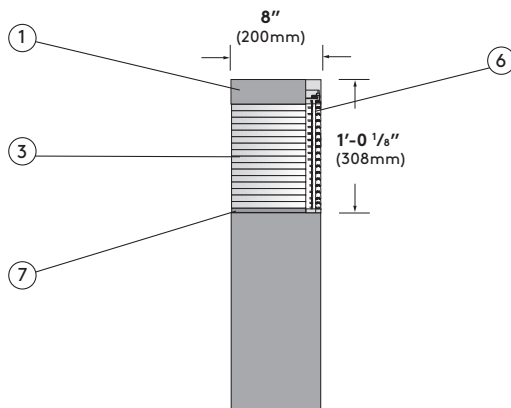
Please list modification requirements for review by factory:

Approvals



Date: _____

BSMFL



Net Weight (4' = 40lbs)

Specifications

1. Luminaire Cover - Die-cast, aluminum cover, with smooth crisp form to reflect and complement the bollard design. Removes by loosening four stainless steel screws for easy access to LED chamber.

2. Gasketing - (not shown) Continuous gaskets provide weather-proofing, dust, and insect control at shielding base, fixture cover and between MTR rings.

3. Shielding - Consists of 8" (200mm) square injection-molded acrylic multi-prisms for total reflection (MTR). MTR rings have a wall thickness of .591" and are patterned after the light-bending characteristics of a prism.

4. LED Light Engine - (not shown) High efficiency LED light engine equipped with brand-name LEDs, available in 2700K, 3000K, 3500K, or 4000K CCT tolerance within a 3-step MacAdam ellipse.

5. Drivers - (not shown) Electronic universal 120-277V, PFC > 0.95

6. Diffuser - (not shown) LED optimized UV resistant material ensures evenly lit MTR rings at high transmittance.

7. Bollard Fitter - Die-cast aluminum fitter, with built-in gasketing ridges, for smooth transition to column.

8. Surge Protector - (not shown) Designed to protect luminaire from electrical surge (10kA).

9. Hi-Lo Switching Option - (not shown) Please see p. 3 for details.

Exterior Luminaire Finish - Selux utilizes a high quality Polyester Powder Coating. All Selux luminaires and poles are finished in our Tiger Drylac certified facility and undergo a five stage intensive pretreatment process where product is thoroughly cleaned, phosphated and sealed. Selux powder coated products provide excellent salt and humidity resistance as well as ultraviolet resistance for color retention. All products are tested in accordance with test specifications for coatings from ASTM and PCI.

Standard exterior colors are White (WH), Black (BK), Bronze (BZ), and Silver (SV). Selux premium colors (SP) are available, please specify from your Selux color selection guide.

5 Year Limited LED Luminaire Warranty - Selux offers a 5 Year Limited Warranty to the original purchaser that the MTR Bollard LED luminaire shall be free from defects in material and workmanship for up to five (5) years from date of shipment. This limited warranty covers the LED driver and LED array when installed and operated according to Selux instructions. For details, see "Selux Terms and Condition of Sale."

Listings and Ratings: Tested to INRTL Wet Location and IESNA LM-79-08 standards. LED tested to LM-80 standards. Luminaire and LED tested at 25°C (77°F) ambient temperature.

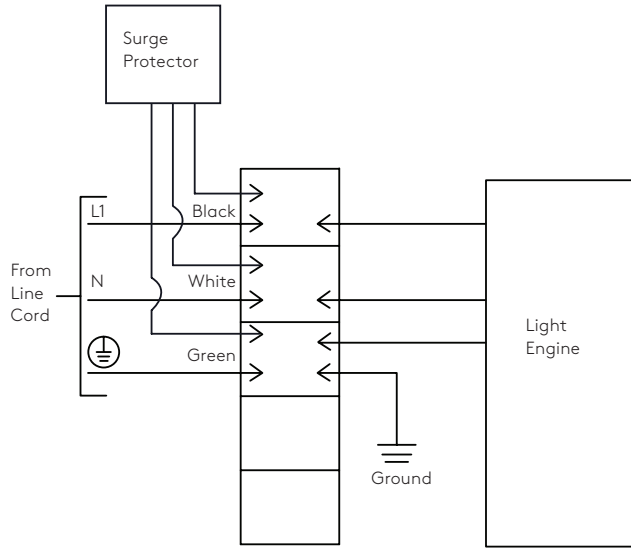
NRTL Listed for Wet Location (i.e. UL, CSA)

Visit selux.us for our LED End of Life recycling policy.

Wiring

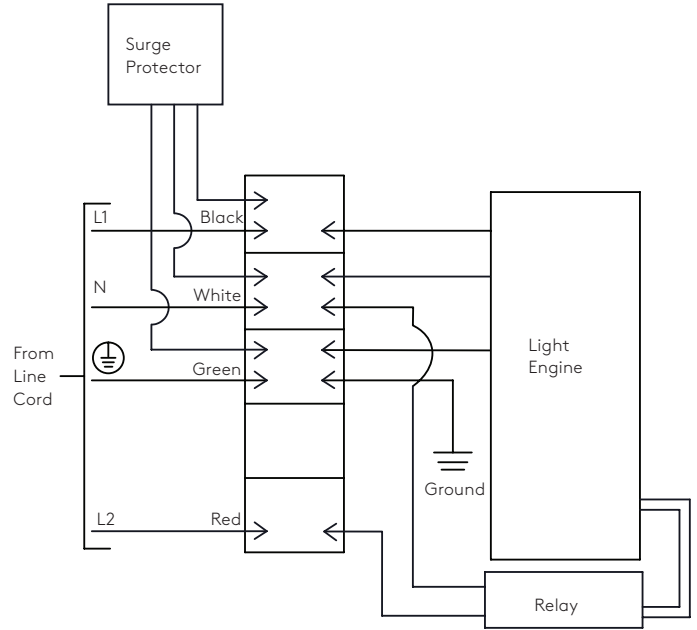
Standard Single Wiring

For 120-277V



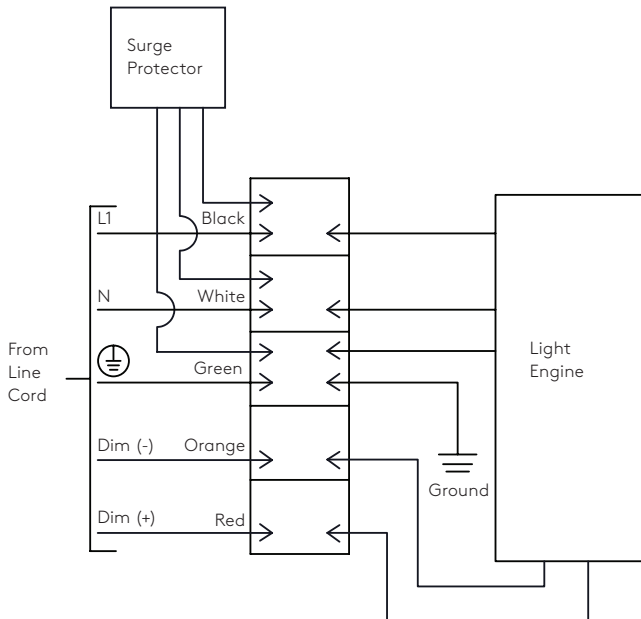
Hi-Lo Switching Option (HL) Wiring

For 120-277V. When red is energized, light output will be at "Lo" level. Standard HL level: HL50 = low output, 50%. For other combinations, consult factory.



0-10V Dimming Option (DM) Wiring

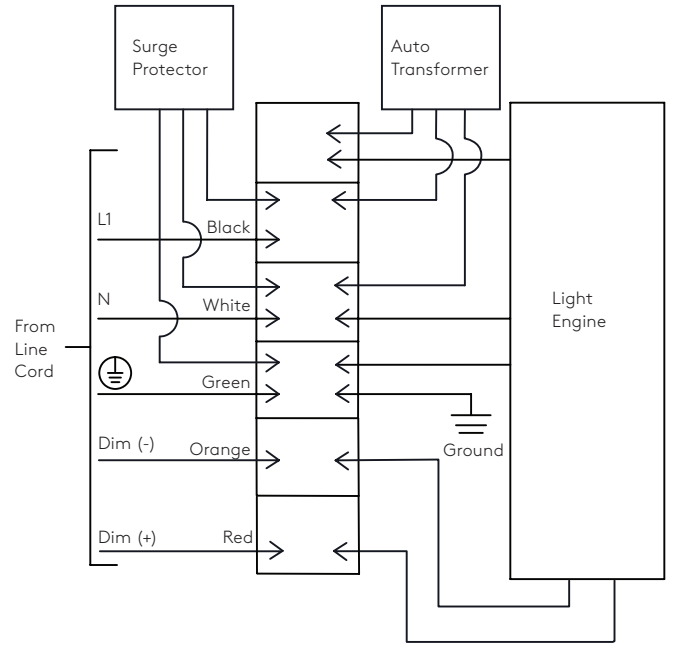
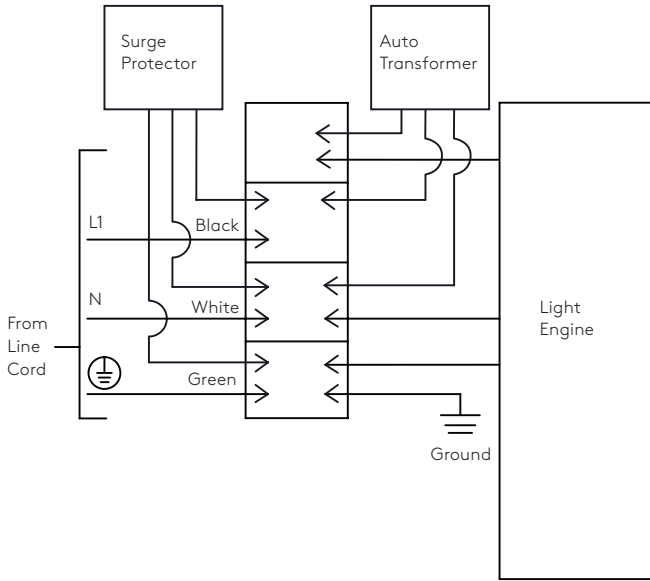
For 120-277V



Wiring

347/480V (Standard)

347/480V with 0-10V Dimming Option

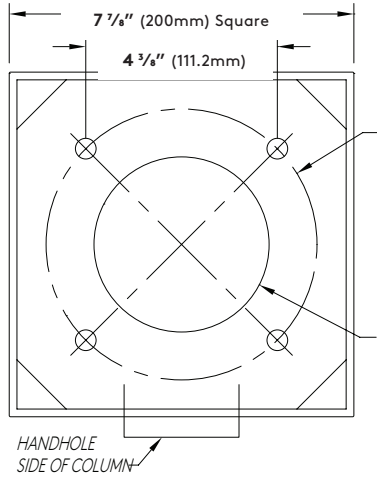


Mounting

Anchorage Information

NOTES:

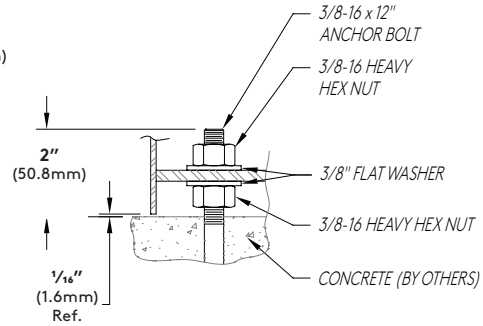
1. BOLLARD ORIENTATION IS CRITICAL, ROD AND HAND HOLE LOCATIONS ARE CRITICAL.
2. LOCATE SINGLE BOLT AT HAND HOLE LOCATION.
3. ADEQUATE DRAINAGE MUST BE PROVIDED IN CONCRETE FOUNDATION.
4. CONDUIT SHOULD BE STUBBED UP ABOVE THE CONCRETE FOOTING.



Ø 6 3/16" (Ø 157.2mm)
Bolt Circle

Ø 4" (Ø 101.6mm)
Conduit Opening

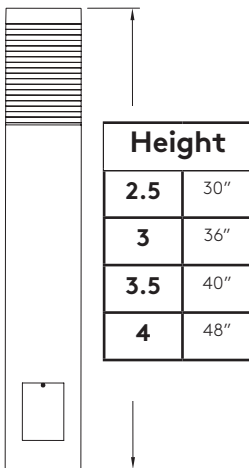
HANDHOLE
SIDE OF COLUMN



BOLT CIRCLE DETAIL (NOT TO SCALE)

USE CAUTION WHEN SETTING ANCHOR BOLTS. BOLTS MUST BE VERTICALLY STRAIGHT AND CENTERED ON DIMENSIONS SHOWN.

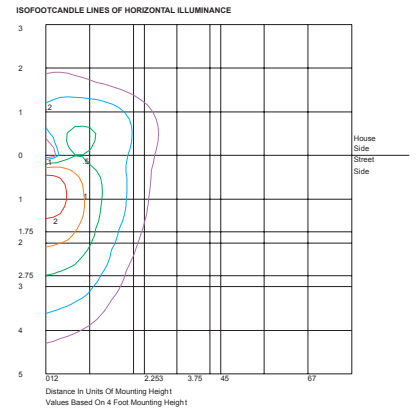
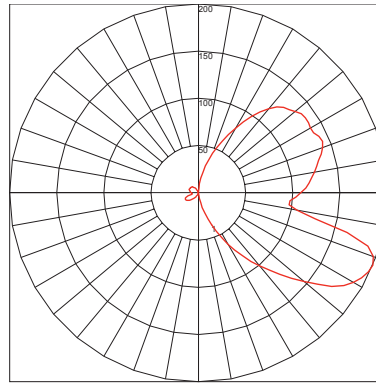
Profiles



Photometry

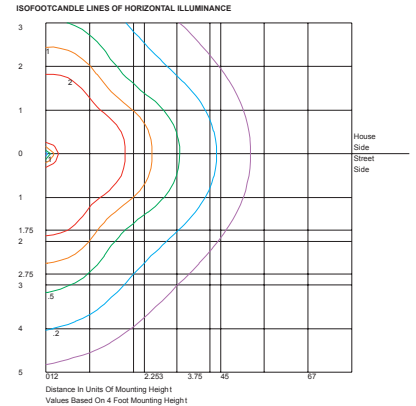
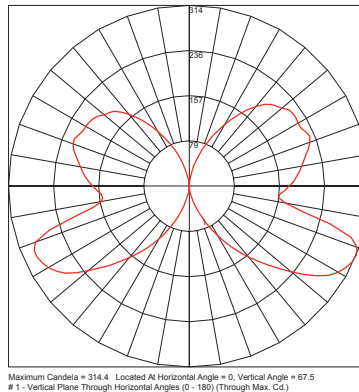
1B30 / 7W LED / 3000K CCT

Catalog #: BSMFL-X-1B30-30-XX-UNV
 Delivered Lumens: 505
 Input Watts: 6.9905W
 Efficacy: 72 lm/W
 CCT: 2947K
 CRI (Ra): 94.9
 Maximum candela of 200 at 67.5° from vertical.
 IES classification: Type IV
 Mounting Height: 4' (1.22m)
 BUG Rating: B0-U3-G1
 Power Factor: 0.916
 Total Harmonic Distortion: 15.4%

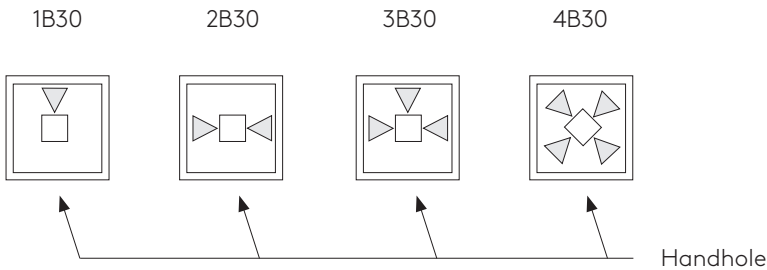


4B30 / 26W LED / 3000K CCT

Catalog #: BSMFL-X-4B30-30-XX-UNV
 Delivered Lumens: 2207
 Input Watts: 26.5947W
 Efficacy: 83 lm/W
 CCT: 2947K
 CRI (Ra): 94.9
 Maximum candela of 314 at 67.5° from vertical.
 IES classification: Type VS
 Mounting Height: 4' (1.22m)
 BUG Rating: B1-U4-G1
 Power Factor: 0.980
 Total Harmonic Distortion: 10.4%



LED Light Engine Distribution Guide



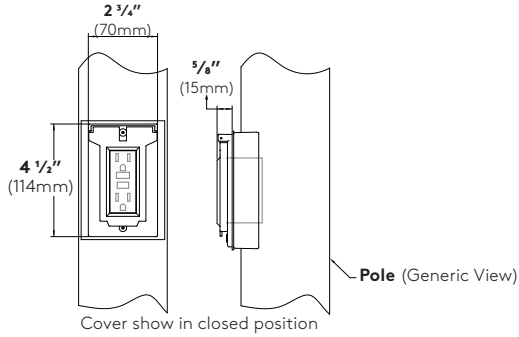
Energy Consumption				
Light Engine	1B30	2B30	3B30	4B30
Power Input	7W	13W	19W	27W

MTR Square LED Bollard Photometry Multiplier Table		
CCT Multiplier		
4000K	1.000	
3500K	1.010	
3000K	0.942	
2700K	0.884	
Light Engine Multiplier		
Light Engine	Lumens	Wattages
1B30	0.243	0.263
2B30	0.459	0.479
3B30	0.680	0.711
4B30	1.000	1.000

Optional Accessories

GFCI Receptacle (REC)

120V 15A GFCI duplex receptacle with weather-proof, self-closing cover; located 18" (457mm) from base of pole, inline with handhole. Receptacle is intended only for portable tools or other portable equipment to be connected to outlet only when attended by operating personnel.



GFCI Receptacle (REC2)

120V 15A GFCI duplex receptacle with weather-proof, self-closing, padlockable in-use cover; located 18" (457mm) from base of pole, inline with handhole. Receptacle is intended only for portable tools or other portable equipment to be connected to outlet only when attended by operating personnel.

