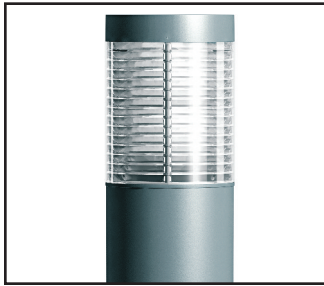


MTR Bollard LED

selux

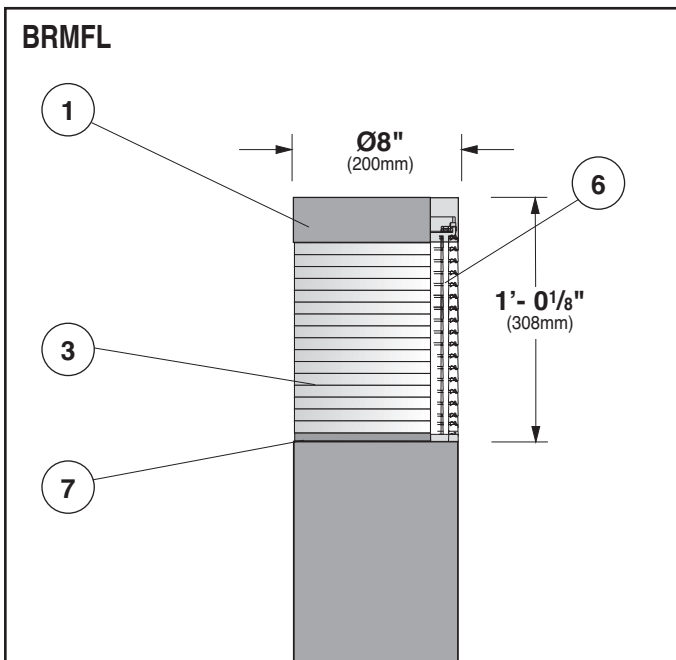


Project: _____

Type: _____ **Qty:** _____

_____ - _____ - _____ - _____ - _____ - _____ - _____
 Series Height Light Engine CCT Finish Voltage Options

Series	Height	Light Engine	CCT	Finish	Voltage	Options
BRMFL MTR LED Bollard Round Flat Top	2.5 2 1/2 feet	1B30	27 2700 K	WH White	UNV ⁴	DM Dimming (0-10V)
	3 3 feet	2B30	30 3000 K	BK Black	120	HL50 ² Hi-Lo Switching
	3.5 3 1/2 feet	3B30	35 3500 K	BZ Bronze	208	REC ³ GFCI Receptacle w/ weather-proof cover
	4 4 feet	4B30	40 4000 K	SV Silver SP Specify Premium Color	240 277 347 ^{1,5} 480 ^{1,5}	REC ² GFCI Receptacle w/ padlockable in-use cover
<small>¹ Requires step down transformer ² 120V, 240V, and 277V only ³ Only available in 3.5 and 4 ft. heights, 120V only ⁴ 120V-277V ⁵ Not available with HL50</small>						



1. Luminaire Cover - Die-cast, aluminum cover, with smooth crisp form to reflect and complement the column design. Thick-walled, aluminum cover is painted white on the interior for maximum luminaire efficiency. Removes by loosening three vandal-resistant, stainless steel screws for easy access to lamp chamber.

2. Gasketing - (not shown) Continuous gaskets provide weather-proofing, dust, and insect control at shielding base, fixture cover and between MTR rings.

3. Shielding - Consists of 8" (200mm) diameter injection-molded acrylic multi-prisms for total reflection (MTR). MTR rings have a wall thickness of .591" and are pat-

terned after the light-bending characteristics of a prism.

4. LED Light Engine - (not shown) High efficiency LED light engine equipped with brand-name LEDs, available in 2700K, 3000K, 3500K, or 4000K CCT tolerance within a 3-step MacAdams ellipse.

5. Drivers - (not shown) Electronic universal 120-277V, PFC > 0.95

6. Diffuser - LED optimized UV resistant material ensures evenly lit MTR rings at high transmittance.

7. Column Fitter - Die-cast aluminum fitter, with built-in gasketing ridges, for smooth transition to column.

8. Surge Protector - (not shown) Designed to protect luminaire from electrical surge (10kA).

9. Hi-Lo Switching - (not shown) For details, please see page 4.

Exterior Luminaire Finish - Selux utilizes a high quality Polyester Powder Coating. All Selux luminaires and poles are finished in our Tiger Drylac certified facility and undergo a five stage intensive pretreatment process where product is thoroughly cleaned, phosphated and sealed. Selux powder coated products provide excellent salt and humidity

resistance as well as ultraviolet resistance for color retention. All products are tested in accordance with test specifications for coatings from ASTM and PCI.

Standard exterior colors are White (WH), Black (BK), Bronze (BZ), and Silver (SV). Selux premium colors (SP) are available, please specify from your Selux color selection guide.

5 Year Limited LED Luminaire Warranty - Selux offers a 5 Year Limited Warranty to the original purchaser that the MTR Bollard LED luminaire shall be free from defects in material and workmanship for up to five (5) years from date of shipment. This limited warranty covers the LED driver and LED array when installed and operated according to Selux instructions. For MTR LED Bollard Luminaire suitable for ambient temperature of 45°C (113°F). For details, see "Selux Terms and Condition of Sale."

Listings and Ratings: Tested to INRTL Wet Location and IESNA LM-79-08 standards. LED tested to LM-80 standards. Luminaire and LED tested at 25°C (77°F) ambient temperature.

MTR Bollard LED

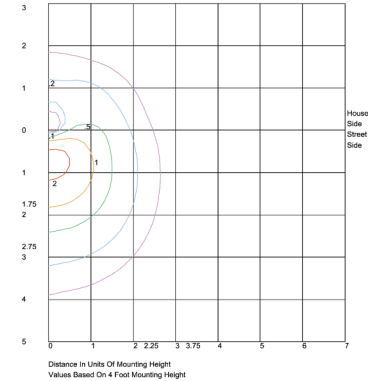
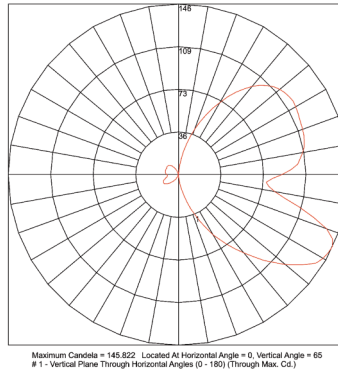


Photometry

BRMFL / 4 FT / 1B30 / 3000K CCT

Catalog # BRMFL-4-1B30-30-XX
Report # LM-63-2002

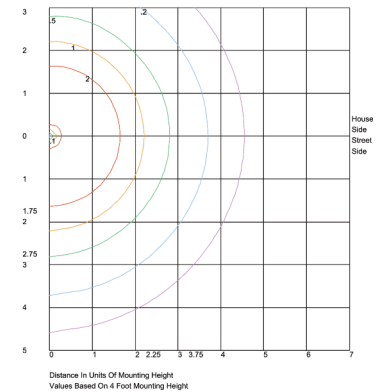
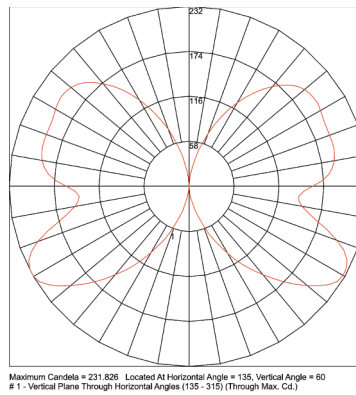
- Ideal for applications requiring linear distributions.
- Maximum candela of 145 at 65° from vertical.
- IES classification - B0-U3-G1
- Mounting Height = 4' (1.22 M)
- 498 Delivered Lumens
- 71 Lumens per Watt



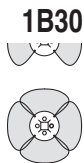
BRMFL / 4 FT / 4B30 / 3000K CCT

Catalog # BRMFL-4-4B30-30-XX
Report # LM-63-2002

- Ideal for applications requiring linear distributions.
- Maximum candela of 246 at 57.5° from vertical.
- IES classification - B1-U4-G1
- Mounting Height = 4' (1.22 M)
- 2082 Delivered Lumens
- 78 Lumens per Watt



LED Lamping Distribution Guide



2B30

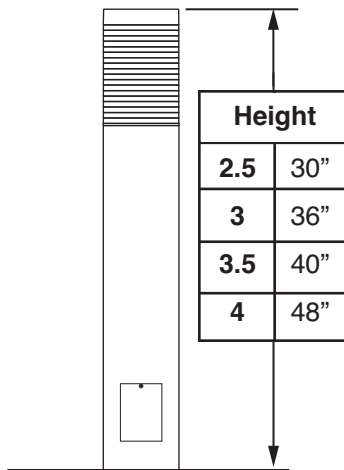
3B30

4B30



MTR Round LED Bollard Photometry Multiplier Table		
CCT Multiplier		
4000K	1.000	
3500K	1.010	
3000K	0.942	
2700K	0.884	
Light Engine Multiplier		
Light Engine	Lumens	Wattages
1B30	0.239	0.262
2B30	0.452	0.478
3B30	0.691	0.711
4B30	1.000	1.000

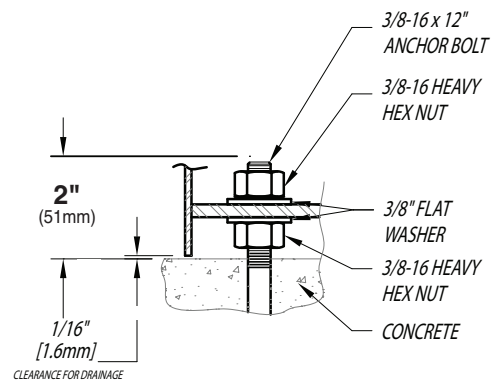
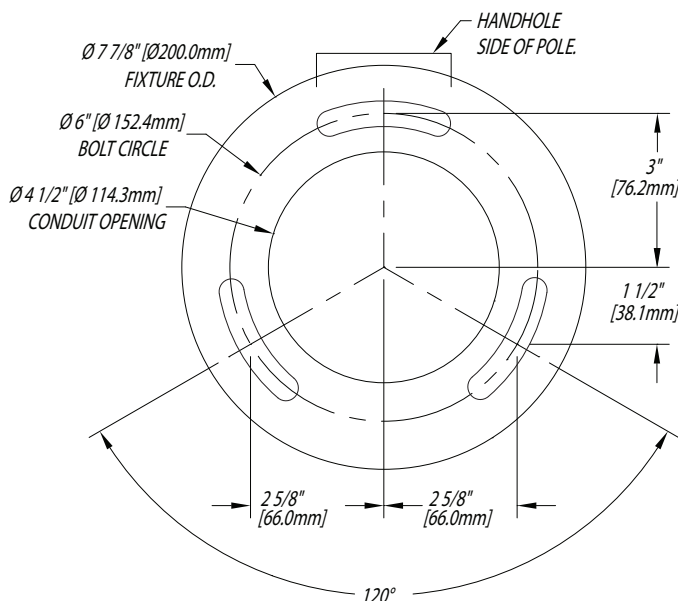
Profile



Anchorage Information

NOTES:

1. BOLLARD ORIENTATION IS CRITICAL, ROD AND HAND HOLE LOCATIONS ARE CRITICAL.
2. LOCATE SINGLE BOLT AT HAND HOLE LOCATION.
3. ADEQUATE DRAINAGE MUST BE PROVIDED IN CONCRETE FOUNDATION.
4. CONDUIT SHOULD BE STUBBED UP ABOVE THE CONCRETE FOOTING.



BOLT CIRCLE DETAIL (NOT TO SCALE)

USE CAUTION WHEN SETTING ANCHOR BOLTS. BOLTS MUST BE

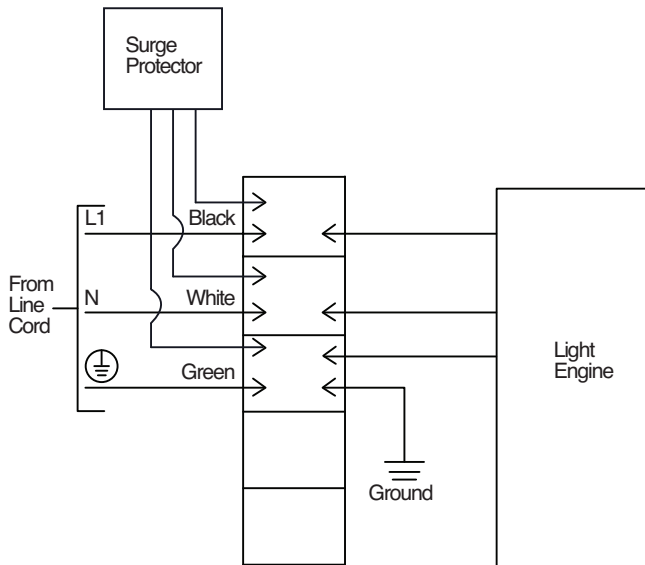
MTR Bollard LED



Wiring Diagrams

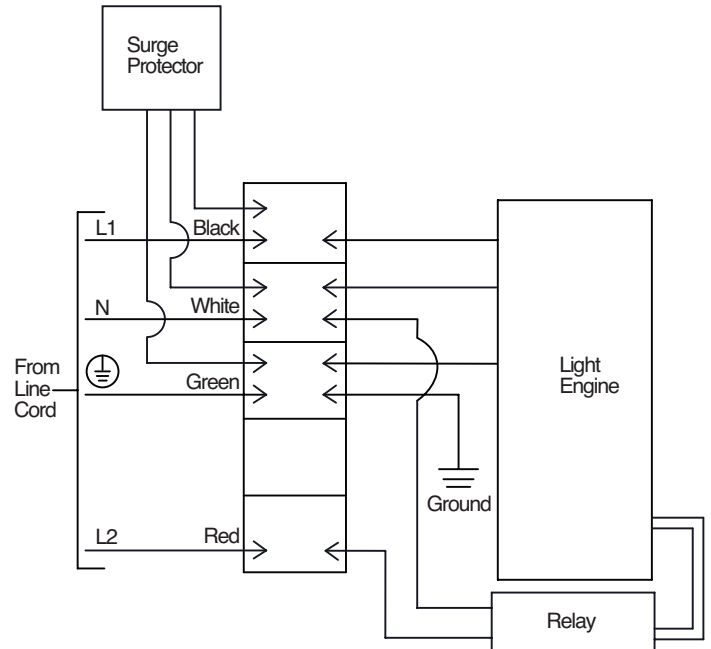
Standard Single Wiring

For 120-277V



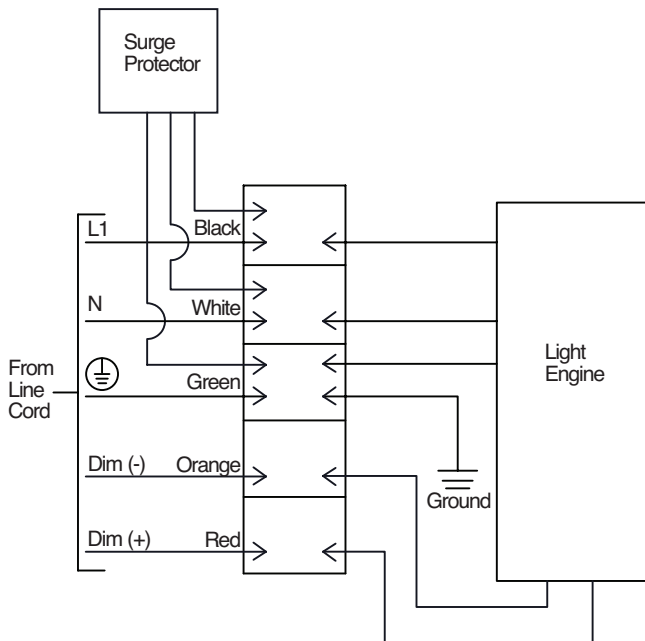
Hi-Lo Switching Option (HL) Wiring

For 120-277V. When red is energized, light output will be at "Lo" level. Standard HL level: HL50 = low output, 50%. For other combinations, consult factory.



0-10V Dimming Option (DM) Wiring

For 120-277V

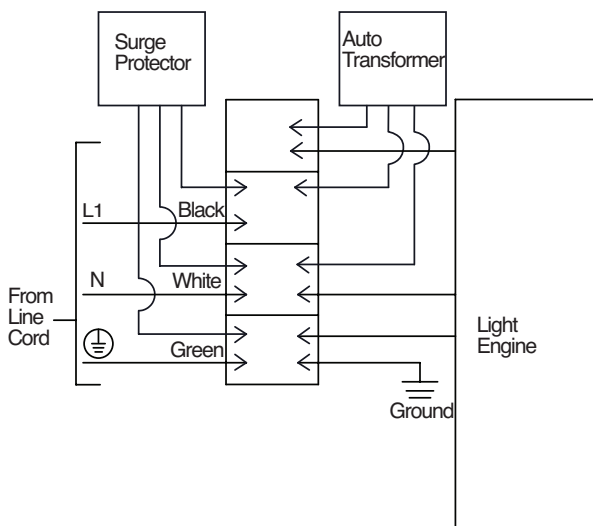


MTR Bollard LED

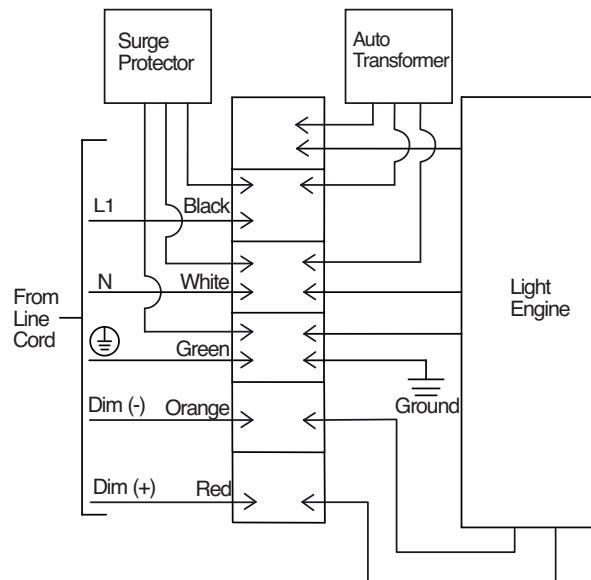


Wiring Diagrams

347/480V (Standard)

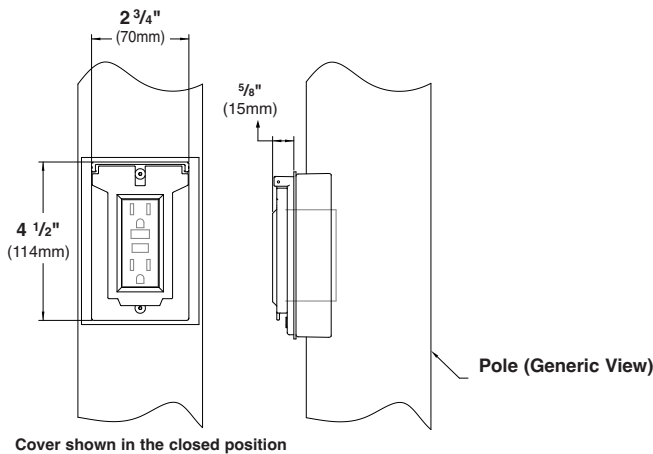


347/480V with 0-10V Dimming Option



Optional Accessories

GFCI Receptacle (REC) - 120V 15A GFCI duplex receptacle with weather-proof, self-closing cover; located 18" (457mm) from base of pole, inline with handhole. Receptacle is intended only for portable tools or other portable equipment to be connected to outlet only when attended by operating personnel. For use with 120V applications only. For other fixture voltages, please consult factory for wire segregation requirements.



GFCI Receptacle (REC2) - 120V 15A GFCI duplex receptacle with weather-proof, self-closing, padlockable in-use cover; located 18" (457mm) from base of pole, inline with handhole. Receptacle is intended only for portable tools or other portable equipment to be connected to outlet only when attended by operating personnel. For use with 120V applications only. For other fixture voltages, please consult factory for wire segregation requirements.

