

Date: \_\_\_\_\_ Customer: \_\_\_\_\_

Project: \_\_\_\_\_

Type: \_\_\_\_\_ Qty: \_\_\_\_\_



## Modular MTR Column LED



Order Code: \_\_\_\_\_ - \_\_\_\_\_ - \_\_\_\_\_ - \_\_\_\_\_ - \_\_\_\_\_ - \_\_\_\_\_ - \_\_\_\_\_ - \_\_\_\_\_

<b>MMTR</b>	<b>Series</b>	<b>MMTR</b> Modular MTR Column LED					
	<b>Nominal Ht. of Lit Section</b>	<b>2</b> 2'	<b>3</b> 3'	<b>4</b> 4'			
	<b>Light Engine</b>	<b>1B30</b>	<b>2B30</b>	<b>3B30</b>	<b>4B30</b>	See p. 9 for details	
	<b>CCT</b>	<b>27</b> 2700K	<b>30</b> 3000K	<b>35</b> 3500K	<b>40</b> 4000K	For other CCT please consult factory	
	<b>Finish</b>	<b>WH</b> White	<b>BK</b> Black	<b>BL</b> Semi-Matte Black	<b>BZ</b> Bronze	<b>SV</b> Silver	<b>SP</b> Specify Premium Color
	<b>Voltage</b>	<b>120</b> 120V	<b>208</b> 208V	<b>240</b> 240V	<b>277</b> 277V	<b>347<sup>1,3</sup></b> 347V	<b>480<sup>1,3</sup></b> 480V <sup>1</sup> Requires step down transformer <sup>3</sup> Not available with HL50
	<b>Options</b>	<b>DM</b> Dimming (0-10V)	<b>HL50<sup>2</sup></b> Hi-Lo Switching 50%		<sup>2</sup> 120V, 240V, and 277V only		

### Product Modifications

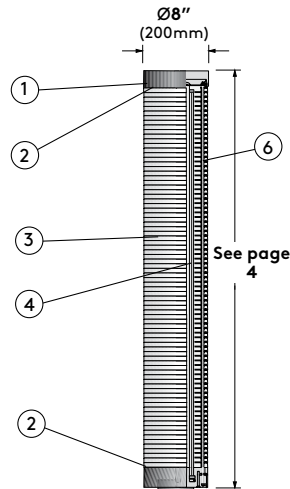
Please list modification requirements for review by factory:

### Approvals



Date: \_\_\_\_\_

**MMTR**



**Specifications**

**1. Luminaire Cover** - Die cast aluminum cover, with smooth crisp form to reflect and complement the column design. Removes by loosening three stainless steel set screws for easy access to lamp chamber.

**2. Gasketing** - Continuous gaskets provide weather-proofing, dust, and insect control at base of column, fixture cover, and between MTR rings.

**3. Shielding** - Consists of 8" (200mm) diameter injection-molded acrylic multi-prisms for total reflection (MTR). MTR rings have a wall thickness of .591" and are designed after the light-bending characteristics of a prism.

**4. LED Light Engine** - High efficiency LED light engine equipped with brand-name LEDs, available in 2700K, 3000K, 3500K, or 4000K CCT / Tolerance within a 3-step MacAdams ellipse.

**5. Drivers** - (not shown) Electronic universal 120-277V, PFC > 0.95.

**6. Diffuser** - LED optimized UV resistant material ensures evenly lit MTR rings for high transmittance.

**7. Column Fitter** - (not shown) Die cast aluminum fitter, with built-in gasketing ridges, for smooth transition to column.

**8. Surge Protector** - (not shown) Designed to protect luminaire from electrical surge (10kA).

**9. Hi-Lo Switching** - (not shown) For details, please see page 6.

**10. Thermal Foldback** - (not shown) Integrated Thermal Foldback circuit will reduce the drive current if the ambient temperature exceeds the maximum rated ambient temperature. This ensures maximum light output in various operating conditions, while assuring long-term lumen maintenance.

**Exterior Luminaire Finish** - Selux utilizes a high quality Polyester Powder Coating. All Selux luminaires and poles are finished in our Tiger Drylac certified facility and undergo a five stage intensive pretreatment process where product is thoroughly cleaned, phosphated and sealed. Selux powder coated products provide excellent salt and humidity resistance as well as ultraviolet resistance for color retention. All products are tested in accordance with test specifications for coatings from ASTM and PCI.

Standard exterior colors are White (WH), Black (BK), Semi-Matte Black (BL), Bronze (BZ), and Silver (SV). Selux premium colors (SP) are available, please specify from your Selux color selection guide.

**5 Year Limited LED Luminaire Warranty** - Selux offers a 5 Year Limited Warranty to the original purchaser that the MTR Column LED luminaire shall be free from defects in material and workmanship for up to five (5) years from date of shipment. This limited warranty covers the LED driver and LED array when installed and operated according to Selux instructions. For details, see "Selux Terms and Condition of Sale."

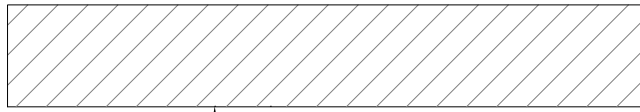
**Listings and Ratings:** Tested to NRTL Wet Location and IESNA LM-79-08 standards. LED tested to LM-80 standards. Luminaire and LED tested at 25°C (77°F) ambient temperature.

**NRTL Listed (i.e. UL, CSA)**

**Visit selux.us for our LED End of Life recycling policy.**

Ambient Temperature Chart (standard)	
Minimum	Maximum
-35° C (-31° F)	45° C (113° F)

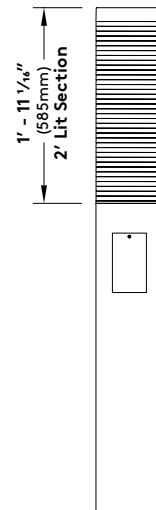
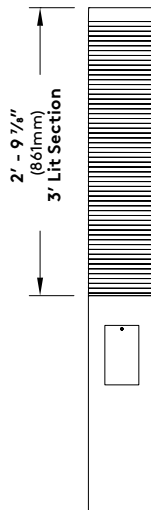
Mounting - MMTR



\*Minimum clearance required  
(for maintenance or future upgrades)

4' head = 60" (1524mm)  
3' head = 48" (1219mm)  
2' head = 36" (914mm)

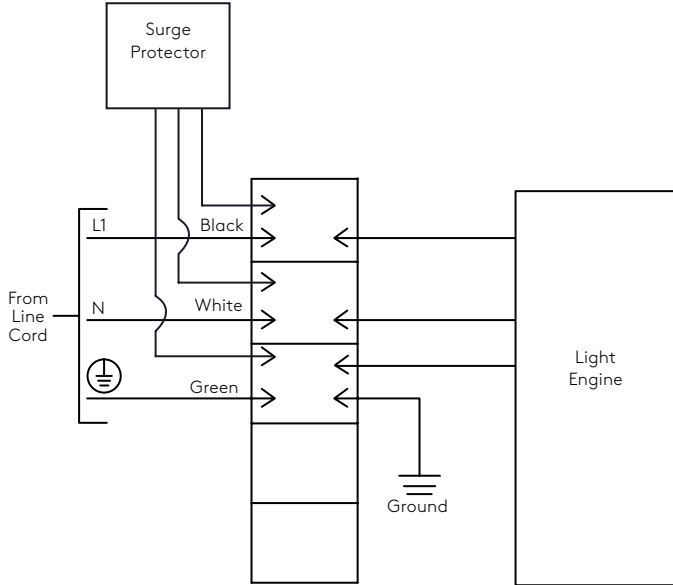
\*Consult factory for alternative recommendations  
if access above fixture is not available



**Wiring**

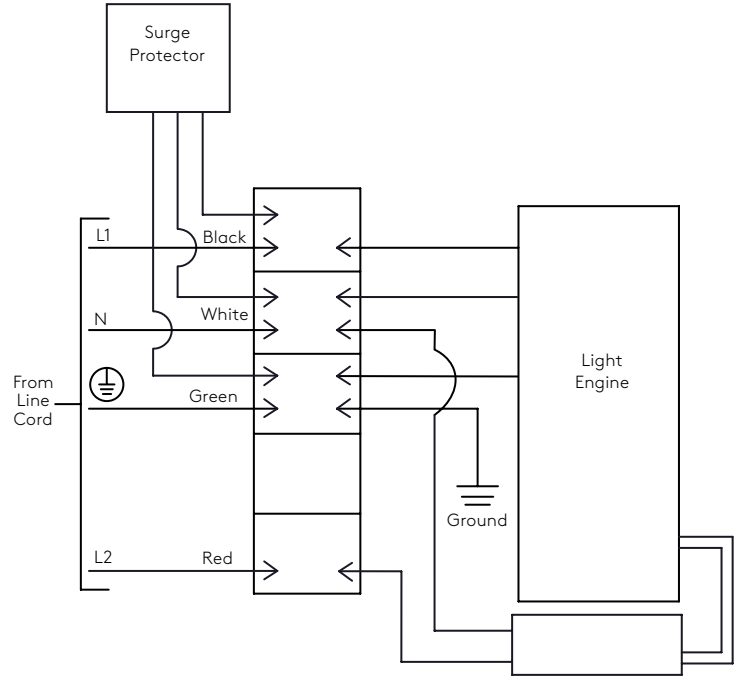
**Standard Single Wiring**

For 120-277V



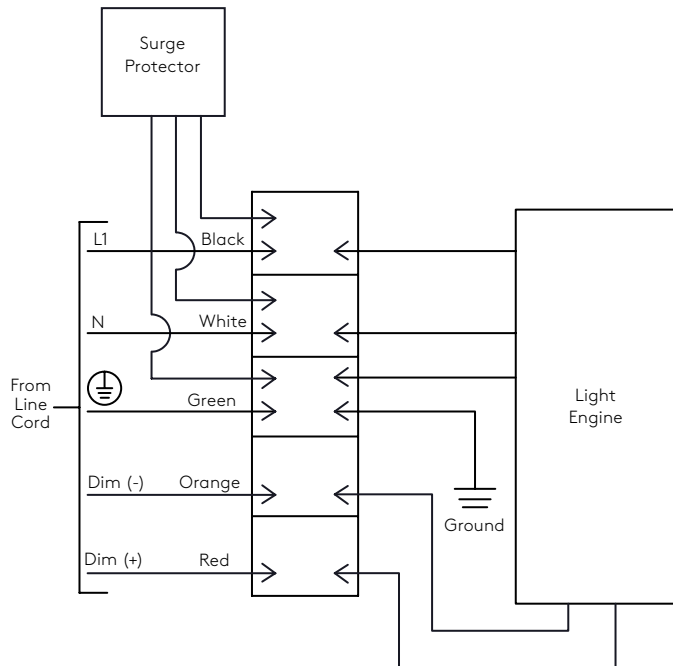
**Hi-Lo Switching Option (HL) Wiring**

For 120-277V. When red is energized, light output will be at "Lo" level. Standard HL level: HL50 = low output, 50%. For other "Lo" levels, consult factory.



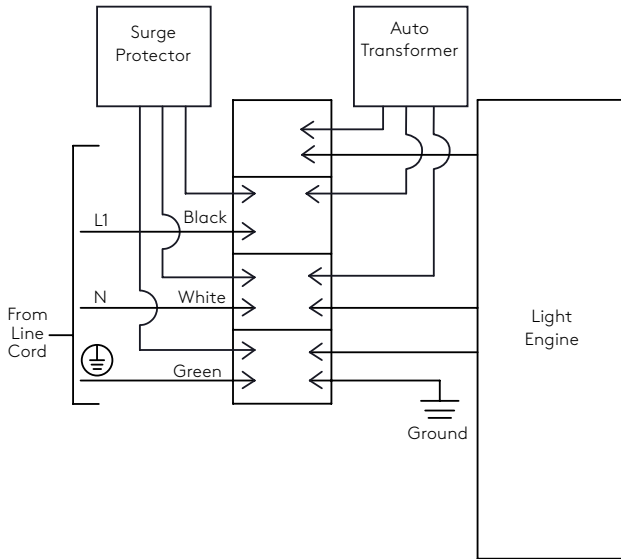
**0-10V Dimming Option (DM) Wiring**

For 120-277V

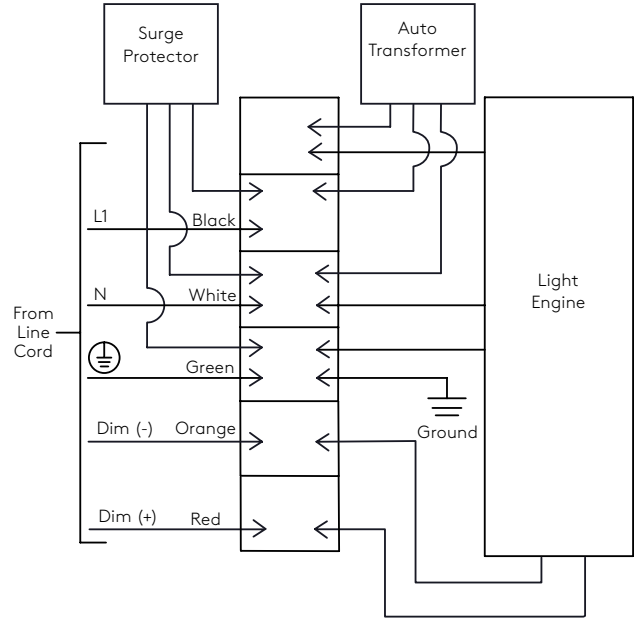


**Wiring**

**347/ 480V (Standard)**



**347/480V with 0-10V Dimming Option**



Energy Consumption\*

LED Information	4000K CCT											
	1B30			2B30			3B30			4B30		
Lit Section Height	2'	3'	4'	2'	3'	4'	2'	3'	4'	2'	3'	4'
Delivered Lumens (lm)	1187	1781	2374	2275	3413	4551	3364	5064	6728	4452	6678	8904
Wattage (W)	17	25	34	32	48	64	46	69	93	60	90	120
Efficacy (lm/W)	71	71	71	71	71	71	73	73	73	74	74	74

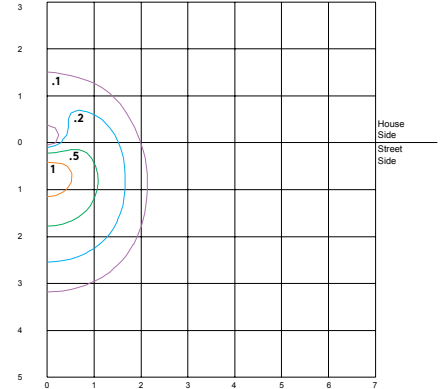
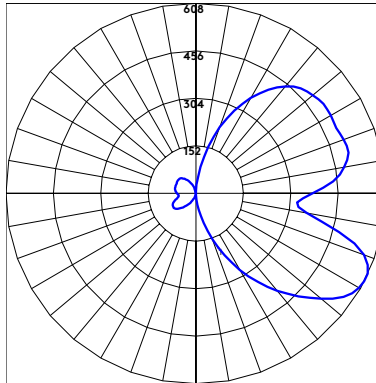
Conversion Chart (Values based on 4000K)	
CCT	Multiply
2700K	0.94
3000K	0.95
3500K	0.98
4000K	1.00

\*data based on 350mA LED driver current.

Photometry

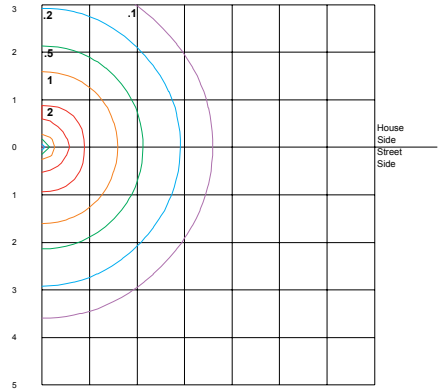
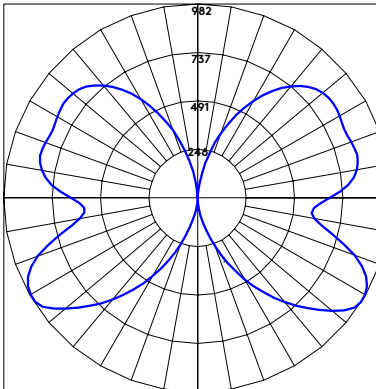
MMTR / 1B30 / 3000K CCT

Catalog #: MMTR-12-4-1B30-30-120  
 Delivered Lumens: 2594  
 Input Watts: 27W  
 Efficacy: 71 lm/W  
 CRI: 95  
 Maximum candela of 608 at 62.5° from vertical  
 IES classification: Type IV  
 Mounting Height = 12' (3.66 m)  
 B0-U4-G2  
 Power Factor: 1.0  
 Total Harmonic Distortion: 8.69%

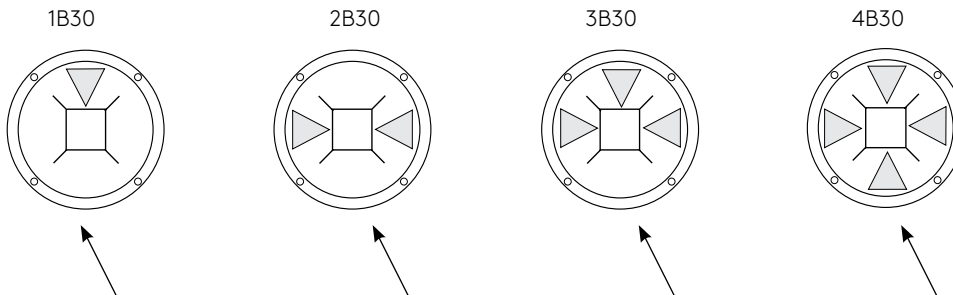


MMTR / 4B30 / 4000K CCT

Catalog #: MMTR-12-4-4B30-40-120  
 Delivered Lumens: 8904  
 Input Watts: 120W  
 Efficacy: 74 lm/W  
 CRI: 84  
 Maximum candela of 982 at 57° from vertical  
 IES classification: Type V  
 Mounting Height = 12' (3.66 m)  
 B2-U5-G3  
 Power Factor: 1.0  
 Total Harmonic Distortion: 8.69%



LED Light Engine Distribution Guide



**Handhole Side** - For MMTR, fixture head orientation in relation to Handhole is field adjustable. MMTR is NOT field adjustable.