

Date: _____ Customer: _____

Project: _____

Type: _____ Qty: _____



Modular Inula Column LED



Order Code: MICL - _____ - _____ - _____ - _____ - _____ - _____ - _____

<u> MICL </u>	Series	MICL Modular Inula Column LED							
<u> </u>	Light Engine 1	1Q 15.2w/1130lm	2Q90¹ 28.5w/2189lm	2Q180 28.5w/2189lm	3Q 42.0w/3267lm	4QS¹ 55.7w/4320lm	4QD 55.7w/4320lm	*Based on 5000K CCT ¹ All light engines must be 2Q90 or 4QS	
<u> </u>	Light Engine 2	1Q 15.2w/1130lm	2Q90¹ 28.5w/2189lm	2Q180 28.5w/2189lm	3Q 42.0w/3267lm	4QS¹ 55.7w/4320lm	4QD 55.7w/4320lm	XX None	*Based on 5000K CCT ¹ All light engines must be 2Q90 or 4QS
<u> </u>	Light Engine 3	1Q 15.2w/1130lm	2Q90¹ 28.5w/2189lm	2Q180 28.5w/2189lm	3Q 42.0w/3267lm	4QS¹ 55.7w/4320lm	4QD 55.7w/4320lm	XX None	*Based on 5000K CCT ¹ All light engines must be 2Q90 or 4QS
<u> </u>	CCT	AM² Amber	30² 3000K	40 4000K	50 5000K			² IDA Approved For other CCT please consult factory	
<u> </u>	Finish	WH White	BK Black	BL Semi-Matte Black	BZ Bronze	SV Silver	SP Specify Premium Color		
<u> </u>	Voltage	120 120V	208 208V	240 240V	277 277V	347^{3,11} 347V	480^{3,11} 480V	*50 or 60 Hertz ³ Requires step down transformer, 60 Hertz Only ¹¹ Not available with HL30	
<u> </u>	Options	DM Dimming (0-10V)	HL30^{4,5,6} Hi-Lo Switching Low Output 30%	LP Low Power 50%	EM^{4,7,8,9,10} Emergency Battery Pack 10 - 20C		⁴ 120-277V Only ⁵ Not at 208V ⁶ Not available with DM option ⁷ Powers Light Engine 1 only ⁸ Not available with 1Q ⁹ Not available with PC option ¹⁰ Not available with EM option		

Product Modifications

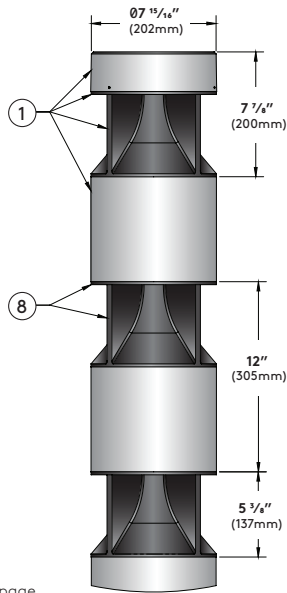
Please list modification requirements for review by factory:

Approvals



Date: _____

MICL-1-XX-DS

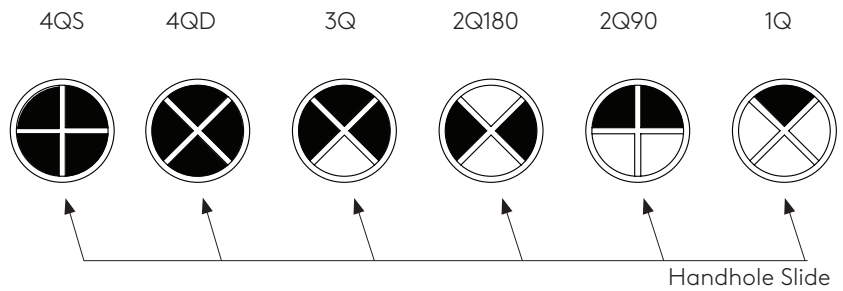


Net Weight (lbs.): See next page

Specifications

- 1. Fixture Housing** – Die-cast low-copper and low-iron aluminum fixture body provide corrosion resistance in marine environments.
- 2. Gasketing** – (not shown) Continuous gaskets provide weather-proofing, dust, and insect control between castings.
- 3. LED Light Engine** – (not shown) High efficiency LED light engine equipped with brand-name LEDs, available in 3000K, 4000K, 5000K CCT tolerance within a 3-step MacAdams ellipse. Also Amber LEDs for monochromatic light. Suitable for max ambient temperatures up to 45°C.
- 4. Optics** – (not shown) Proprietary vandal and UV resistant acrylic optic provides optimal light blending between quadrants.
- 5. Surge Protector** – (not shown) Designed to protect luminaire from electrical surge (10kA).
- 6. Hi-Lo Switching Option** – (not shown) Controlled switching between 100% and 30% power. See wiring diagrams for additional details.
- 7. Low Power Option** – (not shown) 50% Lumen output in same physical package.
- 8. Light Chamber** – Castings around Light Engine are painted with a matte black light absorbing powder coat. Meets International Dark-Sky Association (IDA) Requirements. BUG uplight rating “UO”.

LED Light Engine Distribution Guide



- 9. Low-Temperature Emergency Battery Pack Option** – (not shown) Provide 90 minutes of constant-power egress lighting when external power is lost. -20°C to +55°C ambient temperature operation. Light Engine 1 only is powered. Powers single level 2Q90, 2Q180, 3Q or 4Q configurations at (refer to lumen matrix for lumen output on page 4.)

Exterior Luminaire Finish - Selux utilizes a high quality Polyester Powder Coating. All Selux luminaires and poles are finished in our Tiger Drylac certified facility and undergo a five stage intensive pretreatment process where product is thoroughly cleaned, phosphated and sealed. Selux powder coated products provide excellent salt and humidity resistance as well as ultraviolet resistance for color retention. All products are tested in accordance with test specifications for coatings from ASTM and PCI.

Standard exterior colors are White (WH), Black (BK), Semi-Matte Black (BL), Bronze (BZ), and Silver (SV). Selux premium colors (SP) are available, please specify from your Selux color selection guide.

5 Year Limited LED Luminaire Warranty - Selux offers a 5 Year Limited Warranty to the original purchaser that the Inula Column LED luminaire shall be free from defects in material and workmanship for up to five (5) years from date of shipment. This limited warranty covers the LED driver and LED array when installed and operated according to Selux instructions. For details, see “Selux Terms and Condition of Sale.”

Listings and Ratings: Luminaire and LED tested to IESNA LM-79-08 standards. LED tested to LM-80 standards. Luminaire and LED tested at 25°C ambient temperature.

Luminaire tested to IK10 standard and IDA Approved.

Luminaire suitable for ambient temperatures between -40°C (-40°F) to 45°C (113°F).

LED Life: LED light engine provides a reported lumen maintenance of 93% at 36,000 hours. L70 calculated greater than 100,000 hours.

NRTL Listed (i.e. UL, CSA)

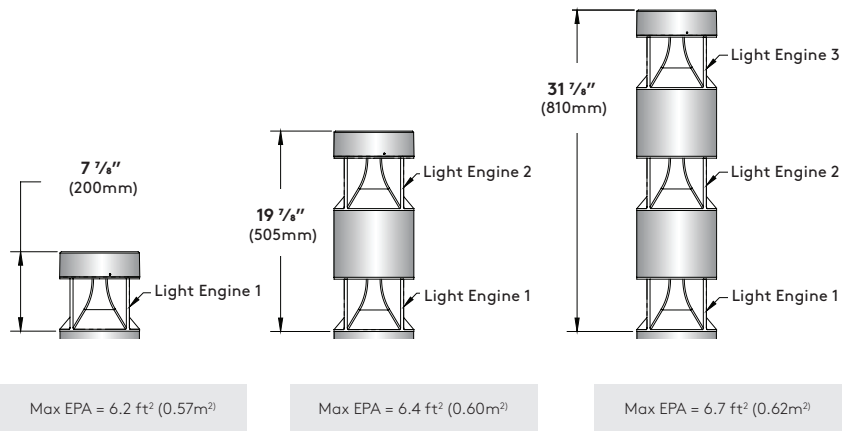
Visit selux.us for our LED End of Life recycling policy.

Mounting MICL-XX-4QD

1 Level
Single stack column

2 Level
Double stack column

3 Level
Triple stack column



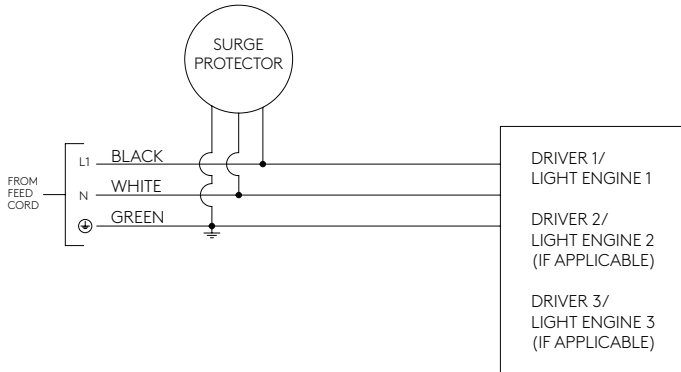
MICL-1-XX-DS

ELECTRICAL SPECIFICATIONS WHEN ALL LIGHT ENGINES ARE THE SAME @ 120-277VAC [@347-480VAC]																		
Light Engine			4QD/4QS				3Q				2Q180/2Q90				1Q			
LED CCT			3000K	4000K	5000K	AMBER	3000K	4000K	5000K	AMBER	3000K	4000K	5000K	AMBER	3000K	4000K	5000K	AMBER
1 LEVEL COLUMN	LOW POWER (LP) OPTION	Delivered Lumens (lm)	2021	2160			1529	1634			1024	1095			529	565		
		Wattage (W)	27.9 [30.4]			N/A	21.0 [22.9]			N/A	14.3 [15.6]			N/A	7.6 [8.3]			N/A
		Efficacy (lm/W)	72.6 [66.6]	77.6 [71.2]			72.8 [66.7]	77.8 [71.3]			71.8 [65.8]	76.8 [70.4]			69.5 [63.7]	74.3 [68.1]		
	STANDARD POWER	Delivered Lumens (lm)	4042	4320	446		3057	3267	337		2047	2189	226		1057	1130	117	
		Wattage (W)	55.7 [60.7]			20.7 [22.6]	42.0 [45.8]				28.5 [31.1]			10.6 [11.6]	15.2 [16.6]			5.6 [6.2]
		Efficacy (lm/W)	72.6 [66.6]	77.6 [71.2]	21.6 [19.7]		72.8 [66.7]	77.8 [71.3]	21.6 [19.8]		71.8 [65.8]	76.8 [70.4]	21.3 [19.5]		69.5 [63.7]	74.3 [68.1]	20.9 [18.9]	
2 LEVEL COLUMN	LOW POWER (LP) OPTION	Delivered Lumens (lm)	4083	4364			3088	3300			2068	2210			1068	1141		
		Wattage (W)	56.9 [62.0]			N/A	42.8 [46.7]			N/A	29.2 [31.8]			N/A	15.5 [16.9]			N/A
		Efficacy (lm/W)	71.8 [65.9]	76.7 [70.4]			72.1 [66.1]	77.1 [70.7]			70.8 [65.0]	75.7 [69.5]			68.9 [63.2]	73.6 [67.5]		
	STANDARD POWER	Delivered Lumens (lm)	8166	8728	901		6176	6601	681		4136	4420	456		2135	2282	236	
		Wattage (W)	113.8 [124.0]			42.3 [46.2]	85.7 [93.3]			31.9 [34.8]	58.3 [63.4]			21.7 [23.7]	31.0 [33.8]			11.5 [12.6]
		Efficacy (lm/W)	71.8 [65.9]	76.7 [70.4]	21.3 [19.5]		72.1 [66.1]	77.1 [70.7]	21.3 [19.6]		70.8 [65.0]	75.7 [69.5]	21.0 [19.2]		68.9 [63.2]	73.6 [67.5]	20.5 [18.7]	
3 LEVEL COLUMN	LOW POWER (LP) OPTION	Delivered Lumens (lm)	6130	6551			4636	4955			3104	3318			1603	1713		
		Wattage (W)	85.1 [92.7]			N/A	64.1 [69.8]			N/A	43.6 [47.5]			N/A	23.2 [25.3]			N/A
		Efficacy (lm/W)	72.1 [66.1]	77.0 [70.7]			72.3 [66.4]	77.3 [71.0]			71.2 [65.3]	76.1 [69.9]			69.1 [63.4]	73.8 [67.7]		
	STANDARD POWER	Delivered Lumens (lm)	12259	13102	1353		9272	9909	1023		6208	6635	685		3206	3426	354	
		Wattage (W)	170.1 [185.4]			63.2 [69.0]	128.0 [139.5]			47.5 [51.8]	87.2 [95.0]			32.4 [35.5]	46.3 [50.5]			17.1 [18.9]
		Efficacy (lm/W)	72.1 [66.1]	77.0 [70.7]	21.4 [19.6]		72.3 [66.4]	77.3 [71.0]	21.5 [19.8]		71.2 [65.3]	76.1 [69.9]	21.1 [19.3]		69.1 [63.4]	73.8 [67.7]	20.7 [18.7]	
EM Option	Delivered Lumens (lm)	2406	2571	N/A		1820	1945	N/A		1218	1303							

Wiring

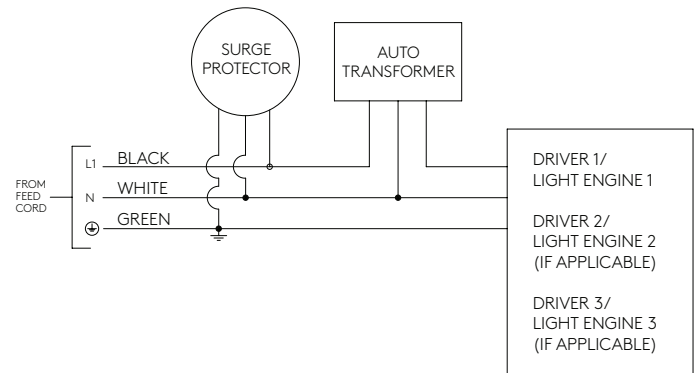
Standard Wiring for 120-277V

Standard Wiring for 120-277V with no additional options.



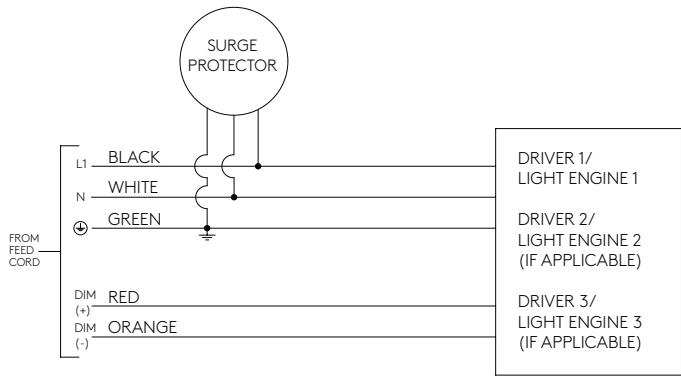
Standard Wiring for 347/480V

Standard Wiring for 347/480V with no additional options.



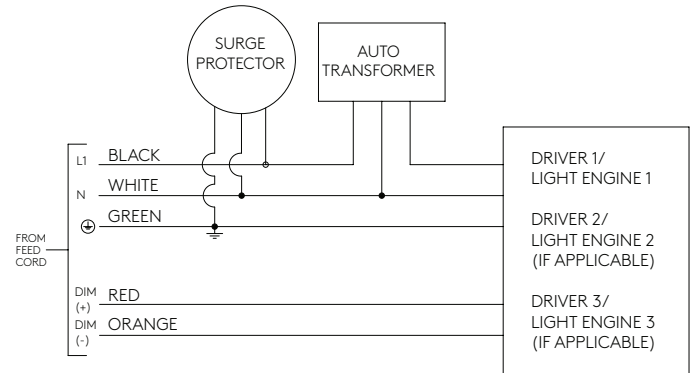
0-10V Dimming Option (DM) Wiring for 120-277V

100% light output at 10V, down to 1% light output at 0V.



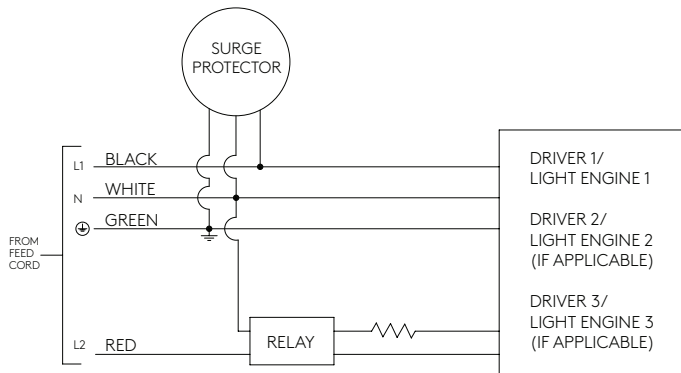
0-10V Dimming Option (DM) Wiring for 347/480V

100% light output at 10V, down to 1% light output at 0V.



Hi-Lo Switching Option (HL30) Wiring

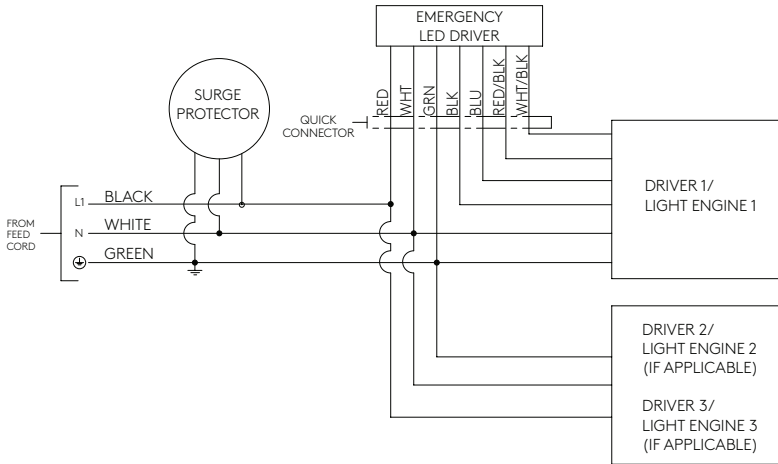
120/240/277V. When red energized, light output will be at "Lo" level.



Wiring

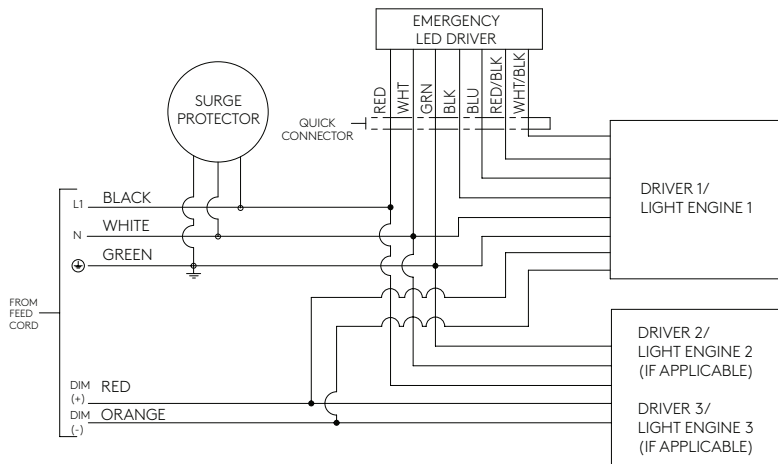
Standard Wiring for 120-277V with (EM) Option

Standard Wiring for 120-277V with (EM) option.



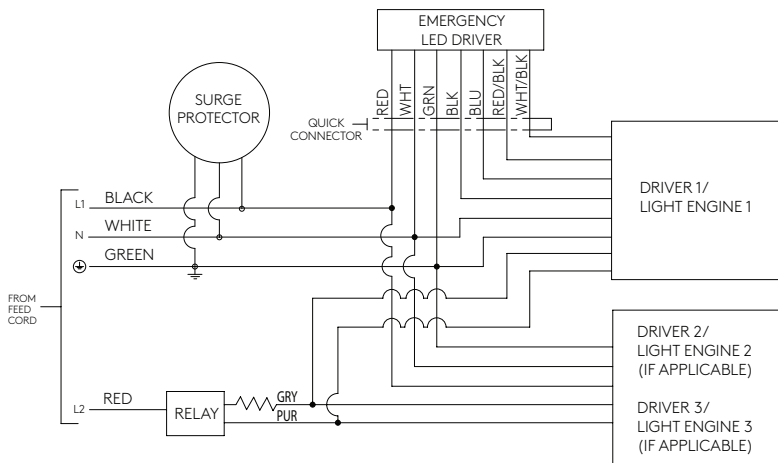
0-10V Dimming Option (DM) Wiring for 120-277V with (EM) Option

100% light output at 10V, down to 1% light output at 0V.



Hi-Lo Switching Option (HL30) Wiring with (EM) Option

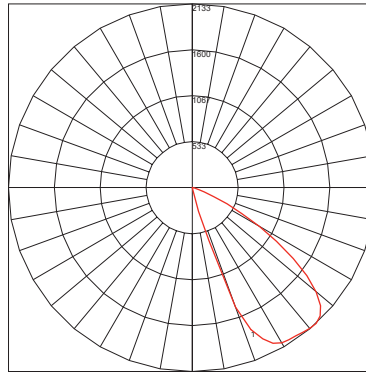
120/240/277V. When red energized, light output will be at "Lo" level.



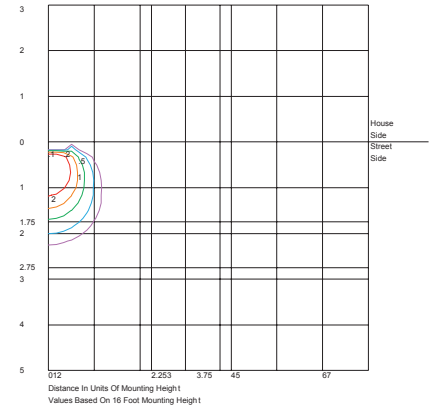
Photometry

1Q / 15W LED / 5000K CCT

Catalog #: MICL-X-1Q-50-XX-120-DS
 Report #: 1234579-50
 Maximum candela of 2133 at 42.5° from vertical.
 Power Factor:0.995
 Total Harmonic Distortion: 7.35%
 CRI: 80.2
 CCT: 5000K
 1130 Delivered Lumens
 74 Lumens per Watt
 B0-U0-G0



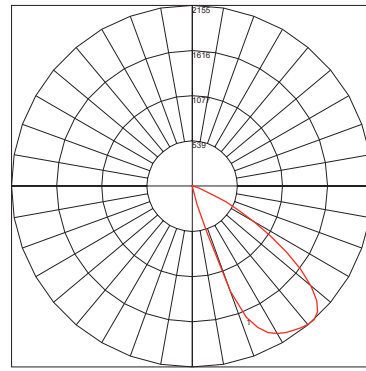
Maximum Candela = 2133.006 Located At Horizontal Angle = 0, Vertical Angle = 42.5
 # 1 - Vertical Plane Through Horizontal Angles (0 - 180) (Through Max. Cd.)



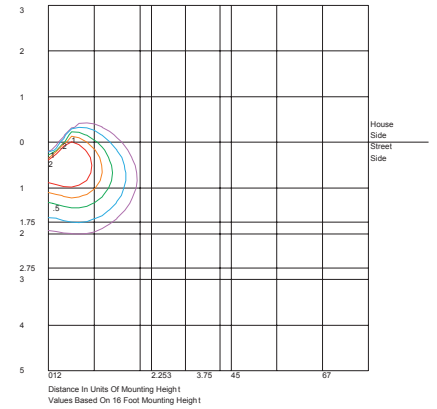
Distance In Units Of Mounting Height
 Values Based On 16 Foot Mounting Height

2Q90 / 28W LED / 5000K CCT

Catalog #: MICL-X-2Q90-50-XX-120-DS
 Report #: 1234576-50
 Maximum candela of 2154.707at 42.5° from vertical.
 Power Factor:0.995
 Total Harmonic Distortion: 7.35%
 CRI: 80.2
 CCT: 5000K
 2188 Delivered Lumens
 77 Lumens per Watt
 B0-U0-G0



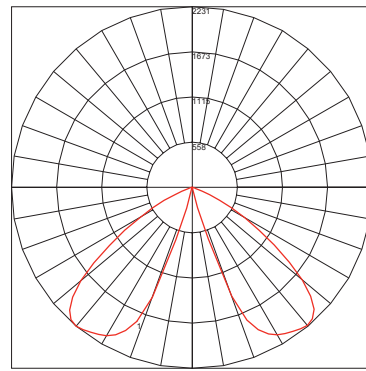
Maximum Candela = 2154.707 Located At Horizontal Angle = 45, Vertical Angle = 42.5
 # 1 - Vertical Plane Through Horizontal Angles (45 - 225) (Through Max. Cd.)



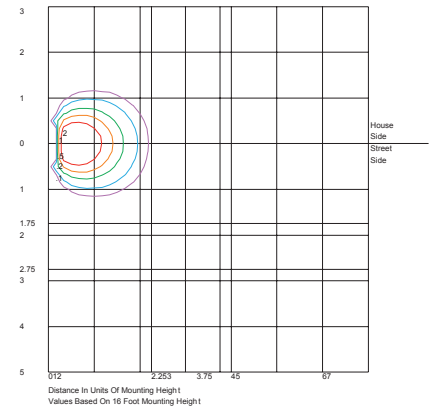
Distance In Units Of Mounting Height
 Values Based On 16 Foot Mounting Height

2Q180 / 29W LED / 5000K CCT

Catalog #: MICL-X-2Q180-50-XX-120-DS
 Report #: 1234577-50
 Maximum candela of 2230.607at 40° from vertical.
 Power Factor:0.995
 Total Harmonic Distortion: 7.35%
 CRI: 80.2
 CCT: 5000K
 2189 Delivered Lumens
 77 Lumens per Watt
 B1-U0-G0



Maximum Candela = 2230.607 Located At Horizontal Angle = 92.5, Vertical Angle = 40
 # 1 - Vertical Plane Through Horizontal Angles (92.5 - 272.5) (Through Max. Cd.)

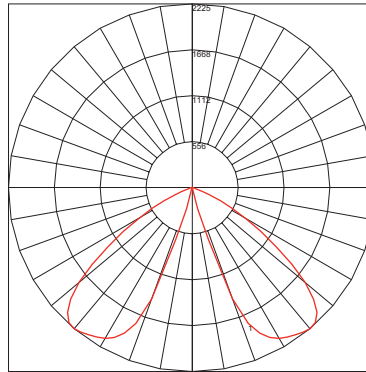


Distance In Units Of Mounting Height
 Values Based On 16 Foot Mounting Height

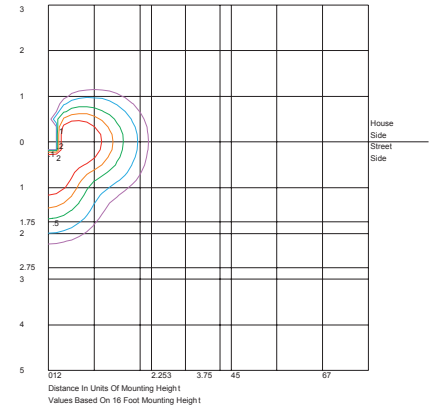
Photometry

3Q / 42W LED / 5000K CCT

Catalog #: MICL-X-3Q-50-XX-120-DS
 Report #: 1234578-50
 Maximum candela of 2224.513 at 40° from vertical.
 Power Factor: 0.995
 Total Harmonic Distortion: 7.35%
 CRI: 80.2
 CCT: 5000K
 3267 Delivered Lumens
 78 Lumens per Watt
 B1-U0-G0



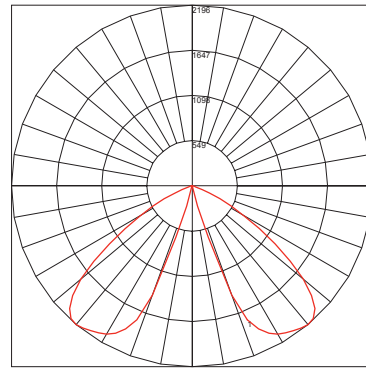
Maximum Candela = 2224.513 Located At Horizontal Angle = 90, Vertical Angle = 40
 # 1 - Vertical Plane Through Horizontal Angles (90 - 270) (Through Max. Cd.)



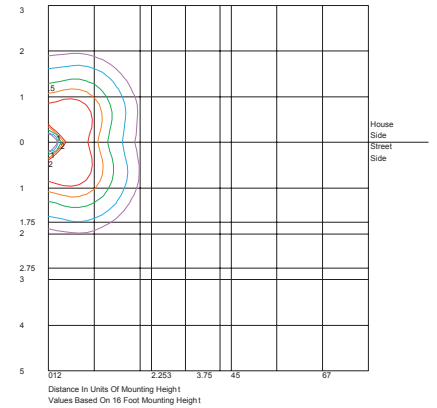
Distance In Units Of Mounting Height
 Values Based On 16 Foot Mounting Height

4QS / 56W LED / 5000K CCT

Catalog #: MICL-X-4QS-50-XX-120-DS
 Report #: 1234579-50
 Maximum candela of 2196 at 40° from vertical.
 Power Factor: 0.995
 Total Harmonic Distortion: 7.35%
 CRI: 80.2
 CCT: 5000K
 4320 Delivered Lumens
 78 Lumens per Watt
 B2-U0-G0



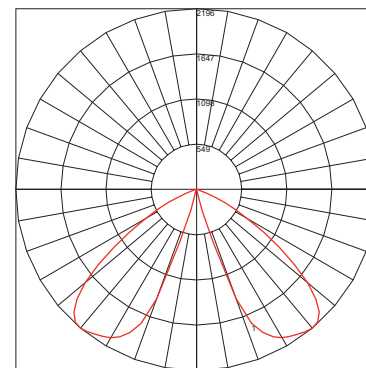
Maximum Candela = 2196.757 Located At Horizontal Angle = 90, Vertical Angle = 40
 # 1 - Vertical Plane Through Horizontal Angles (90 - 270) (Through Max. Cd.)



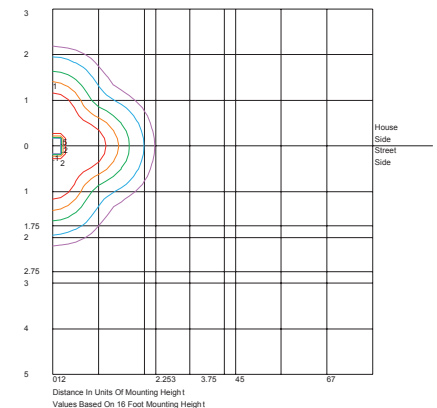
Distance In Units Of Mounting Height
 Values Based On 16 Foot Mounting Height

4QD / 56W LED / 5000K CCT

Catalog #: MICL-X-4QD-50-XX-120-DS
 Report #: 1234579-50
 Maximum candela of 2196 at 40° from vertical.
 Power Factor: 0.995
 Total Harmonic Distortion: 7.35%
 CRI: 80.2
 CCT: 5000K
 4320 Delivered Lumens
 78 Lumens per Watt
 B2-U0-G0



Maximum Candela = 2196.757 Located At Horizontal Angle = 90, Vertical Angle = 40
 # 1 - Vertical Plane Through Horizontal Angles (90 - 270) (Through Max. Cd.)



Distance In Units Of Mounting Height
 Values Based On 16 Foot Mounting Height