

Date: _____ Customer: _____

Project: _____

Type: _____ Qty: _____



Facade Module



Order Code: **FM** - - - - -

FM	Series	FM Facade Module				
	Distribution	S Symmetric	AL Asymmetric Left	AR Asymmetric Right		
	Beam	NB Narrow Beam	WB Wide Beam			
	Optic	MUO Medium Upward Offset	FUO Flood Upward Offset	DN* Downward Near	DD* Direct Downward	PC Parallel Concentrated <small>*N/A with AL or AR</small>
	Light Engine	L62 62w				
	CCT	30 3000k	40 4000K			
	Finish	BL Semi-Matte Black				
	Voltage	UNV (120-277)				
	Options	DM Dimming (0-10V)	DMD DALI	WM* Wall Mount <small>*Consult factory</small>		

For details on distribution, beam, and optics, please see pages 5 through 9

Product Modifications

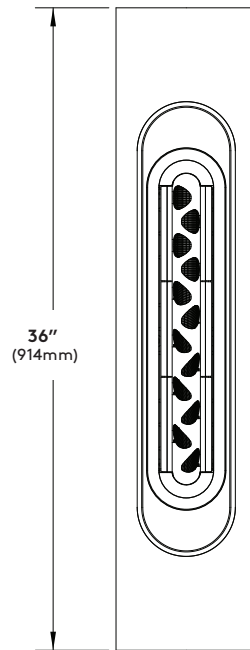
Please list modification requirements for review by factory:

Approvals



Date: _____

FM-X-XX-XX



Specifications

Fixture Housing – Die-cast low-copper aluminum fixture body and tempered glass with anti-reflective coating provide corrosion resistance in marine environments.

Gasketing – Continuous gaskets provide weather-proofing, dust, and insect control.

LED Light Engine – High efficiency LED light engine equipped with brand-name LEDs, available in 3000K and 4000K. Suitable for max ambient temperatures up to 40°C.

Optics – Primary optic and precision secondary reflector provide a wide range of façade distributions.

Exterior Luminaire Finish – Selux utilizes a high quality Polyester Powder Coating. All Selux luminaires and poles are finished in our Tiger Drylac certified facility and undergo a five stage intensive pretreatment process where product is thoroughly cleaned, phosphated and sealed. Selux powder coated products provide excellent salt and humidity resistance as well as ultraviolet resistance for color retention. All products are tested in accordance with test specifications for coatings from ASTM and PCI.

Standard finish is Semi-Matte Black (BL).

5 Year Limited LED Luminaire Warranty - Selux offers a 5 Year Limited Warranty to the original purchaser that the Inula Column LED luminaire shall be free from defects in material and workmanship for up to five (5) years from date of shipment. This limited warranty covers the LED driver and LED array when installed and operated according to Selux instructions. For details, see "Selux Terms and Condition of Sale."

Listings and Ratings: Luminaire and LED tested to IESNA LM-79-08 standards. LED tested to LM-80 standards. Luminaire and LED tested at 25°C ambient temperature.

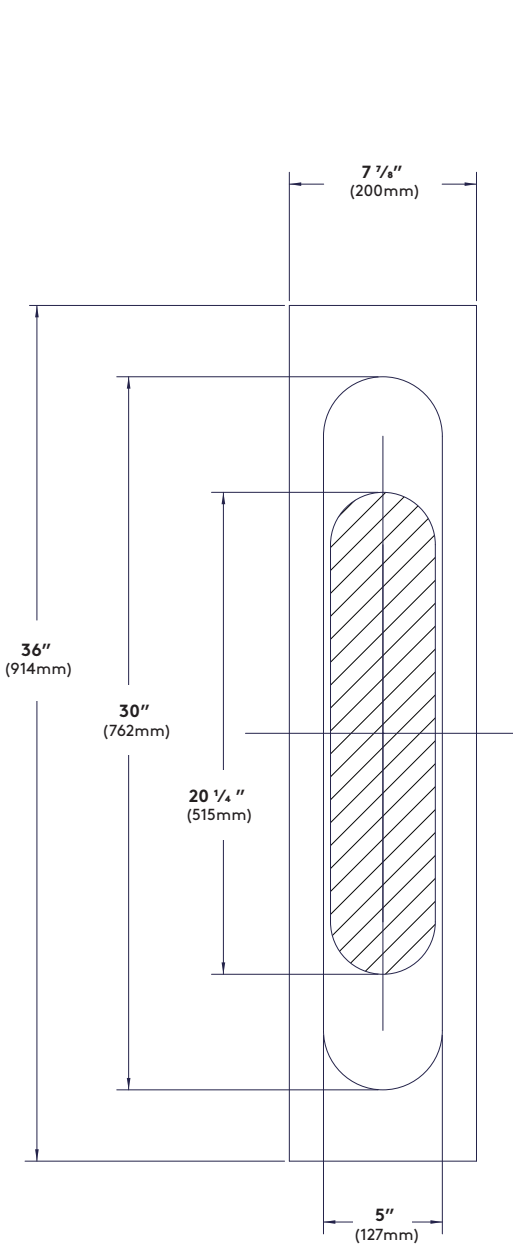
Luminaire suitable for ambient temperatures between -40°C (-40°F) to 40°C (104°F).

LED Life: LED light engine provides a reported lumen maintenance of 93% at 36,000 hours. L70 calculated greater than 100,000 hours.

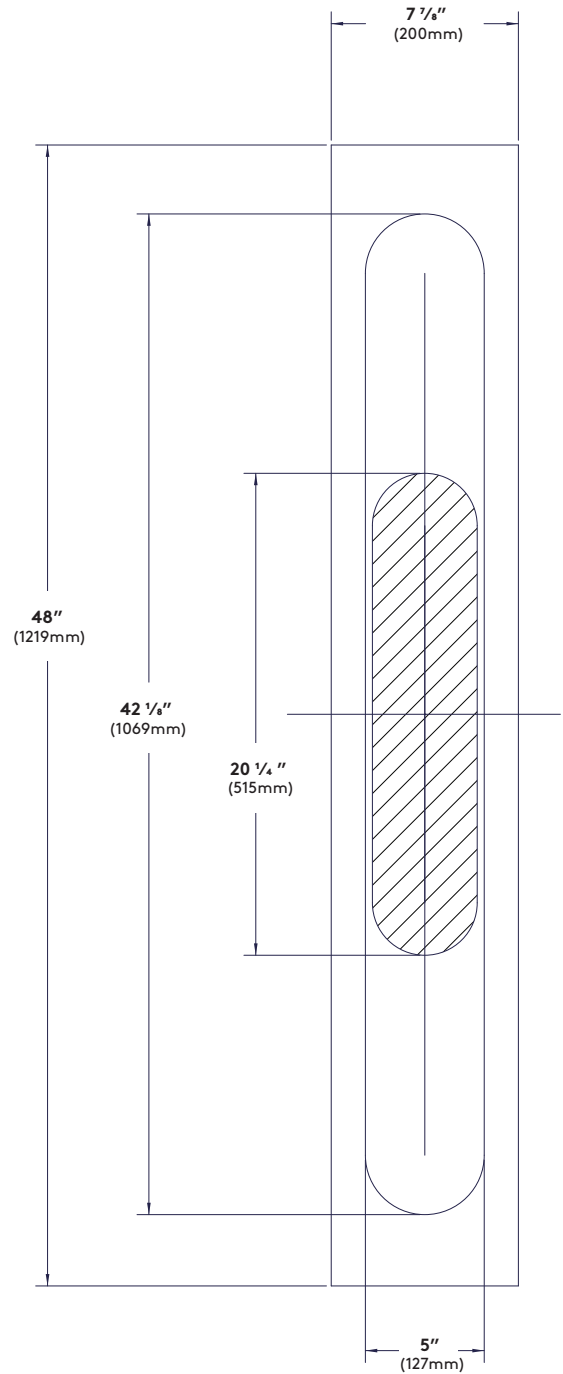
NRTL Listed(i.e. UL, CSA)

Visit selux.us for our LED End of Life recycling policy.

Dimensions



FMS-XXX
Facade Module small opening

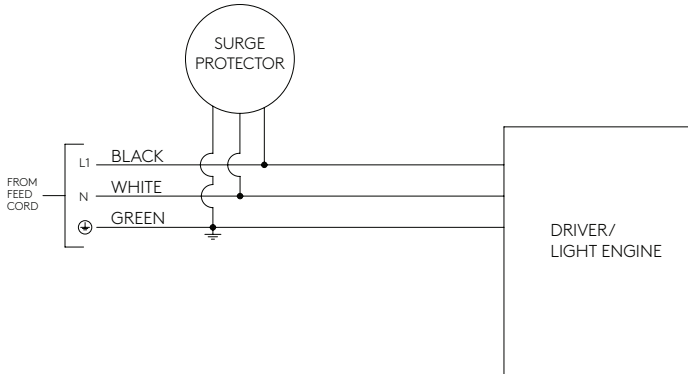


FML-XXX
Facade Module large opening

Wiring

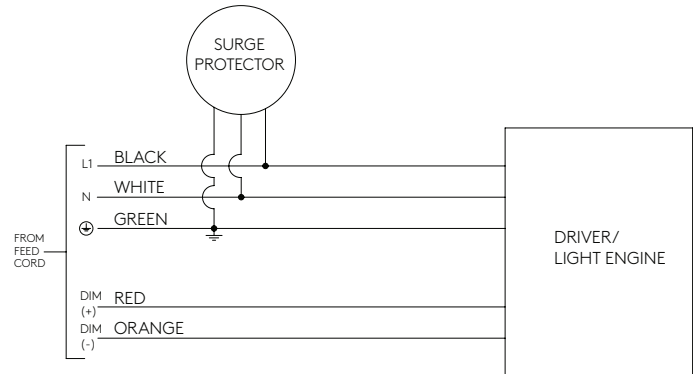
Standard Wiring for 120-277V

Standard Wiring for 120-277V with no additional options.



0-10V Dimming Option (DM) Wiring for 120-277V

100% light output at 10V, down to 1% light output at 0V.

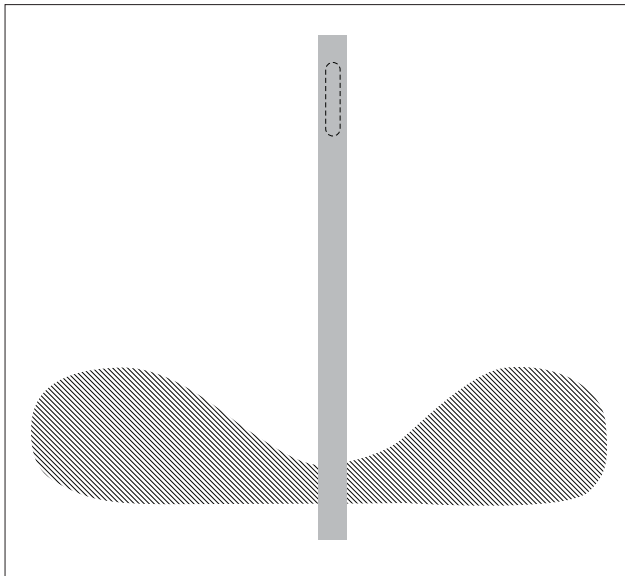


Optics Options

For complete photometry files, please refer to our website.

S-WB-DD

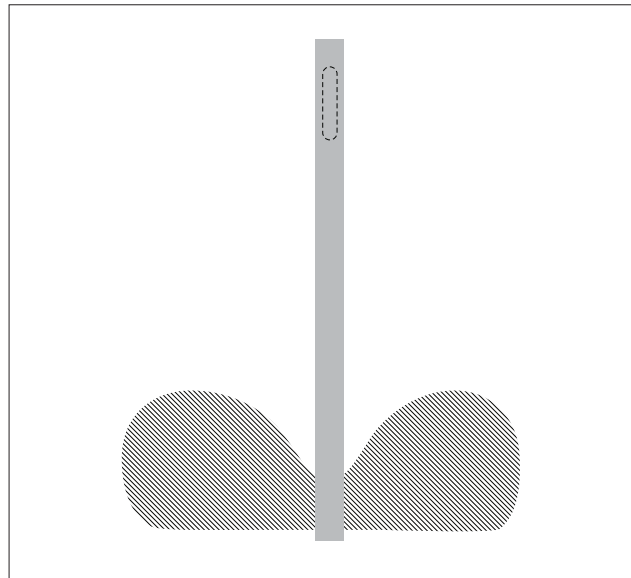
Symmetric, Wide Beam, Direct Downward



Lumens: 3901
Watts: 65
Lumens/W: 60

S-WB-DN

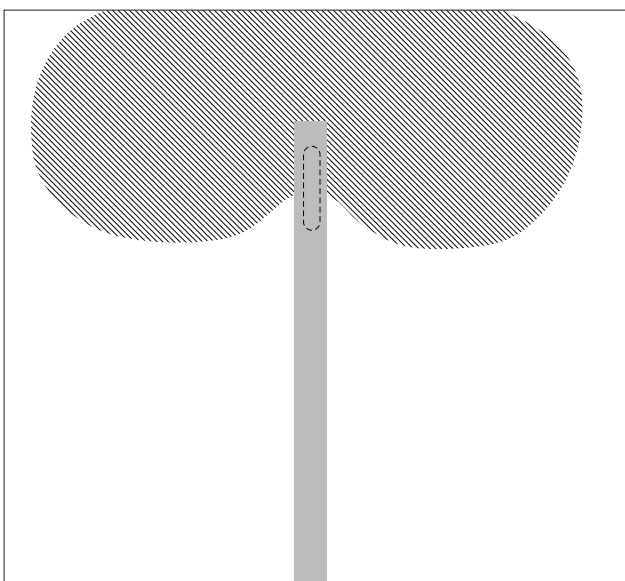
Symmetric, Wide Beam, Downward Near



Lumens: 3898
Watts: 65
Lumens/W: 60

S-WB-FUO

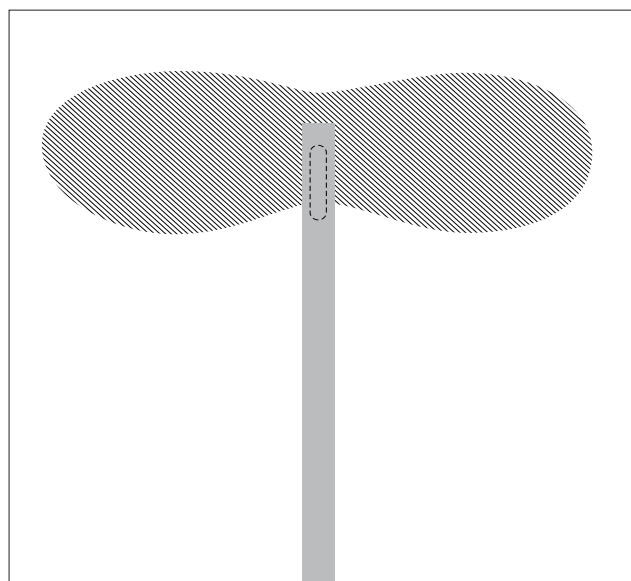
Symmetric, Wide Beam, Flood Upward Offset



Lumens: 4499
Watts: 62
Lumens/W: 73

S-WB-MUO

Symmetric, Wide Beam, Medium Upward Offset



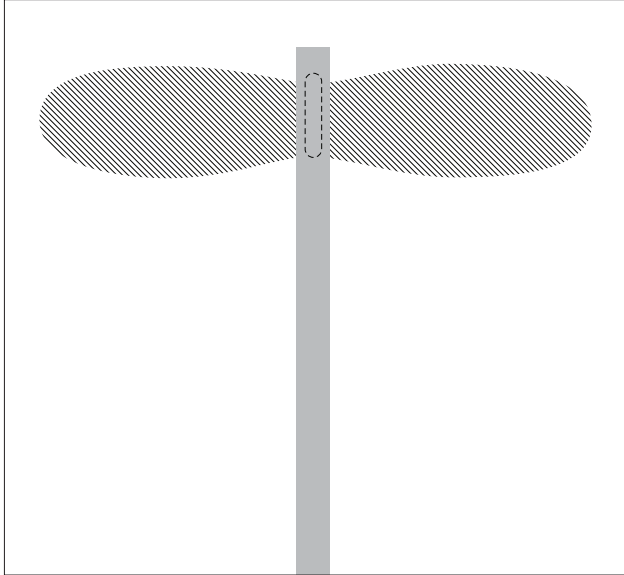
Lumens: 4501
Watts: 62
Lumens/W: 73

Optics Options

For complete photometry files, please refer to our website.

S-WB-PC

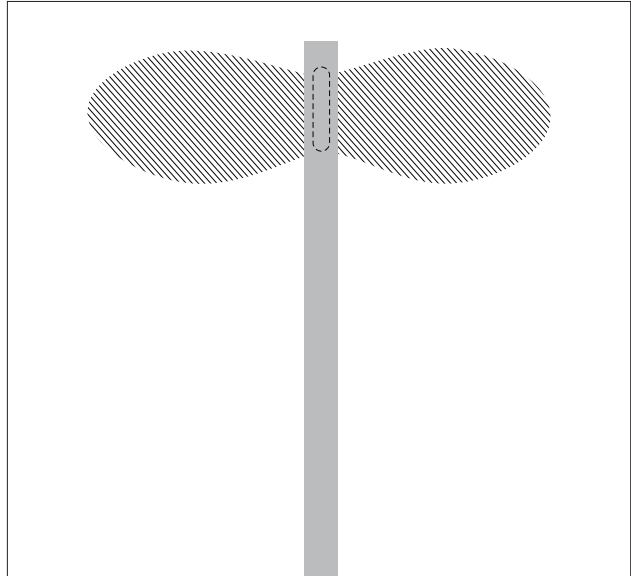
Symmetric, Wide Beam, Parallel Concentrated



Lumens: 4504
Watts: 62
Lumens/W: 73

S-NB-PC

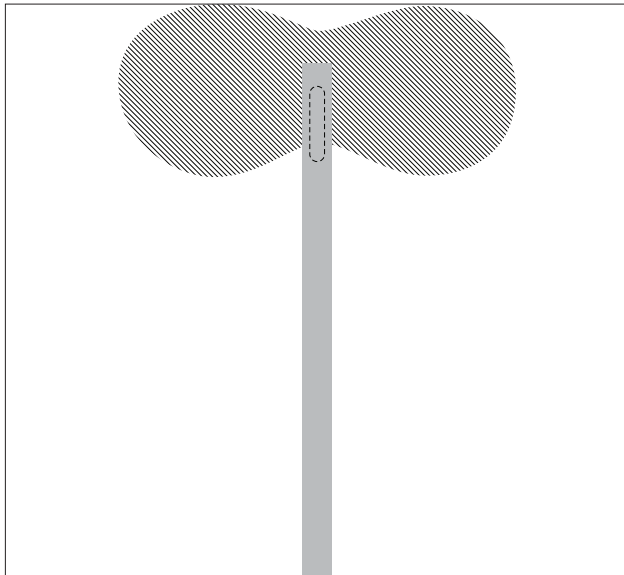
Symmetric, Narrow Beam, Parallel Concentrated



Lumens: 4510
Watts: 62
Lumens/W: 73

S-NB-MUO

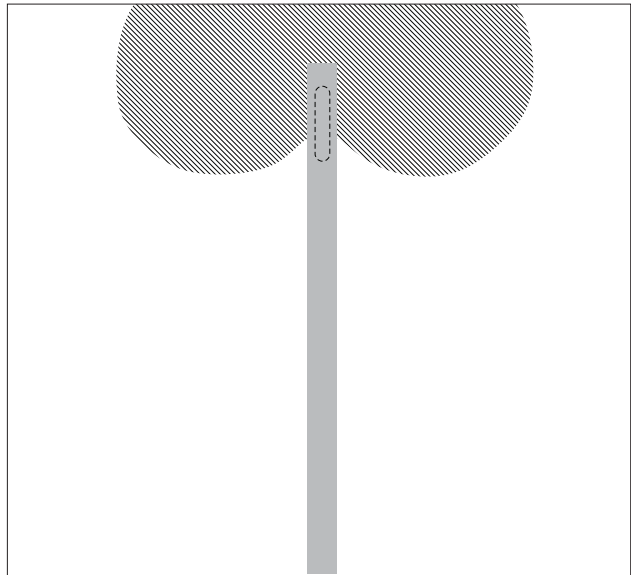
Symmetric, Narrow Beam, Medium Upward Offset



Lumens: 4504
Watts: 62
Lumens/W: 73

S-NB-FUO

Symmetric, Narrow Beam, Flood Upward Offset



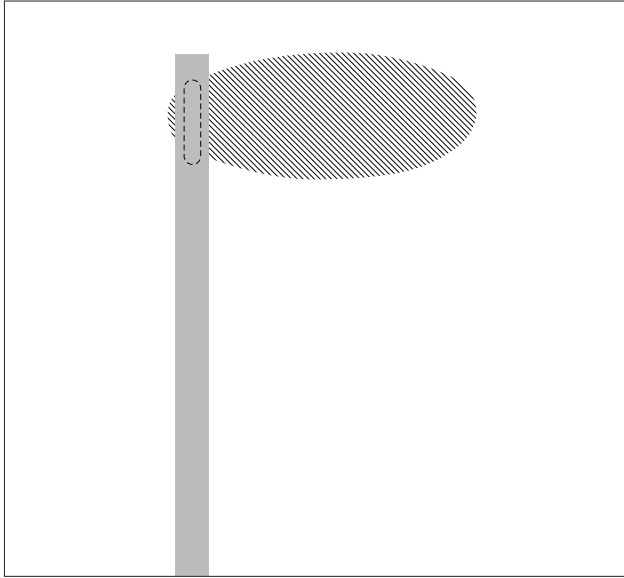
Lumens: 4501
Watts: 62
Lumens/W: 73

Optics Options

For complete photometry files, please refer to our website.

AR-WB-PC

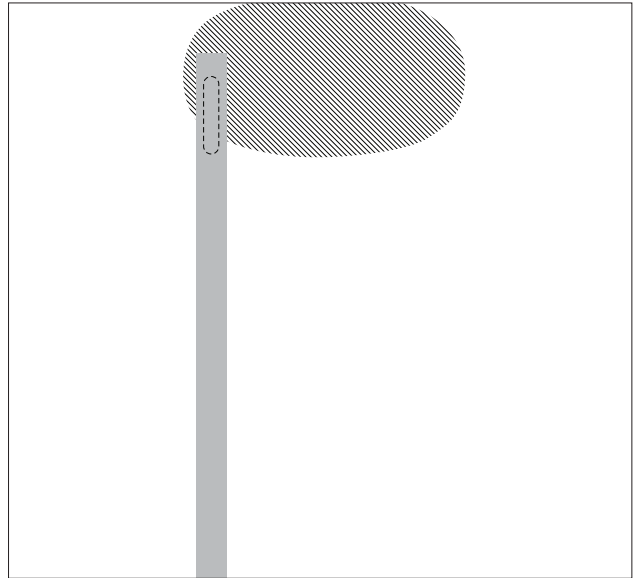
Asymmetric Right, Wide Beam, Parallel Concentrated



Lumens: 4504
Watts: 62
Lumens/W: 73

AR-WB-MUO

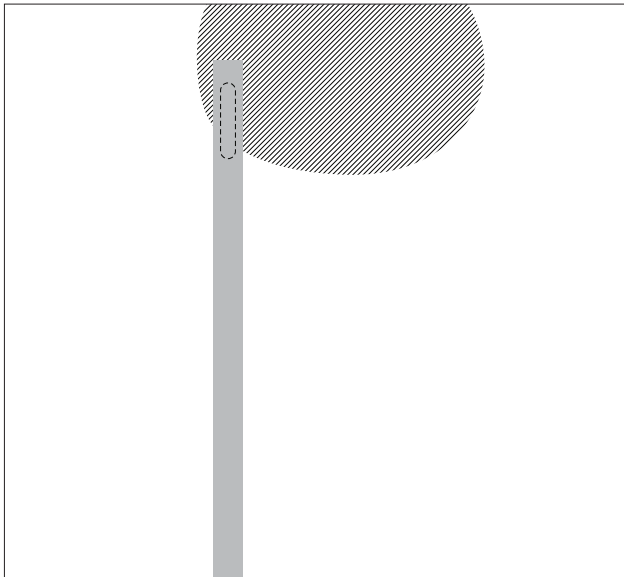
Asymmetric Right, Wide Beam, Medium Upward Offset



Lumens: 4501
Watts: 62
Lumens/W: 73

AR-WB-FUO

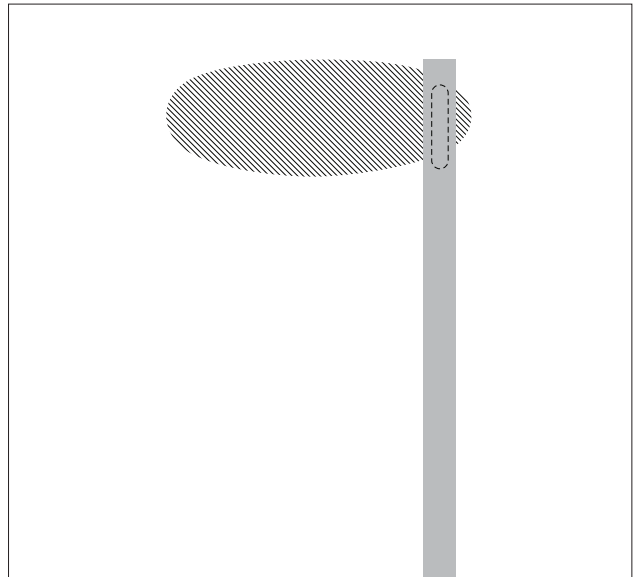
Asymmetric Right, Wide Beam, Flood Upward Offset



Lumens: 4500
Watts: 62
Lumens/W: 73

AL-WB-PC

Asymmetric Left, Wide Beam, Parallel Concentrated



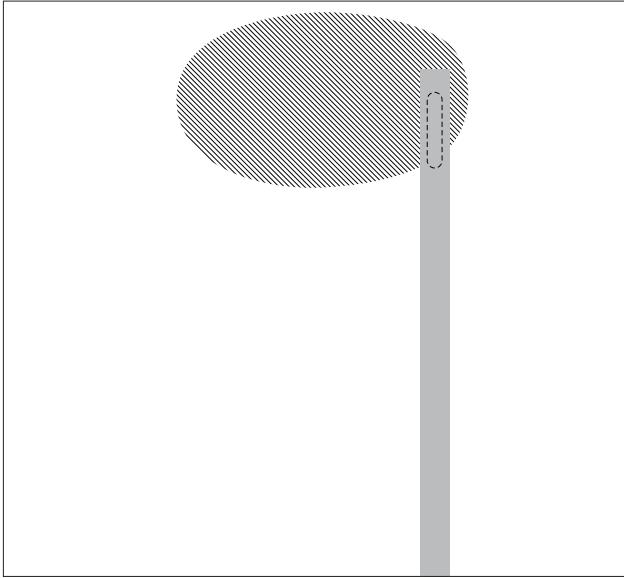
Lumens: 4504
Watts: 62
Lumens/W: 73

Optics Options

For complete photometry files, please refer to our website.

AL-WB-MUO

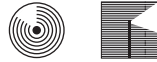
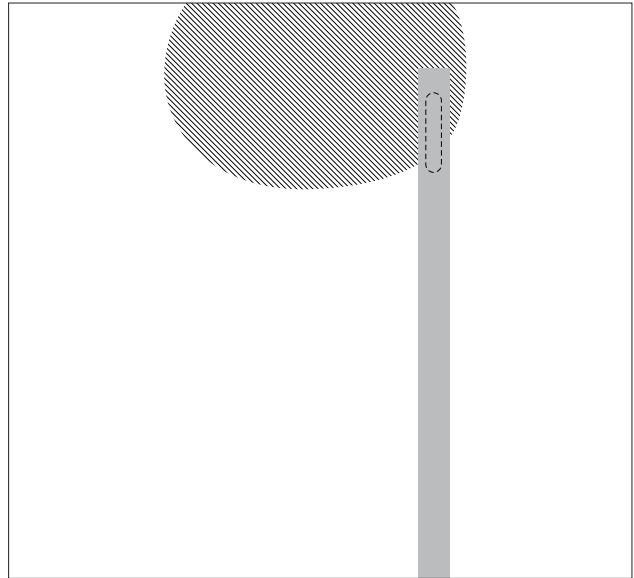
Asymmetric Left, Wide Beam, Medium Upward Offset



Lumens: 4501
Watts: 62
Lumens/W: 73

AL-WB-FUO

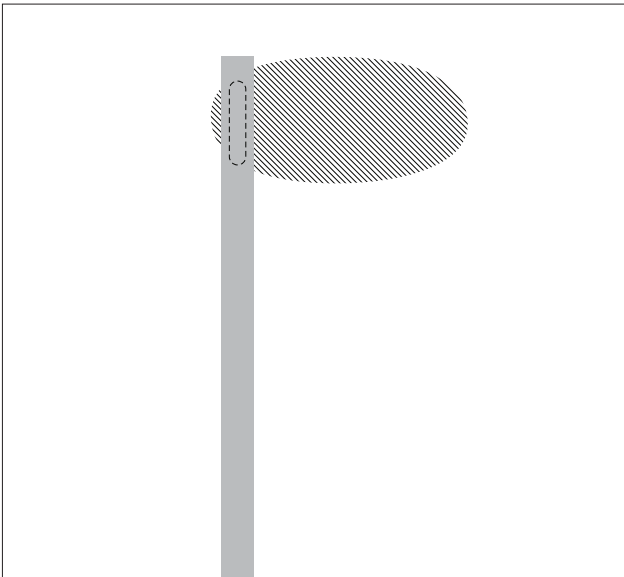
Asymmetric Left, Wide Beam, Flood Upward Offset



Lumens: 4499
Watts: 62
Lumens/W: 73

AR-NB-PC

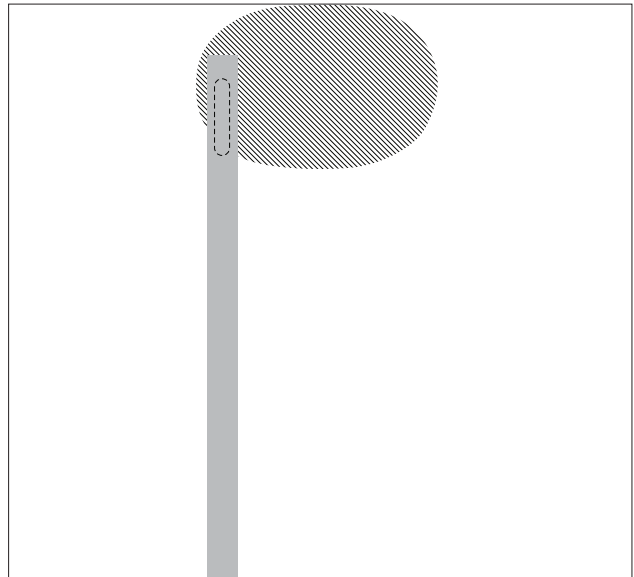
Asymmetric Right, Narrow Beam, Parallel Concentrated



Lumens: 4511
Watts: 62
Lumens/W: 73

AR-NB-MUO

Asymmetric Right, Narrow Beam, Medium Upward Offset



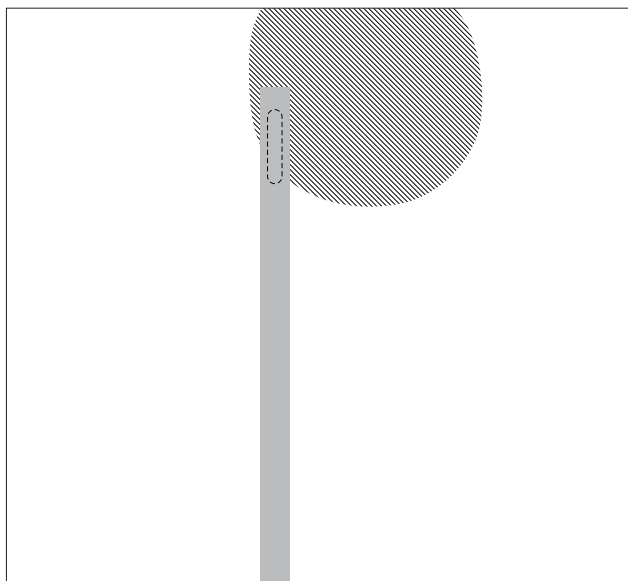
Lumens: 4501
Watts: 62
Lumens/W: 73

Optics Options

For complete photometry files, please refer to our website.

AR-NB-FUO

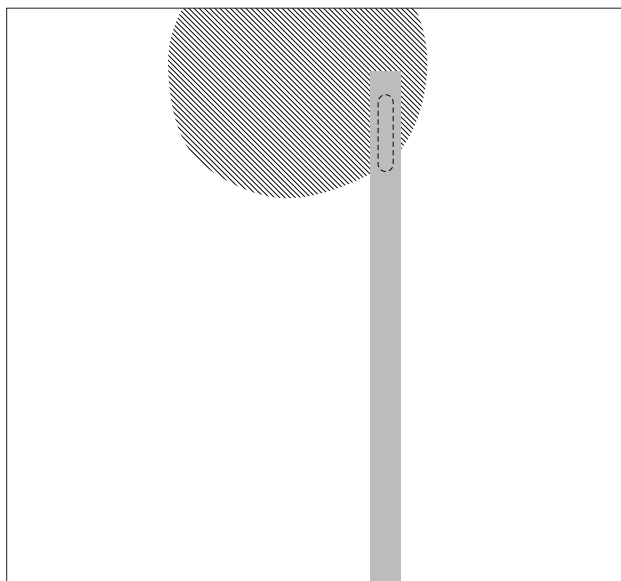
Asymmetric Right, Narrow Beam, Flood Upward Offset



Lumens: 4501
Watts: 62
Lumens/W: 73

AL-NB-FUO

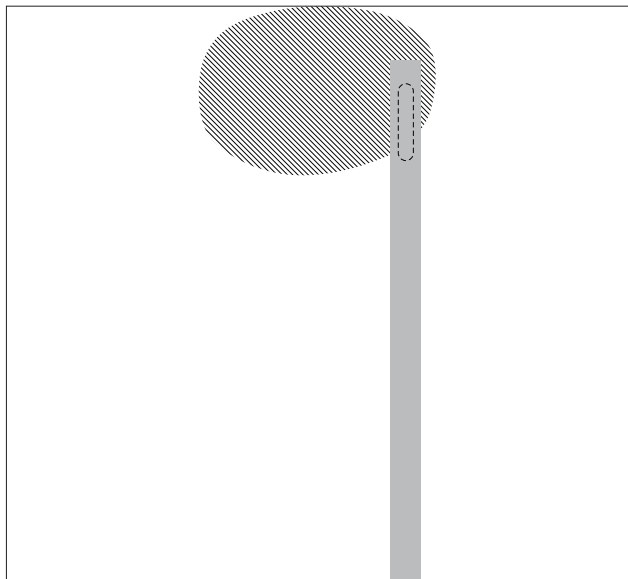
Asymmetric Left, Narrow Beam, Flood Upward Offset



Lumens: 4501
Watts: 62
Lumens/W: 73

AL-NB-MUO

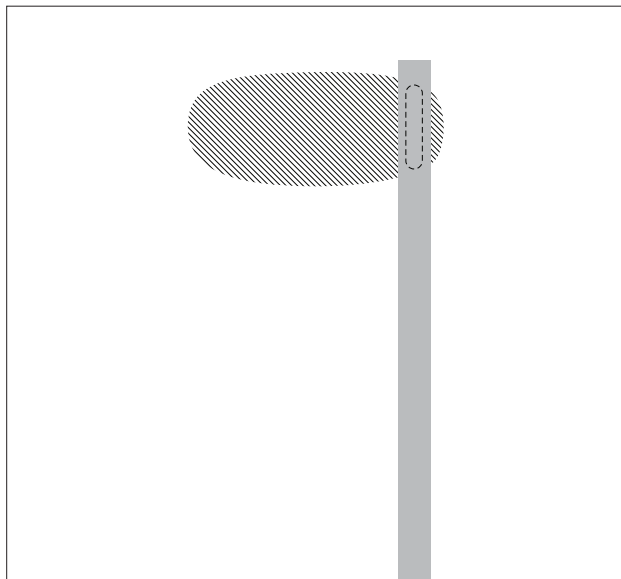
Asymmetric Left, Narrow Beam, Medium Upward Offset



Lumens: 4501
Watts: 62
Lumens/W: 73

AL-NB-PC

Asymmetric Left, Narrow Beam, Parallel Concentrated



Lumens: 4509
Watts: 62
Lumens/W: 73