

Date: _____ Customer: _____

Project: _____

Type: _____ Qty: _____



Modular Exelia Gen 5 LED



Order Code: MEXRL - - - - -

MEXRL	Series	MEXRL Modular Column Exelia Gen 5 LED						
	Optic	R1 Type I	R2 Type II	R3 Type III	R4 Type IV	R5R Type V Round	R5S Type V Square	
	Light Engine	5G350 nominal 33W	5G530 nominal 48W	5G700 nominal 64W	5G105 nominal 97W	5G140 nominal 126W		
	CCT	30* 3000K	40 4000K					* IDA approved For other CCT please consult factory
	Finish	WH White	BK Black	BL Semi-Matte Black	BZ Bronze	SV Silver	SP Specify Premium Color	
	Voltage	120 120V	208 208V	240 240V	277 277V	UNV ^{1,6} 120-277	347 ^{2,6} 347V	480 ^{2,6} 480V
	Options	DM ⁵ Dimming (0-10V)	HL50 ^{3, 5} Hi-Lo Switching	HS ⁴ House Side Shield				³ 120V, 240V and 277V only ⁴ Type I, II, III & IV only ⁵ DM or HL50 only, cannot be combined ⁶ Not available with HL50

Product Modifications

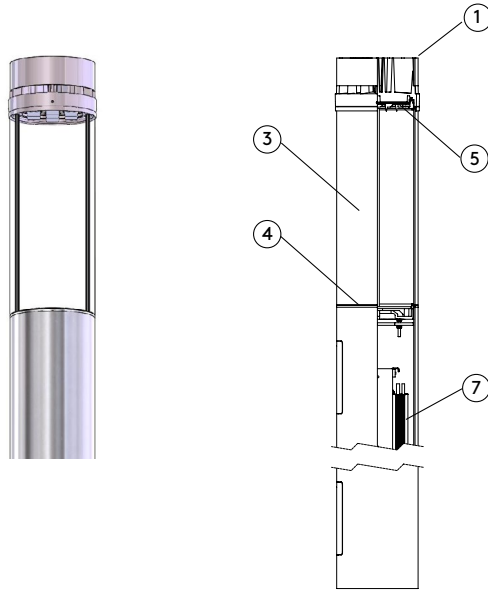
Please list modification requirements for review by factory:

Approvals



Date: _____

MEXRL



Specifications

1. Luminaire Cover / External Heat Sink - Low copper, marine-grade aluminum die cast cover, with shroud for smooth crisp form to reflect and complement the column design. Designed for optimal heat dissipation even in high temperature environments.

2. Gasketing - (not shown) Continuous one piece gaskets made from UV and ozone resistant silicone. Molded gaskets ensure IP65 rating, dust, and insect control throughout the luminaire head.

3. Shielding - Clear, impact resistant, UV stabilized polycarbonate cylinder creates optical chamber, minimum wall thickness 0.118" (3mm). IK10 rated.

4. Column Fitter - Low copper, marine-grade aluminum die-cast fitter, with built-in gasketing ridges, for smooth transition to column.

5. LED Array - High Flux LEDs mounted to metal core PCB and attached to external heat sink for maximum LED performance and life. CCT tolerance within a 3 step bin and provided with a minimum CRI of 80. LED light engine has a reported lumen maintenance of 97.5% at 50,000 hours. L70 calculated greater than 100,000 hours.

6. LED Optics - (not shown) Proprietary technical Optics (R1, R2, R3, R4, R5S and R5R) use Selux signature light pattern acrylic lens holder to secure proprietary silicone optics. Internal micro house side shield available for distributions types I, II, III & IV.

7. LED Driver - LEDs are driven by RoHS compliant constant current programmable LED driver. Driver includes 0-10V dimming to 10%, meets the requirements of IP66. Driver assembly located inside the column and accessible through the upper hand hole.

8. Surge Protector - (not shown) Independent surge protector device designed to protect luminaire from electrical surge up to standard 20kA.

Exterior Luminaire Finish - Selux utilizes a high quality Polyester Powder Coating. All Selux luminaires and poles are finished in our Tiger Drylac certified facility and undergo a five stage intensive pretreatment process where product is thoroughly cleaned, phosphated and sealed. Selux powder coated products provide excellent salt and humidity resistance as well as ultraviolet resistance for color retention. All products are tested in accordance with test specifications for coatings from ASTM and PCI.

Standard exterior colors are White (WH), Black (BK), Semi-Matte Black (BL), Bronze (BZ), and Silver (SV). Selux premium colors (SP) are available, please specify from your Selux color selection guide.

5 Year Limited LED Luminaire Warranty - Selux offers a 5 Year Limited Warranty to the original purchaser that the Exelia LED luminaire shall be free from defects in material and workmanship for up to five (5) years from date of shipment. This limited warranty covers the LED driver and LED array when installed and operated according to Selux instructions. For details, see "Selux Terms and Condition of Sale."

Listings and Ratings: Tested to NRTL Wet Location and IESNA LM-79-08 standards. LED tested to LM-80 standards. Luminaire and LED tested at 25°C (77°F) ambient temperature.

NRTL Listed (i.e. UL, CSA)

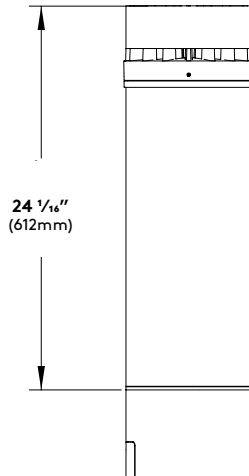
Visit selux.us for our LED End of Life recycling policy.

Ambient Temperature Chart (standard)	
Minimum	Maximum
-40° C (-40° F)	45° C (113° F)

MEXRL

Exelia LED 3000K & 4000K										
Color Temperature	Type R1, R2, R3 & R4					Type R5R & R5S				
Drive Current (mA)	5G140	5G105	5G700	5G530	5G350	5G140	5G105	5G700	5G530	5G350
Performance										
Delivered Lumens (lm)	9502	8110	5674	4372	3081	10032	8563	5991	4616	3251
Wattage (W)	126.3	97	64.1	48.1	33	126.3	97	61.1	48.1	33
Efficacy (lm/W)	75.2	83.6	88.5	90.9	93.4	79.4	88.3	98.1	96.0	98.5
Lm Multiplier	1.000	0.854	0.597	0.460	0.324	1.000	0.854	0.597	0.460	0.324

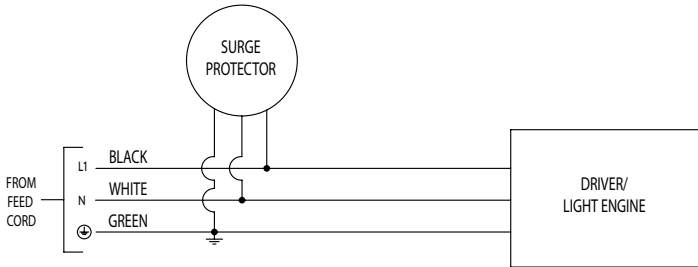
Mounting Information



Wiring

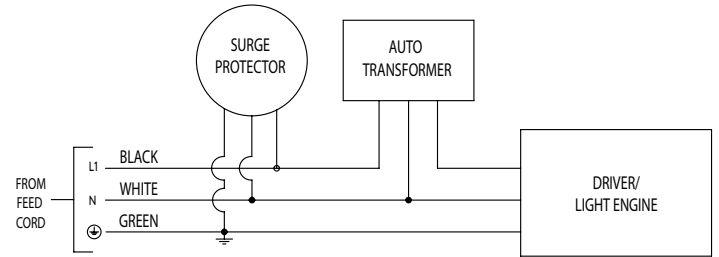
Standard Wiring for 120-277V and UNV

Standard Wiring for 120-277V with no additional options.



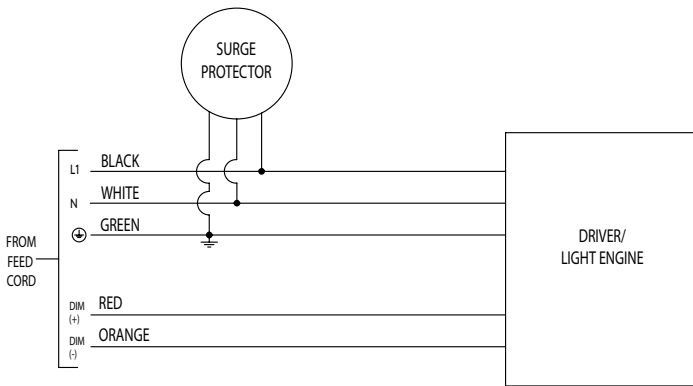
Standard Wiring for 347/480V

Standard Wiring for 347/480V with no additional options.



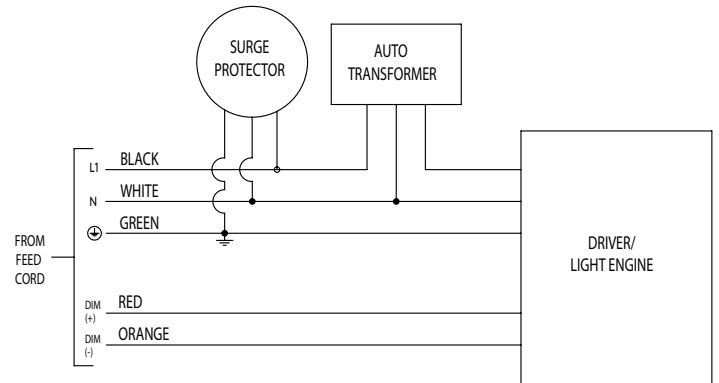
0-10V Dimming Option (DM) Wiring for 120-277V and UNV

100% light output at 10V, down to 10% light output at 0V.



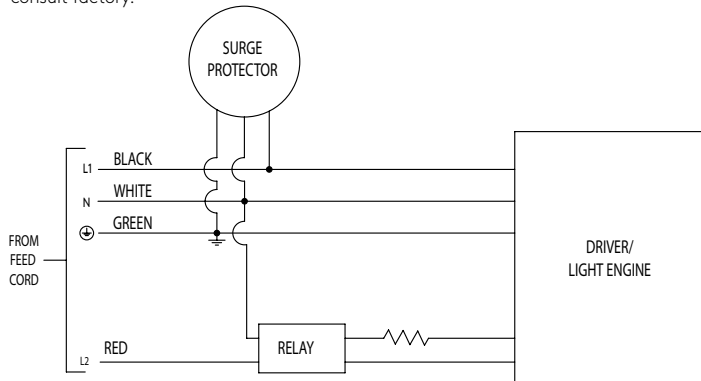
0-10V Dimming Option (DM) Wiring for 347/480V

100% light output at 10V, down to 10% light output at 0V.



Hi-Lo Switching Option (HL50) Wiring

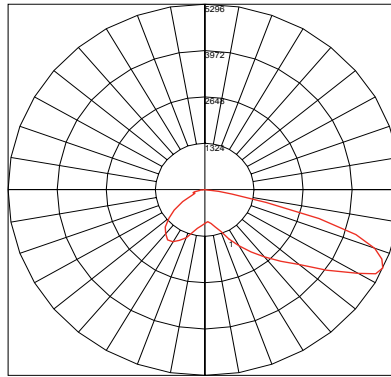
120/240/277V. When red (L2) is energized, light output will be at "Lo" level. HL50 equals 50% system power at "Lo" setting. For other values, please consult factory.



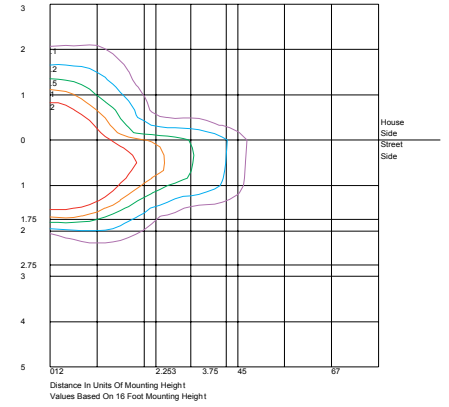
Photometry

EXRL / R1 / 3000K CCT

Catalog #: EXRL-X-R1-5G140-30-XX-UNV
 Delivered Lumens: 9502
 Input Watts: 126.3W
 Efficacy: 75 lm/W
 CRI: 81.7
 Maximum candela: 5295.906 at 65° from vertical
 IES classification: Type II
 Bug Rating: B2-U0-G2
 Power Factor: 0.996
 Total Harmonic Distortion: 5.50%

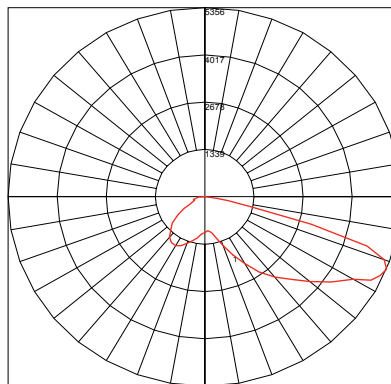


Maximum Candela = 5295.906 Located At Horizontal Angle = 75, Vertical Angle = 65
 # 1 - Vertical Plane Through Horizontal Angles (75 - 255) (Through Max. Cd.)

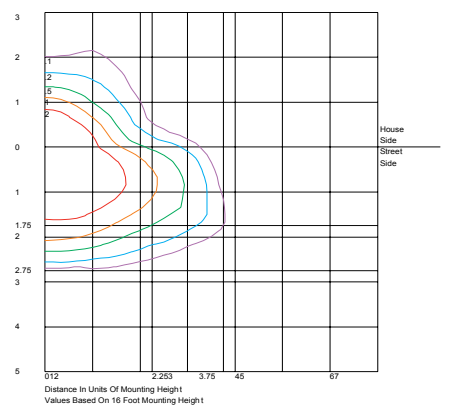


EXRL / R2 / 3000K CCT

Catalog #: EXRL-X-R2-5G140-30-XX-UNV
 Delivered Lumens: 9502
 Input Watts: 126.6W
 Efficacy: 75 lm/W
 CRI: 81.7
 Maximum candela: 5356.06 at 67.5° from vertical
 IES classification: Type III
 Bug Rating: B2-U0-G3
 Power Factor: 0.996
 Total Harmonic Distortion: 5.50%

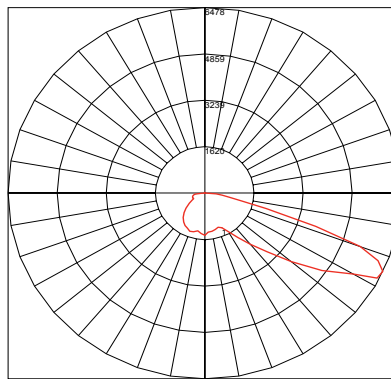


Maximum Candela = 5356.06 Located At Horizontal Angle = 65, Vertical Angle = 67.5
 # 1 - Vertical Plane Through Horizontal Angles (65 - 245) (Through Max. Cd.)

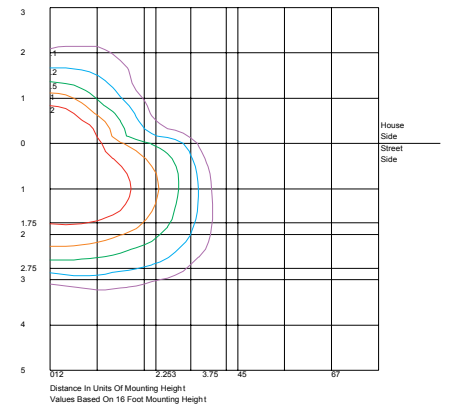


EXRL / R3 / 3000K CCT

Catalog #: EXRL-X-R3-5G140-30-XX-UNV
 Delivered Lumens: 9502
 Input Watts: 126.3W
 Efficacy: 75 lm/W
 CRI: 81.7
 Maximum candela: 6478.105 at 65° from vertical.
 IES classification: Type III
 Bug Rating: B2-U0-G2
 Power Factor: 0.996
 Total Harmonic Distortion: 5.50%

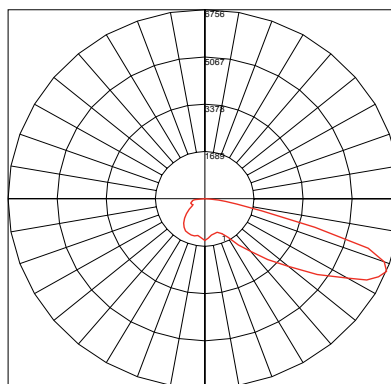


Maximum Candela = 6478.105 Located At Horizontal Angle = 45, Vertical Angle = 65
 # 1 - Vertical Plane Through Horizontal Angles (45 - 225) (Through Max. Cd.)

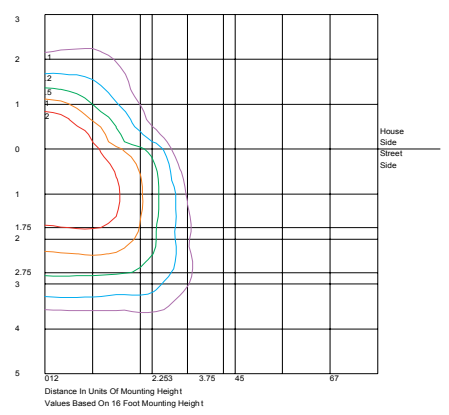


EXRL / R4 / 3000K CCT

Catalog #: EXRL-X-R4-5G140-30-XX-UNV
 Delivered Lumens: 9502
 Input Watts: 126.3W
 Efficacy: 75 lm/W
 CRI: 81.7
 Maximum candela: 6755.814 at 67.5° from vertical
 IES classification: Type IV
 Bug Rating: B2-U0-G2
 Power Factor: 0.996
 Total Harmonic Distortion: 5.50%

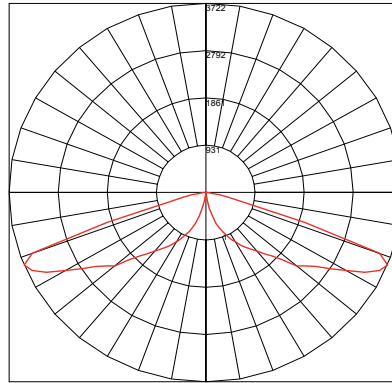


Maximum Candela = 6755.814 Located At Horizontal Angle = 35, Vertical Angle = 67.5
 # 1 - Vertical Plane Through Horizontal Angles (35 - 215) (Through Max. Cd.)

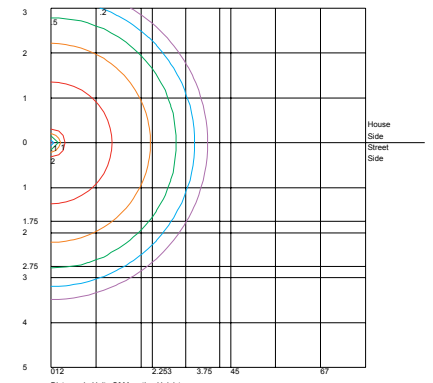


Photometry

EXRL / R5R / 3000K CCT
 Catalog #: EXRL-X-R5R-5G140-30-XX-UNV
 Delivered Lumens: 10032
 Input Watts: 126.3W
 Efficacy: 79 lm/W
 CRI: 81.7
 Maximum candela: 3722 at 67.5° from vertical
 IES classification: Type V
 Bug rating: B3-U0-G2
 Power Factor: 0.996
 Total Harmonic Distortion: 5.50%

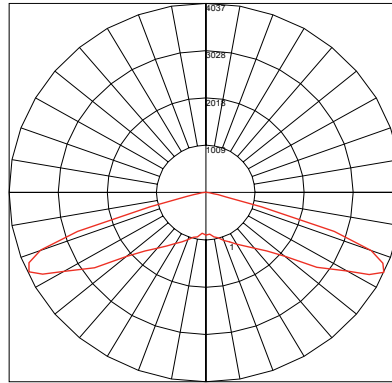


Maximum Candela = 3722.3 Located At Horizontal Angle = 0, Vertical Angle = 67.5
 # 1 - Vertical Plane Through Horizontal Angles (0 - 180) (Through Max. Cd.)

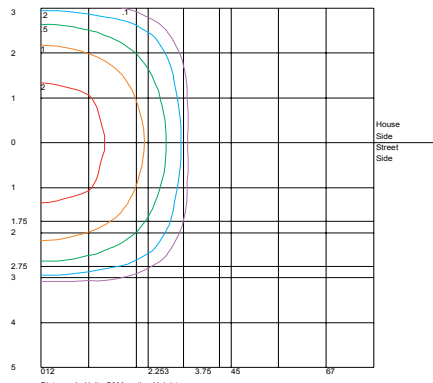


Distance In Units Of Mounting Height
 Values Based On 16 Foot Mounting Height

EXRL / R5S / 3000K CCT
 Catalog #: EXRL-X-R5S-5G140-30-XX-UNV
 Delivered Lumens: 10032
 Input Watts: 126.3W
 Efficacy: 79 lm/W
 CRI: 81.7
 Maximum candela: 4036.873 at 65° from vertical
 IES classification: Type VS
 Bug Rating: B3-U0-G2
 Power Factor: 0.996
 Total Harmonic Distortion: 5.50%



Maximum Candela = 4036.873 Located At Horizontal Angle = 45, Vertical Angle = 65
 # 1 - Vertical Plane Through Horizontal Angles (45 - 225) (Through Max. Cd.)



Distance In Units Of Mounting Height
 Values Based On 16 Foot Mounting Height