

Date: _____ Customer: _____

Project: _____

Type: _____ Qty: _____



LINE Round Bollard



Order Code: LRB - _____ - _____ - _____ - _____ - _____ - _____ - _____

<u>LRB</u>	Series	LRB Line Round Bollard						
	Nominal Overall Height	3 3'	3.5 3.5'	4 4'			*For other heights consult factory.	
	Light Engine	S01 Single 1 Cell 7W/250lm	S03 Single 3 Cell 15W/750lm	D01 Double 1 Cell (back to back 180°) 14W/500lm	D03 Double 3 Cell (back to back 180°) 30W/1,500lm	* Based on 3000K CCT		
	CCT	30 3000K	40 4000K			* For other CCT consult factory.		
	Finish	WH White	BK Black	BL Semi-Matte Black	BZ Bronze	SV Silver	SP Specify Premium Color	
	Voltage	UNV 120-277V	120 120V	240 240V	277 277V	347 ¹ 347V	480 ¹ 480V	¹ Equipped with step down transformer wattage increases nominal 10%.
	Options	DM Dimming 0-10V	REC ² GFCI Receptacle with weatherproof cover	REC ² GFCI Receptacle with padlockable in-use cover	REC ³ USB & Duplex Receptacle with weatherproof cover	REC ⁴ USB & Duplex Receptacle with weatherproof padlockable in-use cover	² See page 6 for details.	

Product Modifications

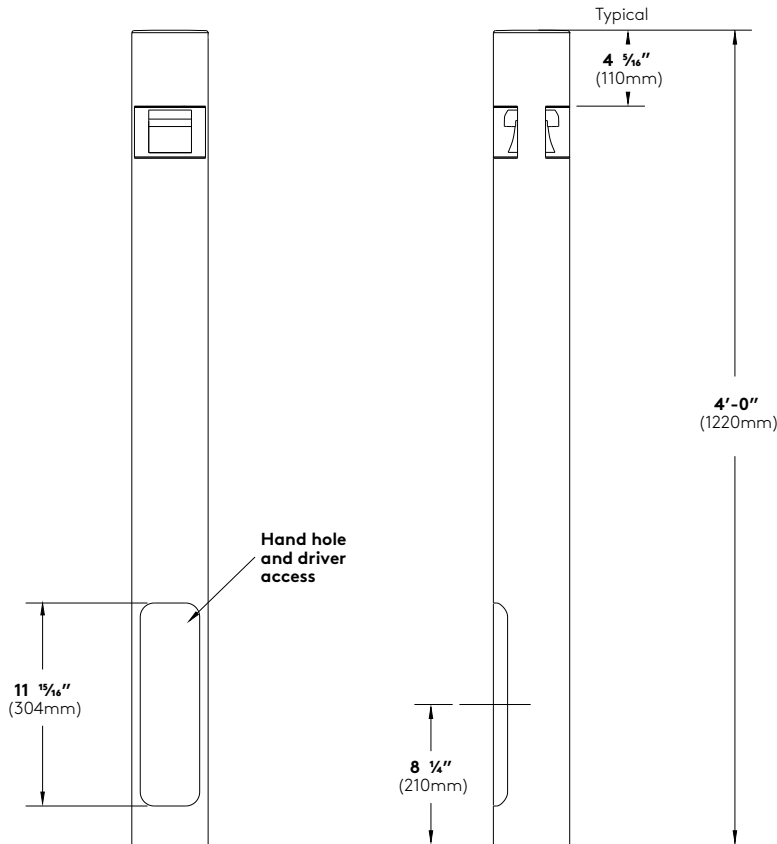
Please list modification requirements for review by factory:

Approvals

Date: _____



LRB-4-D01-XX



Specifications

Fixture Housing - Extruded low-copper, low-iron aluminum fixture body provides corrosion resistance in marine environments.

Gasketing - Continuous gaskets provide weather-proofing, dust, and insect control for LED Module.

LED Array - Mid-power LEDs mounted to metal core PCB and attached to heat sink for maximum thermal performance and life. CCT tolerance within a 3-step MacAdam ellipse and provided with a minimum CRI of 80. LED lumen maintenance L70 >100,000hrs.

LED Optics - Symmetric or Asymmetric distributions created by choosing single or double LED modules. An indirect lighting effect spreads brightness evenly and improves visual appearance.

Surge Protector - Designed to protect luminaire from electrical surge (20kA).

Diffuser - Clear, UV stabilized, extruded polycarbonate cover with minimum wall thickness of 0.125" (3mm).

LED driver - LEDs are driven by RoHS compliant constant current programmable LED driver. Driver includes 0-10V dimming capability to 10%. Driver located on gear tray behind hand hole for easy access and maintenance.

Exterior Luminaire Finish - Selux utilizes a high quality Polyester Powder Coating. All Selux luminaires and poles are finished in our Tiger Drylac certified facility and undergo a five stage intensive pretreatment process where product is thoroughly cleaned, phosphated and sealed. Selux powder coated products provide excellent salt and humidity resistance as well as ultraviolet resistance for color retention. All products are tested in accordance with test specifications for coatings from ASTM and PCI.

Standard exterior colors are White (WH), Black (BK), Semi-Matte Black (BL), Bronze (BZ), and Silver (SV). Selux premium colors (SP) are available, please specify from your Selux color selection.

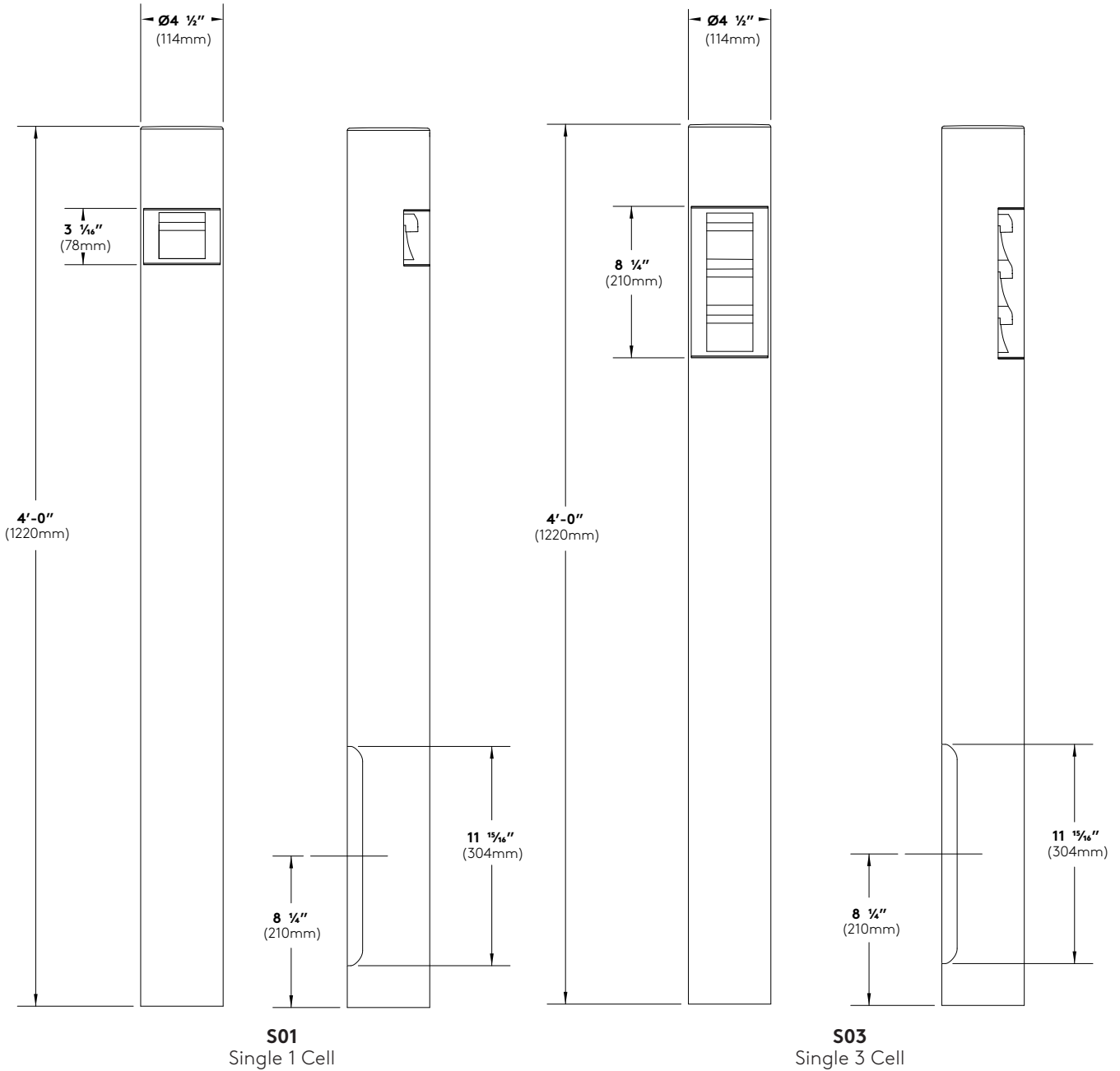
5 Year Limited LED Luminaire Warranty - Selux offers a 5 Year Limited Warranty to the original purchaser that the Line Bollard luminaire shall be free from defects in material and workmanship for up to five (5) years from date of shipment. This limited warranty covers the LED driver and LED array when installed and operated according to Selux instructions. For details, see "Selux Terms and Condition of Sale."

Listings and Ratings: Tested for NRTL Wet Location. Meets IP65 and IK07 standards. LEDs tested to LM-80 standards. Max ambient temperature rating 40°C (104°F). Minimum ambient temperature rating -40°C (-40°F).

Visit selux.us for our LED End of Life recycling policy.

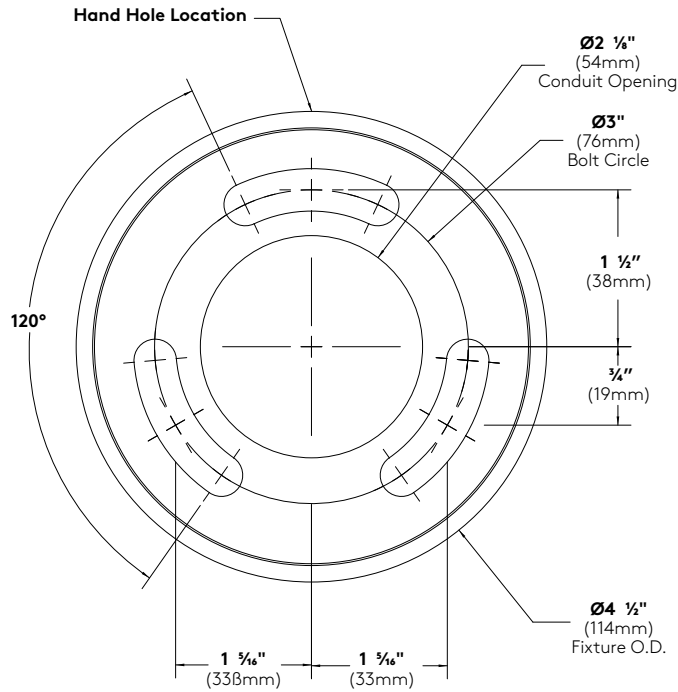
Mounting

LRB-4-XXX



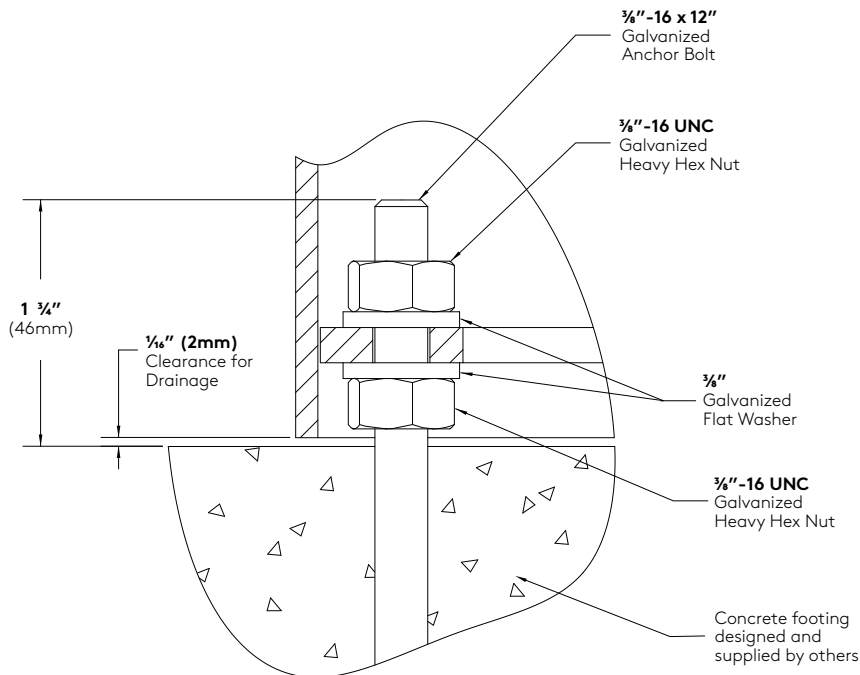
Mounting Information

Standard internal Base Plate



Bolt Circle Detail (not to scale)

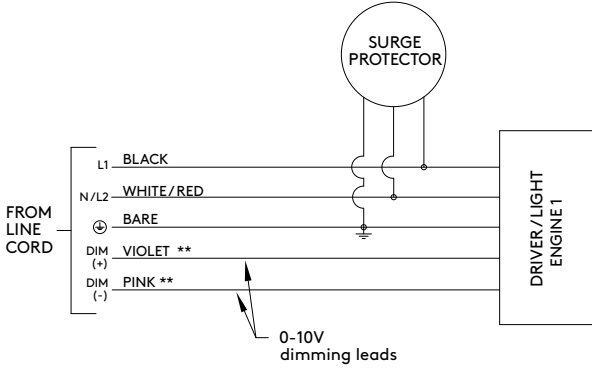
Use caution when setting anchor bolts. Bolt must be vertically straight and centered on dimensions shown.



Wiring Diagrams

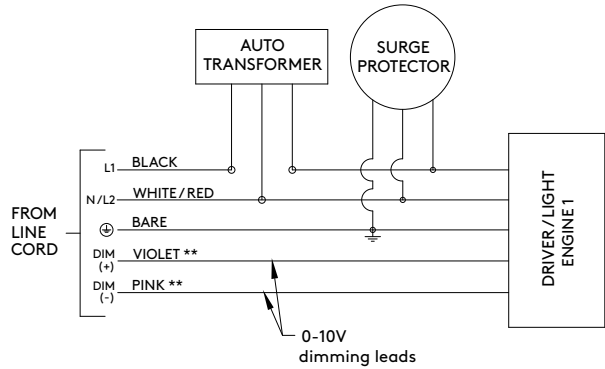
Standard Wiring (120V-480V without Step-down Transformer)

**When dimming is not required cap dimming wires.



Standard Wiring (347/480V with Step-down Transformer)

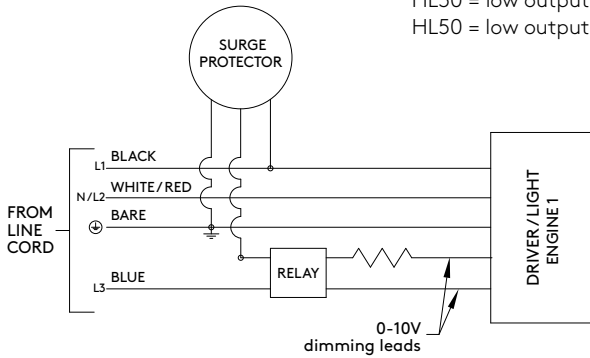
**When dimming is not required cap dimming wires.



Hi-Lo Switching Option (HL) Wiring HL30 & HL50 Only

120V, 240V, 277V. When red is energized, light output will be at "Lo" level. Specify low-level by using one of the 2 levels listed below (i.e. HL30 or HL50). For other combinations, consult factory.

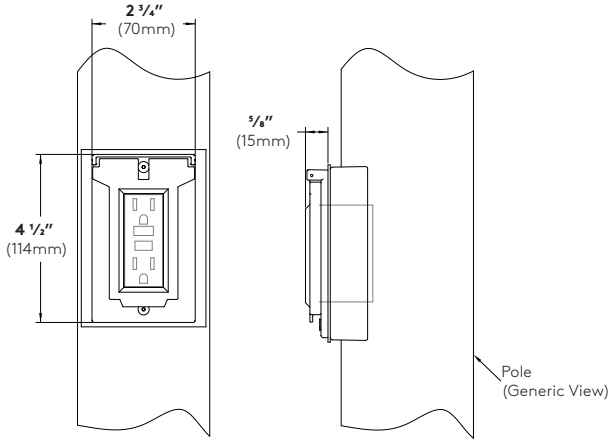
HL30 = low output 30%
HL50 = low output 50%



Wire Designation Table		
Source Voltage (VAC)	Wire Color	Wire Designation
120V, 277V, or 347V	Black	L1
	White	Neutral
208V, 240V, or 480V	Black	L1
	Red	L2
UNV (120V-277V)	Black	L1
	White	Neutral (120/277V) or L2 (208/240V)

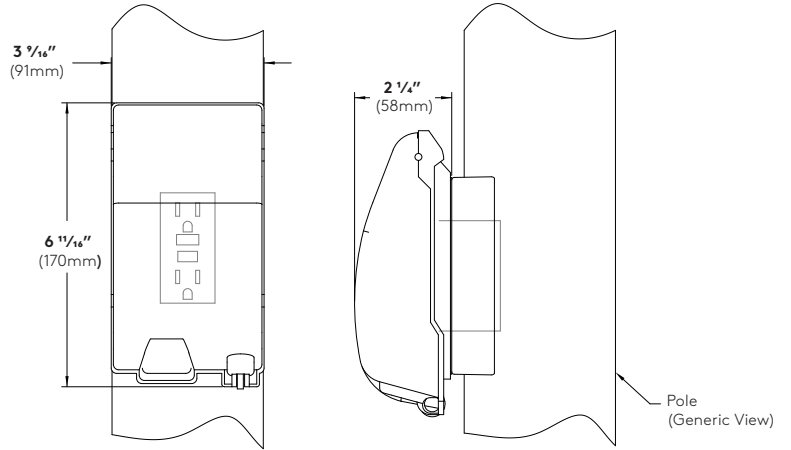
Optional Accessories

REC and REC3



Cover shown in the closed position

REC2 and REC4



Cover shown in the closed position

GFCI Receptacle (REC) - 120V 15A GFCI duplex receptacle with weatherproof, self-closing cover; located 18" (457mm) o.c. from base of pole, in-line with hand hole. Receptacle is intended only for portable tools or other portable equipment to be connected to outlet only when attended by operating personnel (120V only).

USB & Duplex Receptacle (REC3) (not shown) - 120V 20A duplex receptacle with USB combination ports. (1) type A and (1) type C high power 5A, 5V USB outlets. With weatherproof, self-closing cover; located 18" (457mm) o.c. from base of pole, in-line with hand hole. Receptacle is intended only for portable tools or other portable equipment to be connected to outlet only when attended by operating personnel.

REC3 does not incorporate GFCI (Ground Fault Circuit Interrupter) protection, and shall be powered by a GFCI protected branch circuit (by others).

GFCI Receptacle (REC2) - 120V 15A GFCI duplex receptacle with weatherproof, self-closing, padlockable in-use cover; located 18" (457mm) o.c. from base of pole, in-line with hand hole. Receptacle is intended only for portable tools or other portable equipment to be connected to outlet only when attended by operating personnel (120V only).

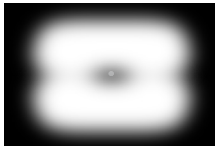
USB & Duplex Receptacle (REC4) (not shown) - 120V 20A duplex receptacle with USB combination ports. (1) type A and (1) type C high power 5A, 5V USB outlets. With weatherproof, self-closing padlockable in-use cover; located 18" (457mm) o.c. from base of pole, in-line with hand hole. Receptacle is intended only for portable tools or other portable equipment to be connected to outlet only when attended by operating personnel.

REC4 does not incorporate GFCI (Ground Fault Circuit Interrupter) protection, and shall be powered by a GFCI protected branch circuit (by others).

Photometry



Asymmetric				
Light Engine	Lumens	CCT	Input Watts	lm/W
S01	250	3000K	7	36
S03	750	3000K	15	50



Symmetric				
Light Engine	Lumens	CCT	Input Watts	lm/W
D01	500	3000K	14	36
D03	1500	3000K	30	50

Line Round Bollard	
Multiplier Chart	
3000K	1.0000
4000K	1.0417