

Date: \_\_\_\_\_ Customer: \_\_\_\_\_

Project: \_\_\_\_\_

Type: \_\_\_\_\_ Qty: \_\_\_\_\_



## Lanova LED Catenary



### Order Code:

<u>      </u> LALC	Series	LALC Lanova LED catenary							
<u>      </u>	Optics	R1 Type I Distribution	R2 Type II Distribution	R3 Type III Distribution	R4 Type IV Distribution	R5S Type V Square	R5R Type V Round	DB Diffuse Bowl	
<u>      </u>	Cylinder	CL Clear long	FL <sup>1</sup> ½ Frosted Long	CT Clear Tapered Cylinder					<sup>1</sup> DB optics only
<u>      </u>	Light Engine	5G150 <sup>2</sup> 1556lm, 15W	5G250 <sup>2</sup> 2477lm, 24W	5G350 3468lm, 33W	5G450 4459lm, 42W				<sup>2</sup> Not Available with DM, HL30, or HL50 <sup>*</sup> Based on R2 distribution and 3000K CCT
<u>      </u>	Power Cord Length	XX <sup>3</sup>						<sup>3</sup> 1ft Increments 5' - 30'	
<u>      </u>	CCT	30 3000K	40 4000K						for other CCT please consult factory
<u>      </u>	Finish	WH White	BK Black	BL Semi-Matte Black	BZ Bronze	SV Silver	SP Specify Premium Color		
<u>      </u>	Voltage	120	208	240	277	347 <sup>4,5</sup>	480 <sup>4,5</sup>	<sup>4</sup> Not available with HL30 or HL50 <sup>5</sup> Requires stepdown transformer, 60 Hz only	
<u>      </u>	Options	DM Dimming (0-10V)	HL30 <sup>6,7</sup> Hi-Lo Switching 30-100%	HL50 <sup>6,7</sup> Hi-Lo Switching 50-100%	MC Mid-Run Connector	HS* House Side Shield			<sup>6</sup> 120, 240, and 277V Only <sup>7</sup> Not available with DM option <sup>*</sup> Not available with R5S, R5R, or DB optics

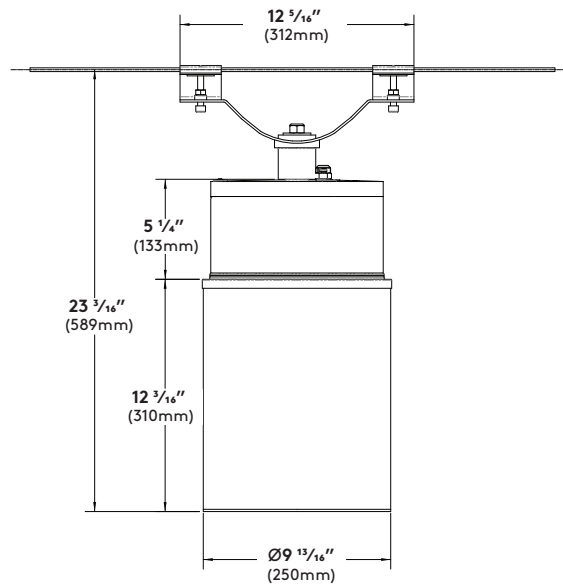
### Product Modifications

Please list modification requirements for review by factory:

### Approvals



Date: \_\_\_\_\_



Net Weight (19.5 lbs)  
EPA = 0.68 ft<sup>2</sup>

## Specifications

### Luminaire Housing/Hanger

Die cast aluminum housing made from low copper marine grade aluminum. Hanger bracket made from stainless steel with stainless steel hardware. Hanger Bracket provides 360° rotation and 15° tilt in either direction.

### Gasketing

(not shown) Continuous UV resistant silicone gasket provides weatherproofing, dust and insect control at all fixture connections.

### LED Array

(not shown) High Flux LEDs mounted to metal core PCB and attached to aluminum heat sink for maximum LED performance and life. CCT tolerance within a 3 step bin and provided with a minimum CRI of 80. LED light engine has a reported lumen maintenance of 93% at 50,000 hours. L70 calculated greater than 100,000 hours.

### LED Optics

Clear or half frosted UV stabilized acrylic outer cylinder creates the optical chamber. Technical Optics (R1, R2, R3, R4, R5S and R5R) use Selux signature light pattern acrylic lens holder to secure proprietary silicone optics. Diffuser Bowl (DB) option made of highly diffuse UV stabilized acrylic hides LED source and provides a pleasant/soft light quality.

### LED Driver

LEDs are driven by RoHS compliant constant current programmable LED driver. Driver includes 0-10V dimming to 10%, meets the requirements of IP65 and includes a 5 Year warranty.

### Surge Protector

(not shown) Independent surge protector device designed to protect luminaire from electrical surge up to 20kA.

### Power Cord

(not shown) UV resistant black SJ power cord pre-installed at factory. Please specify power cord length available in 1' increments from 5' - 30'.

Standard exterior colors are White (WH), Black (BK), Semi-Matte Black (BL), Bronze (BZ), and Silver (SV). Selux premium colors (SP) are available, please specify from your Selux color selection guide.

### 5 Year Limited LED Luminaire Warranty -

Selux offers a 5 Year Limited Warranty to the original purchaser that the Lanova LED luminaire shall be free from defects in material and workmanship for up to five (5) years from date of shipment. This limited warranty covers the LED driver and LED array when installed and operated according to Selux instructions. For details, see "Selux Terms and Condition of Sale."

**Listings and Ratings:** Luminaire tested to IP65 and LM-79 standards. LEDs tested to LM-80 standards.

**Luminaire suitable for ambient temperatures from 40°C (104°F) maximum to -40°C (-40°F) minimum.**

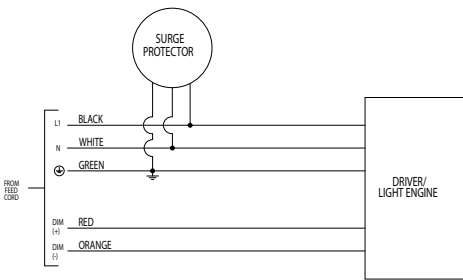
**NRTL Listed (i.e. UL, CSA)**

**Visit [selux.us](http://selux.us) for our LED End of Life recycling policy.**

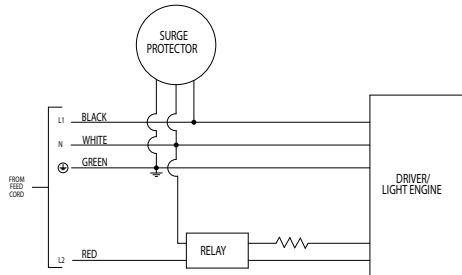
ELECTRICAL SPECIFICATIONS									
CCT	3000K/4000K								
CYLINDER	CL Cylinder Standard						FL Cylinder Standard		
OPTICS	R1, R2, R3, and R4			R5R and R5S			DB		
Light Engine/ Electrical Specs	Delivered Lumens (lm)	Wattage (W) 120-277 / 347-480	Efficacy (lm/W)	Delivered Lumens (lm)	Wattage (W) 120-277 / 347-480	Efficacy (lm/W)	Delivered Lumens (lm)	Wattage (W) 120-277 / 347-480	Efficacy (lm/W)
5G150	1316	14.2 / 18	92.9	1488	14.2 / 18	105.0	1327	14.2 / 18	93.5
5G250	2193	23.6 / 27	92.9	2480	23.6 / 27	105.0	2211	23.6 / 27	93.5
5G350	3070	33.1 / 35	92.9	3471	33.1 / 35	105.0	3096	33.1 / 35	93.5
5G450	3948	42.5 / 44	92.9	4463	42.5 / 44	105.0	3981	42.5 / 44	93.5

### Wiring

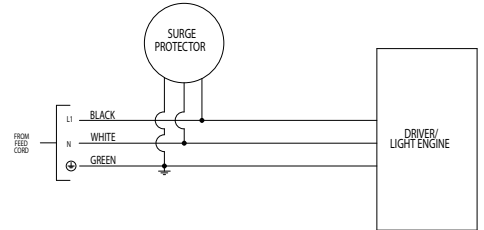
0-10V Dimming Option (DM) Wiring for 120-277V  
100% light output at 10V, down to 1% light output at 0V.



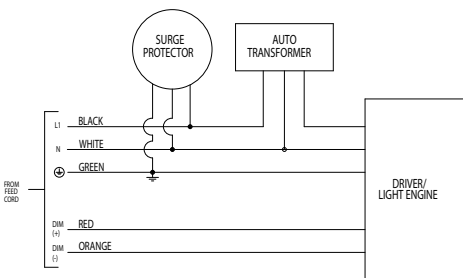
Hi-Lo Switching Option (HL30/HL50) Wiring  
120/240/277V. When red is energized, light output will be at "Lo" level.



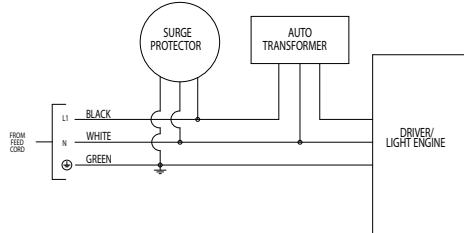
Standard Wiring for 120-277V  
Standard wiring for 120-277V with no additional options.



0-10V Dimming Option (DM) Wiring for 347/480V  
100% light output at 10V, down to 1% light output at 0V.



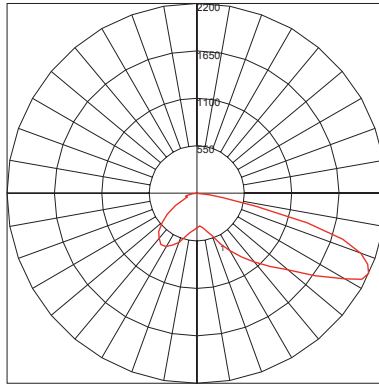
Standard Wiring for 347/480V  
Standard wiring for 347/480V with no additional options.



**Photometry**

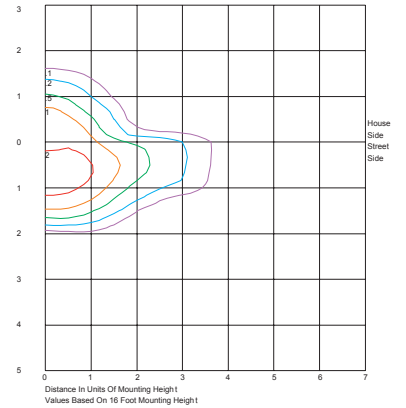
**R1 / 42.5W LED / 3000K CCT**

Catalog #: LALC-R1-CL-X-5G450-30-XX-120  
 Maximum candela of 2200 at 65° from vertical.  
 Mounting Height = 16' (4.87m)  
 3948 Delivered Lumens  
 93 Lumens per Watt  
 B1-U1-G1



Maximum Candela = 2199.966 Located At Horizontal Angle = 75, Vertical Angle = 65  
 # 1 - Vertical Plane Through Horizontal Angles (75 - 255) (Through Max. Cd.)

ISOFOOTCANDLE LINES OF HORIZONTAL ILLUMINANCE

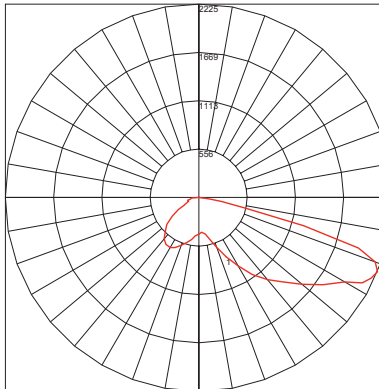


DOWNLOAD IES FILES:

<http://www.selux.us/fileadmin/us/photometry/Exterior/Lanova.zip>

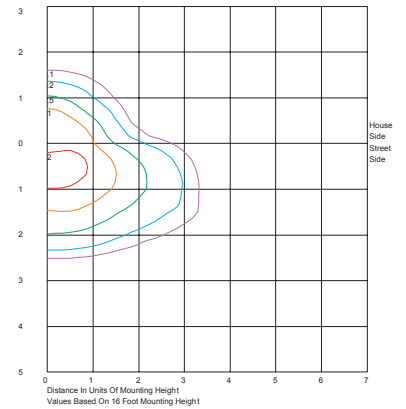
**R2 / 42.5W LED / 3000K CCT**

Catalog #: LALC-R2-CL-X-5G450-30-XX-120  
 Maximum candela of 2225 at 67.5° from vertical.  
 Mounting Height = 16' (4.87m)  
 3948 Delivered Lumens  
 93 Lumens per Watt  
 B1-U1-G1



Maximum Candela = 2225.177 Located At Horizontal Angle = 65, Vertical Angle = 67.5  
 # 1 - Vertical Plane Through Horizontal Angles (65 - 245) (Through Max. Cd.)

ISOFOOTCANDLE LINES OF HORIZONTAL ILLUMINANCE

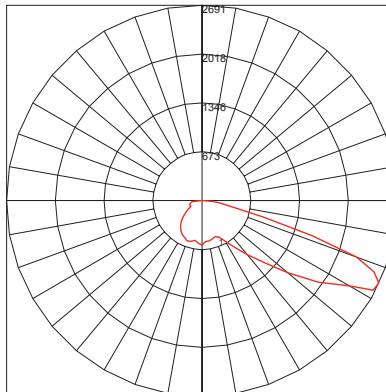


DOWNLOAD IES FILES:

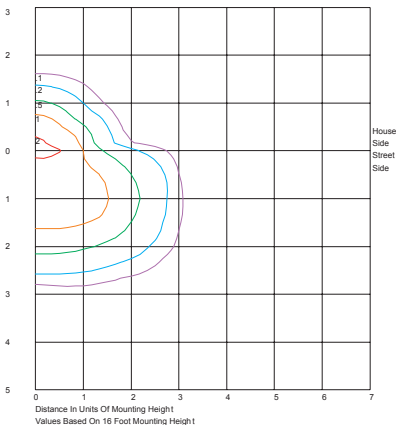
<http://www.selux.us/fileadmin/us/photometry/Exterior/Lanova.zip>

**R3 / 42.5W LED / 3000K CCT**

Catalog #: LALC-R3-CL-X-5G450-30-XX-120  
 Maximum candela of 2691 at 65° from vertical.  
 Mounting Height = 16' (4.87m)  
 3948 Delivered Lumens  
 93 Lumens per Watt  
 B1-U1-G1



Maximum Candela = 2691.332 Located At Horizontal Angle = 45, Vertical Angle = 65  
 # 1 - Vertical Plane Through Horizontal Angles (45 - 225) (Through Max. Cd.)



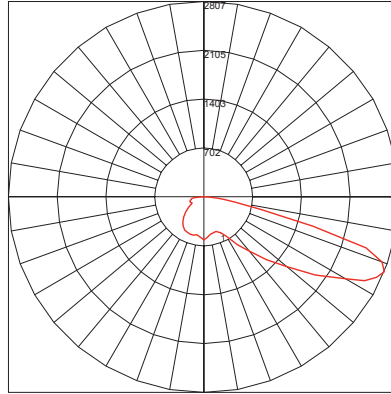
DOWNLOAD IES FILES:

<http://www.selux.us/fileadmin/us/photometry/Exterior/Lanova.zip>

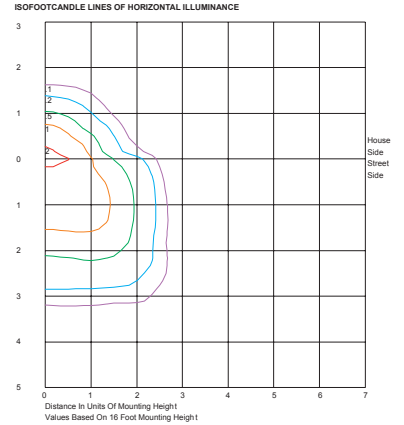
**Photometry**

R4 / 42.5W LED / 3000K CCT

Catalog #: LALC-R4-CL-X-5G450-30-XX-120  
 Maximum candela of 2807 at 67.5° from vertical.  
 Mounting Height = 16' (4.87m)  
 3948 Delivered Lumens  
 93 Lumens per Watt  
 B1-U1-G1



Maximum Candela = 2807.07 Located At Horizontal Angle = 35, Vertical Angle = 67.5  
 # 1 - Vertical Plane Through Horizontal Angles (35 - 215) (Through Max. Cd.)

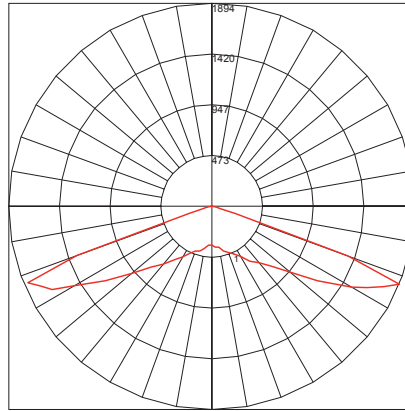


DOWNLOAD IES FILES:

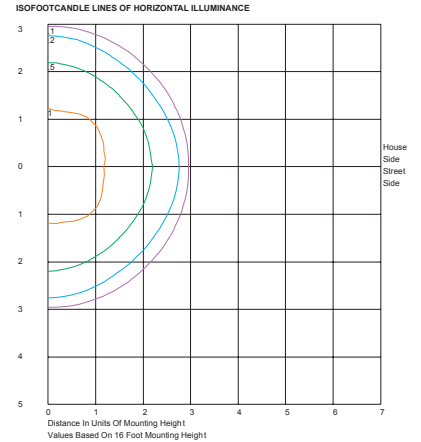
<http://www.selux.us/fileadmin/us/photometry/Exterior/Lanova.zip>

R5R/ 42.5W LED / 3000K CCT

Catalog #: LALC-R4R-CL-X-5G450-30-XX-120  
 Maximum candela of 1894 at 67.5° from vertical.  
 Mounting Height = 16' (4.87m)  
 4463 Delivered Lumens  
 105 Lumens per Watt  
 B2-U1-G1



Maximum Candela = 1893.897 Located At Horizontal Angle = 0, Vertical Angle = 67.5  
 # 1 - Vertical Plane Through Horizontal Angles (0 - 180) (Through Max. Cd.)

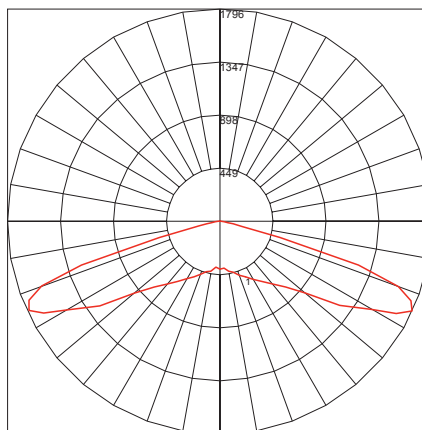


DOWNLOAD IES FILES:

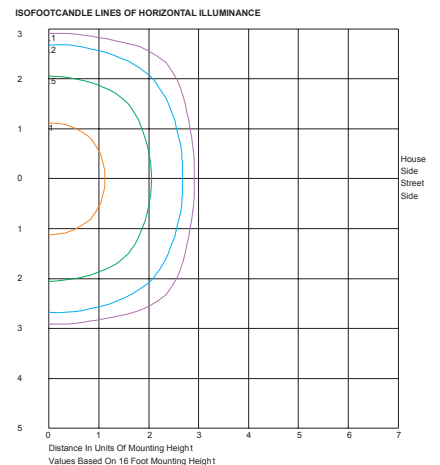
<http://www.selux.us/fileadmin/us/photometry/Exterior/Lanova.zip>

R5S/ 42.5W LED / 3000K CCT

Catalog #: LALC-R4S-CL-X-5G450-30-XX-120  
 Maximum candela of 1796 at 65° from vertical.  
 Mounting Height = 16' (4.87m)  
 4463 Delivered Lumens  
 105 Lumens per Watt  
 B2-U1-G1



Maximum Candela = 1795.909 Located At Horizontal Angle = 45, Vertical Angle = 65  
 # 1 - Vertical Plane Through Horizontal Angles (45 - 225) (Through Max. Cd.)



DOWNLOAD IES FILES:

<http://www.selux.us/fileadmin/us/photometry/Exterior/Lanova.zip>

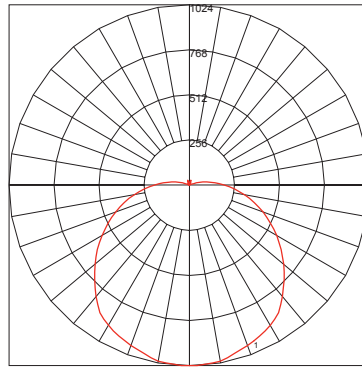
**Photometry**

DB / 42.5W LED / 3000K CCT

Catalog #: LALC-DB-FL-X-5G450-30-XX-120  
Maximum candela of 1024 at 2.5° from vertical.  
Mounting Height = 16' (4.87m)  
3981 Delivered Lumens  
94 Lumens per Watt  
B1-U3-G2

**DOWNLOAD IES FILES:**

<http://www.selux.us/fileadmin/us/photometry/Exterior/Lanova.zip>



Maximum Candela = 1023.981 Located At Horizontal Angle = 0, Vertical Angle = 2.5  
# 1 - Vertical Plane Through Horizontal Angles (0 - 180) (Through Max. Cd.)

ISOFOOTCANDLE LINES OF HORIZONTAL ILLUMINANCE

