

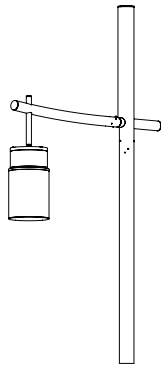
Date: _____ Customer: _____

Project: _____

Type: _____ Qty: _____



Lanova LED



Order Code: _____

Pole Order Code: _____

LAL	Series	LAL Lanova LED						Series	Height	Finish	Options
	Optics	R1 Type I Distribution	R2 Type II Distribution	R3 Type III Distribution	R4 Type IV Distribution	R5S Type V Square	R5R Type V Round			DB Diffuse Bowl	
	Mounting	1 Single	2 Double	W Wall							
	Cylinder	CL Clear long	FL¹ 1/2 Frosted Long	CT Clear Tapered	¹ DB optics only						
	Light Engine	5G150² 1556lm, 15W	5G250² 2477lm, 24W	5G350 3468lm, 33W	5G450 4459lm, 42W						² Not Available with DM, HL30, or HL50 [*] Based on R2 distribution and 3000K CCT
	Power Cord Length	8 8'	10 10'	12 12'	14 14'	16 16'	18 18'	XX³ XX'	³ Add length of arm + height of pole to determine power cord length		
	CCT	30 3000K	40 4000K							for other CCT please consult factory	
	Finish	WH White	BK Black	BL Semi-Matte Black	BZ Bronze	SV Silver	SP Specify Premium Color				
	Voltage	120	208	240	277	347^{4,5}	480^{4,5}	⁴ Not available with HL30 or HL50 ⁵ Requires stepdown transformer, 60 Hz only			
	Options	DM Dimming (0-10V)	HL30^{6,7} Hi-Lo Switching 30-100%	HL50^{6,7} Hi-Lo Switching 50-100%	MC Mid-Run Connector	HS* House Side Shield	⁶ 120, 240, and 277V Only ⁷ Not available with DM option [*] Not available with R5S, R5R, or DB optics				

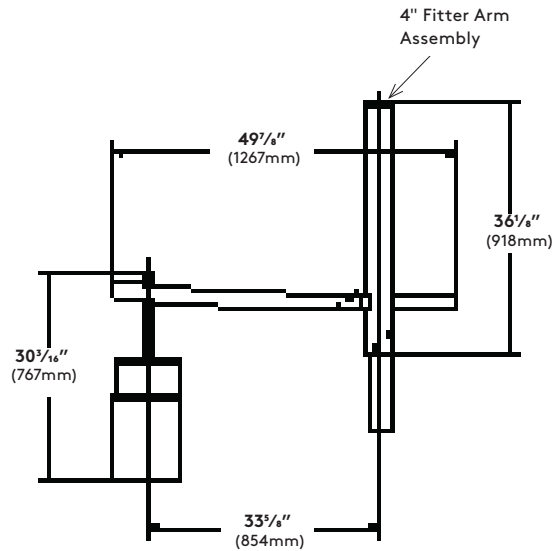
Product Modifications

Please list modification requirements for review by factory:

Approvals



Date: _____



Net Weight (19.5 lbs)
EPA = 0.68 ft²

Specifications

Luminaire Housing

Die cast aluminum housing made from low copper marine grade aluminum.

Gasketing

(not shown) Continuous UV resistant silicone gasket provides weatherproofing, dust and insect control at all fixture connections.

LED Array

(not shown) High Flux LEDs mounted to metal core PCB and attached to aluminum heat sink for maximum LED performance and life. CCT tolerance within a 3 step bin and provided with a minimum CRI of 80. LED light engine has a reported lumen maintenance of 93% at 50,000 hours. L70 calculated greater than 100,000 hours.

LED Optics

Clear half frosted, or tapered UV stabilized acrylic outer cylinder creates the optical chamber. Technical Optics (R1, R2, R3, R4, R5S and R5R) use Selux signature light pattern acrylic lens holder to secure proprietary silicone optics. Diffuser Bowl (DB) option made of highly diffuse UV stabilized acrylic hides LED source and provides a pleasant/soft light quality.

LED Driver

LEDs are driven by RoHS compliant constant current programmable LED driver. Driver includes 0-10V dimming to 10%, meets the requirements of IP65 and includes a 5 Year warranty.

Surge Protector

(not shown) Independent surge protector device designed to protect luminaire from electrical surge up to 20kA.

Power Cord

(not shown) UV resistant black SJ power cord pre-installed at factory. Please specify power cord length available in 1' increments from 5' – 30'.

Standard exterior colors are White (WH), Black (BK), Semi-Matte Black (BL), Bronze (BZ), and Silver (SV). Selux premium colors (SP) are available, please specify from your Selux color selection guide.

5 Year Limited LED Luminaire Warranty -

Selux offers a 5 Year Limited Warranty to the original purchaser that the Lanova LED luminaire shall be free from defects in material and workmanship for up to five (5) years from date of shipment. This limited warranty covers the LED driver and LED array when installed and operated according to Selux instructions. For details, see "Selux Terms and Condition of Sale."

Listings and Ratings: Luminaire tested to IP65 and LM-79 standards. LEDs tested to LM-80 standards.

Luminaire suitable for ambient temperatures from 40°C (104°F) maximum to -40°C (-40°F) minimum.

NRTL Listed (i.e. UL, CSA)

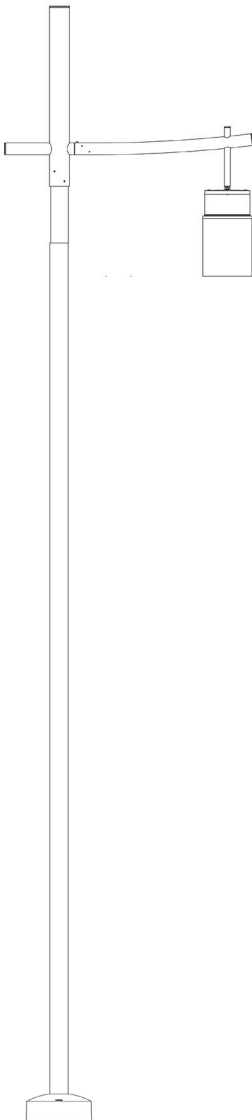
Visit selux.us for our LED End of Life recycling policy.

Mounting

1 - Single Arm

EPA =
Weight =

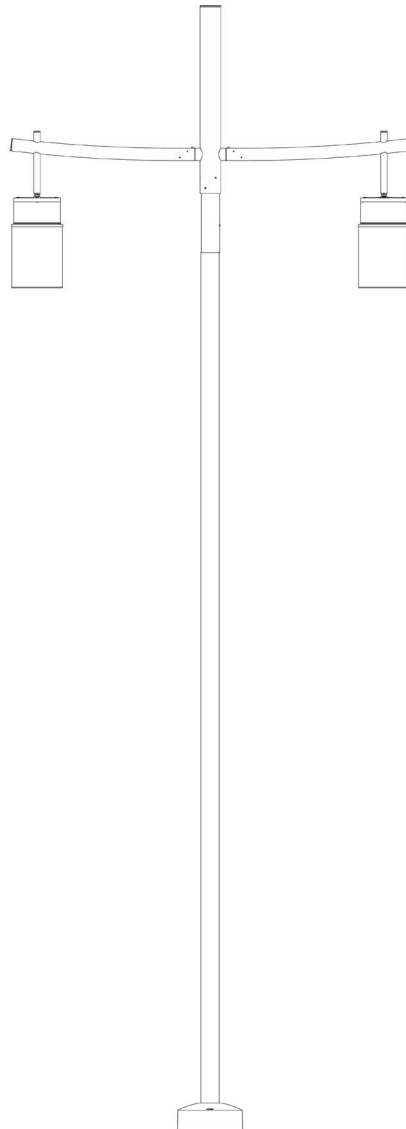
49⁷/₈"
(1267mm)



2 - Double Arm

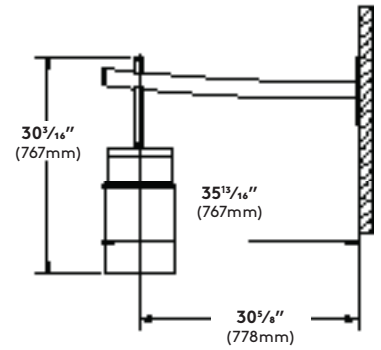
EPA =
Weight =

77⁷/₁₆"
(1970mm)



W - Wall Mount Arm

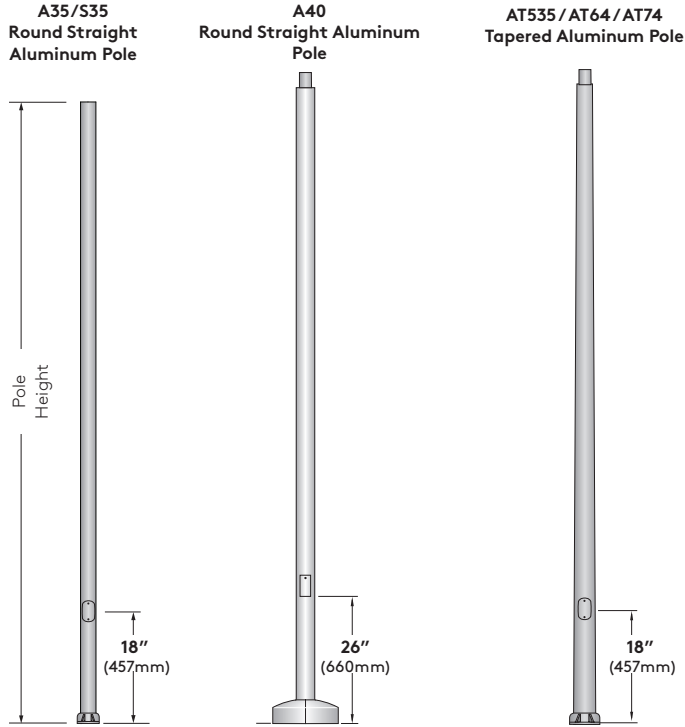
EPA =
Weight =



Pole Height

Pole Information

Refer to pole specification sheets for construction details, anchorage information and additional options.

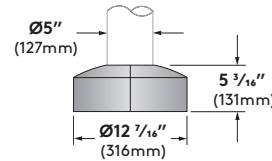


Optional Base Covers for Poles

Die cast aluminum.

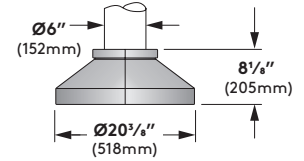
BC3 Optional Base Cover (AT535)

Die cast aluminum, two-piece field installable base cover.



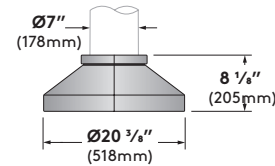
BC9 Optional Base Cover (AT64)

Die cast aluminum, two-piece field installable base cover.



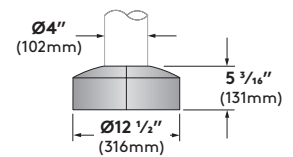
BC10 Optional Base Cover (AT74)

Die cast aluminum, two-piece field installable base cover.



BC13 Optional Base Cover (A40)

Die cast aluminum, two-piece field installable base cover.



Pole Data Chart Pole Series	Bolt Circle	Wind Speed (mph)										Height	Finish	Options	
		90	100	110	120	130	140	150	160	170	180				
A35 3 1/2" Round Straight Aluminum Pole	7 3/4"	4.8	3.5	2.6	1.8	1.3	0.9	0.7	0.6	-	-	12 12ft	WH White	BC3 Decorative Cast Aluminium Base Cover (AT535)	
A40 4" Round Straight Aluminum Pole	7 1/2"	9.3	7.2	5.6	4.5	3.7	3.1	2.7	2.3	2.0	1.7			BK Black	BC9 Decorative Cast Aluminium Base Cover (AT64)
AT535 5" to 3 1/2" Round Tapered Aluminum Pole	8 5/8"	13.4	10.5	8.4	6.9	5.8	4.9	4.2	3.6	3.2	2.8			BL Semi-Matte Black	BC10 Decorative Cast Aluminium Base Cover (AT74)
AT64 6" to 4" Round Tapered Aluminum Pole	9 1/2"	20.3	16.1	13.1	10.9	9.2	7.9	6.8	5.9	5.2	4.5			BZ Bronze	BC13 Decorative Cast Aluminium Base Cover (A40)
A35 3 1/2" Round Straight Aluminum Pole	7 3/4"	3.5	2.4	1.6	1.0	0.5	-	-	-	-	-	14 14ft	SV Silver	T35 Supplied with 3/2" diameter tenon, 4 1/2" high (use for A40, AT64, AT74 only)	
A40 4" Round straight Aluminum Pole	7 1/2"	10.3	7.9	6.1	4.9	4.0	3.4	2.9	2.5	2.1	1.8			SP Specify Premium Color	REC1 GFCI Receptacle with weather-proof cover
AT535 5" to 3 1/2" Round Tapered Aluminum Pole	8 5/8"	11.2	8.7	6.9	5.5	4.6	3.8	3.3	2.8	2.4	2.1			REC2 GFCI Receptacle with weather-proof padlockable in-use cover	
AT64 6" to 4" Round tapered Aluminum Pole	9 1/2"	17.2	13.6	11.0	9.1	7.6	6.5	5.6	4.8	4.2	3.7			REC3 USB and Duplex Receptacle with weather-proof cover	
A35 3 1/2" Round Straight Aluminum Pole	7 3/4"	2.1	1.2	0.6	-	-	-	-	-	-	-	16 16ft	SP Specify Premium Color	REC4 USB and Duplex Receptacle with weather-proof padlockable in-use cover	
A40 4" Round straight Aluminum Pole	7 1/2"	8.3	6.2	4.7	3.6	3.0	2.5	2.1	1.7	1.5	1.2			Motion Sensor w/ Optional Photocell	
AT535 5" to 3 1/2" Round tapered Aluminum Pole	8 5/8"	9.1	6.9	5.4	4.3	3.4	2.9	2.4	2.0	1.7	1.5				
AT64 6" to 4" Round tapered Aluminum Pole	9 1/2"	14.3	11.2	9.0	7.4	6.2	5.2	4.4	3.8	3.3	2.9				
A40 4" Round straight Aluminum Pole	7 1/2"	6.6	4.8	3.5	2.6	2.1	1.7	1.4	1.1	0.9	0.7	18 18ft	SP Specify Premium Color		
AT535 5" to 3 1/2" Round tapered Aluminum Pole	8 5/8"	9.2	7.0	5.4	4.2	3.4	2.8	2.3	2.0	1.7	1.4				
AT64 6" to 4" Round tapered Aluminum Pole	9 1/2"	11.9	9.2	7.3	6.0	4.9	4.2	3.5	3.0	2.6	2.2				
AT74 7" to 4" Round tapered Aluminum Pole	10 5/8"	17.5	13.8	11.2	9.2	7.7	6.5	5.6	4.8	4.1	3.5				

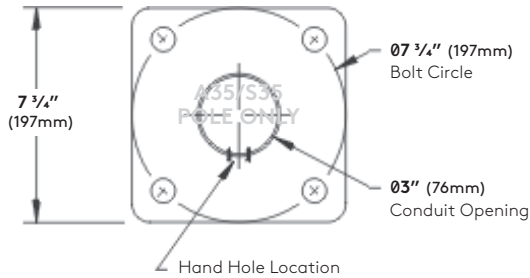
Allowable EPA calculated according to AASHTO 1994 and include allowance for 1/3 gust factor. See Mounting Configuration pages for fixture arm weight and EPA values.

Pole Information

Refer to pole specification sheets for construction details, anchorage information and additional options.

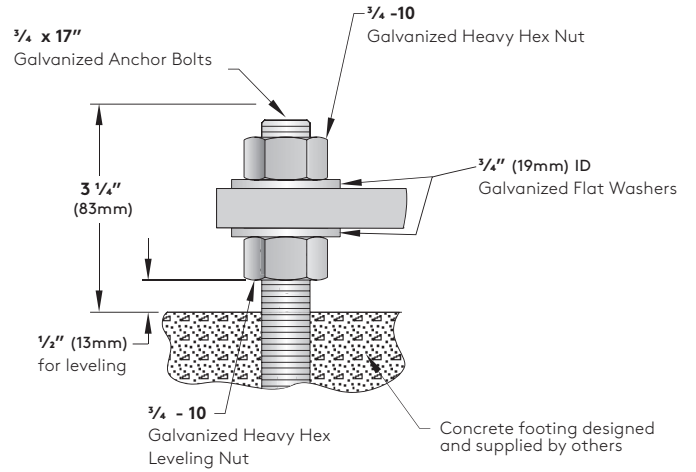
Bolt Circle for A35 & S35

Use caution when setting anchor bolts. Bolts must be vertically straight and centered on dimensions shown



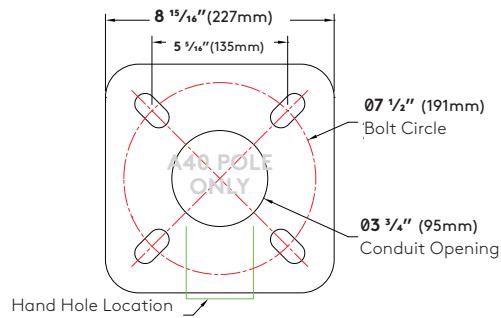
Note: Adequate drainage must be provided in concrete foundation.

Anchor Bolt Detail for A35 & S35



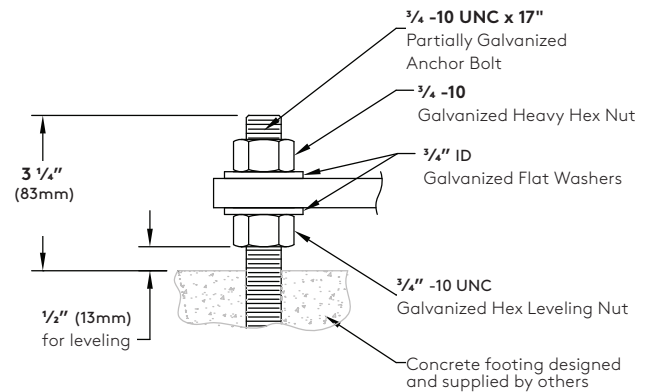
Bolt Circle for A40

Use caution when setting anchor bolts. Bolts must be vertically straight and centered on dimensions shown



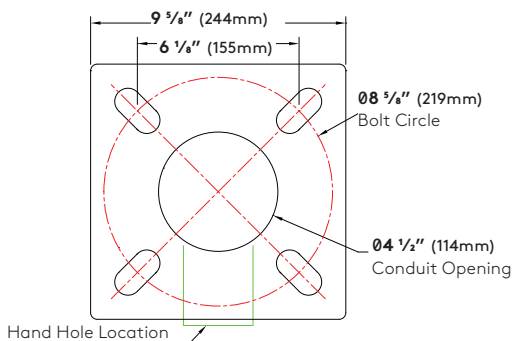
Note: Adequate drainage must be provided in concrete foundation.

Anchor Bolt Detail for A40

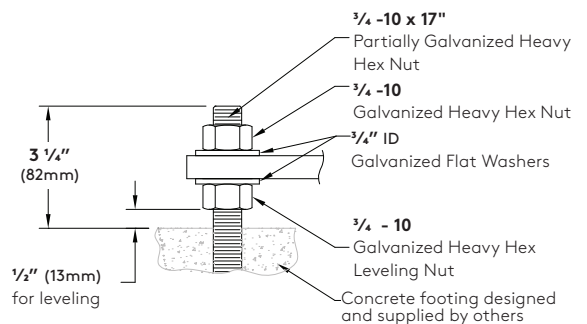


Bolt Circle for AT535

Use caution when setting anchor bolts. Bolts must be vertically straight and centered on dimensions shown



Anchor Bolt Detail for AT535

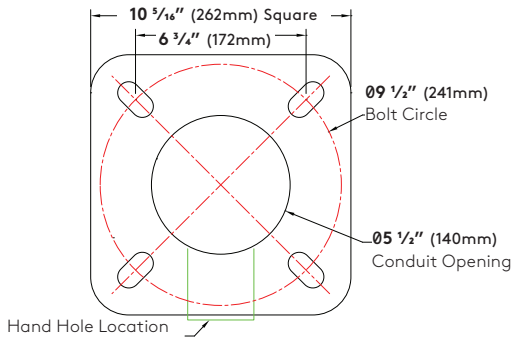


Pole Information

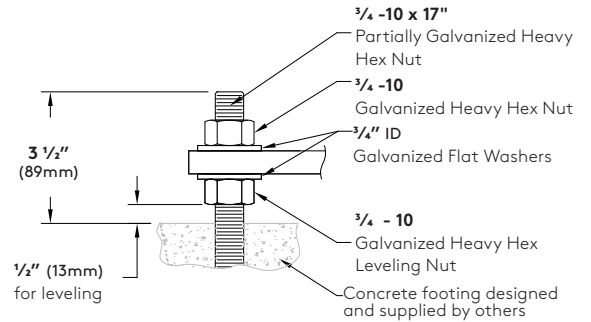
Refer to pole specification sheets for construction details, anchorage information and additional options.

Bolt Circle for AT64

Use caution when setting anchor bolts. Bolts must be vertically straight and centered on dimensions shown

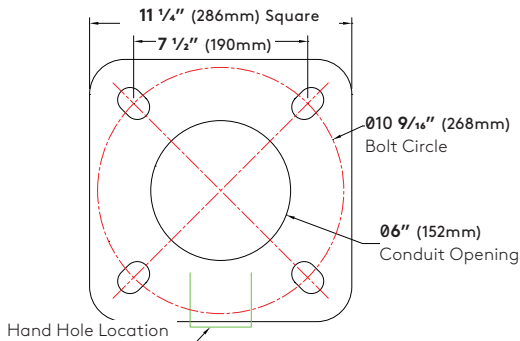


Anchor Bolt Detail for AT64

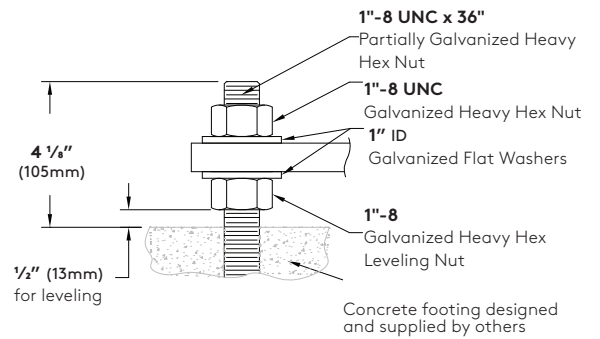


Bolt Circle for AT74

Use caution when setting anchor bolts. Bolts must be vertically straight and centered on dimensions shown



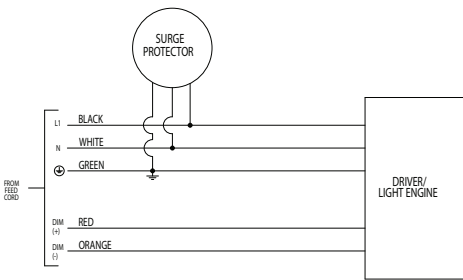
Anchor Bolt Detail for AT74



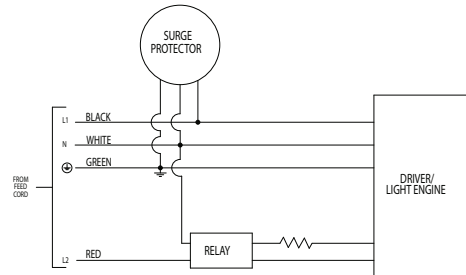
ELECTRICAL SPECIFICATIONS									
CCT	3000K/4000K								
CYLINDER	CL Cylinder Standard						FL Cylinder Standard		
OPTICS	R1, R2, R3, and R4			R5R and R5S			DB		
Light Engine/ Electrical Specs	Delivered Lumens (lm)	Wattage (W) 120-277 / 347-480	Efficacy (lm/W)	Delivered Lumens (lm)	Wattage (W) 120-277 / 347-480	Efficacy (lm/W)	Delivered Lumens (lm)	Wattage (W) 120-277 / 347-480	Efficacy (lm/W)
5G150	1316	14.2 / 18	92.9	1488	14.2 / 18	105.0	1327	14.2 / 18	93.5
5G250	2193	23.6 / 27	92.9	2480	23.6 / 27	105.0	2211	23.6 / 27	93.5
5G350	3070	33.1 / 35	92.9	3471	33.1 / 35	105.0	3096	33.1 / 35	93.5
5G450	3948	42.5 / 44	92.9	4463	42.5 / 44	105.0	3981	42.5 / 44	93.5

Wiring

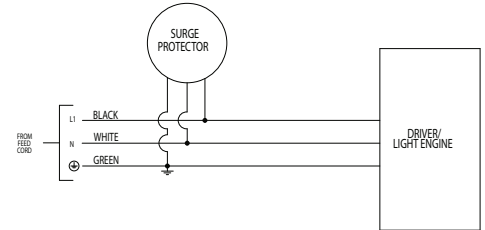
0-10V Dimming Option (DM) Wiring for 120-277V
100% light output at 10V, down to 1% light output at 0V.



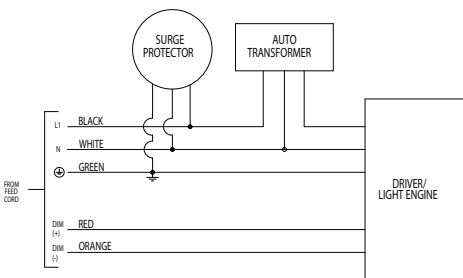
Hi-Lo Switching Option (HL30/HL50) Wiring
120/240/277V. When red is energized, light output will be at "Lo" level.



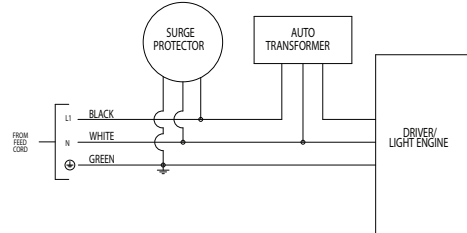
Standard Wiring for 120-277V
Standard wiring for 120-277V with no additional options.



0-10V Dimming Option (DM) Wiring for 347/480V
100% light output at 10V, down to 1% light output at 0V.



Standard Wiring for 347/480V
Standard wiring for 347/480V with no additional options.

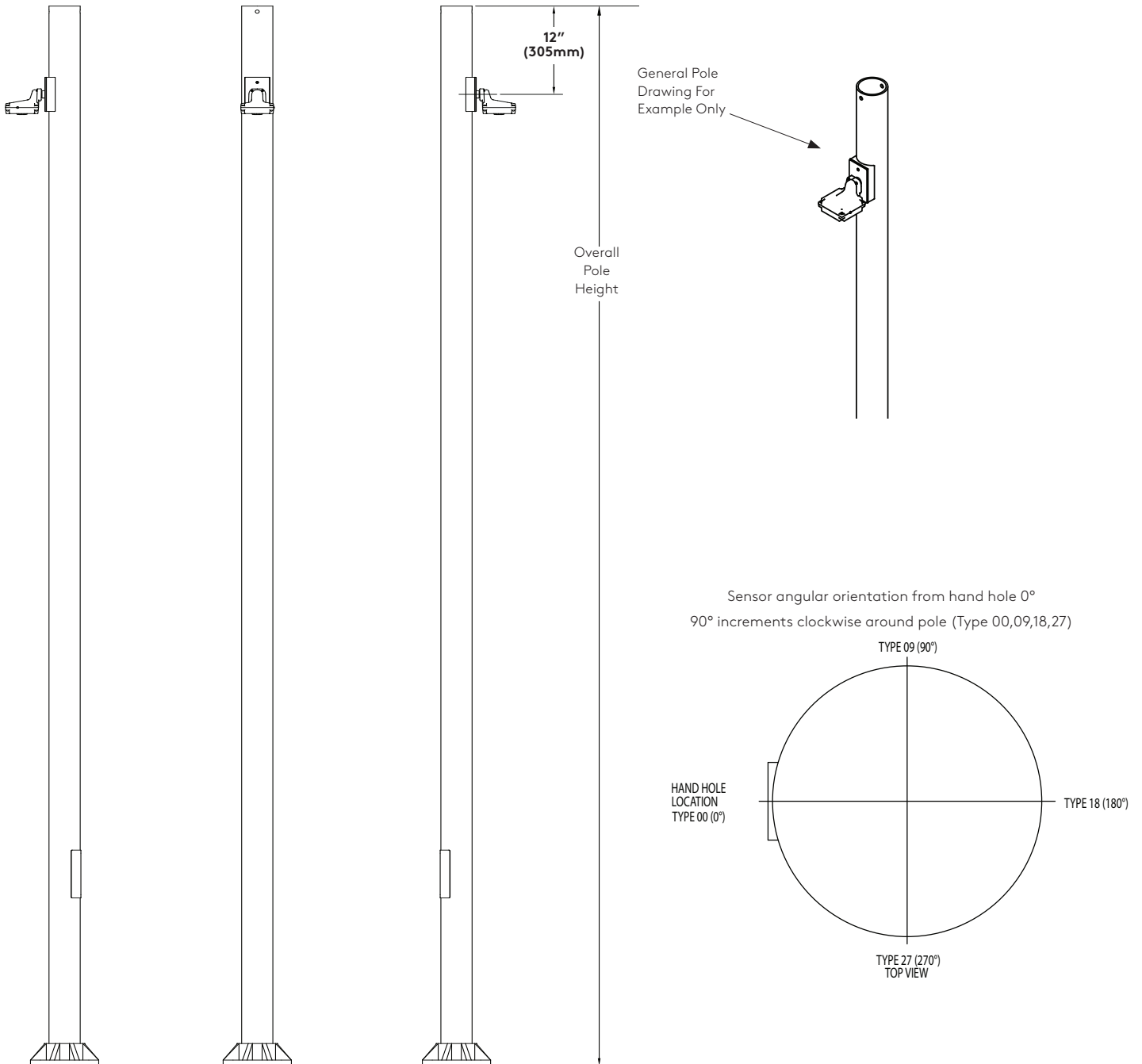


Pole Motion Sensor

The Selux outdoor rated sensor incorporates Passive Infrared (PIR) technology for motion sensing and also includes a built in photocell. Designed to mount directly through a 1/2" KO in a single gang faceplate on pole/column, the SBO utilizes 100% Digital Passive Infrared (PIR) technology that is tuned for walking size while preventing false tripping from the environment.

Series	Optics	Hand Hole Orientation	Program	Color	Photocell Feature	Voltage
MS Motion Sensor	1 270° coverage - Single Sensor	00	D0 (0V=0%)	WH White	Y Yes	UNV
		09	D1 (1V=10%)	BK Black	N No	347
		18	D3 (3V=30%)	BZ Bronze		480
		27	D5 (5V=50%)			

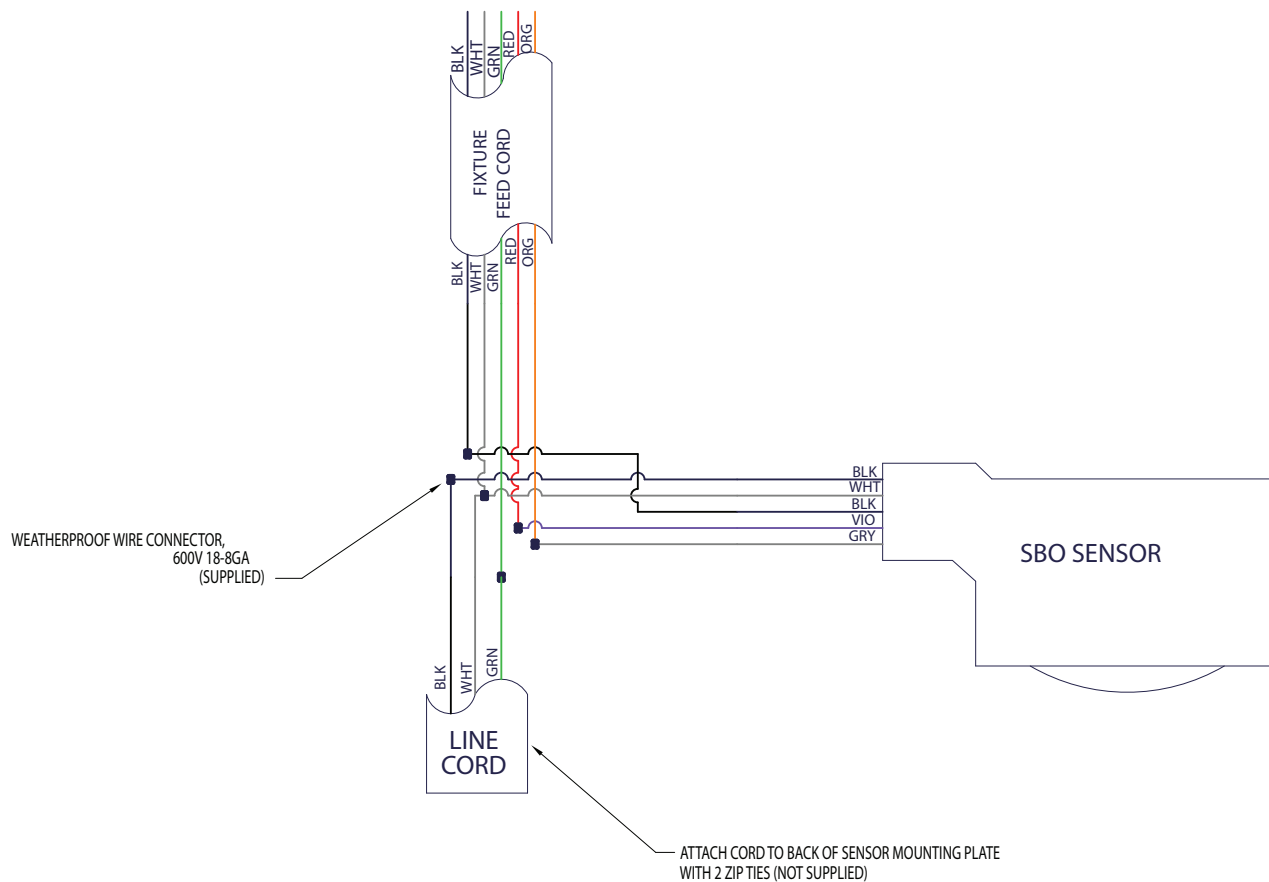
NOTE: Motion sensor comes programmed at 30% dimmed level with a 5 min. delay as default. All programming required after shipping by others.



Pole Motion Sensor

- 100% Digital PIR Detection, excellent RF Immunity
- 270° coverage pattern
- Up to 30ft mounting
- IP66 Rated for outdoor applications
- Built-in 1kV surge protection
- No minimum load requirements
- Made for LED light source
- Interchangeable hot and load wires - impossible to wire backwards
- Adjustable time delays, max/min dim levels and ramp rates
- Programming button accessible without opening sensor or removing gaskets
- No field calibration or sensitivity adjustments required
- Non-volatile setting memory
- Convenient test mode
- Suitable for Title 24 applications

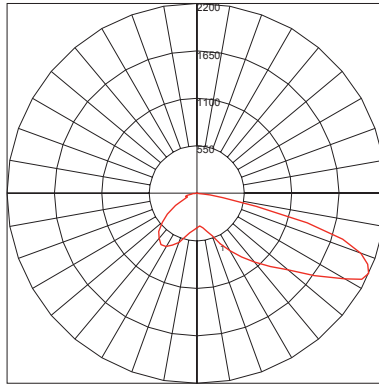
Motion Sensor Wiring Diagram



Photometry

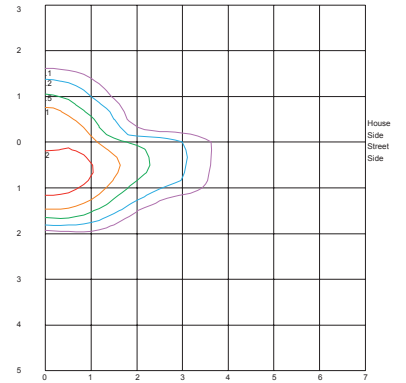
R1 / 42.5W LED / 3000K CCT

Catalog #: LAL-R1-CL-X-5G450-30-XX-120
 Maximum candela of 2200 at 65° from vertical.
 Mounting Height = 16' (4.87m)
 3948 Delivered Lumens
 93 Lumens per Watt
 B1-U1-G1



Maximum Candela = 2199.966 Located At Horizontal Angle = 75, Vertical Angle = 65
 # 1 - Vertical Plane Through Horizontal Angles (75 - 255) (Through Max. Cd.)

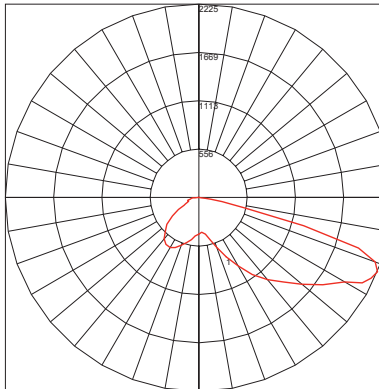
ISOFOOTCANDLE LINES OF HORIZONTAL ILLUMINANCE



Distance In Units Of Mounting Height
 Values Based On 16 Foot Mounting Height

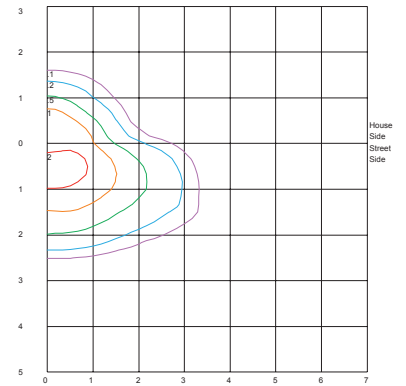
R2 / 42.5W LED / 3000K CCT

Catalog #: LAL-R2-CL-X-5G450-30-XX-120
 Maximum candela of 2225 at 67.5° from vertical.
 Mounting Height = 16' (4.87m)
 3948 Delivered Lumens
 93 Lumens per Watt
 B1-U1-G1



Maximum Candela = 2225.177 Located At Horizontal Angle = 65, Vertical Angle = 67.5
 # 1 - Vertical Plane Through Horizontal Angles (65 - 245) (Through Max. Cd.)

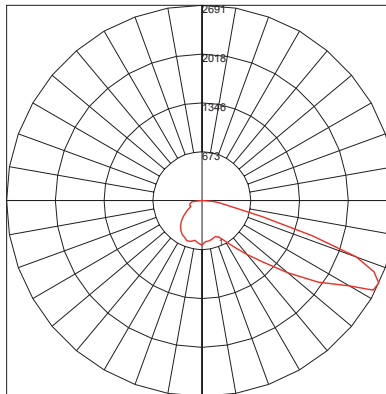
ISOFOOTCANDLE LINES OF HORIZONTAL ILLUMINANCE



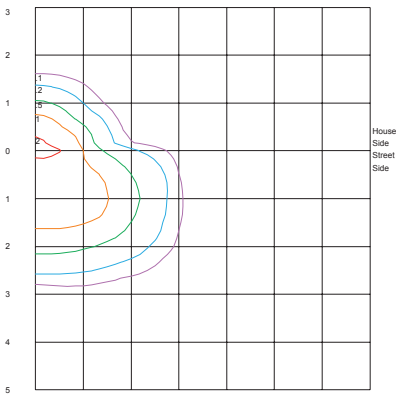
Distance In Units Of Mounting Height
 Values Based On 16 Foot Mounting Height

R3 / 42.5W LED / 3000K CCT

Catalog #: LAL-R3-CL-X-5G450-30-XX-120
 Maximum candela of 2691 at 65° from vertical.
 Mounting Height = 16' (4.87m)
 3948 Delivered Lumens
 93 Lumens per Watt
 B1-U1-G1



Maximum Candela = 2691.332 Located At Horizontal Angle = 45, Vertical Angle = 65
 # 1 - Vertical Plane Through Horizontal Angles (45 - 225) (Through Max. Cd.)

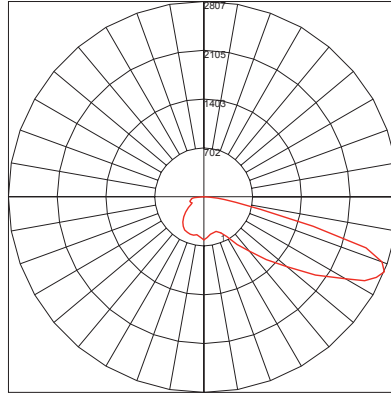


Distance In Units Of Mounting Height
 Values Based On 16 Foot Mounting Height

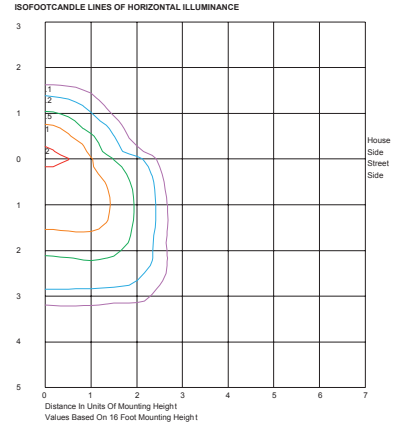
Photometry

R4 / 42.5W LED / 3000K CCT

Catalog #: LAL-R4-CL-X-5G450-30-XX-120
 Maximum candela of 2807 at 67.5° from vertical.
 Mounting Height = 16' (4.87m)
 3948 Delivered Lumens
 93 Lumens per Watt
 B1-U1-G1

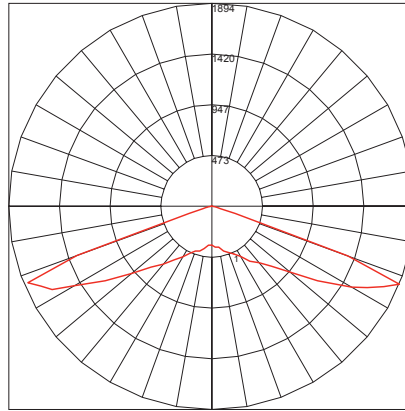


Maximum Candela = 2806.707 Located At Horizontal Angle = 35, Vertical Angle = 67.5
 # 1 - Vertical Plane Through Horizontal Angles (35 - 215) (Through Max. Cd.)

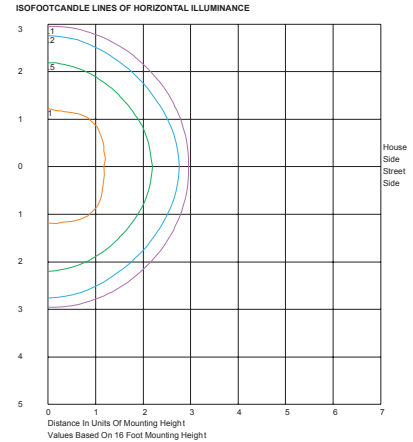


R5R/ 42.5W LED / 3000K CCT

Catalog #: LAL-R4R-CL-X-5G450-30-XX-120
 Maximum candela of 1894 at 67.5° from vertical.
 Mounting Height = 16' (4.87m)
 4463 Delivered Lumens
 105 Lumens per Watt
 B2-U1-G1

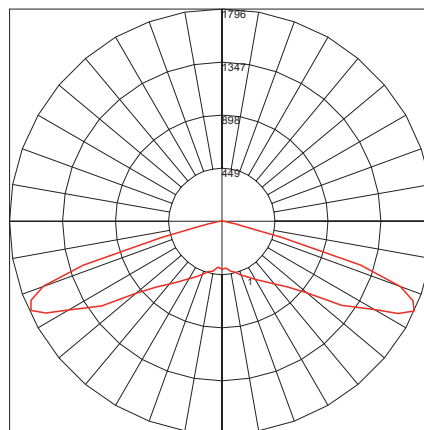


Maximum Candela = 1893.897 Located At Horizontal Angle = 0, Vertical Angle = 67.5
 # 1 - Vertical Plane Through Horizontal Angles (0 - 180) (Through Max. Cd.)

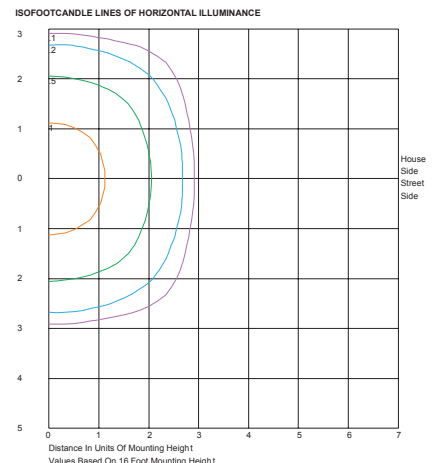


R5S/ 42.5W LED / 3000K CCT

Catalog #: LAL-R4S-CL-X-5G450-30-XX-120
 Maximum candela of 1796 at 65° from vertical.
 Mounting Height = 16' (4.87m)
 4463 Delivered Lumens
 105 Lumens per Watt
 B2-U1-G1



Maximum Candela = 1795.909 Located At Horizontal Angle = 45, Vertical Angle = 65
 # 1 - Vertical Plane Through Horizontal Angles (45 - 225) (Through Max. Cd.)



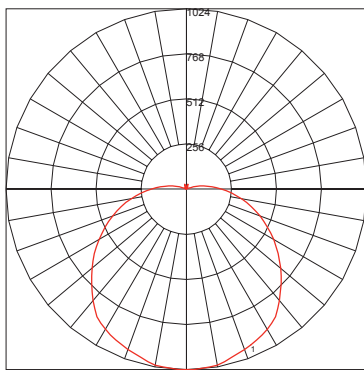
Photometry

DB / 42.5W LED / 3000K CCT

Catalog #: LAL -DB-FL-X-5G450-30-XX-120
 Maximum candela of 1024 at 2.5° from vertical.
 Mounting Height = 16' (4.87m)
 3981 Delivered Lumens
 94 Lumens per Watt
 B1-U3-G2

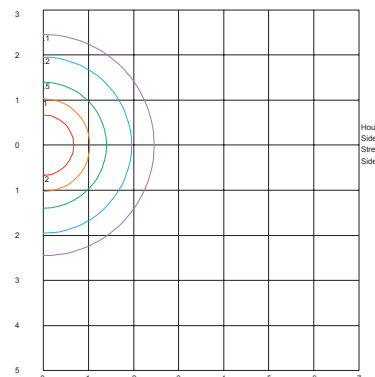
DOWNLOAD IES FILES:

<http://www.selux.us/fileadmin/us/photometry/Exterior/Lanova.zip>



Maximum Candela = 1023.981 Located At Horizontal Angle = 0, Vertical Angle = 2.5
 # 1 - Vertical Plane Through Horizontal Angles (0 - 180) (Through Max. Cd.)

ISOFOOTCANDLE LINES OF HORIZONTAL ILLUMINANCE



Distance In Units Of Mounting Height
 Values Based On 16 Foot Mounting Height