

Date: _____ Customer: _____

Project: _____

Type: _____ Qty: _____



M60

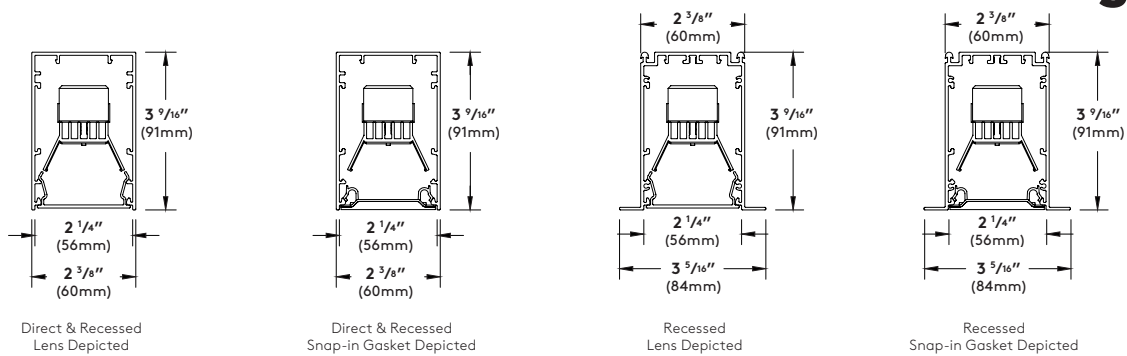
LED Recessed Wet Location



Order Code: _____

Series	L60W Multi-Mount Form Wet Location	L6WR1 Continuous Flange (Flanged Endcaps) Wet Location	L6WR2 Continuous Flange (Flangeless Endcaps) Wet Location												
Light Engine	1B45 ^{1,2,3} 789lm/11.1W per foot	1B40 ^{1,2,3} 713lm/9.8W per foot	1B35 ¹ 628lm/8.6W per foot	1B30 ^{1,2} 536lm/7.2W per foot	1B25 ^{1,2} 481lm/6.4W per foot	1B20 ^{1,2} 363lm/4.7W per foot					¹ Values calculated from a 4' fixture @4000K using LW Shielding and DIM driver. For additional information please see page 2. ² Available starting at 2' and up ³ Not available with Lutron				
CCT	27 2700K 90+ CRI	30 3000K 90+ CRI	35 3500K 90+ CRI	40 4000K 90+ CRI											
Shielding	LW ⁵ LED Optimized white lens	MJ ^{4,5} Clear Lens with Microprism	NB LMO Symmetric with Satine Lens	A2 LMO Asymmetric 20° Wall Washer with Satine Lens	A5 LMO Asymmetric 5° Wall Grazer with Satine Lens	BW LMO Batwing with Satine Lens					⁴ See page 2 for details ⁵ Impact resistant				
Mounting L60W or	SF1 Spackle Flange (1/2" Drywall)	SF2 Spackle Flange (5/8" Drywall)	SF3 Spackle Flange (After Drywall)	DC Decoustic Ceiling (up to 2" thick)											
Mounting L6WR1 or L6WR2	RC ^{6,7} Rotating Crossbar (Ceilings 1/4" to 2" thick)	TS 1" 1/4-20 Stud	PM Perimeter Mount									⁴ L6WR1 only ⁷ Consult factory for lengths under 2'			
Nominal Fixture Length	01* 1 ft.	02 2 ft.	03 3 ft.	04 4 ft.	05 5 ft.	06 6 ft.	07 7 ft.	08 8 ft.	09 9 ft.	10 10 ft.	11 11 ft.	12 12 ft.	XX Runs (over 12') round up to the nearest foot and replace the "xx" with the # (i.e. 13=13' nominal)		
Finish	WH White	BK Black	BL Semi-Matte Black	SV Silver	SP Specify Premium Color	<i>Custom colors are available, Please consult factory</i>									
Voltage	120 120 Volt	277 277 Volt	UNV 120 through 277	347 ⁸ 347V										⁸ 347V not available with EM internal battery option	
Driver	DIM ⁹ 0-10V (Linear)	DM ^{9,10,12} eldoLED SOLOdrive 0-10V (Linear)	DML ^{9,10,12} eldoLED SOLOdrive 0-10V (Logarithmic)	DMD ^{9,10,12} eldoLED DALI (Logarithmic)	DC2 ^{9,10,11,13} Lutron 2-Wire	DE1 ^{9,10,11} Lutron EcoSystem	DC5 ^{10,11} Lutron 5-Series (consult factory)								⁹ See page 7 for full details ¹⁰ Not available for 1' length ¹¹ Not available with 1B45 or 1B40 ¹² EM option not available in 4' length ¹³ 120V only
Fixture Options	FS ¹⁴ In-line Fuse	SS ¹⁴ Separate Switching	CCEA CCEA approved	TR ¹⁴ Tamper Resistant 1/4" End Cap										¹⁴ See page 8 for full details and restrictions	
Emergency Options	EC ^{15,17} Emergency Circuit Wiring	EMR Remote Micro Inverter (consult factory)	EM ^{15,16,17,18} Integral EM battery pack (Non-IC rated)												¹⁵ See page 8 for full details and restrictions ¹⁶ Integral EM available in 4' and ≥6' lengths (except for DM, DML and DMD options in a 4' length). Please consult factory for 5' length. ¹⁷ For emergency with sensors, please consult factory ¹⁸ Minimum 32°F





Construction:

Housing - Continuous, low copper 6063-T6 extruded aluminum profile with aluminum endcaps, available as Individual fixtures (up to 12') or Runs.

Flange - $\frac{1}{16}$ " (14mm) wide flange runs full lengths of both sides and is part of the main extruded body. Specify continuous flange (L6WR1) or flush (L6WR2) end cap. L6WR2 does not work in T-Bar ceiling.

Geartray - Low copper 6063-T6 extruded aluminum profile.

Shielding - Extruded, impact resistant acrylic lens.
- LED Optimized White Lens (LW)
- Clear Lens with Microprism (MI)
"LMO" refers to the Selux proprietary LED optical system - Light modulation optics. These lenses are offered in M60 behind a Satine Lens for even illumination and comfortable lit appearance.

The following lenses are not impact resistant:

- "LMO" symmetric lens (NB)
- "LMO" Asymmetric 5° wall grazer (A5)
- "LMO" Asymmetric 20° wall washer (A2)
- "LMO" Batwing (BW)

* Please note that the snap-in cover is a frosted acrylic, designed to match the visual appearance of the LW Lens.

Gasketing - Frosted acrylic snap-in cover plate at ends and each joint, combined with transmissive gasket ensures ease of installation and a clean, illuminated surface.

*Housings other than White may have additional shadowing at the cover plates.

Tamper Resistant - Aluminum plates with gasket and tamper-resistant hardware replaces the snap-in cover at ends and joints. Painted housing color by default.

Mounting(s) - Spackle in (drywall), Slot grid, Decoustic, T-bar grid, Perimeter, Rotating Crossbar and Threaded Stud Mountings (RC or TS mountings). See pages 3 through 6 for details.

Standard Luminaire lengths - All standard luminaires are supplied in nominal lengths to ensure full, even, illumination.

Runs are available in approximately 1/4" increments starting at the nominal 12' fixture length.

** Individual luminaires are not joinable in the field.

Exact Luminaire lengths - Individual luminaires and Runs are available in exact lengths to meet your project needs. Please consult factory with your requirements.

** Lens luminance may soften at the very ends of the straight sections for exact length luminaires.

L60W Joiner(s) - Runs are supplied in multiple housings that are joined together in the field using the supplied L60W Joiner System. This allows ease of installation and ensures a uniform appearance (see page 8 for detail).

Weight: 2.4 lb. per foot.

Electrical/Performance:

LED Light Engine - Brand-name mid-power LEDs create a high efficiency LED light engine able to provide a lumen maintenance of 96% at 25,000 hours and 92% at 60,000 hours @ 25°C per TM-21 reports. Reported L70 greater than 60,000 hours

Delivered Lumens - Due to LED manufacturer's tolerances the listed output has a $\pm 5\%$ tolerance. For outputs based on different shielding or CCT please see photometry section at the end.

CCT - Available in 2700K, 3000K, 3500K and 4000K, tolerance within a 3-step MacAdam ellipse.

CRI - 90+

Emergency - There are multiple emergency options available - emergency circuit, remote micro inverter, and integral battery pack. All options compliant with UL 924 listed emergency luminaire. Please consult factory for use of sensors with emergency options. For more details on EC and EM options, see page 8.

All Drivers - High efficiency, constant current, soft start, Electronic Class 2 with a PFC>0.90. For more detailed information on the available drivers, please see page 7.

Thermal Performance:

Ambient Operating Temperature - Luminaires suitable for maximum ambient temperature of 35°C (95°F) for all drivers.

Luminaires are suitable for minimum ambient temperatures of:

-40°C (-40°F) for DIM, DM, DML, and DMD drivers. 0°C (32°F) for DC2 and DE1 drivers.

Luminaire Finish:

Powder Coat - All Selux luminaires are finished in high quality polyester powder coating in our Tiger Drylac certified facility and are tested in accordance with test specifications for coatings from ASTM and PCI.

All products undergo a five stage intensive pretreatment process where product is thoroughly cleaned, phosphated, and sealed. Selux powder coated products provide excellent salt and humidity resistance as well as ultra violet resistance for color retention.

Standard interior colors are White (WH), Black (BK), Semi-Matte Black (BL), and Silver (SV). Selux premium colors (SP) are available, please specify from your Selux color selection guide. Housing colors other than White may have additional shadowing at the cover plates.

Warranty:

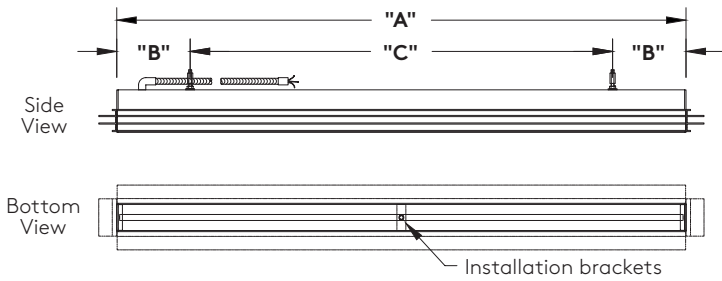
5 Year Limited LED Luminaire Warranty - Selux offers a 5 Year Limited Warranty to the original purchaser that the M60 series LED luminaire shall be free from defects in material and workmanship for up to five (5) years from date of shipment. This limited warranty covers the LED driver and LED light engine when installed according to Selux instructions and operated within the Ambient Temperature. For additional details and exclusions, see "Selux Terms and Condition of Sale."

Certifications and Compliance:

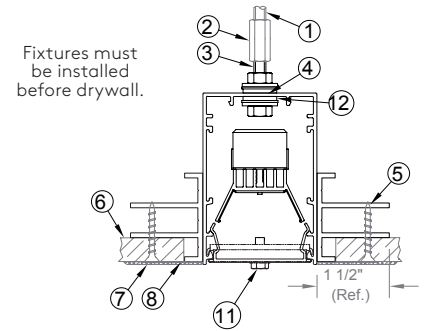
NRTL - For Dry, Damp, and Wet location (I.E. cULus; cCSAus)
Suitable for ceiling or wall recessed installation only. Not suitable for floor, vertical or horizontal wall recessed installation.

ARRA Compliant
RoHS Compliant
IC Rated *
*EM option is Non-IC Rated

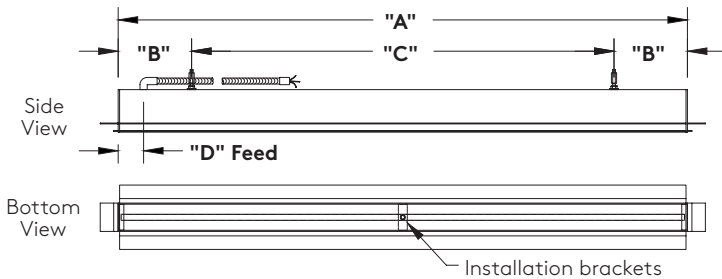
1/2" Spackle Flange Mounting (SF1)



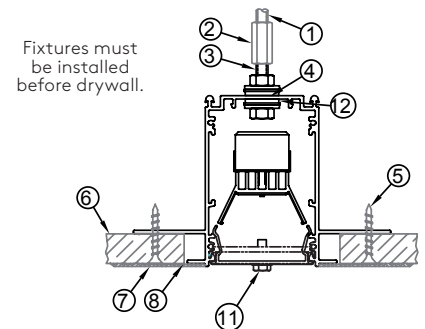
1/2" Spackle Flange Mounting (SF1)



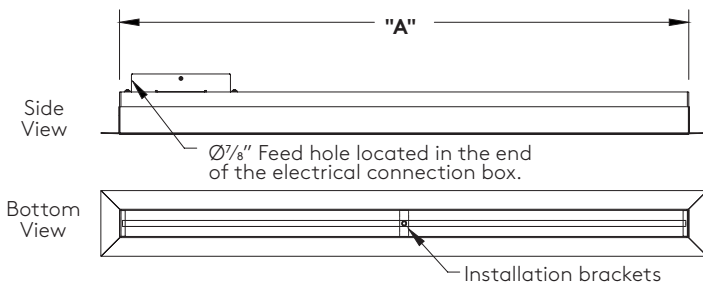
5/8" Spackle Flange Mounting (SF2)



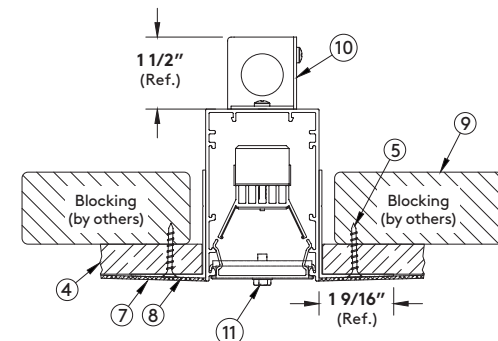
5/8" Spackle Flange Mounting (SF2)



After Sheetrock Flange Mounting (SF3)



After Sheetrock Flange Mounting (SF3)

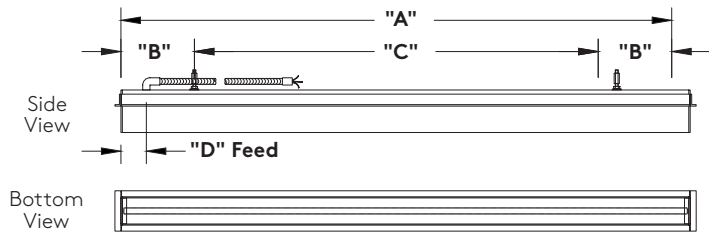


Spackle Flange Mounting (SF1, SF2 & SF3) - Dimensions								
Nominal Length	"A"		"B"		* "C" (Ref.)		"D"	
	O.A.L. w/o Flange		End Suspensions		Mid. Suspension		Feed Location	
	Feet/Inch	MM	Feet/Inch	MM	Feet/Inch	MM	Feet/Inch	MM
01 (1 ft.)	1' - 5/16"	313	0' - 1 5/8"	41	0' - 9 7/8"	231	0' - 4 1/8"	105
02 (2 ft.)	1' - 11 7/16"	595	0' - 1 5/8"	41	1' - 8 3/16"	513	0' - 4 1/8"	105
03 (3 ft.)	3' - 5/16"	923	0' - 6 1/8"	156	2' - 1/8"	6152	0' - 2 1/8"	54
04 (4 ft.)	3' - 11 7/16"	1205	0' - 6 1/8"	156	2' - 11 3/16"	894	0' - 2 1/8"	54
05 (5 ft.)	4' - 11 7/16"	1510	0' - 6 1/8"	156	3' - 11 3/16"	1199	0' - 2 1/8"	54
06 (6 ft.)	5' - 11 7/16"	1815	0' - 6 1/8"	156	4' - 11 3/16"	1504	0' - 2 1/8"	54
07 (7 ft.)	6' - 11 7/16"	2119	0' - 6 1/8"	156	5' - 11 3/16"	1808	0' - 2 1/8"	54
08 (8 ft.)	7' - 11 7/16"	2424	0' - 6 1/8"	156	6' - 11 3/16"	2113	0' - 2 1/8"	54
09 (9 ft.)	8' - 11 7/16"	2729	0' - 6 1/8"	156	7' - 11 3/16"	2418	0' - 2 1/8"	54
10 (10 ft.)	9' - 11 7/16"	3034	0' - 6 1/8"	156	8' - 11 3/16"	2722	0' - 2 1/8"	54
11 (11 ft.)	10' - 11 7/16"	3338	0' - 6 1/8"	156	9' - 11 3/16"	3027	0' - 2 1/8"	54
12 (12 ft.)	11' - 11 7/16"	3643	0' - 6 1/8"	156	10' - 11 3/16"	3332	0' - 2 1/8"	54

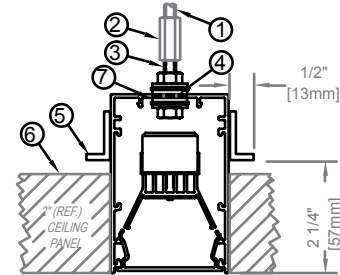
*Dimension(s) rounded to the nearest 1/16" with a ± 1/16 (1mm) tolerance.

- 1/4-20 Threaded rod to structure (supplied and installed by others).
- 1/4-20 Coupler hardware (supplied and installed by others).
- 1" 1/4-20 Stud (by Selux).
- Ø7/8" [Ø7mm] mounting hole.
- Drywall/Sheetrock screw (Ref.)
- Drywall/Sheetrock (Ref.)
- 1/16" Plaster skimcoat (Ref.)
- Drywall/Sheetrock tape (Ref.)
- Blocking to secure fixture (by others)
- Electrical connection box, removable side cover for electrical connection pre-installation, once installed the wiring is accessible from below the ceiling through the luminaire.
- Luminaires ship with the brackets pre-installed.
 - The brackets cannot be removed until the fixture is completely installed and secured through the spackle flange.
 - Once the brackets are removed, the lens/louvers can be installed.
- 1/4"-20 sealing washer (by Selux).

Decoustic Mounting (DC)



Decoustic Mounting (DC)
(Panels up to 2" thick)



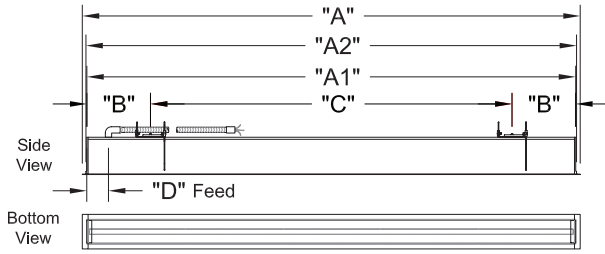
1. 1/4-20 Threaded rod to structure (supplied and installed by others).
2. 1/4-20 Coupler hardware (supplied and installed by others).
3. 1" 1/4-20 Stud (by Selux).
4. Ø5/16" [Ø7mm] mounting hole.
5. 1/2" wide alum. angle runs the entire length of fixture to block view into plenum area from below fixture.
6. Suitable for Decoustic® ceiling panel installations with panels up to 2" thick (supplied and installed by others). Other ceiling systems possible, please consult factory. Decoustic® is a registered trademark of Decoustics Ltd. Corporation.
7. Sealing washers inside/out (by Selux)

Decoustic Mounting (DC) - Dimensions

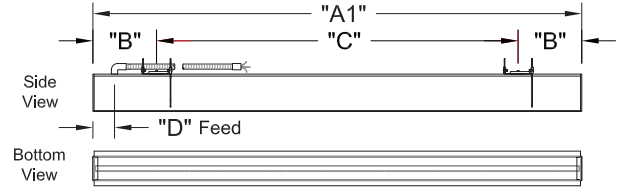
Nominal Length	"A"		"B"		* "C" (Ref.)		"D"	
	O.A.L. w/o Flange		End Suspensions		Mid. Suspension		Feed Location	
	Feet/Inch	MM	Feet/Inch	MM	Feet/Inch	MM	Feet/Inch	MM
01 (1 ft.)	1' - 5/16"	313	0' - 1 3/8"	41	0' - 9 1/8"	231	0' - 4 1/8"	105
02 (2 ft.)	1' - 11 7/16"	595	0' - 1 5/8"	41	1' - 8 3/16"	513	0' - 4 1/8"	105
03 (3 ft.)	3' - 5/16"	923	0' - 6 1/8"	156	2' - 1/8"	612	0' - 2 1/8"	54
04 (4 ft.)	3' - 11 7/16"	1205	0' - 6 1/8"	156	2' - 11 3/16"	894	0' - 2 1/8"	54
05 (5 ft.)	4' - 11 7/16"	1510	0' - 6 1/8"	156	3' - 11 3/16"	1199	0' - 2 1/8"	54
06 (6 ft.)	5' - 11 7/16"	1815	0' - 6 1/8"	156	4' - 11 3/16"	1504	0' - 2 1/8"	54
07 (7 ft.)	6' - 11 7/16"	2119	0' - 6 1/8"	156	5' - 11 3/16"	1808	0' - 2 1/8"	54
08 (8 ft.)	7' - 11 7/16"	2424	0' - 6 1/8"	156	6' - 11 3/16"	2113	0' - 2 1/8"	54
09 (9 ft.)	8' - 11 7/16"	2729	0' - 6 1/8"	156	7' - 11 3/16"	2418	0' - 2 1/8"	54
10 (10 ft.)	9' - 11 7/16"	3034	0' - 6 1/8"	156	8' - 11 3/16"	2722	0' - 2 1/8"	54
11 (11 ft.)	10' - 11 7/16"	3338	0' - 6 1/8"	156	9' - 11 3/16"	3027	0' - 2 1/8"	54
12 (12 ft.)	11' - 11 7/16"	3643	0' - 6 1/8"	156	10' - 11 3/16"	3332	0' - 2 1/8"	54

*Dimension(s) rounded to the nearest 1/16" with a ± 1/16 (1mm) tolerance.

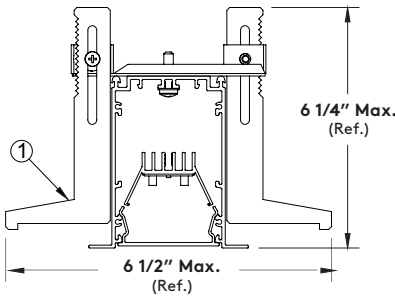
L6WR1 Rotating Crossbar Mounting (RC)



L6WR2 Rotating Crossbar Mounting (RC)



Rotating Crossbars (RC)
(1/4" to 2" thick ceiling)



1. Rotating Crossbar intended for inaccessible ceilings, adjustable for ceiling thickness of 1/4" to 2".

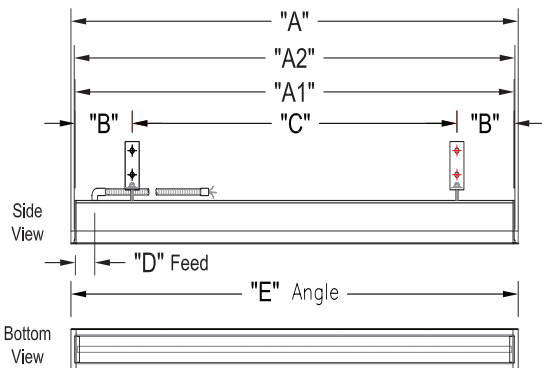
Rotating Crossbar (RC) and Perimeter Mountings (PM) - Dimensions

Nominal Length	"A" O.A.L. with Flange		"A1" O.A.L. without Flange		**"A2" O.A.L. with End Cap Bump Out		"B" End Suspensions		**"C" (Ref.) Mid. Suspension		"D" Feed Location		"E" Wall Angle (L6WR1)		"E1" Wall Angle (L6WR2)	
	Feet/Inch	MM	Feet/Inch	MM	Feet/Inch	MM	Feet/Inch	MM	Feet/Inch	MM	Feet/Inch	MM	Feet/Inch	MM	Feet/Inch	MM
01 (1 ft.)	1' - 1 3/16"	335	1' - 5/16"	313	1' - 1/2"	317	0' - 1 5/8"	41	0' - 9 1/8"	231	0' - 4 1/8"	105	1' - 1 3/16"	335	1' - 5/16"	313
02 (2 ft.)	1' - 11 13/16"	605	1' - 10 15/16"	583	1' - 11 1/8"	587	0' - 4 1/8"	114	1' - 2"	355	0' - 1 1/8"	28	1' - 11 13/16"	605	1' - 10 15/16"	583
03 (3 ft.)	3' - 1 3/16"	945	3' - 5/16"	923	3' - 1/2"	927	0' - 6 1/8"	156	2' - 1/8"	612	0' - 2 1/8"	54	3' - 1 3/16"	945	3' - 5/16"	923
04 (4 ft.)	3' - 11 13/16"	1215	3' - 10 15/16"	1193	3' - 11 1/8"	1197	0' - 6 1/8"	156	2' - 10 13/16"	882	0' - 2 1/8"	54	3' - 11 13/16"	1215	3' - 10 15/16"	1193
05 (5 ft.)	4' - 11 13/16"	1519	4' - 10 15/16"	1497	4' - 11 1/8"	1501	0' - 6 1/8"	156	3' - 10 13/16"	1187	0' - 2 1/8"	54	4' - 11 13/16"	1519	4' - 10 15/16"	1497
06 (6 ft.)	5' - 11 7/8"	1825	5' - 11"	1803	5' - 11 1/8"	1807	0' - 6 1/8"	156	4' - 10 3/4"	1492	0' - 2 1/8"	54	5' - 11 7/8"	1825	5' - 11"	1803
07 (7 ft.)	6' - 11 13/16"	2129	6' - 10 15/16"	2107	6' - 11 1/8"	2111	0' - 6 1/8"	156	5' - 10 13/16"	1796	0' - 2 1/8"	54	6' - 11 13/16"	2129	6' - 10 15/16"	2107
08 (8 ft.)	7' - 11 13/16"	2434	7' - 10 15/16"	2412	7' - 11 1/8"	2416	0' - 6 1/8"	156	6' - 10 13/16"	2101	0' - 2 1/8"	54	7' - 11 13/16"	2434	7' - 10 15/16"	2412
09 (9 ft.)	8' - 11 13/16"	2739	8' - 11"	2717	8' - 11 1/8"	2721	0' - 6 1/8"	156	7' - 10 13/16"	2406	0' - 2 1/8"	54	8' - 11 13/16"	2739	8' - 11"	2717
10 (10 ft.)	9' - 11 13/16"	3044	9' - 11"	3022	9' - 11 1/8"	3026	0' - 6 1/8"	156	8' - 10 13/16"	2711	0' - 2 1/8"	54	9' - 11 13/16"	3044	9' - 11"	3022
11 (11 ft.)	10' - 11 13/16"	3348	10' - 11"	3327	10' - 11 1/8"	3331	0' - 6 1/8"	156	9' - 10 13/16"	3015	0' - 2 1/8"	54	10' - 11 13/16"	3348	10' - 11"	3327
12 (12 ft.)	11' - 11 13/16"	3653	11' - 11"	3632	11' - 11 1/8"	3636	0' - 6 1/8"	156	10' - 10 13/16"	3320	0' - 2 1/8"	54	11' - 11 13/16"	3653	11' - 11"	3632

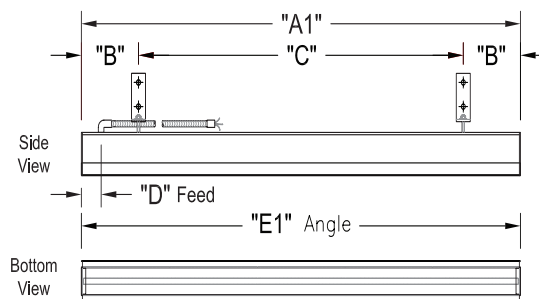
*RC mounting, consult factory for lengths under 2'

**Dimension(s) rounded to the nearest 1/16" with a ± 1mm (1mm) tolerance.

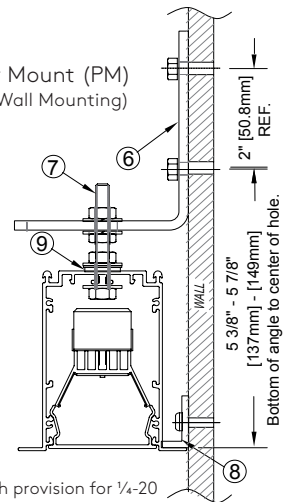
L6WR1 Perimeter Mounting (PM)



L6WR2 Perimeter Mounting (PM)

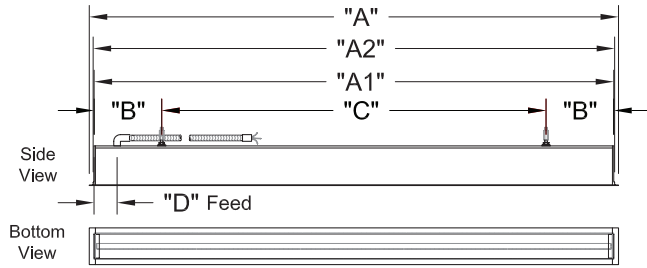


Perimeter Mount (PM)
(Recessed Wall Mounting)

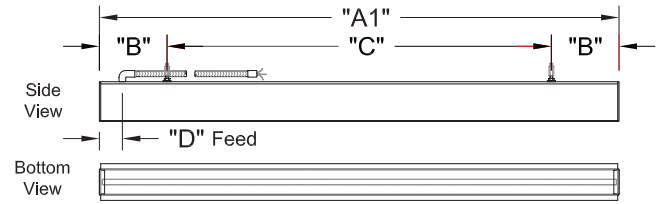


- 6. Steel Wall Bracket with provision for 1/4-20 fasteners (hardware to code by others).
- 7. 2" 1/4-20 Stud (by Selux).
- 8. 1/2" x 1" Alum. wall angle allows a gap between flange and wall to create shadow line allowing for unevenness of wall. Provision for #10 screws supplied approximately every 2 ft. (hardware to code by others).
- 9. 1/4-20 sealing washer (by Selux).

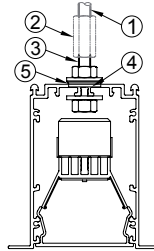
L6WR1 1/4-20 Threaded Stud Mounting (TS)



L6WR2 1/4-20 Threaded Stud Mounting (TS)



1/4-20 Threaded Stud (TS)
(1" Threaded Stud)



1. 1/4-20 Threaded rod to structure (supplied and installed by others).
2. 1/4-20 Coupler hardware (supplied and installed by others).
3. 1" 1/4-20 Stud (by Selux).
4. Ø5/16" [Ø7mm] mounting hole.
5. 1/4-20 sealing washer (by Selux).

Threaded Stud (TS) - Dimensions

Nominal Length	"A" O.A.L. with Flange		"A1" O.A.L. without Flange		**"A2" O.A.L. with End Cap Bump Out		"B" End Suspensions		** "C" (Ref.) Mid. Suspension		"D" Feed Location	
	Feet/Inch	MM	Feet/Inch	MM	Feet/Inch	MM	Feet/Inch	MM	Feet/Inch	MM	Feet/Inch	MM
01 (1 ft.)	1' - 1 3/16"	335	1' - 5/16"	313	1' - 1/2"	317	0' - 1 5/8"	41	0' - 9 1/8"	231	0' - 4 1/8"	105
02 (2 ft.)	1' - 11 15/16"	605	1' - 10 15/16"	583	1' - 11 1/8"	587	0' - 4 1/8"	114	1' - 2"	355	0' - 1 1/8"	28
03 (3 ft.)	3' - 1 1/16"	945	3' - 5/16"	923	3' - 1/2"	927	0' - 6 1/8"	156	2' - 1/8"	612	0' - 2 1/8"	54
04 (4 ft.)	3' - 11 15/16"	1215	3' - 10 15/16"	1193	3' - 11 1/8"	1197	0' - 6 1/8"	156	2' - 10 11/16"	882	0' - 2 1/8"	54
05 (5 ft.)	4' - 11 15/16"	1519	4' - 10 15/16"	1497	4' - 11 1/8"	1501	0' - 6 1/8"	156	3' - 10 11/16"	1187	0' - 2 1/8"	54
06 (6 ft.)	5' 11 7/8"	1825	5' - 11"	1803	5' - 11 1/8"	1807	0' - 6 1/8"	156	4' - 10 3/4"	1492	0' - 2 1/8"	54
07 (7 ft.)	6' - 11 15/16"	2129	6' - 10 15/16"	2107	6' - 11 1/8"	2111	0' - 6 1/8"	156	5' - 10 11/16"	1796	0' - 2 1/8"	54
08 (8 ft.)	7' - 11 15/16"	2434	7' - 10 15/16"	2412	7' - 11 1/8"	2416	0' - 6 1/8"	156	6' - 10 11/16"	2101	0' - 2 1/8"	54
09 (9 ft.)	8' - 11 15/16"	2739	8' - 11"	2717	8' - 11 1/8"	2721	0' - 6 1/8"	156	7' - 10 11/16"	2406	0' - 2 1/8"	54
10 (10 ft.)	9' - 11 15/16"	3044	9' - 11"	3022	9' - 11 1/8"	3026	0' - 6 1/8"	156	8' - 10 11/16"	2711	0' - 2 1/8"	54
11 (11 ft.)	10' - 11 15/16"	3348	10' - 11"	3327	10' - 11 1/8"	3331	0' - 6 1/8"	156	9' - 10 11/16"	3015	0' - 2 1/8"	54
12 (12 ft.)	11' - 11 15/16"	3653	11' - 11"	3632	11' - 11 1/8"	3636	0' - 6 1/8"	156	10' - 10 11/16"	3320	0' - 2 1/8"	54

*RC mounting, consult factory for lengths under 2'

**Dimension(s) rounded to the nearest 1/16" with a ± 1/16 (1mm) tolerance.

Drivers:

0-10V linear dimming (DIM)

Luminaires supplied with drivers offering the capability of either normal switched operation of 0-10V dimming for linear dimming curve. Fixtures ship wired for dimming. For on/off functionality, simply cap the dimming leads. Minimum dimming level preset at factory to 1%. (Due to size constraints, 1' luminaires are supplied with a driver from a different manufacturer than 2' and above luminaires. For details, please consult factory).

eldoLED SOLOdrive 0-10V linear dimming (DM)

Luminaires supplied with SOLOdrive 0-10V dimming driver for linear dimming curve. Minimum dimming level preset at factory to 1%. For "dim to dark" (down to 0.1%), please consult factory.

eldoLED SOLOdrive 0-10V logarithmic dimming (DML)

Luminaires supplied with SOLOdrive 0-10V dimming driver for logarithmic dimming curve. Minimum dimming level preset at factory to 1%. For "dim to dark" (down to 0.1%), please consult factory.

eldoLED SOLOdrive DALI dimming (DMD)

Luminaires supplied with SOLOdrive DALI dimming driver for logarithmic dimming curve. Minimum dimming level preset at factory to 1%. For "dim to dark" (down to 0.1%), please consult factory.

LUTRON 2-wire dimming (DC2)

Luminaires supplied with Hi-Lume 2-wire dimming driver (120V only) programmed for Constant Current Reduction (CCR). For Pulse Width Modulation (PWM) dimming, please consult factory. Minimum dimming level down to 1%.

LUTRON EcoSystem dimming (DE1)

Luminaires supplied with Hi-Lume EcoSystem (4 wire, digital link) dimming driver programmed for Constant Current Reduction (CCR). For Pulse Width Modulation (PWM) dimming, please consult factory. Minimum dimming level down to 1% with SoftOn/FadeToBlack.

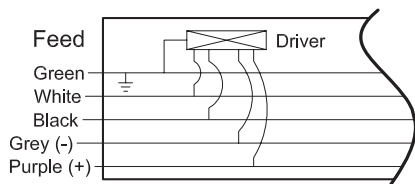
* For control recommendations, please contact driver manufacturer.

	Driver Quantity								RUN
	1 ft.	2 ft.	3 ft.	4 ft.	5 ft.	6 ft.	7 ft.	8 ft.	
DIM	1	1	1	1	2	2	2	2	Approximately 1 driver per 4 ft.
DM, DML, & DMD drivers	N/A	1	1	1	1	1	2	2	Approximately 1 driver per 4 ft.
DC2 and DE1 drivers	N/A	1	1	1	2	2	2	2	Consult Factory

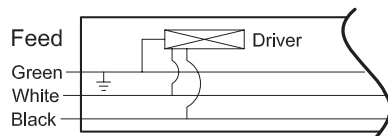
*For inrush and control current, please refer to the driver manufacturers' spec sheets.

Wiring Diagrams

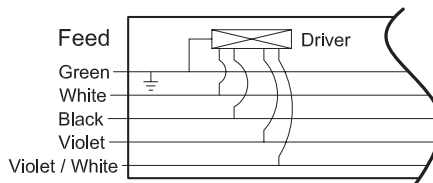
0-10V linear (DIM)
0-10V linear eldoLED SOLOdrive (DM)
0-10V logarithmic eldoLED SOLOdrive (DML)
DALI eldoLED SOLOdrive (DMD)



Lutron 2-Wire (DC2)



Lutron EcoSystem (DE1)
Lutron 5-Series (DC5)



Standard Wiring supplied for all drivers.	Green = Ground White = Neutral Black = Hot
- The following wire(s) are in addition to the standard above -	
DIM, DM, DML & DMD	Gray = (-) DALI or 0-10V Dimming Control Purple = (+) DALI or 0-10V Dimming Control
DC2	No additional wires
DE1, DC5	Violet = "E1" Digital Link Dimming Control Violet/White = "E2" Digital Link Dimming Control

Fuse (FS) - Fusing, luminaires supplied with a in-line fuse located on the hot wire for each feed. (supplied with an 8A slow burn fuse).

Emergency Circuit (EC) - Luminaires with EC option compliant to UL 924 listed emergency luminaire. EC luminaires are intended to be wired to separate panels/breakers for emergency use.

- For 1' to 6' nominal luminaires, the entire fixture is wired for operation on emergency circuit.

- For 7' and up nominal luminaires, the first 4' nominal length is wired for operation by a separate EM circuit by default to meet the required "Life Safety Code" (NFPA 101).

*If a different configuration is needed please consult the factory.

Emergency Battery (EM) - Luminaires with EM option are provided with factory installed emergency battery. In the event of an emergency, EM battery will illuminate a nominal 4' section at 10W (constant) for 90 minutes (25°C). Recharge time of 24 hours. If a different configuration is needed, please consult factory.

The emergency battery pack is located integral to fixture and available in nominal 4' and $\geq 6'$ lengths. Please consult factory for 5' lengths as fit of EM battery will depend on light engine and quantity of drivers. Emergency option will illuminate the first nominal 4' section of fixture. For fixtures 5' & >12' or if a different configuration is needed, please consult factory.

* Emergency battery option is UNV for use with 120-277V and is not available for 347V.

* Emergency battery is suitable for a minimum temperature of 32°F.

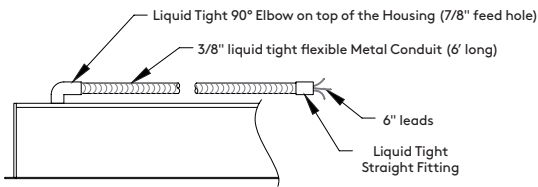
* For EM with sensors, please consult factory.

Separate Switching (SS) - Luminaires available with separately switched 4' (nominal) sections starting at 7' and up. Luminaire is intended to be wired to the same panel/breaker (not intended for Emergency use).

- To specify this option, the number of separately switched sections and locations of these sections must be provided at time of order.

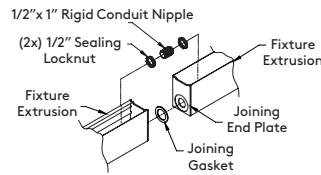
* If the project requires different separate switching than outlined above please consult factory.

Flex Whip - standard for recessed fixtures

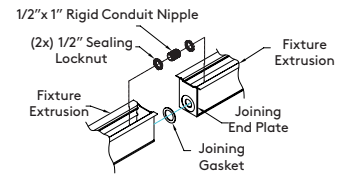


Joiner System - standard for Runs

L60W-Flangeless

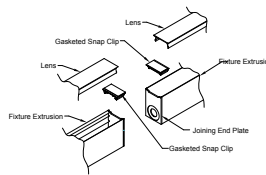


L60W-Flanged

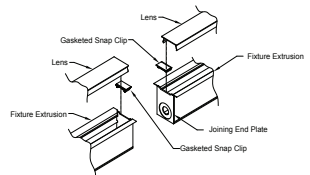


Snap-In Cover and Gasket

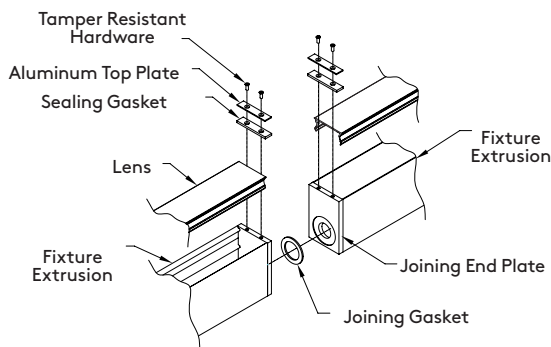
L60W Lens & Gasketed Snap-In Detail-Flangeless



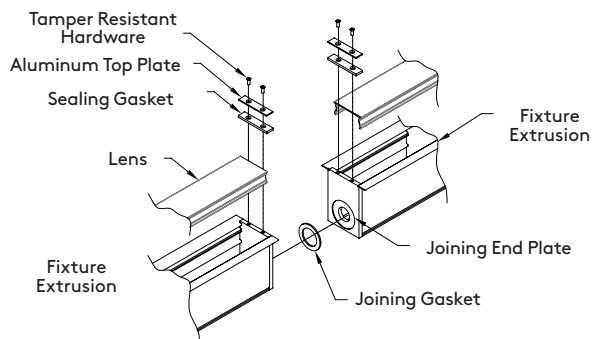
L60W Lens & Gasketed Snap-In Detail-Flanged



Tamper Resistant (TR)



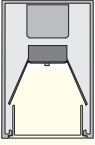
Direct & Recessed
Flangeless



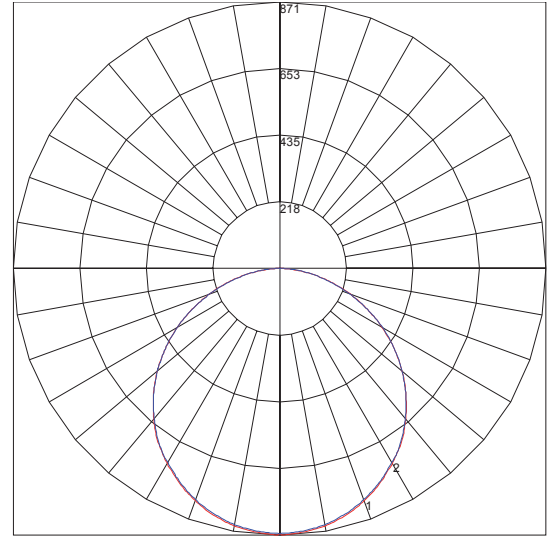
Recessed Flanged

Photometry

LW Optics / 34W LED / 4000K CCT

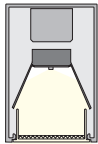


Catalog #: L60-1B35-40-LW-X-04-XX-UNV
Report #: 11685012.01
Delivered Lumens: 2510
Input Watts: 34.4177W
Efficacy: 73
CCT: 3926K
CRI: 84.1

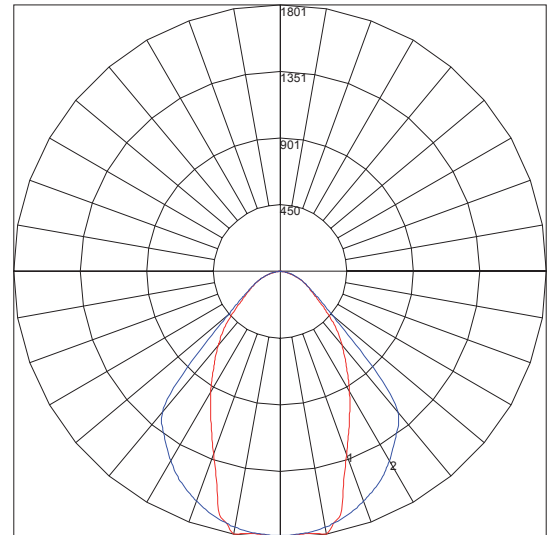


Maximum Candela = 870.7 Located At Horizontal Angle = 90, Vertical Angle = .5
1 - Vertical Plane Through Horizontal Angles (90 - 270)
2 - Vertical Plane Through Horizontal Angles (0 - 180)

MI Optics / 35W LED / 4000K CCT



Catalog #: L60-1B35-40-MI-X-04-XX-UNV
Report #: 11685012.05
Delivered Lumens: 2908
Input Watts: 34.3932W
Efficacy: 85
CCT: 3926K
CRI: 84.1



Maximum Candela = 1801 Located At Horizontal Angle = 90, Vertical Angle = 9.5
1 - Vertical Plane Through Horizontal Angles (90 - 270)
2 - Vertical Plane Through Horizontal Angles (0 - 180)

L60 LED Direct Photometry Multiplier Table	
CCT Multiplier	
4000K	1.000
3500K	0.972
3000K	0.963
2700K	0.931

CCT and CRI multipliers apply to the photometry, IES files, and per foot values listed on page one (light engine).