

Date: \_\_\_\_\_ Customer: \_\_\_\_\_

Project: \_\_\_\_\_

Type: \_\_\_\_\_ Qty: \_\_\_\_\_



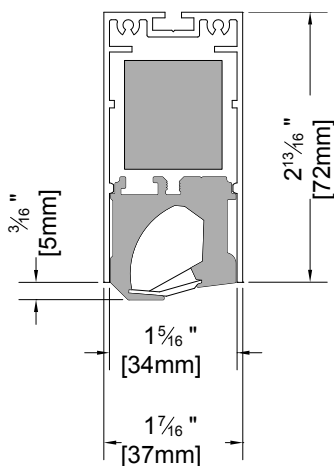
# M36 MRC Wall Washer LED Direct



Order Code: L36 - WW - - - - -

<u>L36</u>	Series	<b>L36</b> M36 LED Direct														
	Light Engine	<b>A45<sup>1,2</sup></b> 724lm/9.2W per foot	<b>A35<sup>1</sup></b> 563lm/7.2W per foot	<b>A25<sup>1</sup></b> 402lm/5.1W per foot	<b>A15<sup>1</sup></b> 241lm/3.1W per foot								<sup>1</sup> Values calculated from a 4' fixture, 90 CRI at 3500K using a DIM driver. <sup>2</sup> Not available with Lutron			
<u>WW</u>	Shielding	<b>WW</b> M36 MRC Wall Wash Optic														
	CCT	<b>927</b> 2700K 90+ CRI	<b>930</b> 3000K 90+ CRI	<b>935</b> 3500K 90+ CRI	<b>940</b> 4000K 90+ CRI											
	Mounting	<b>C</b> Cable	<b>S</b> Swivel Stem	<b>RS</b> Rigid Stem	<b>FF</b> Surface Mount (with Flex Whip)	<b>F2</b> Surface Mount (for 2x4 J-Box)	<b>F4</b> Surface Mount (w/4x4 J-Box cover)									
	Nominal Fixture Length	<b>01</b> 1 ft.	<b>02</b> 2 ft.	<b>03</b> 3 ft.	<b>04</b> 4 ft.	<b>05</b> 5 ft.	<b>06</b> 6 ft.	<b>07</b> 7 ft.	<b>08</b> 8 ft.	<b>09</b> 9 ft.	<b>10</b> 10 ft.	<b>11</b> 11 ft.	<b>12</b> 12 ft.	<b>XX</b> Runs (over 12') & Configurations, round up to the nearest foot and replace the "xx" with the # (i.e. 13=13' nominal)		
	Housing Finish	<b>WH</b> White	<b>BL</b> Semi-Matte Black	<b>SV</b> Silver	<b>SP</b> Specify Premium Color								<i>Custom colors are available, Please consult factory</i>			
	Voltage	<b>1</b> 120 Volt	<b>2</b> 277 Volt	<b>U</b> 120 through 277 50/60hz capable	<b>3</b> 347 Volt (consult factory)											
	Driver	<b>DIM<sup>3</sup></b> 0-10V, 1% (Linear)	<b>DIL<sup>3,4</sup></b> eldoLED 1% ECOdrive 0-10V (Logarithmic)	<b>DED<sup>3,4</sup></b> eldoLED 1% ECOdrive DALI (Logarithmic)	<b>D01<sup>3,4</sup></b> eldoLED 0.1% SOLOdrive 0-10V (Linear)	<b>DL01<sup>3,4</sup></b> eldoLED 0.1% SOLOdrive 0-10V (Logarithmic)	<b>DC2<sup>3,4,5</sup></b> Lutron 1% 2-Wire	<b>DE1<sup>3,4</sup></b> Lutron 1% EcoSystem	<b>DC5<sup>3,4</sup></b> Lutron 5% 5-Series (consult factory)						<sup>3</sup> See page 6 for details <sup>4</sup> Available starting 2' and up <sup>5</sup> 120V only	
	Optic Cover Finish	<b>CTM</b> Color to Match Housing Color			<b>BBL</b> Semi-Matte Black											
	Fixture Options	<b>FS</b> In-Line Fuse														
	Sensor Options	<b>xE<sup>6,7</sup></b> Enlighted (consult factory) Replace "x" with quantity	<b>xS1<sup>6,7</sup></b> Sensor Switch Daylight (consult factory)	<b>xS2<sup>6,7</sup></b> Sensor Switch Occ/Vac (consult factory)	<b>xS3<sup>6,7</sup></b> Sensor Switch Occ/ Vac/Daylight (consult factory)	<b>xSN</b> nLight Enabled (consult factory)	<b>xV</b> Lutron Vive (consult factory)								<sup>6</sup> Minimum fixture length 2'. See page 10 for full details and restrictions <sup>7</sup> Requires DIM driver (0-10V)	
	Emergency Options	<b>EC<sup>8,9</sup></b> Emergency Wiring Circuit	<b>EMR</b> Remote Micro Inverter (consult factory)	<b>EM<sup>8,9,10</sup></b> Integral EM Battery Pack									<sup>8</sup> See page 7 for full details and restrictions <sup>9</sup> For emergency options with sensors, please consult factory <sup>10</sup> EM available in 4' and ≥6'. Please consult factory for 5'			
	Configuration Options	<b>IL9<sup>11</sup></b> Unlit Horizontal 90° Inside Corner (consult factory)		<b>OL9<sup>11,12</sup></b> Unlit Horizontal 90° Outside Corner												<sup>11</sup> See page 8 for details and restrictions. <sup>12</sup> Unlit corner uses blank faceplate, standard length is 36" long nominal. For other configurations, please consult factory.





### Construction:

**Housing** - Continuous, low copper 6063-T6 extruded aluminum profile with aluminum endcaps, available as Individual fixtures (up to 12') or Runs.

**Geartray** - Low copper 6063-T6 extruded aluminum profile.

**Optics**- Injection molded Polycarbonate lens and aluminum vacuum metalized reflector.

**Mounting(s)** - 1/8" Aircraft Cable, Ø1/2" Swivel or Rigid Steel Stem, Surface mounting (see pages 3 through 5 for details).

\*\* Cable and Stem mountings may not be symmetrical for Runs and Configurations due to the use of modular housing lengths. If symmetrical suspensions are required please consult the factory.

**Standard Luminaire lengths** - All standard luminaires are supplied in nominal lengths to ensure full, even, illumination. Runs and Configurations are available in approximately 6" increments starting at the nominal 1' fixture length with integral drivers (w/o EM).

\*\* Individual luminaires are not joinable in the field.

**Exact length luminaires** - Individual luminaires, Runs, and Configurations are available in exact lengths to meet your project needs. Run will comprise of 6" optic lengths that will fill length of Run, and identical blank optic covers at either end of fixture to fill in un-illuminated length. If any other configuration or run is required, please consult factory.

**M36 Joiner(s)** - Runs and Configurations are supplied in multiple housing that are joined together in the field using the supplied M36 Joiner System. This allows ease of installation and ensures a uniform appearance (see page 7 for details).

**Weight** - 2.0 lb per foot

### Electrical/Performance:

**LED Light Engine** - Brand-name mid-power LEDs create a high efficiency LED light engine with a reported luminous flux maintenance at 50,000 hours is 89% based on LM-80 test reports. The rated lumen maintenance life of L80 (10K) > 60,000 hours. Luminous flux values calculated in accordance to IES TM-21 procedures based on ANSI/IES LM-80 compliant reported measurement data. For Title 24 compliant model numbers, please consult factory.

**Photometrics** - Consult website or factory for IES Files. Photometric lumen measurement complies with IES LM-79-08 testing procedures. Due to the LED manufacturer's tolerances, the listed output has a ±5% tolerance. For outputs based on different CCT, please see pages 9-10 for details.

**CCT** - Available in 2700K, 3000K, 3500K and 4000K, tolerance within a 3-step MacAdam ellipse.

**CRI** - 90+.

**All Drivers** - High efficiency, constant current, soft start, Electronic Class 2 with a PFC > 0.90. For more detailed information on the available drivers please see page 6.

**Sensors** - Selux offers a variety of integral sensor options. Consult factory for details on specifications.

**Emergency** - There are multiple emergency options available - emergency circuit, remote micro inverter, and integral battery pack. All options compliant with UL 924 listed emergency luminaire. Please consult factory for use of sensors with emergency options. For more details on EC and EM options, see page 7.

### Thermal Performance:

**Ambient Operating Temperature** - Luminaires suitable for maximum ambient temperature of 35°C (95°F) for all drivers. Luminaires are suitable for minimum ambient temperatures of -40°C (-40°F) for DIM, DIL, DED, D01 and DL01 drivers; 0°C (32°F) for DC2, DE1 and DC5 drivers.

### Luminaire Finish:

**Powder Coat** - All Selux luminaires are finished in high quality polyester powder coating in our Tiger Drylac certified facility and are tested in accordance with test specifications for coatings from ASTM and PCI.

All products undergo a five stage intensive pretreatment process where product is thoroughly cleaned, phosphated, and sealed. Selux powder coated products provide excellent salt and humidity resistance as well as ultra violet resistance for color retention.

Standard interior colors are White (WH), Semi-Matte Black (BL), and Silver (SV). Selux premium colors (SP) are available, please specify from your Selux color selection guide.

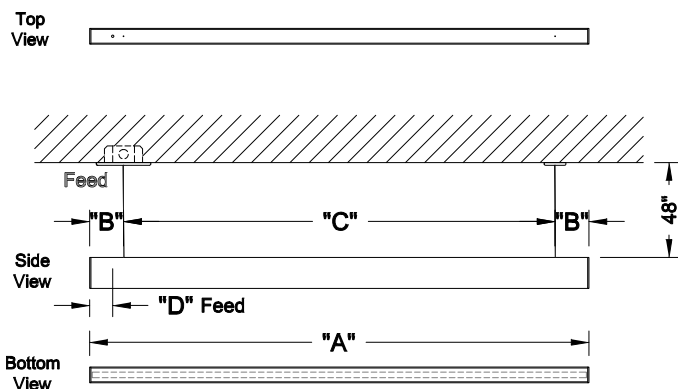
### Warranty:

**5 Year Limited LED Luminaire Warranty** - Selux offers a 5 Year Limited Warranty to the original purchaser that the M36 series LED luminaire shall be free from defects in material and workmanship for up to five (5) years from date of shipment. This limited warranty covers the LED driver and LED light engine when installed according to Selux instructions and operated within the Ambient Temperature. For additional details and exclusions, see "Selux Terms and Condition of Sale."

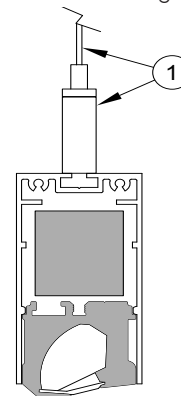
### Certifications and Compliance:

NRTL - For Dry and Damp location  
(I.E. cULus; cCSAus)  
ARRA Compliant  
RoHS Compliant

### Cable Mounting (C)



### Cable Mounting (C)

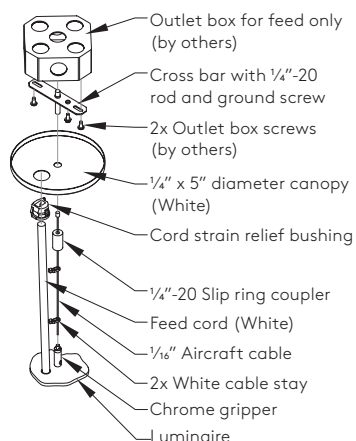


1.  $\varnothing 1/16$ " Aircraft Cable with chrome gripper for easy adjustment (48" max. from ceiling to luminaire).

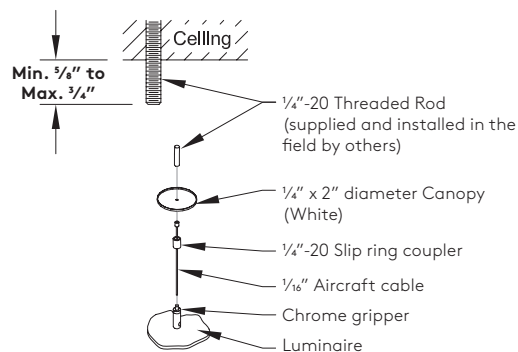
Cable Mounting (C) - Dimensions								
Nominal Length	"A" Housing Length		* "B" (Ref.) End Suspensions		"C" Mid. Suspension		"D" Feed Location	
	Feet/Inch	MM	Feet/Inch	MM	Feet/Inch	MM	Feet/Inch	MM
01 (1 ft.)	1' - 1/2"	317	0' - 2 1/8"	54	0' - 8 1/4"	209	0' - 1 1/8"	29
02 (2 ft.)	2' - 1/2"	622	0' - 2 1/8"	54	1' - 8 1/4"	514	0' - 1 1/8"	29
03 (3 ft.)	3' - 1/2"	927	0' - 3 1/8"	79	2' - 6 1/4"	768	0' - 2 1/8"	54
04 (4 ft.)	4' - 1/2"	1232	0' - 3 1/8"	79	3' - 6 1/4"	1073	0' - 2 1/8"	54
05 (5 ft.)	5' - 1/2"	1536	0' - 3 1/8"	79	4' - 6 1/4"	1378	0' - 2 1/8"	54
06 (6 ft.)	6' - 1/2"	1841	0' - 3 1/8"	79	5' - 6 1/4"	1682	0' - 2 1/8"	54
07 (7 ft.)	7' - 1/2"	2146	0' - 3 1/8"	79	6' - 6 1/4"	1987	0' - 2 1/8"	54
08 (8 ft.)	8' - 1/2"	2451	0' - 3 1/8"	79	7' - 6 1/4"	2292	0' - 2 1/8"	54
09 (9 ft.)	9' - 1/2"	2756	0' - 3 1/8"	79	8' - 6 1/4"	2597	0' - 2 1/8"	54
10 (10ft.)	10' - 1/2"	3060	0' - 3 1/8"	79	9' - 6 1/4"	2902	0' - 2 1/8"	54
11 (11ft.)	11' - 1/2"	3365	0' - 3 1/8"	79	10' - 6 1/4"	3206	0' - 2 1/8"	54
12 (12ft.)	12' - 1/2"	3670	0' - 3 1/8"	79	11' - 6 1/4"	3511	0' - 2 1/8"	54

\*Dimension(s) rounded to the nearest 1/16" with a  $\pm 1/16$  (1mm) tolerance.

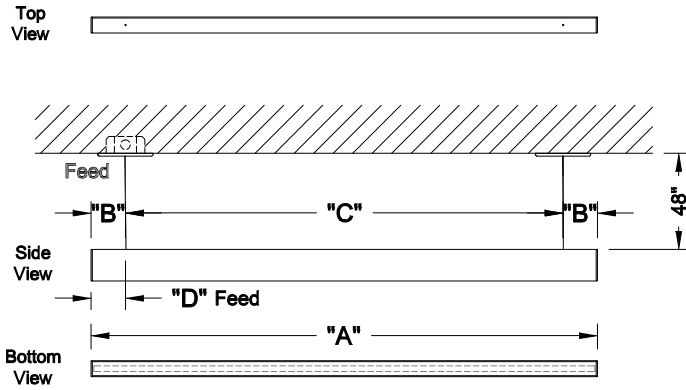
### L36 Cable (C) Suspension Detail (Feed location(s) only)



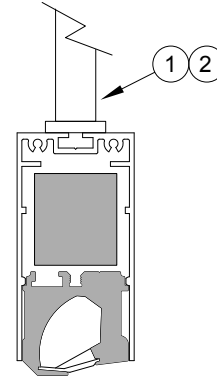
### L36 Cable (C) Suspension Detail (Non-Feed location(s) only)



Stem Mounting (S & RS)



Stem Mounting (S & RS)

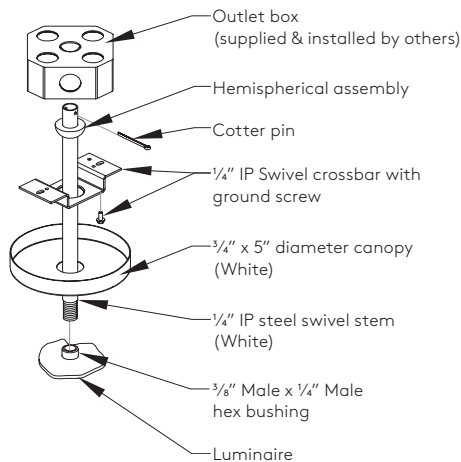


1.  $\varnothing$  1/2" Swivel Stem provides 45° swivel and **can be cut in field** (48" max. from ceiling to luminaire).
2.  $\varnothing$  1/2" Rigid Stem is fixed and is **not able to be cut/adjusted in field** (48" max. from ceiling to luminaire).

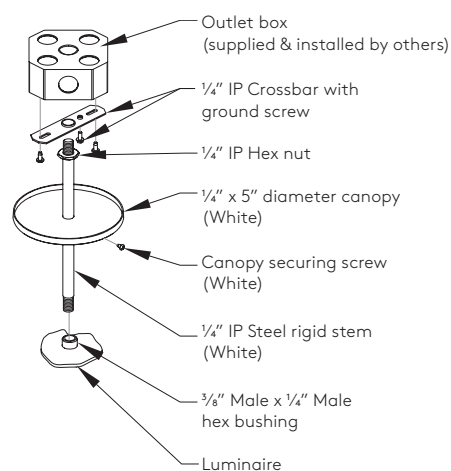
Swivel (S) & Rigid Stem (RS) Mountings - Dimensions								
Nominal Length	"A" Housing Length		* "B" (Ref.) End Suspensions		"C" Mid. Suspension		"D" Feed Location	
	Feet/Inch	MM	Feet/Inch	MM	Feet/Inch	MM	Feet/Inch	MM
01 (1 ft.)	1' - 1/2"	317	0' - 2 1/8"	54	0' - 8 1/4"	209	0' - 1 1/8"	29
02 (2 ft.)	2' - 1/2"	622	0' - 2 1/8"	54	1' - 8 1/4"	514	0' - 1 1/8"	29
03 (3 ft.)	3' - 1/2"	927	0' - 3 1/8"	79	2' - 6 1/4"	768	0' - 2 1/8"	54
04 (4 ft.)	4' - 1/2"	1232	0' - 3 1/8"	79	3' - 6 1/4"	1073	0' - 2 1/8"	54
05 (5 ft.)	5' - 1/2"	1536	0' - 3 1/8"	79	4' - 6 1/4"	1378	0' - 2 1/8"	54
06 (6 ft.)	6' - 1/2"	1841	0' - 3 1/8"	79	5' - 6 1/4"	1682	0' - 2 1/8"	54
07 (7 ft.)	7' - 1/2"	2146	0' - 3 1/8"	79	6' - 6 1/4"	1987	0' - 2 1/8"	54
08 (8 ft.)	8' - 1/2"	2451	0' - 3 1/8"	79	7' - 6 1/4"	2292	0' - 2 1/8"	54
09 (9 ft.)	9' - 1/2"	2756	0' - 3 1/8"	79	8' - 6 1/4"	2597	0' - 2 1/8"	54
10 (10 ft.)	10' - 1/2"	3060	0' - 3 1/8"	79	9' - 6 1/4"	2902	0' - 2 1/8"	54
11 (11 ft.)	11' - 1/2"	3365	0' - 3 1/8"	79	10' - 6 1/4"	3206	0' - 2 1/8"	54
12 (12 ft.)	12' - 1/2"	3670	0' - 3 1/8"	79	11' - 6 1/4"	3511	0' - 2 1/8"	54

\*Dimension(s) rounded to the nearest 1/16" with a  $\pm$  1/16" (1mm) tolerance.

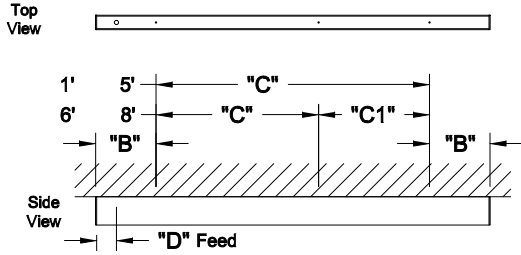
L36 Swivel Stem (S) Suspension Detail  
(feed wires through stem supplied by Selux)



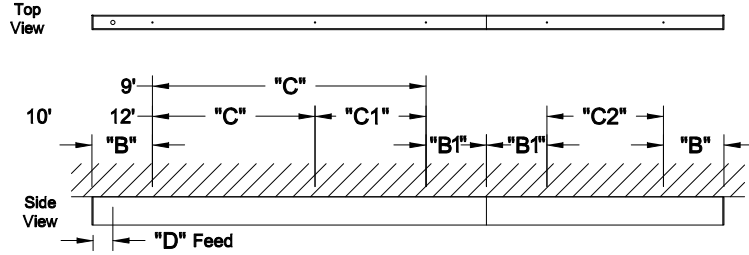
L36 Rigid Stem (RS) Suspension Detail  
(feed wires through stem supplied by Selux)



Surface Mounting (FF, F2 & F4) - 1' to 8'



Surface Mounting (FF, F2 & F4) - Over 9'

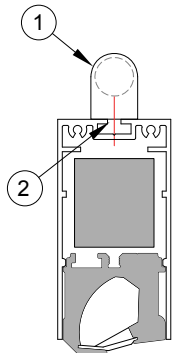


Surface Mount (FF, F2, & F4) - Dimensions

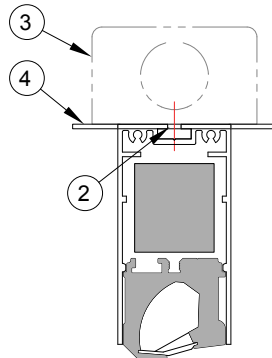
Nominal Length	"A" Housing Length		* "B" (Ref.) End Suspensions		* "B1" End Suspensions		"C" Mid. Suspension		"C1" Mid. Suspension		"C2" Mid. Suspension		"D" Feed Location	
	Feet/Inch	MM	Feet/Inch	MM	Feet/Inch	MM	Feet/Inch	MM	Feet/Inch	MM	Feet/Inch	MM	Feet/Inch	MM
01 (1 ft.)	1' - 1/2"	317	0' - 1 5/8"	41	N/A		0' - 9 1/4"	235	N/A		N/A		0' - 4 1/8"	105
02 (2 ft.)	2' - 1/2"	622	0' - 1 5/8"	41	N/A		1' - 9 1/4"	539	N/A		N/A		0' - 4 1/8"	105
03 (3 ft.)	3' - 1/2"	927	0' - 6 1/8"	156	N/A		2' - 1/4"	616	N/A		N/A		0' - 2 1/8"	54
04 (4 ft.)	4' - 1/2"	1232	0' - 6 1/8"	156	N/A		3' - 1/4"	920	N/A		N/A		0' - 2 1/8"	54
05 (5 ft.)	5' - 1/2"	1536	0' - 6 1/8"	156	N/A		4' - 1/4"	1225	N/A		N/A		0' - 2 1/8"	54
06 (6 ft.)	6' - 1/2"	1841	0' - 6 1/8"	156	N/A		3' - 0"	914	2' - 1/4"	616	N/A		0' - 2 1/8"	54
07 (7 ft.)	7' - 1/2"	2146	0' - 6 1/8"	156	N/A		3' - 0"	914	3' - 1/4"	920	N/A		0' - 2 1/8"	54
08 (8 ft.)	8' - 1/2"	2451	0' - 6 1/8"	156	N/A		3' - 0"	914	4' - 1/4"	1225	N/A		0' - 2 1/8"	54
09 (9 ft.)	9' - 1/2"	2756	0' - 6 1/8"	156	0' - 6"	152	3' - 10 3/16"	1180	N/A		3' - 1 13/16"	960	0' - 2 1/8"	54
10 (10ft.)	10' - 1/2"	3060	0' - 6 1/8"	156	0' - 6"	152	3' - 0"	914	2' - 1/4"	616	3' - 0"	914	0' - 2 1/8"	54
11 (11ft.)	11' - 1/2"	3365	0' - 6 1/8"	156	0' - 6"	152	3' - 0"	914	3' - 1/4"	920	3' - 0"	914	0' - 2 1/8"	54
12 (12ft.)	12' - 1/2"	3670	0' - 6 1/8"	156	0' - 6"	152	3' - 0"	914	4' - 1/4"	1225	3' - 0"	914	0' - 2 1/8"	54

\*Dimension(s) rounded to the nearest 1/16" with a ± 1/16 (1mm) tolerance.

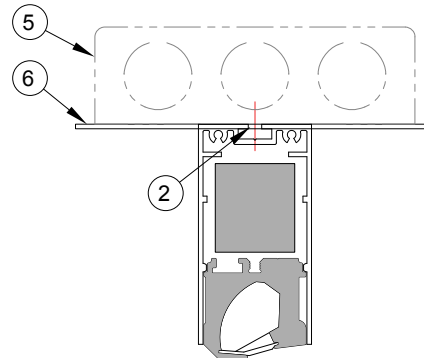
Surface Mount (FF)\*  
(with Flex Whip)



Surface Mount (F2)  
(with 2x4 J-Box cover)



Surface Mount (F4)  
(with 4x4 J-Box cover)



\*Please note:  
Fixture does not cover a J-Box.

1. 6' Flex Whip
2. Ø 5/16" Mounting hole drilled at the factory (mounting hardware to code by others).
3. 2"x 4" J-Box at feed location (supplied and installed by others).
4. 2"x 4" J-Box cover (by Selux).
5. 4"x 4" J-Box at feed location (supplied and installed by others).
6. 4"x 4" J-Box cover (by Selux).

**Drivers:**

**0-10V linear dimming (DIM)**

Luminaires supplied with drivers offering the capability of either normal switched operation of 0-10V dimming for linear dimming curve. Fixtures ship wired for dimming. For on/off functionality, simply cap the dimming leads. Minimum dimming level preset at factory to 1%. (Due to size constraints, 1' luminaires are supplied with a driver from a different manufacturer than 2' and above luminaires. For details, please consult factory).

**0-10V logarithmic eldoLED ECOdrive dimming (DIL)**

Luminaires supplied with drivers offering the capability of either normal switched operation or 0-10V dimming for logarithmic dimming curve. Fixtures ship wired for dimming. For on/off functionality, simply cap the dimming leads. Minimum dimming level preset at factory to 1%.

**eldoLED ECOdrive DALI dimming (DED)**

Luminaires supplied with ECOdrive DALI dimming driver for logarithmic dimming curve. Minimum dimming level preset at factory to 1%. For "dim to dark" (down to 0.1%), please consult factory.

**eldoLED SOLOdrive 0-10V linear dimming (D01)**

Luminaires supplied with SOLOdrive 0-10V dimming driver for linear dimming curve. Minimum dimming level preset at factory to 0.1% and "dim to dark".

**eldoLED SOLOdrive 0-10V logarithmic dimming (DL01)**

Luminaires supplied with SOLOdrive DA0-10V dimming driver for logarithmic dimming curve. Minimum dimming level preset at factory to 0.1% and "dim to dark".

**LUTRON 2-wire dimming (DC2)**

Luminaires supplied with Hi-Lume 2-wire dimming driver (120V only) programmed for Constant Current Reduction (CCR). For Pulse Width Modulation (PWM) dimming, please consult factory. Minimum dimming level down to 1%.

**LUTRON EcoSystem dimming (DE1/DC5)**

Luminaires supplied with Hi-Lume EcoSystem (4 wire, digital link) dimming driver programmed for Constant Current Reduction (CCR). Minimum dimming level down to 1% (DE1) with SoftOn/FadeToBlack or 5% (DC5).

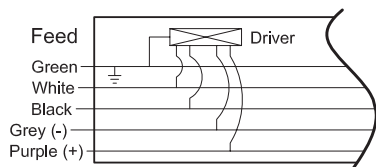
\* For control recommendations please contact driver manufacturer

	Driver Quantity												RUN
	1 ft.	2 ft.	3 ft.	4 ft.	5 ft.	6 ft.	7 ft.	8 ft.	9 ft.	10 ft.	11 ft.	12 ft.	
DIM, DIL	1	1	1	1	1	1	1	1	1	2	2	2	Consult factory
DED, D01, and DL01 drivers	N/A	1	1	1	1	1	1	1	1	1	1	1	Consult factory
DC2, DE1, and DC5 drivers	N/A	1	1	1	1	1	1	1	1	2	2	2	Consult factory

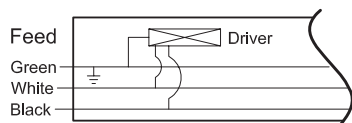
\*For inrush and control current, please refer to the driver manufacturers' spec sheets.

**Wiring Diagrams**

- 0-10V linear (DIM)
- 0-10V logarithmic eldoLED ECOdrive (DIL)
- DALI logarithmic eldoLED ECOdrive (DED)
- 0-10V linear eldoLED SOLOdrive (D01)
- 0-10V logarithmic eldoLED SOLOdrive (DL01)

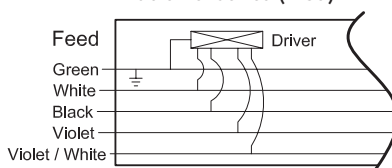


Lutron 2-Wire (DC2)



Standard Wiring supplied for all drivers.	Green = Ground White = Neutral Black = Hot
<b>- The following wire(s) are in addition to the standard above -</b>	
DIM, DIL, DED D01, DL01	Gray = (-) DALI or 0-10V Dimming Control Purple = (+) DALI or 0-10V Dimming Control
DC2	No additional wires
DE1, DC5	Violet = "E1" Digital Link Dimming Control Violet/White = "E2" Digital Link Dimming Control

Lutron EcoSystem (DE1)  
Lutron 5-Series (DC5)



**Fuse (FS)** - Fusing, luminaires supplied with an in-line fuse located on the hot wire for each feed. (Supplied with an 8A slow burn fuse).

**Damp Location (DL)** - Luminaires are suitable for use in damp location(s). Examples of such locations include protected areas under canopies, marquees, roofed porches, and similar locations where the fixture(s) are protected from direct contact with rain, snow, or excessive moisture (such as ocean spray). Interior locations include areas subject to moderate degrees of moisture, such as basements and certain barns and cold storage buildings.

\*For Damp Location with sensors, please consult factory.

**Emergency Wiring (EC)** - luminaires with (EC) option are compliant to UL 924 listed emergency luminaire. EC luminaires are intended to be wired to separate panels/breakers for emergency use. See install instructions for proper wiring.

For 1' to 6' nominal luminaires, the entire fixture is wired for operation on emergency circuit.

For 7' and up nominal luminaires, the first 4' nominal length is wired for operation by a separate EM circuit by default to meet the required "Life Safety Code" (NFPA 101).

If a different configuration is needed, please consult factory.

Note: Wiring may vary slightly due to on-site conditions or local codes. Please follow all safety installation protocols contained within install instructions when installing luminaire.

**Emergency Battery (EM)** - luminaires with emergency battery (EM) option are compliant to UL 924 listed emergency luminaire. The EM battery is located integral to fixture and is factory pre-wired. See install instructions for proper wiring.

In the event of an emergency, EM battery will illuminate a 4' section at 12 watts (constant) for 90 minutes at 25°C. Recharge time is 24 hours.

Direct fixtures are available for Emergency Battery use in 4' and ≥6. Due to size constraints, EM is not available in 5' fixtures.

For individual fixtures, emergency option will illuminate the first 4' section of fixture. For continuous runs, please consult factory to advise on 4' section intended for emergency use. For fixtures >12' or if a different configuration is needed, please consult factory.

Emergency test switch and plate is a non-illuminated 3" blank section located adjacent to the length of fixture wired for emergency.

Emergency battery is suitable for a minimum temperature of 32°F. For lower temperatures, please consult factory.

\*Emergency battery option is UNV for use with 120V or 277V and is not available for 347V.

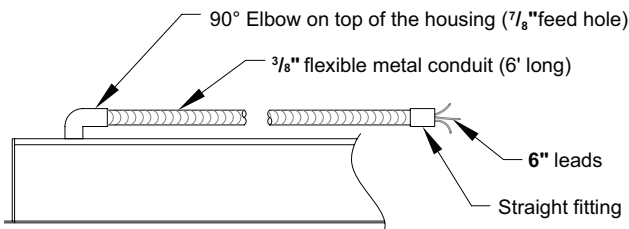
\*Please note battery pack requires an unswitched hot.

\*For EM with sensors, please consult factory.

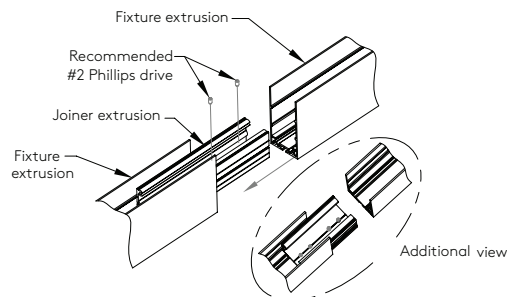
\*If a different configuration is needed, please consult factory.

Note: Wiring may vary slightly due to on-site conditions or local codes. Please follow all safety installation protocols contained within install instructions when installing luminaire.

**Flex Whip** - standard for FF mounting



**Joiner System** - standard for Runs and Configurations



**Standard Direct shapes/configurations:**

Listed below are the minimum lengths and details for unlit horizontal 90° outside corners. These standard corners can be combined with each other and/or the standard luminaire lengths, ensuring full even illumination. If you have any questions, please consult the factory.

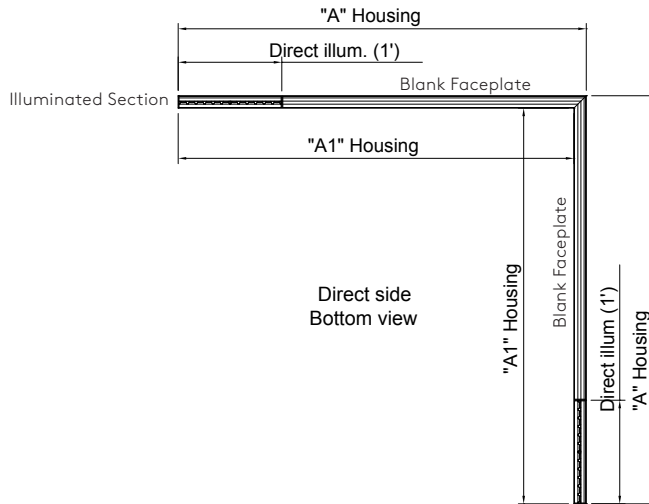
The minimum standard lengths for "L" shapes:

- OL9 is 4' x 4' nominal (example: leg, 90, leg)
- Unlit corners are achieved with a blank faceplate that maintains the shape and contour of the optic civer for consistent visual appearance.
- Standard unlit corner lengths are 36" to match with optimal wall washer distance from wall. If another length is desired, please consult factory.
- For inside corners, please consult factory.

**Project Specific Direct shapes/configurations:**

Selux is capable of supplying a wide range of project solutions including different shapes, angles, and sizes to meet the project requirements. Due to the complex nature of these project specific layout(s) we ask that you please consult the factory with the project requirements for review.

**OL9 - Unlit 90° Outside Corner**



Direct Unlit Corner and Section - Dimensions		
	IL90 (Outside - unlit)	
	Feet/Inch	MM
"A" Housing (Outside)	48"	1219
"A1" Housing (Inside)	46 5/16"	1182

\*Dimension(s) rounded to the nearest 1/16" with a ± 1/16 (1mm) tolerance.

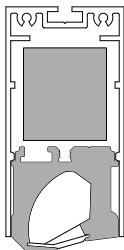


M36 MRC Wall Washer  
LED Direct

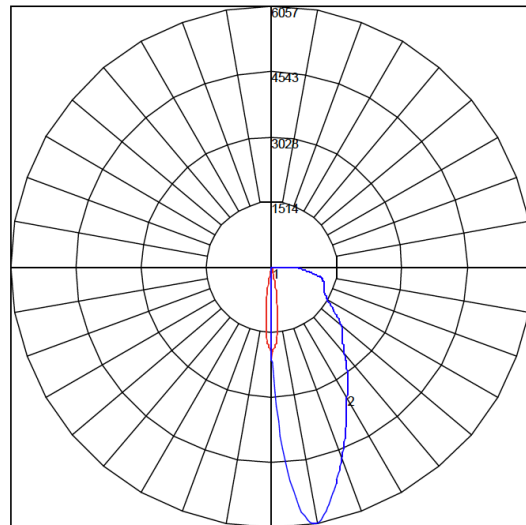


Photometry

WW Optics Direct / 37W / 3500K

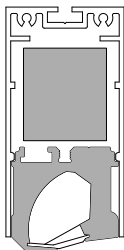


Catalog #: L36-A45-WW-935-XX-04-XX-UNV  
Report #: 13212221.20  
Delivered Lumens: 2889  
Input Watts: 37  
Efficacy: 78  
CCT: 3500K  
CRI (Ra): 93.7

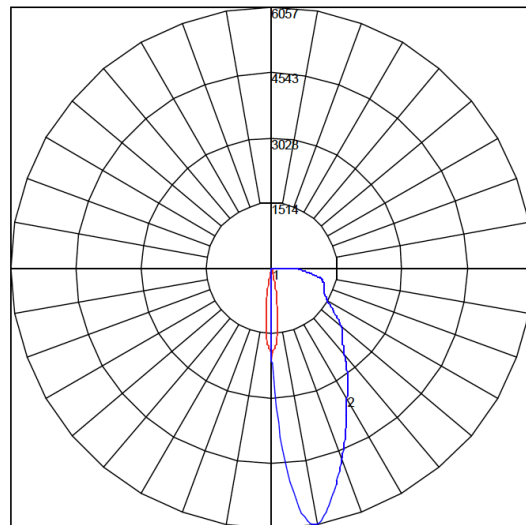


Maximum Candela = 6056.73 Located At Horizontal Angle = 0, Vertical Angle = 9.5  
# 1 - Vertical Plane Through Horizontal Angles (90 - 270)  
# 2 - Vertical Plane Through Horizontal Angles (0 - 180)

WW Optics Direct / 29W / 3500K

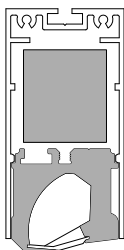


Catalog #: L36-A35-WW-935-XX-04-XX-UNV  
Report #: 13212221.20  
Delivered Lumens: 2246  
Input Watts: 28.8  
Efficacy: 78  
CCT: 3500K  
CRI (Ra): 93.7

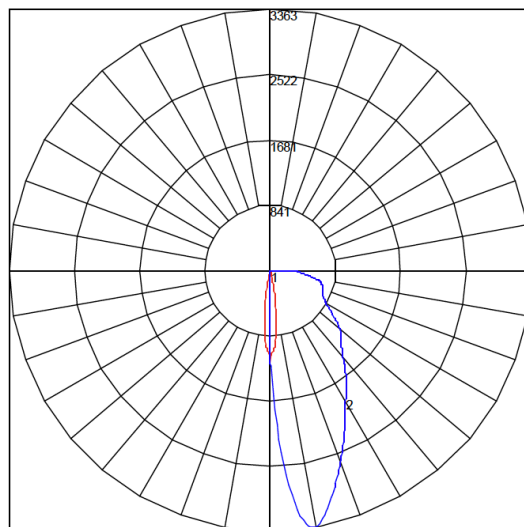


Maximum Candela = 6056.73 Located At Horizontal Angle = 0, Vertical Angle = 9.5  
# 1 - Vertical Plane Through Horizontal Angles (90 - 270)  
# 2 - Vertical Plane Through Horizontal Angles (0 - 180)

WW Optics Direct / 21W / 3500K



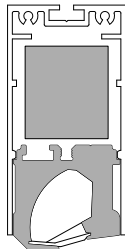
Catalog #: L36-A25-WW-935-XX-04-XX-UNV  
Report #: 13212221.20  
Delivered Lumens: 1604  
Input Watts: 20.6  
Efficacy: 78  
CCT: 3500K  
CRI (Ra): 93.7



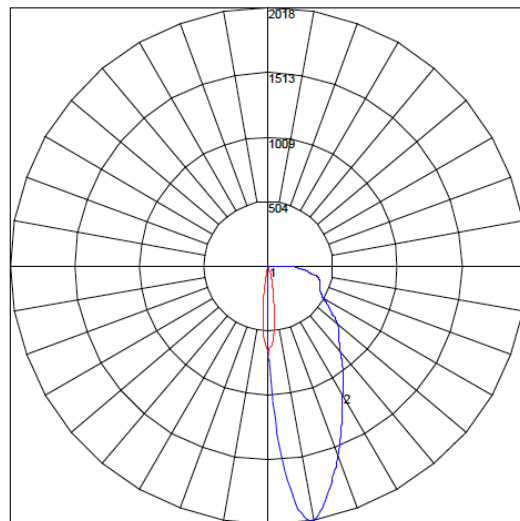
Maximum Candela = 3362.891 Located At Horizontal Angle = 0, Vertical Angle = 9.5  
# 1 - Vertical Plane Through Horizontal Angles (90 - 270)  
# 2 - Vertical Plane Through Horizontal Angles (0 - 180)

**Photometry**

WW Optics Direct / 13W / 3500K



Catalog #: L36-A15-WW-935-XX-04-XX-UNV  
Report #: 13212221.20  
Delivered Lumens: 963  
Input Watts: 12.3  
Efficacy: 78  
CCT: 3500K  
CRI (Ra): 93.7



Maximum Candela = 2017.735 Located At Horizontal Angle = 0, Vertical Angle = 9.5  
# 1 - Vertical Plane Through Horizontal Angles (90 - 270)  
# 2 - Vertical Plane Through Horizontal Angles (0 - 180)

M36 MRC Wall Washer	
CCT Multiplier	
4000K	1.02
3500K	1.00
3000K	0.97
2700K	0.93

CCT multipliers apply to the photometry, IES files, and per foot values listed on page 1 (light engine).

Light engine and lens multiplier supplied for per foot values listed on page 1 (light engine).