

Date: _____ Customer: _____
 Project: _____
 Type: _____ Qty: _____



Inula Speaker Bollard LED



Order Code: ISBL - - - - -

ISBL	Series	ISBL Inula Speaker Bollard LED								
	Height	3.5 3.5'	4 4'							
	Light Engine	1Q 7.6W/577lm	2Q90 14.1W/1156lm	2Q90MU 14.1W/854lm (max uniformity)	2Q180 14.1W/1156lm	3Q 20.5W/1689lm	4QS 27.2W /2246lm	4QD 27.2W/2246lm	* Based on 5000K CCT	
	CCT	AM ¹ Amber	27 ¹ 2700K	30 ¹ 3000K	40 4000K	50 5000K			¹ IDA Approved For other CCT please consult factory	
	Finish	WH White	BK Black	BL Semi-Matte Black	BZ Bronze	SV Silver	SP Specify Premium Color	* Custom colors available. Please consult factory.		
	Voltage	UNV 120-277V								
	Options	DM Dimming (0-10V)	LP ² Lower Power Version Decreases Light Output by 60%	HP High Power Version Increases Light Output by 100%						² For 1Q, 2Qxx and 3Q please consult factory

Product Modifications

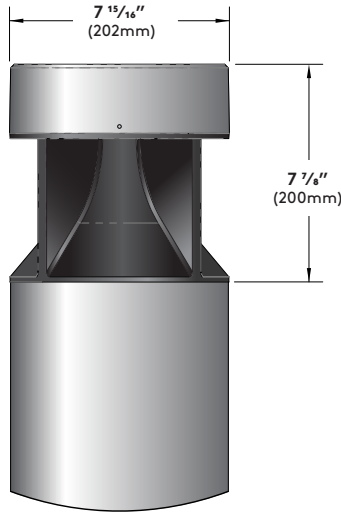
Please list modification requirements for review by factory:

Approvals

Date:

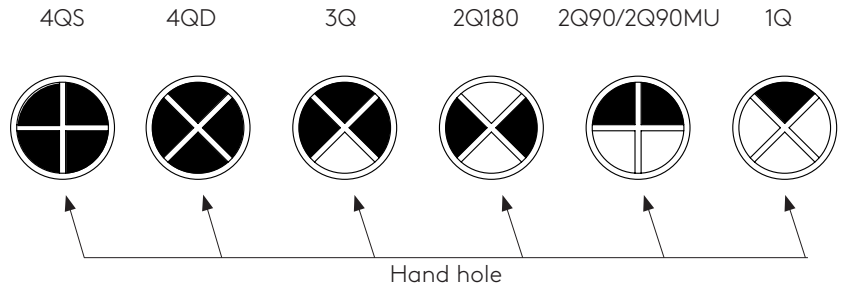


ISBL



Net Weight (39 lbs) for 4' bollard

LED Light Engine Distribution Guide



Specifications

Fixture Housing - Die cast low-copper and low-iron aluminum fixture body provide corrosion resistance in marine environments.

Gasketing - Continuous gaskets provide weather-proofing, dust, and insect control between castings.

LED Light Engine - High efficiency LED light engine equipped with brand-name LEDs, available in 2700K, 3000K, 4000K, 5000K CCT tolerance within a 3-step MacAdams ellipse, and Amber CCT. Suitable for max ambient temperatures up to 45°C.

Optics - Proprietary vandal and UV resistant acrylic optic provides optimal light blending between quadrants.

Surge Protector - Designed to protect luminaire from electrical surge (20kA).

Low Power Option - 60% decrease in Lumen output in same physical package.

High Power Option - 100% increase in Lumen output in same physical package.

Light Chamber - Castings around Light Engine are painted with special Matte Black light absorbing powder coat paint. Meets International Dark-Sky Association (IDA) requirements B0, U0, and G0 BUG ratings at 2700, 3000K CCT and with Amber LEDs.

Speaker - Brand name all weather outdoor loud speaker. Pre-installed in bollard body.

Exterior Luminaire Finish - Selux utilizes a high quality Polyester Powder Coating. All Selux luminaires and poles are finished in our Tiger Drylac certified facility and undergo a five stage intensive pretreatment process where product is thoroughly cleaned, phosphated and sealed. Selux powder coated products provide excellent salt and humidity resistance as well as ultraviolet resistance for color retention. All products are tested in accordance with test specifications for coatings from ASTM and PCI.

Standard exterior colors are White (WH), Black (BK), Semi-Matte Black (BL), Bronze (BZ), and Silver (SV). Selux premium colors (SP) are available, please specify from your Selux color selection guide.

5 Year Limited LED Luminaire Warranty - Selux offers a 5 Year Limited Warranty to the original purchaser that the Inula Bollard LED luminaire shall be free from defects in material and workmanship for up to five (5) years from date of shipment. This limited warranty covers the LED driver and LED array when installed and operated according to Selux instructions. For details, see "Selux Terms and Condition of Sale."

Listings and Ratings: Tested to NRTL Wet Location and IESNA LM-79-08 standards. LED tested to LM-80 standards.

Luminaire tested to IK10 standard and IDA Approved.

Luminaire and LED tested at 25°C (77°F) ambient temperature.

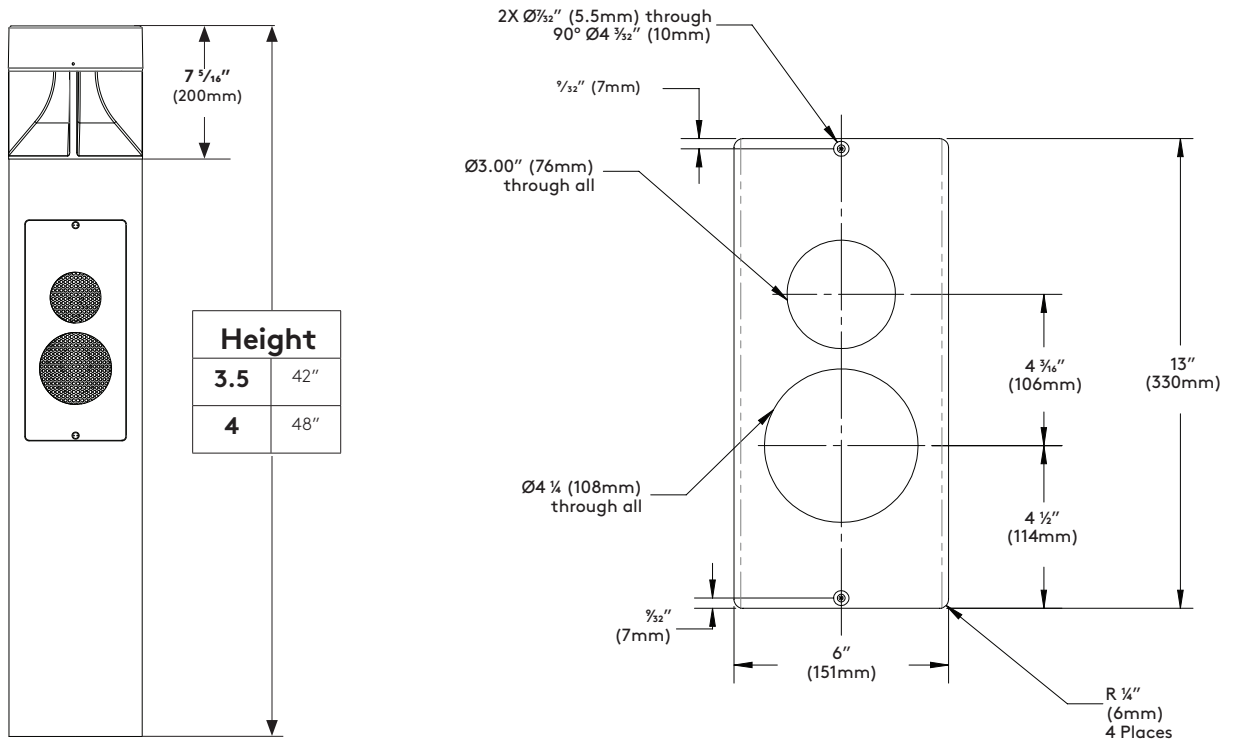
Visit selux.us for our LED End of Life recycling policy.

TM-21 Lifetime Calculation					
Light Engine	Ambient Temp (°C)	Lumen Maintenance (% at hours)			Reported L70 ¹
		25K	50K	70K	
All ²	25°C	99.8%	99.8%	99.8%	L70(12k) > 70,000 hours
	40°C	99.8%	99.8%	99.8%	L70(12k) > 70,000 hours

¹ Calculated in accordance with IESNA TM-21-11, projected values are within 6 times (6x) the IESNA LM-80-08 test duration

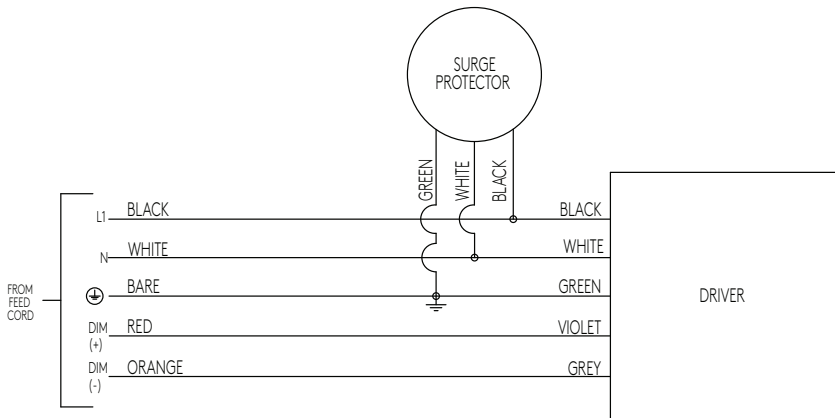
² Thermal measurements based on Order Code: IBL-x-2Q90MU-27-SV-UNV

Profiles ISBL-XX-4QD



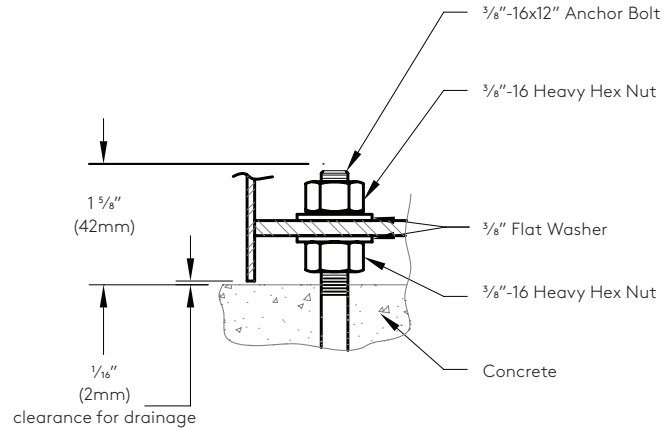
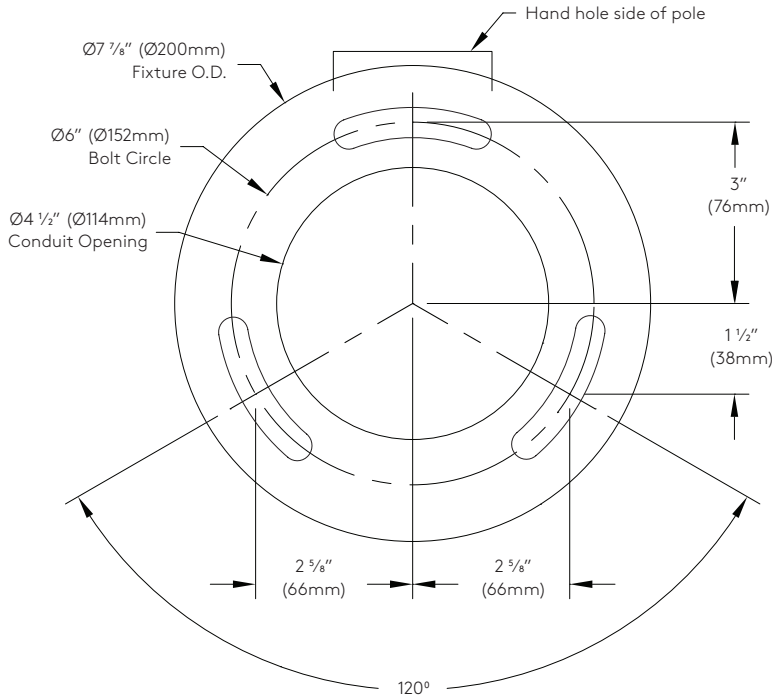
Wiring

Dimming Option (DM) Wiring (120V-277V)



Mounting Information

- Notes:
1. Bollard orientation is critical, rod and hand hole locations are critical.
 2. Locate single bolt and hand hole location.
 3. Adequate drainage must be provided in concrete foundation.
 4. Conduit should be stubbed up above the concrete footing.



Bolt Circle Detail (Not to Scale)

Use caution when setting anchor bolts. Bolts must be vertically straight and centered on dimensions shown.

Speaker Detail

All Weather Outdoor Loud Speaker with 4 1/2" driver and 3/4" Tweeter

Audio Quality

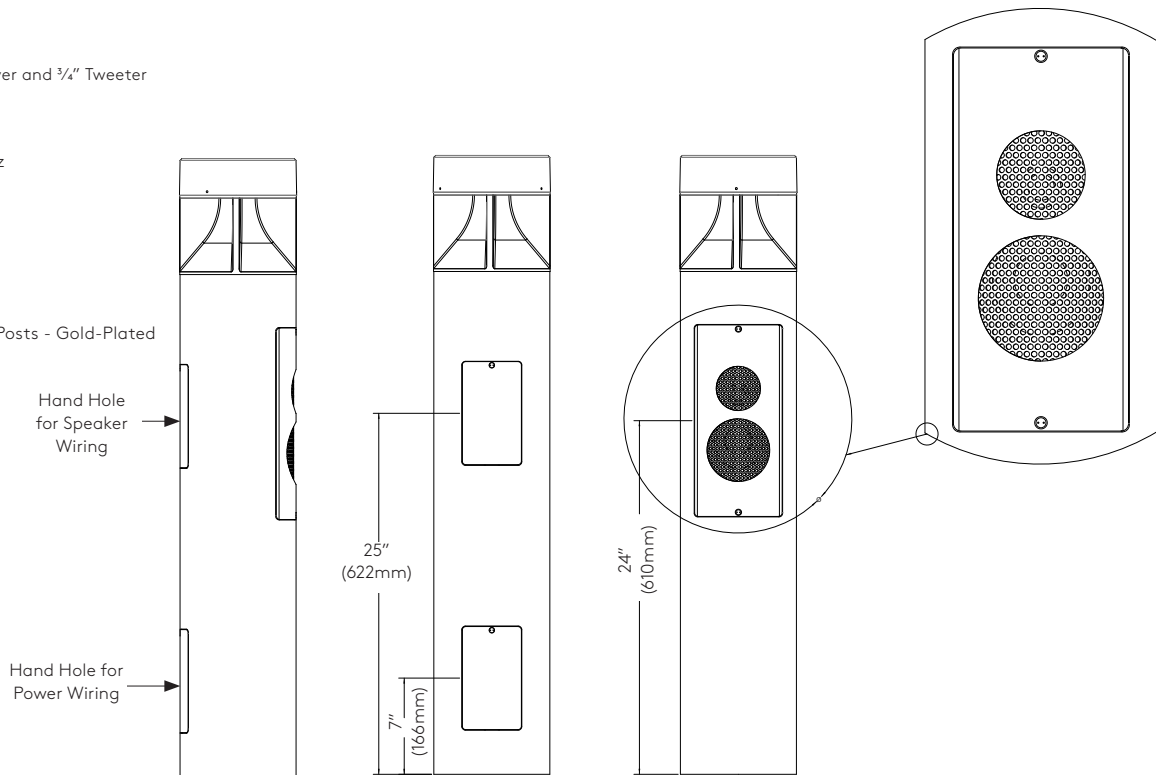
- Total frequency response 75Hz - 25,000Hz
- Nominal Impedance 8 ohms
- Sensitivity (1W at 1 meter) 89 dB

External Amplifier

- Audio Inputs
- Ethernet
- Speaker Inputs (2) pair of 5-way Binding Posts - Gold-Plated

Speaker Warranty

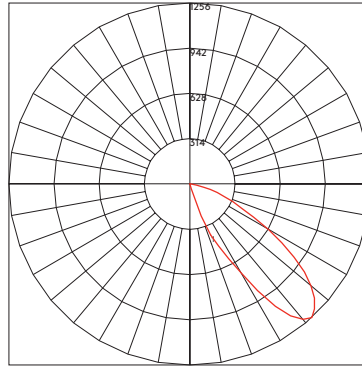
- Cabinet 5 Years
- Driver 5 Years



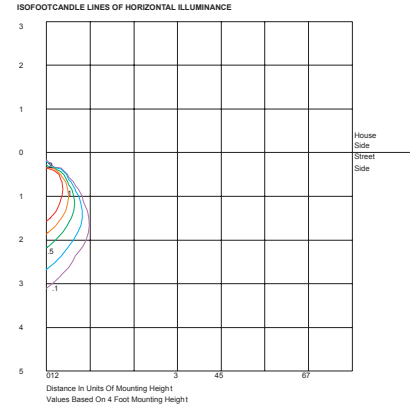
Photometry

1Q / 8W LED / 5000K CCT

Catalog #: IBL-X-1Q-50-XX-120-DS
 Report #: 1197031-50
 Maximum candela of 1256 at 42.5° from vertical.
 Mounting Height = 4' (1.22 m)
 577 Delivered Lumens
 75 Lumens per Watt
 B0-U0-G0



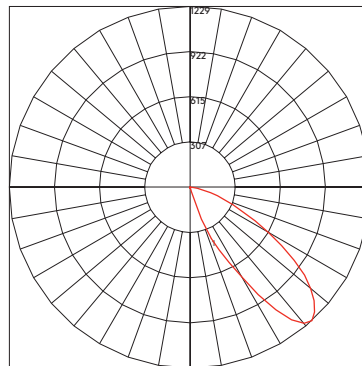
Maximum Candela = 1256.772 Located At Horizontal Angle = 315, Vertical Angle = 42.5
 # 1 - Vertical Plane Through Horizontal Angles (315 - 135) (Through Max. Cd.)



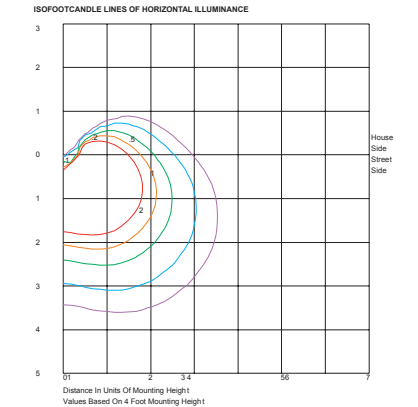
Distance In Units Of Mounting Height
 Values Based On 4 Foot Mounting Height

2Q90 / 14W LED / 5000K CCT

Catalog #: IBL-X-2Q90-50-XX-120-DS
 Report #: 1197029-50
 Maximum candela of 1229 at 42.5° from vertical.
 Mounting Height = 4' (1.22 m)
 1158 Delivered Lumens
 82 Lumens per Watt
 B0-U0-G0



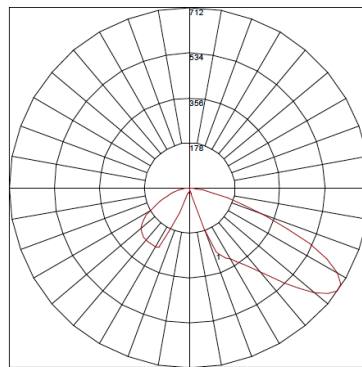
Maximum Candela = 1229.367 Located At Horizontal Angle = 45, Vertical Angle = 42.5
 # 1 - Vertical Plane Through Horizontal Angles (45 - 225) (Through Max. Cd.)



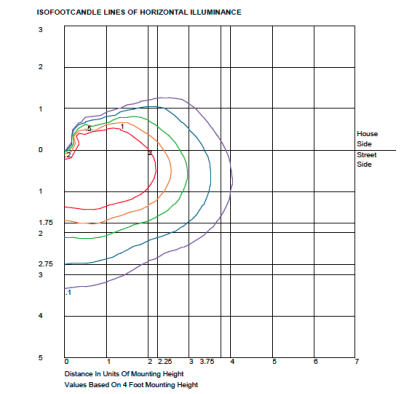
Distance In Units Of Mounting Height
 Values Based On 4 Foot Mounting Height

2Q90MU / 14W LED / 5000K CCT

Catalog #: IBL-XX-2Q90MU-50-XX-120-DS
 Report #: 13374611.02
 Maximum candela of 712 at 55° from vertical.
 Mounting Height = 4' (1.22 m)
 854 Delivered Lumens
 61 Lumens per Watt
 B0-U0-G1



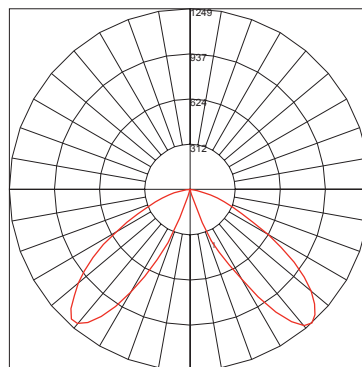
Maximum Candela = 712.165 Located At Horizontal Angle = 75, Vertical Angle = 55
 # 1 - Vertical Plane Through Horizontal Angles (75 - 255) (Through Max. Cd.)



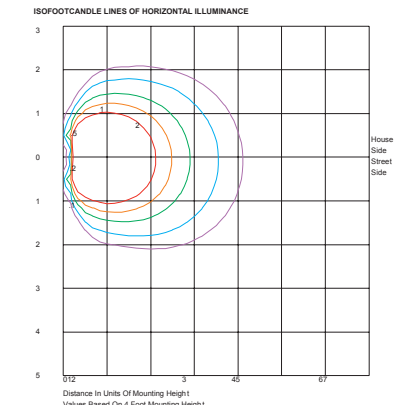
Distance In Units Of Mounting Height
 Values Based On 4 Foot Mounting Height

2Q180 / 14W LED / 5000K CCT

Catalog #: IBL-X-2Q180-50-XX-120-DS
 Report #: 1197024-50
 Maximum candela of 1249 at 42.5° from vertical.
 Mounting Height = 4' (1.22 m)
 1156 Delivered Lumens
 81 Lumens per Watt
 B1-U0-G0



Maximum Candela = 1248.93 Located At Horizontal Angle = 85, Vertical Angle = 42.5
 # 1 - Vertical Plane Through Horizontal Angles (85 - 265) (Through Max. Cd.)

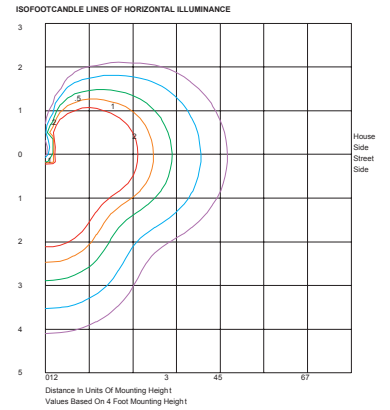
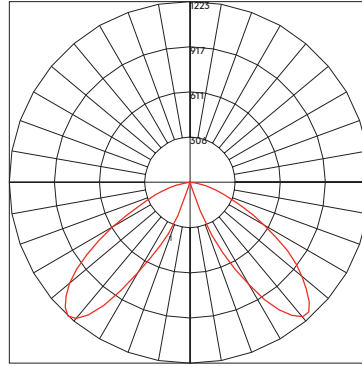


Distance In Units Of Mounting Height
 Values Based On 4 Foot Mounting Height

Photometry

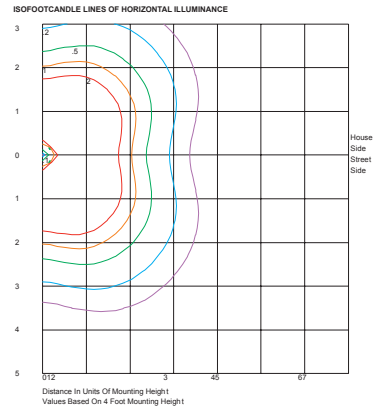
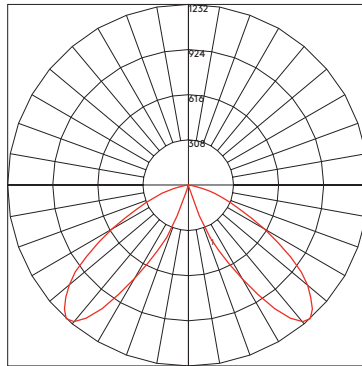
3Q / 20W LED / 5000K CCT

Catalog #: IBL-X-3Q-50-XX-120-DS
 Report #: 1197021-50
 Maximum candela of 1223 at 42.5° from vertical.
 Mounting Height = 4' (1.22 m)
 1689 Delivered Lumens
 82 Lumens per Watt
 B1-U0-G0



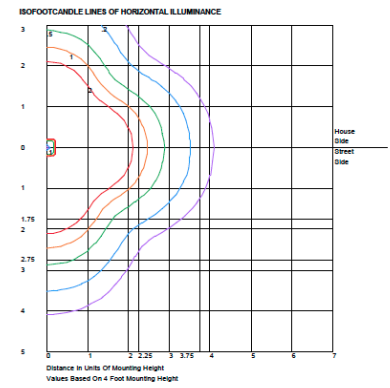
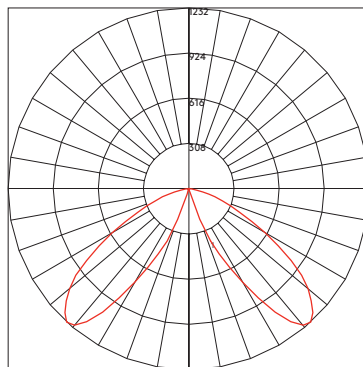
4QS / 27W LED / 5000K CCT

Catalog #: IBL-X-4QS-50-XX-120-DS
 Report #: 1197039-50
 Maximum candela of 1232 at 42.5° from vertical.
 Mounting Height = 4' (1.22 m)
 2246 Delivered Lumens
 83 Lumens per Watt
 B1-U0-G0



4QD / 27W LED / 5000K CCT

Catalog #: IBL-X-4QD-50-XX-120-DS
 Report #: 1197039-50
 Maximum candela of 1232 at 42.5° from vertical.
 Mounting Height = 4' (1.22 m)
 2246 Delivered Lumens
 83 Lumens per Watt
 B1-U0-G0



CCT Multiplier	
3000K to Amber	0.220847
3000K to 2700K	0.926034
3000K to 3000K	1.000000
3000K to 4000K	1.000000
3000K to 5000K	1.069014