

Date: _____ Customer: _____
 Project: _____
 Type: _____ Qty: _____



Inula Bollard LED Solar



Order Code: IBL - - - - -

IBLS	Series	IBLS Inula Bollard LED Solar						
	Height	2 2 ft. (consult factory)	2.5 2.5 ft	3 3 ft	3.5 3.5 ft	4 4 ft		
	Light Engine	1Q*	2Q90*	2Q180*	3Q*	4QS	4QD	*Typical lumen output between 102 and 205 lumens depending on lighting profile
	CCT	30 ¹ 3000K	45 4500K					¹ IDA Approved For other CCT, please consult factory
	Finish	SV Silver						For other colors, please consult factory
	Lighting Profile	00 Dusk till Dawn	04 5 hours pm - Peak 30% Dim 1 hour am - Peak	05 3 hours pm - Peak 30% Dim				
	Options	GS Ground Screw						

Product Modifications

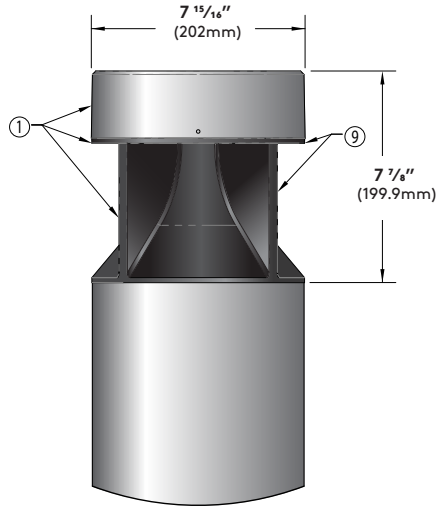
Please list modification requirements for review by factory:

Approvals

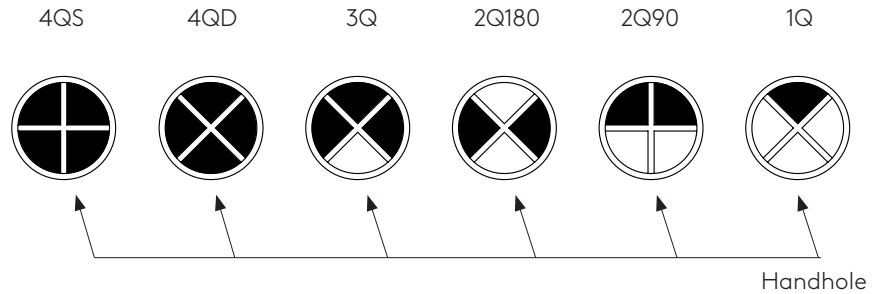
Date:



IBL



LED Light Engine Distribution Guide



Net Weight (35lbs)

Specifications

1. Fixture Housing - Die-cast low-copper and low-iron aluminum fixture body provide corrosion resistance in marine environments.

2. Gasketing - (not shown) Continuous gaskets provide weather-proofing, dust, and insect control between castings.

3. LED Light Engine - (not shown) High efficiency LED light engine equipped with brand-name LEDs, available in 3000K and 45000K CCT, tolerance within a 3-step MacAdams ellipse, and Amber CCT. Suitable for max ambient temperatures up to 45°C.

4. Optics - (not shown) Proprietary vandal and UV resistant acrylic optic provides optimal light blending between quadrants.

5. Light Chamber - Castings around Light engine are painted with special matte black light absorbing powder coat paint. Meets International Dark-Sky Association (IDA) requirements at 3000K CCT.

6. Solar Module - (not shown) High impact, UV resistant encapsulation, High-efficiency mono-crystalline cells; Integrated into bollard housing, Used for day/night detection (no photocell required).

7. Solar Lighting Controller (SLC) - First Light's high efficiency Maximum Power Point Tracking, (MPPT) charge controller, Micro-controller based technology, Includes high-efficiency LED driver, Integrated into bollard housing, Designed to automatically manage lighting, performance based on environmental conditions and lighting requirements, Patent pending package.

8. High Power Option - (not shown) 100% increase in Lumen output in same physical package.

9. Light Chamber - Castings around Light Engine are painted with special matte black light absorbing powder coat paint. Meets International Dark-Sky Association (IDA) requirements B0, U0, and G0 BUG ratings at 3000K CCT. Powers 2Q90, 2Q180, 3Q, or 4Q configurations (refer to lumen matrix on page 3).

Exterior Luminaire Finish - Selux utilizes a high quality Polyester Powder Coating. All Selux luminaires and poles are finished in our Tiger Drylac certified facility and undergo a five stage intensive pretreatment process where product is thoroughly cleaned, phosphated and sealed. Selux powder coated products provide excellent salt and humidity resistance as well as ultraviolet resistance for color retention. All products are tested in accordance with test specifications for coatings from ASTM and PCI.

Standard exterior color is silver (SV). For other colors, please consult factory.

5 Year Limited LED Luminaire Warranty - Selux offers a 5 Year Limited Warranty to the original purchaser that the Inula Bollard LED Solar luminaire shall be free from defects in material and workmanship for up to five (5) years from date of shipment. This limited warranty covers the LED driver and LED array when installed and operated according to Selux instructions. For details, see "Selux Terms and Condition of Sale."

Listings and Ratings: Tested to INRTL Wet Location and IESNA LM-79-08 standards. LED tested to LM-80 standards.

Luminaire and LED tested at 25°C (77°F) ambient temperature.

LED LIFE - LED light engine provides a reported lumen maintenance of 95% at 35,000 hours. L70 calculated greater than 240,000 hours. NRTL Listed (i.e. UL, CSA)

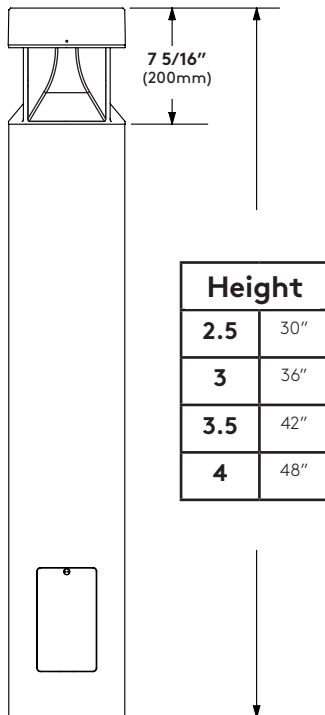
Visit selux.us for our LED End of Life recycling policy.

Lumen Matrix

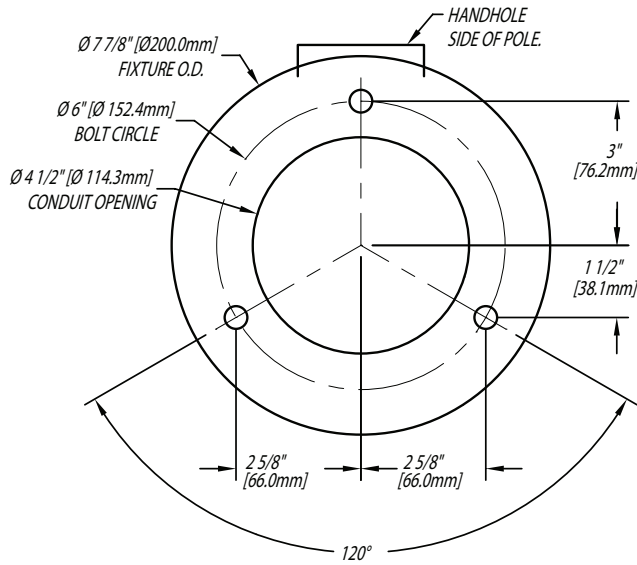
INULA LED SOLAR - PERFORMANCE CHART											
UNITED STATES		Lighting Profile	Dusk to Dawn (00)			Dusk +5hr,30%, Dawn -1 (04)			Dusk + 3hr, 30% (05)		
City	State	Region	Typ	June	Dec	Typ	June	Dec	Typ	June	Dec
New York	NY	Northeast	88	148	29	126	192	47	176	276	62
Atlanta	GA	Southeast	92	148	36	136	201	59	188	286	78
Miami	FL	Southeast	117	149	75	176	211	122	243	296	164
Virginia Beach	VA	Southeast	93	154	37	136	205	61	188	293	81
St. Paul	MN	Midwest	88	159	27	125	200	42	175	290	55
Denver	CO	Midwest	116	205	42	168	269	72	234	385	95
San Antonio	TX	Midwest	103	168	49	153	233	80	211	329	107
Salt Lake City	UT	West	123	231	37	177	300	63	246	431	83
Seattle	WA	Northwest	86	170	26	117	209	27	165	305	31
San Francisco	CA	Southwest	111	210	40	160	279	66	223	398	88
Honolulu	HI	Pacific	148	203	89	223	292	144	307	408	194
Average performance for USA			102	174	40	147	230	64	205	329	85

INTERNATIONAL		Lighting Profile	Dusk to Dawn (00)			Dusk +5hr,30%, Dawn -1 (04)			Dusk + 3hr, 30% (05)		
City	Country	Continent	Typ	June	Dec	Typ	June	Dec	Typ	June	Dec
Mexico City	Mexico	South America	136	153	101	206	221	162	283	308	219
San Jose	Costa Rica	South America	127	118	117	194	176	184	266	243	250
Panama City	Panama	South America	144	151	102	219	225	160	301	311	218
Lima	Peru	South America	133	80	174	202	126	258	277	172	357
Buenos Aires	Argentina	South America	104	37	191	153	61	259	213	81	368
Santiago	Chile	South America	137	44	252	202	74	344	279	99	481
Athens	Greece	Europe	116	232	28	166	308	42	232	442	55
Berlin	Germany	Europe	78	172	26	101	196	26	143	290	26
Paris	France	Europe	84	188	26	112	226	26	159	331	28
Dubai	UAE	Asia	145	213	80	218	302	131	300	424	175
Beirut	Lebanon	Asia	138	248	44	201	337	73	279	479	97
Doha	Qatar	Asia	137	217	67	205	306	110	283	430	148
Riyadh	Saudi Arabia	Asia	144	219	76	216	310	123	298	435	166
Cape Town	South Africa	Africa	136	52	239	200	86	324	277	115	460

Profiles

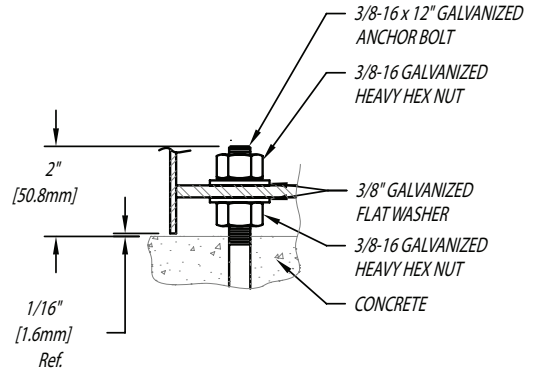


Mounting Information



NOTES:

1. BOLLARD ORIENTATION IS CRITICAL, ROD & HANDHOLE LOCATIONS ARE CRITICAL.
2. LOCATE SINGLE BOLT AT HANDHOLE LOCATION.
3. ADEQUATE DRAINAGE MUST BE PROVIDED IN CONCRETE FOUNDATION.
4. CONDUIT SHOULD BE STUBBED UP ABOVE THE CONCRETE FOOTING



BOLT CIRCLE DETAIL (Not to Scale)

USE CAUTION WHEN SETTING ANCHOR BOLTS. BOLTS MUST BE VERTICALLY STRAIGHT AND CENTERED ON DIMENSIONS SHOWN.

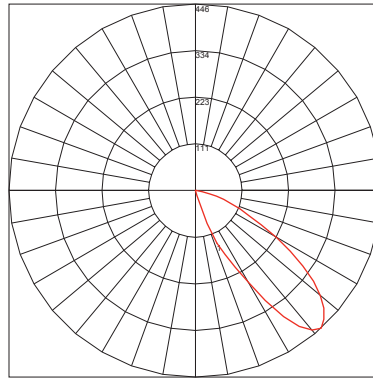
Photometry

1Q / 2.5W LED / 3000K CCT

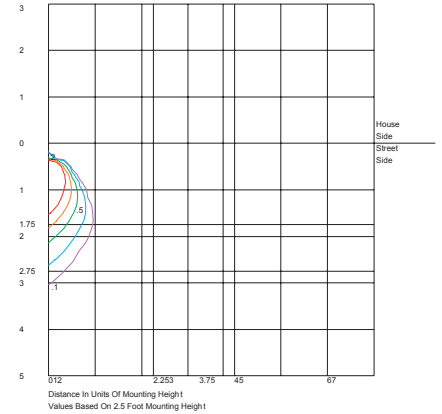
Catalog #: IBLS-X-1Q-30-XX-05
 Report #: 1197031-05
 Maximum candela of 445,951 at 42.5° from vertical.
 Mounting Height = 2.5'
 Type I
 205 Delivered Lumens
 82 Lumens per Watt
 B0-U0-G0

DOWNLOAD IES FILES:

http://www.selux.us/fileadmin/us/photometry/Exterior/Bollards_Light_Columns_& Wall_Wconces/Inula_Bollard_LED_Solar_.zip



Maximum Candela = 445,951 Located At Horizontal Angle = 315, Vertical Angle = 42.5
 # 1 - Vertical Plane Through Horizontal Angles (315 - 135) (Through Max. Cd.)



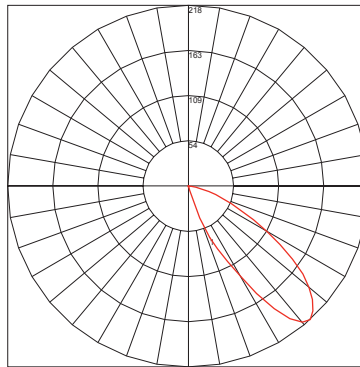
Distance In Units Of Mounting Height
 Values Based On 2.5 Foot Mounting Height

2Q90 / 2.5W LED / 3000K CCT

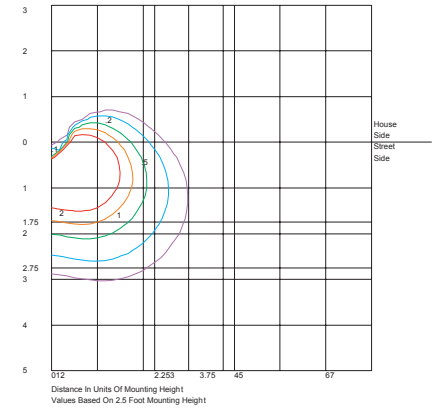
Catalog #: IBLS-X-2Q90-30-XX-05
 Report #: 1197024-05
 Maximum candela of 217,682 at 42.5° from vertical.
 Mounting Height = 2.5'
 205 Delivered Lumens
 82 Lumens per Watt
 Type II
 B0-U0-G0

DOWNLOAD IES FILES:

http://www.selux.us/fileadmin/us/photometry/Exterior/Bollards_Light_Columns_& Wall_Wconces/Inula_Bollard_LED_Solar_.zip



Maximum Candela = 217,682 Located At Horizontal Angle = 45, Vertical Angle = 42.5
 # 1 - Vertical Plane Through Horizontal Angles (45 - 225) (Through Max. Cd.)



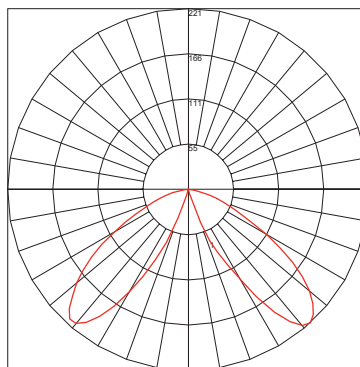
Distance In Units Of Mounting Height
 Values Based On 2.5 Foot Mounting Height

2Q180 / 2.5W LED / 3000K CCT

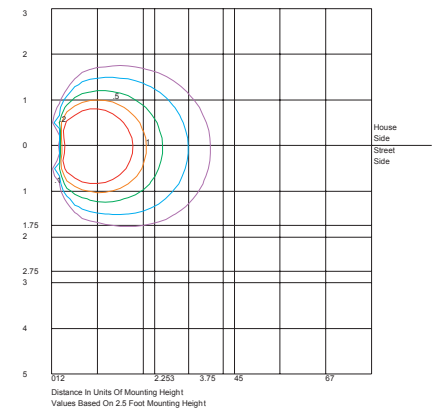
Catalog #: IBLS-X-2Q180-30-XX-05
 Report #: 1197024-05
 Maximum candela of 221,351 at 42.5° from vertical.
 Mounting Height = 2.5'
 205 Delivered Lumens
 82 Lumens per Watt
 Type I
 B0-U0-G0

DOWNLOAD IES FILES:

http://www.selux.us/fileadmin/us/photometry/Exterior/Bollards_Light_Columns_& Wall_Wconces/Inula_Bollard_LED_Solar_.zip



Maximum Candela = 221,351 Located At Horizontal Angle = 85, Vertical Angle = 42.5
 # 1 - Vertical Plane Through Horizontal Angles (85 - 265) (Through Max. Cd.)



Distance In Units Of Mounting Height
 Values Based On 2.5 Foot Mounting Height

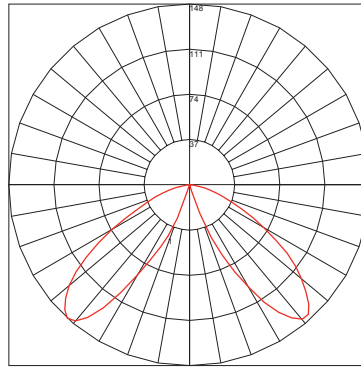
Photometry

3Q / 2.5W LED / 3000K CCT

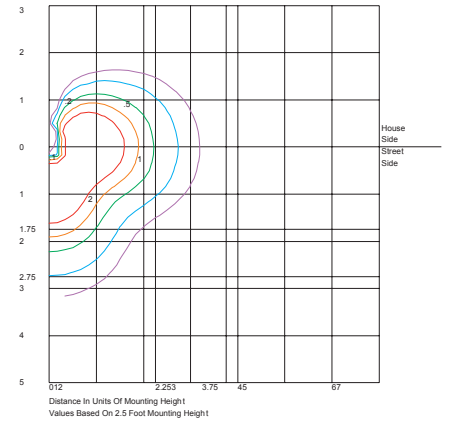
Catalog #: IBL-X-3Q-30-XX-05
 Report #: 1197021-05
 Maximum candela of 148.378 at 42.5° from vertical.
 Mounting Height = 4' (1.22 m)
 205 Delivered Lumens
 82 Lumens per Watt
 Type II
 B0-U0-G0

DOWNLOAD IES FILES:

http://www.selux.us/fileadmin/us/photometry/Exterior/Bollards_Light_Columns_& Wall_Wconces/Inula_Bollard_LED_Solar_.zip



Maximum Candela = 148.378 Located At Horizontal Angle = 270, Vertical Angle = 42.5
 # 1 - Vertical Plane Through Horizontal Angles (270 - 90) (Through Max. Cd.)

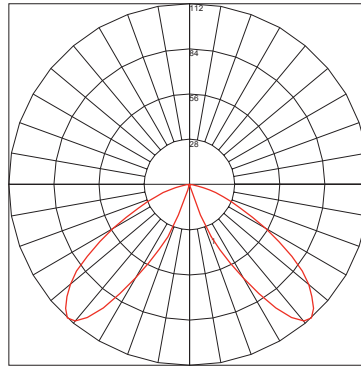


4QD / 2.5W LED / 3000K CCT

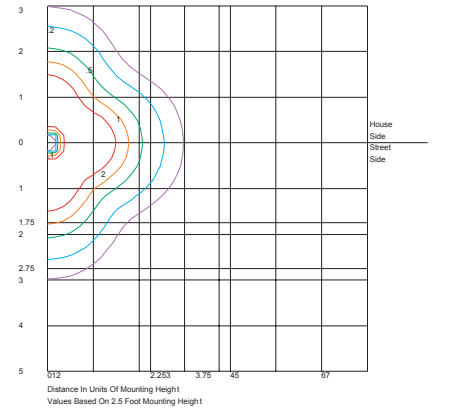
Catalog #: IBLS-X-4QD-30-XX-05
 Report #: 1197039-D50
 Maximum candela of 112.443 at 42.5° from vertical.
 Mounting Height = 4' (1.22 m)
 205 Delivered Lumens
 82 Lumens per Watt
 Type VS
 B0-U0-G0

DOWNLOAD IES FILES:

http://www.selux.us/fileadmin/us/photometry/Exterior/Bollards_Light_Columns_& Wall_Wconces/Inula_Bollard_LED_.zip



Maximum Candela = 112.443 Located At Horizontal Angle = 360, Vertical Angle = 42.5
 # 1 - Vertical Plane Through Horizontal Angles (360 - 180) (Through Max. Cd.)

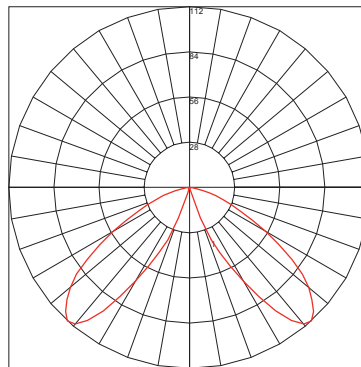


4QS / 2.5W LED / 3000K CCT

Catalog #: IBLS-X-4QS-30-XX-05
 Report #: 1197039-50
 Maximum candela of 112.443 at 42.5° from vertical.
 Mounting Height = 4' (1.22 m)
 205 Delivered Lumens
 82 Lumens per Watt
 Type VS
 B0-U0-G0

DOWNLOAD IES FILES:

http://www.selux.us/fileadmin/us/photometry/Exterior/Bollards_Light_Columns_& Wall_Wconces/Inula_Bollard_LED_.zip



Maximum Candela = 112.443 Located At Horizontal Angle = 45, Vertical Angle = 42.5
 # 1 - Vertical Plane Through Horizontal Angles (45 - 225) (Through Max. Cd.)

