

Date: _____ Customer: _____
 Project: _____
 Type: _____ Qty: _____



Inula Bollard LED



Order Code: IBL - - - - -

IBL	Series	IBL Inula Bollard LED							
	Height	1.5 1.5 ft. (consult factory)	2 2 ft. (consult factory)	2.5 2.5 ft.	3 3 ft.	3.5 3.5 ft.	4 4 ft.		
	Light Engine	1Q ¹ 7.6w/577 lm	2Q90 14.1w/1156lm	2Q180 14.1w/1156 lm	3Q 20.5w/1689 lm	4QS 27.2w/2246 lm	4QD 27.2w/2246 lm	*Based on 5000K CCT, 120-277V †Not available with EM	
	CCT	AM ^{2, 15} Amber	30 ² 3000K	40 4000K	50 5000K			‡IDA Approved For other CCT please consult factory	
	Finish	WH White	BK Black	BL Semi-Matte Black	BZ Bronze	SV Silver	SP Specify Premium Color		
	Voltage	UNV 120-277V	120 120V	208 208V	240 240V	277 240V	347 ^{3,16} 347V	480 ^{3,16} 480V	*50 or 60 Hertz ‡Requires step down transformer, 60 Hertz Only
	Options	DM Dimming (0-10V)	HL30 ^{4,7,10, 12} Hi-Lo Switching 100-30%	REC ^{5,6} GFCI Receptacle w/ weather-proof cover	REC2 ^{5,6} GFCI Receptacle w/ padlockable in-use cover	EM ^{8, 9, 12, 13} Emergency Battery Pack T0 - 20C	PC ¹¹ Photocell		¹ 120-277V Only ² 120V Only ³ Not available in 2.5" height ⁴ Not available at 208V. ⁵ Not available with IQ ⁶ 120V or 277V only ⁷ Not available with DM Option ⁸ Not available at 480V ⁹ Not available with EM option ¹⁰ Not available with PC or LP option ¹¹ Not available with HL30 or HP options ¹² For 1Q, 2Qxx and 3Q please consult factory ¹³ Not available with HL30
		LP ^{12, 14, 15} Lower Power Version Decreases Light Output By 60%	HP ¹² High Power Version Increases Light Output By 100%	REC3 USB & Duplex Receptacle w/ weather-proof cover	REC4 USB & Duplex Receptacle w/ weather-proof padlockable in-use cover				

Product Modifications

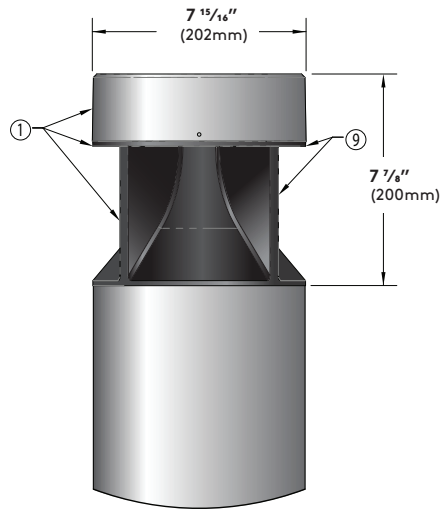
Please list modification requirements for review by factory:

Approvals

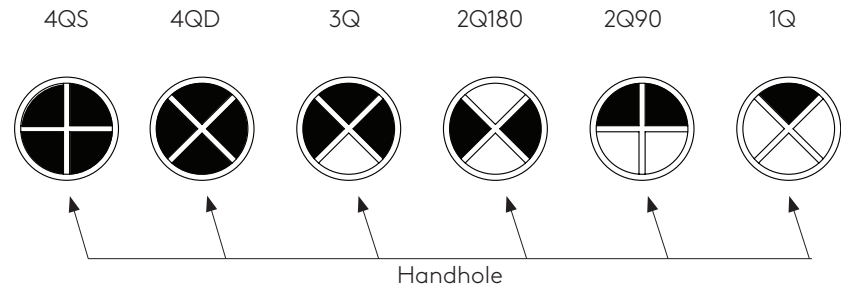
Date: _____



IBL



LED Light Engine Distribution Guide



Net Weight (35lbs)

Specifications

1. Fixture Housing - Die cast low-copper and low-iron aluminum fixture body provide corrosion resistance in marine environments.

2. Gasketing - (not shown) Continuous gaskets provide weather-proofing, dust, and insect control between castings.

3. LED Light Engine - (not shown) High efficiency LED light engine equipped with brand-name LEDs, available in 3000K, 4000K, 5000K CCT tolerance within a 3-step MacAdams ellipse, and Amber CCT. Suitable for max ambient temperatures up to 45°C.

4. Optics - (not shown) Proprietary vandal and UV resistant acrylic optic provides optimal light blending between quadrants.

5. Surge Protector - (not shown) Designed to protect luminaire from electrical surge (10kA).

6. Hi-Lo Switching Option - (not shown) Controlled switching between 100% and 30% power. See wiring diagrams for additional details.

7. Low Power Option - (not shown) 60% decrease in Lumen output in same physical package.

8. High Power Option - (not shown) 100% increase in Lumen output in same physical package.

9. Light Chamber - Castings around Light Engine are painted with special matte black light absorbing powder coat paint. Meets International Dark-Sky Association (IDA) requirements B0, U0, and G0 BUG ratings at 3000K CCT. Powers 2Q90, 2Q180, 3Q, or 4Q configurations (refer to lumen matrix on page 3).

10. Low-Temperature Emergency Battery Pack Option - (not shown) Provide 90 minutes of constant-power egress lighting when external power is lost. -20°C to +55°C ambient temperature operation.

Exterior Luminaire Finish - Selux utilizes a high quality Polyester Powder Coating. All Selux luminaires and poles are finished in our Tiger Drylac certified facility and undergo a five stage intensive pretreatment process where product is thoroughly cleaned, phosphated and sealed. Selux powder coated products provide excellent salt and humidity resistance as well as ultraviolet resistance for color retention. All products are tested in accordance with test specifications for coatings from ASTM and PCI.

Standard exterior colors are White (WH), Black (BK), Semi-Matte Black (BL), Bronze (BZ), and Silver (SV). Selux premium colors (SP) are available, please specify from your Selux color selection guide.

5 Year Limited LED Luminaire Warranty - Selux offers a 5 Year Limited Warranty to the original purchaser that the Inula Bollard LED luminaire shall be free from defects in material and workmanship for up to five (5) years from date of shipment. This limited warranty covers the LED driver and LED array when installed and operated according to Selux instructions. For details, see "Selux Terms and Condition of Sale."

Listings and Ratings: Tested to INRTL Wet Location and IESNA LM-79-08 standards. LED tested to LM-80 standards.

Luminaire tested to IK10 standard, IDA Approved and Lighting Facts Certified.

Luminaire and LED tested at 25°C (77°F) ambient temperature.

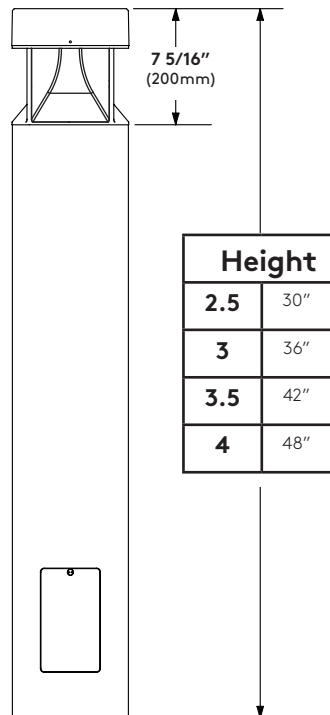
LED LIFE - LED light engine provides a reported lumen maintenance of 93% at 36,000 hours. L70 calculated greater than 100,000 hours. NRTL Listed (i.e. UL, CSA)

Visit selux.us for our LED End of Life recycling policy.

Lumen Matrix

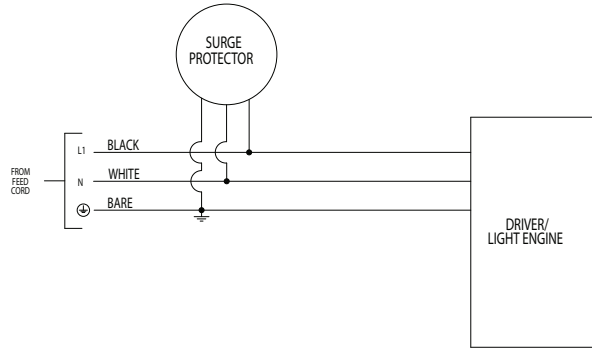
ELECTRICAL SPECIFICATIONS at 120VAC-277VAC (at 347-480VAC)																	
Light Engine		4QD/4QS				3Q				2Q180/2Q90				1Q			
LED CCT		3000K	4000K	5000K	AMBER	3000K	4000K	5000K	AMBER	3000K	4000K	5000K	AMBER	3000K	4000K	5000K	AMBER
Standard Power	Delivered Lumens (lm)	2101		2246	464	1580		1689	349	1083		1156	239	540		577	119
	Wattage (W)	27.2 (29.6)			20.7 [22.6]	20.5 (22.3)			15.6 [17.0]	14.1 [15.4]			10.6 [11.6]	7.6 (8.3)		5.6 [6.2]	
	Efficacy (lm/W)	77.2 (71.0)		82.6 (75.9)	22.4 [75.9]	77.1 [70.9]		82.4 (75.7)	22.4 [20.5]	76.8 (70.3)		82.0 (75.1)	22.5 [20.6]	71.1 (65.1)		75.9 (69.5)	21.3 [19.2]
High Power (HP) Option	Delivered Lumens (lm)	4202		4492	N/A	3160		3378	N/A	2166		2312	N/A	1080		1155	N/A
	Wattage (W)	54.4 [59.2]				41.0 [44.6]				28.2 [30]				15.2 [16.6]			
	Efficacy (lm/W)	77.2 (67.8)		82.6 (75.9)		77.1 (70.9)		82.4 (75.7)		76.8(70.3)		82.0 (75.1)		71.1 (65.1)		75.9 (69.5)	
EM Option	Delivered Lumens (lm)	2501		2674	N/A	1881		2011	N/A	1289		1376	N/A				

Profiles IBL-XX-4QD

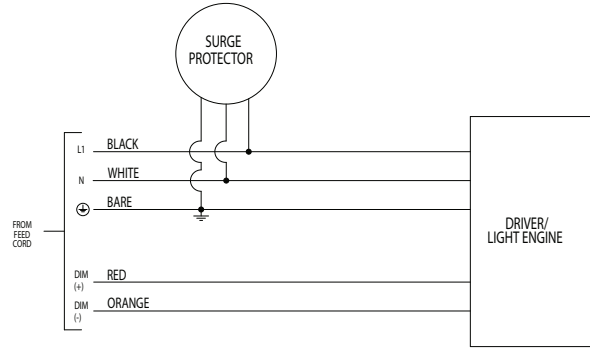


Wiring

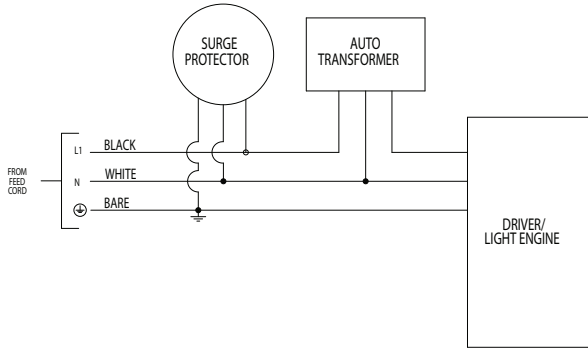
Standard Wiring for 120-277V
Standard wiring for 120-277V with no additional options.



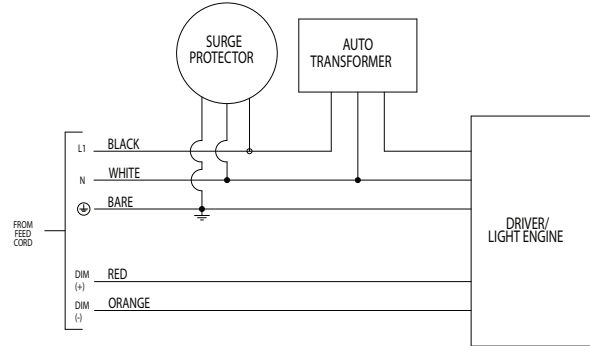
0-10V Dimming Option (DM) Wiring for 120-277V
100% light output at 10V, down to 1% light output at 0V.



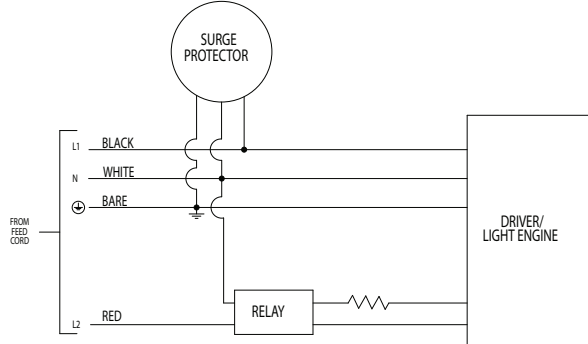
Standard Wiring for 347/480V
Standard wiring for 347/480V with no additional options.



0-10V Dimming Option (DM) Wiring for 347/480V
100% light output at 10V, down to 1% light output at 0V.

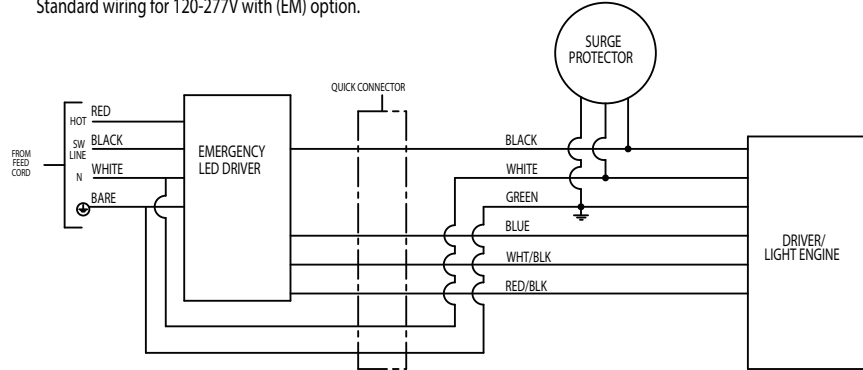


Hi-Lo Switching Option (HL30) Wiring
120/240/277V. When red is energized, light output will be at "Lo" level.

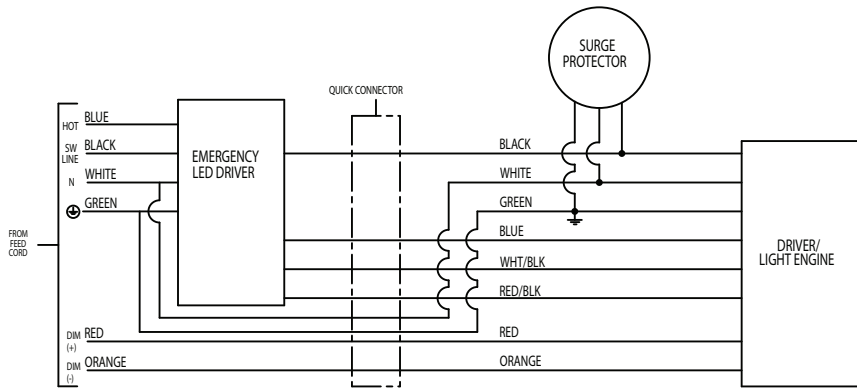


Wiring

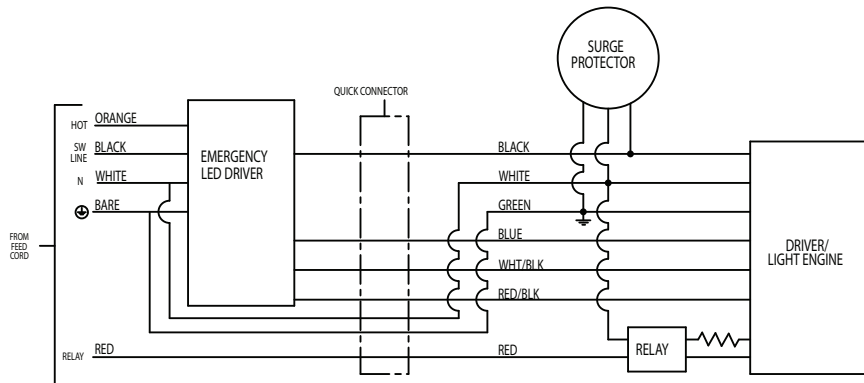
Standard Wiring for 120-277V With (EM) Option
Standard wiring for 120-277V with (EM) option.



0-10V Dimming Option (DM) Wiring for 120-277V With (EM) Option
100% light output at 10V, down to 1% light output at 0V.

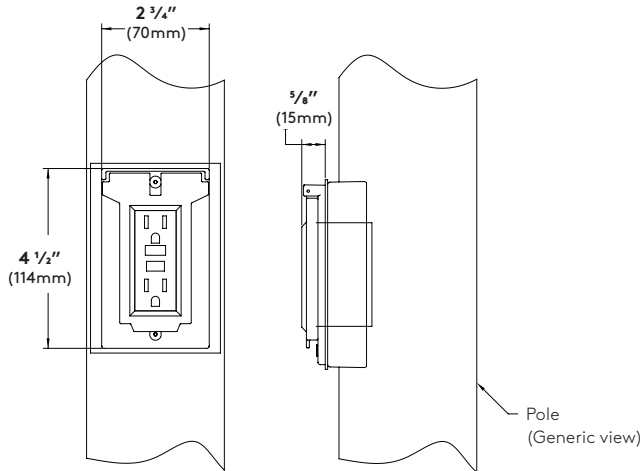


Hi-Lo Switching Option (HL30) Wiring With (EM) Option
120/240/277V. When red is energized, light output will be at "Lo" level.

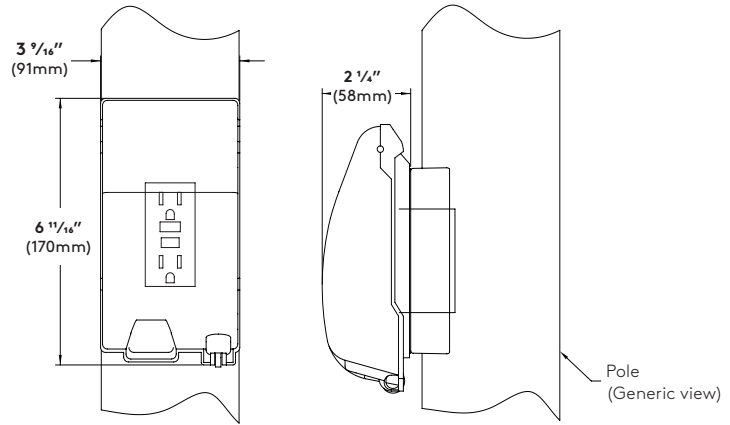


Optional Accessories

GFCI Receptacle (REC) - 120V 15A GFCI duplex receptacle with weather-proof, self-closing, non-lockable cover; located 36" (915mm) from base of pole, inline with handhole. Receptacle is intended only for portable tools or other portable equipment to be connected to outlet only when attended by operating personnel. For use with 120V applications only. For use with luminaires with other than 120V rating, please consult factory for wire segregation.



GFCI Receptacle (REC2) - 120V 15A GFCI duplex receptacle with weather-proof, self-closing, padlockable in-use cover; located 36" (915mm) from base of pole, inline with handhole. Receptacle is intended only for portable tools or other portable equipment to be connected to outlet only when attended by operating personnel. For use with 120V applications only. For use with luminaires with other than 120V rating, please consult factory for wire segregation.



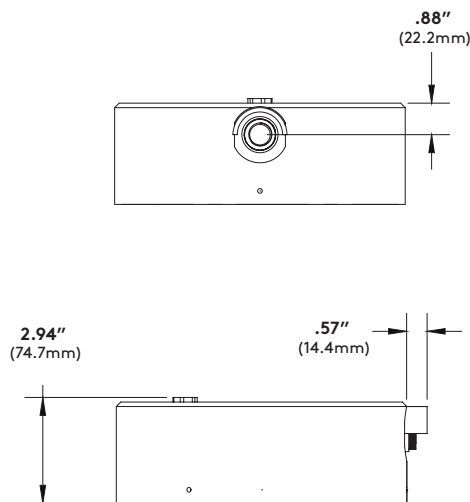
USB & Duplex Receptacle (REC3) (not shown) - 120V 15A duplex receptacle with USB combination ports. (1) type A and (1) type C high power 5 Amp, 5 Volt USB outlets. With weather-proof, self-closing cover; located 36" (915mm) from base of pole, inline with handhole. Receptacle is intended only for portable tools or other portable equipment to be connected to outlet only when attended by operating personnel.

Note: Must be used in conjunction with GFCI breaker by others

USB & Duplex Receptacle (REC4) (not shown) - 120V 15A duplex receptacle with USB combination ports. (1) type A and (1) type C high power 5 Amp, 5 Volt USB outlets. With weather-proof, self-closing padlockable in-use cover; located 36" (915mm) from base of pole, inline with handhole. Receptacle is intended only for portable tools or other portable equipment to be connected to outlet only when attended by operating personnel.

Note: Must be used in conjunction with GFCI breaker by others

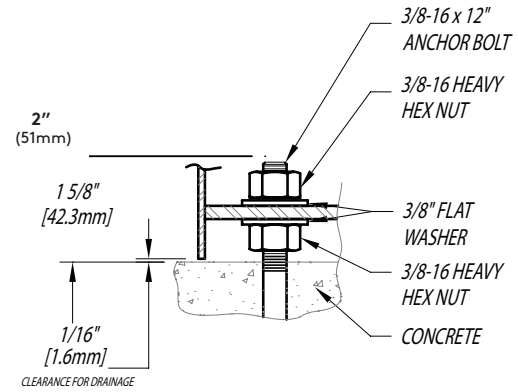
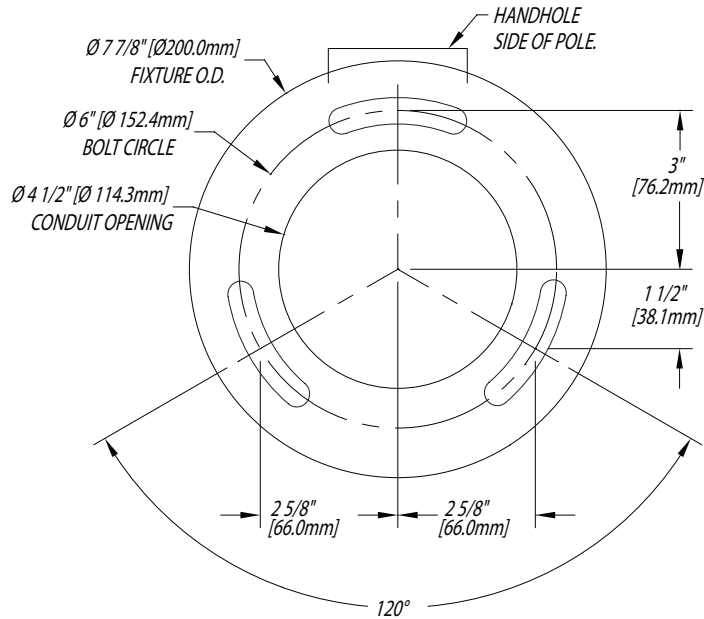
Photo Cell (PC) - Integrated in top cap for 360° of orientation adjustment in the field.



Mounting Information

NOTES:

1. BOLLARD ORIENTATION IS CRITICAL, ROD AND HAND HOLE LOCATIONS ARE CRITICAL.
2. LOCATE SINGLE BOLT AT HAND HOLE LOCATION.
3. ADEQUATE DRAINAGE MUST BE PROVIDED IN CONCRETE FOUNDATION.
4. CONDUIT SHOULD BE STUBBED UP ABOVE THE CONCRETE FOOTING.

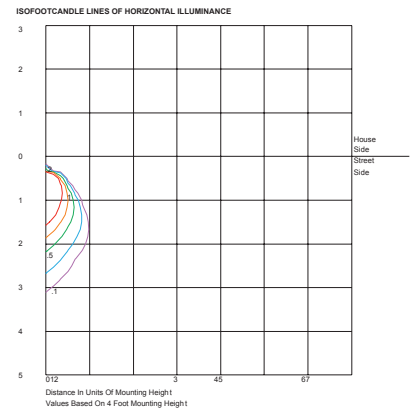
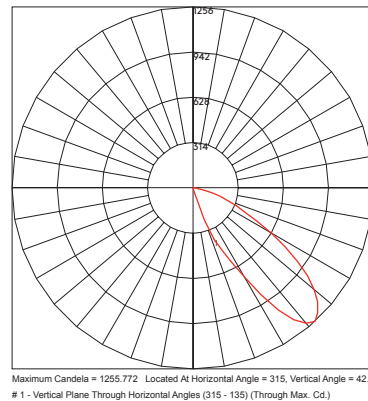


BOLT CIRCLE DETAIL (NOT TO SCALE)
 USE CAUTION WHEN SETTING ANCHOR BOLTS. BOLTS MUST BE VERTICALLY STRAIGHT AND CENTERED ON DIMENSIONS SHOWN.

Photometry

1Q / 8W LED / 5000K CCT

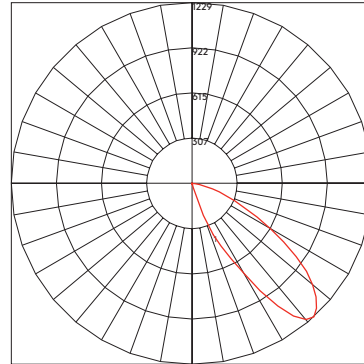
Catalog #: IBL-X-1Q-50-XX-120-DS
 Report #: 1197031-50
 Maximum candela of 1256 at 42.5° from vertical.
 Mounting Height = 4' (1.22 m)
 577 Delivered Lumens
 75 Lumens per Watt
 B0-U0-G0



Photometry

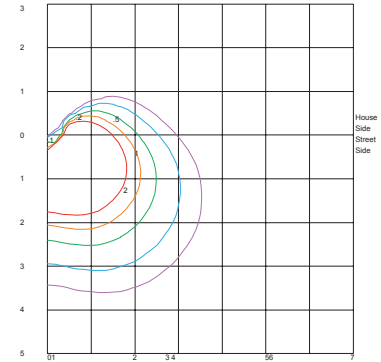
2Q90 / 14W LED / 5000K CCT

Catalog #: IBL-X-2Q90-50-XX-120-DS
 Report #: 1197029-50
 Maximum candela of 1229 at 42.5° from vertical.
 Mounting Height = 4' (1.22 m)
 1158 Delivered Lumens
 82 Lumens per Watt
 B0-U0-G0



Maximum Candela = 1229.367 Located At Horizontal Angle = 45, Vertical Angle = 42.5
 # 1 - Vertical Plane Through Horizontal Angles (45 - 225) (Through Max. Cd.)

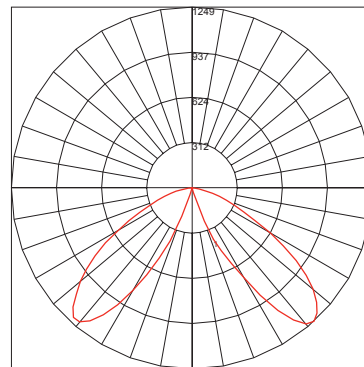
ISOFOOTCANDLE LINES OF HORIZONTAL ILLUMINANCE



Distance In Units Of Mounting Height
 Values Based On 4 Foot Mounting Height

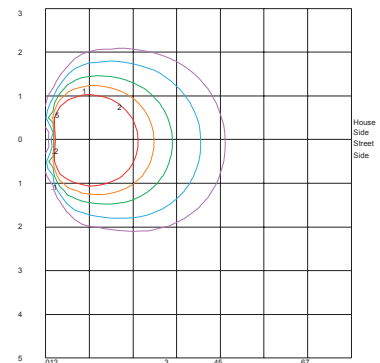
2Q180 / 14W LED / 5000K CCT

Catalog #: IBL-X-2Q180-50-XX-120-DS
 Report #: 1197024-50
 Maximum candela of 1249 at 42.5° from vertical.
 Mounting Height = 4' (1.22 m)
 1156 Delivered Lumens
 81 Lumens per Watt
 B1-U0-G0



Maximum Candela = 1248.93 Located At Horizontal Angle = 85, Vertical Angle = 42.5
 # 1 - Vertical Plane Through Horizontal Angles (85 - 265) (Through Max. Cd.)

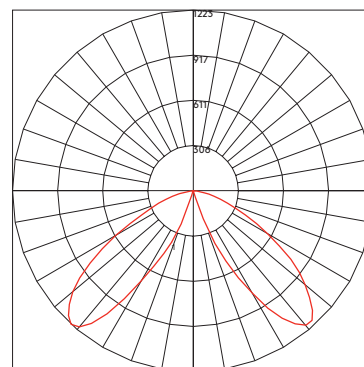
ISOFOOTCANDLE LINES OF HORIZONTAL ILLUMINANCE



Distance In Units Of Mounting Height
 Values Based On 4 Foot Mounting Height

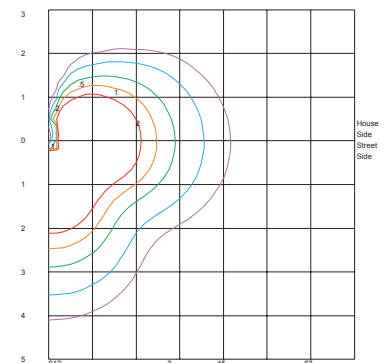
3Q / 20W LED / 5000K CCT

Catalog #: IBL-X-3Q-50-XX-120-DS
 Report #: 1197021-50
 Maximum candela of 1223 at 42.5° from vertical.
 Mounting Height = 4' (1.22 m)
 1689 Delivered Lumens
 82 Lumens per Watt
 B1-U0-G0



Maximum Candela = 1222.526 Located At Horizontal Angle = 270, Vertical Angle = 42.5
 # 1 - Vertical Plane Through Horizontal Angles (270 - 90) (Through Max. Cd.)

ISOFOOTCANDLE LINES OF HORIZONTAL ILLUMINANCE

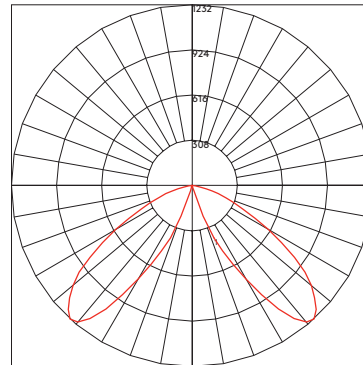


Distance In Units Of Mounting Height
 Values Based On 4 Foot Mounting Height

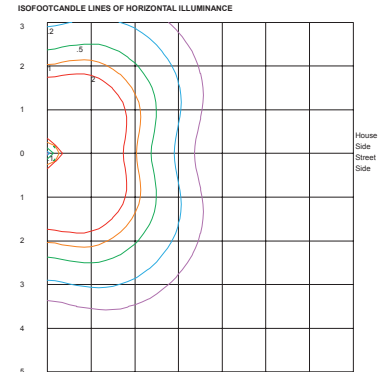
Photometry

4QS / 27W LED / 5000K CCT

Catalog #: IBL-X-4QS-50-XX-120-DS
 Report #: 1197039-50
 Maximum candela of 1232 at 42.5° from vertical.
 Mounting Height = 4' (1.22 m)
 2246 Delivered Lumens
 83 Lumens per Watt
 B1-U0-G0



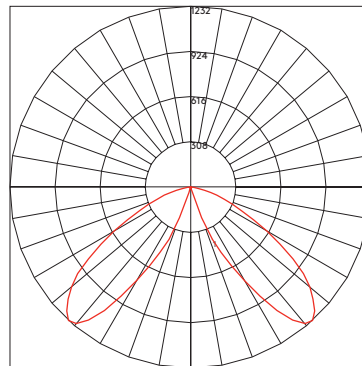
Maximum Candela = 1231.933 Located At Horizontal Angle = 45, Vertical Angle = 42.5
 # 1 - Vertical Plane Through Horizontal Angles (45 - 225) (Through Max. Cd.)



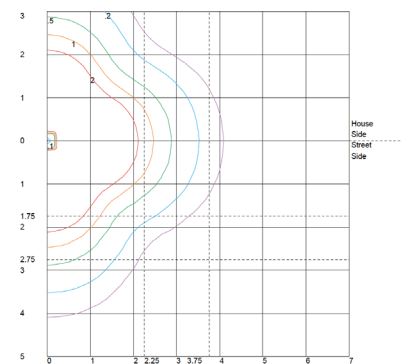
Distance in Units Of Mounting Height
 Values Based On 4 Foot Mounting Height

4QD / 27W LED / 5000K CCT

Catalog #: IBL-X-4QD-50-XX-120-DS
 Report #: 1197039-50
 Maximum candela of 1232 at 42.5° from vertical.
 Mounting Height = 4' (1.22 m)
 2246 Delivered Lumens
 83 Lumens per Watt
 B1-U0-G0



Maximum Candela = 1231.933 Located At Horizontal Angle = 45, Vertical Angle = 42.5
 # 1 - Vertical Plane Through Horizontal Angles (45 - 225) (Through Max. Cd.)



Distance in Units Of Mounting Height
 Values Based On 4 Foot Mounting Height