

Date: _____ Customer: _____
 Project: _____
 Type: _____ Qty: _____



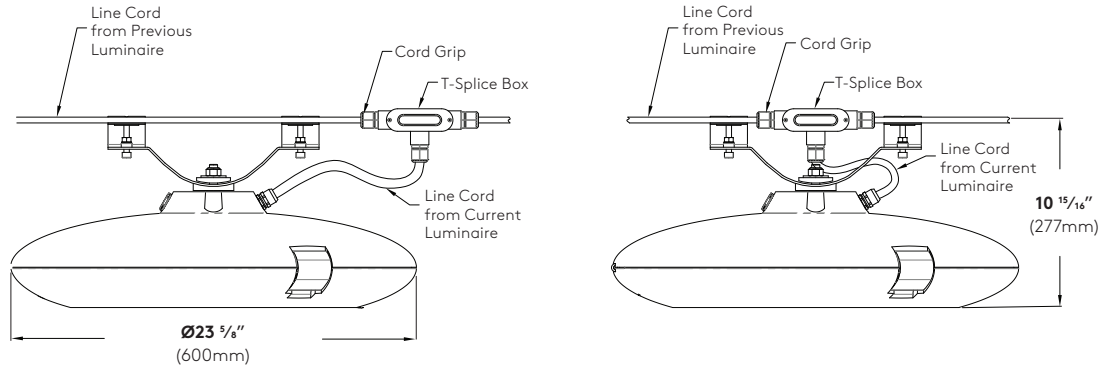
Discera 6 Gen5 Catenary



Order Code: DSC6LC - _____ - _____ - _____ - _____ - _____ - _____

<u>DSC6LC</u>	Series	DSC6LC Discera 6 Gen5 Catenary					
	Optics	R1 Type I	R2 Type II	R3 Type III	R3W (Wide) Type III	R4 Type IV	R5R (Round) Type V
	Light Engine	5G350 nominal 63W/6,303lm	5G530 nominal 90W/8,824lm	5G700 nominal 125W/11,337lm	5G900 nominal 161W/13,403lm	*Based on R1 optics and 3000K CCT	
	CCT	27 ¹ 2700K	30 ¹ 3000K	40 4000K	* 2700K and 3000K IDA Approved * For Amber and other CCTs, please consult factory		
	Feed Cord Detail	TS ² T-Splice Box (with 3' cord)	FCxx Feed Cord without Splice Box (specify in 1' increments 6'-30')			* See page 3 for details	
	Finish	WH White	BL Semi-Matte Black	BK Black	BZ Bronze	SV Silver	SP Specify Premium Color
	Voltage	UNV ³ 120-277V	120 120V	240 240V	277 277V	* Not available with HLxx option	
	Options	DM ⁶ Dimming (0-10V)	HS ⁷ House Side Shield (180°)	HL30 ^{5,6} Hi-Lo Switching Low Output 30%	HL50 ^{5,6} Hi-Lo Switching Low Output 50%	* 120V, 240V, 277V only * HL or DM only. Cannot be combined * Type I, II, III, and IV only	

DSC6LC



Example A
(offset position)

Weight = 33 lbs. (15kg)

EPA = .52ft² (0.05m²)

For layouts refer to Catenary Design Guide on our website selux.us

Example B
(centered position)

Specifications

Fixture Housing - Made from high pressure die cast, low copper aluminum alloy.

Gasketing - Continuous silicone gasket provides weatherproofing, dust and insect control at all luminaire connections.

Hanger - Hanger bracket made from stainless steel with stainless steel hardware. Hanger bracket provides 360° rotation and 15° tilt either direction.

LED Array - High flux LEDs mounted to PC boards and attached to aluminum heat sink for maximum LED performance and life. CCT tolerance 3-step binning for 2700K, 3000K, and 4000K. CRI minimum 80. Complete light engine can be removed easily for future upgrade.

LED Optics - Technical Optics (R1, R2, R3, R3W, R4, and R5R) use Selux signature light pattern acrylic lens holder to secure proprietary silicone optics. Internal micro house side shield available for distributions types I, II, III & IV.

LED Driver - LEDs are driven by RoHS compliant constant current programmable LED driver. Driver includes 0-10V dimming to 10%, meets the requirements of IP65. Driver assembly located inside the head.

Glass Lens - Tempered glass lens protects and seals optical chamber to IP65.

Toolless Latch - Toolless stainless steel latch for easy access to light engine.

Access Door - Lower casting features a stainless steel hinge that attaches to upper casting on mounting arm side. Other side is secured with toolless latch for ease of maintenance.

Surge Protection - Designed to protect luminaire from electrical surge (20kA).

T-Splice Box (TS) - Made from high pressure die cast, powder coated Silver. Three cordgrips included, allowable feed cord diameter is .17"- .45". One plug included for when only two cords are required. Luminaire will come with 3' of UV resistant black SJ feed cord pre-installed in factory. Additional feed cord supplied by others to connect to T-Splice Box. Use two metal zip ties, supplied by others, to secure T-Splice Box to cable.

Feed Cord (FCxx) - UV resistant black SJ power cord pre-installed in luminaire in factory. Please specify feed cord length, available in 1' increments from 6'-30'.

Exterior Luminaire Finish - Selux utilizes a high quality Polyester Powder Coating. All Selux luminaires and poles are finished in our Tiger Drylac certified facility and undergo a five stage intensive pretreatment process where product is thoroughly cleaned, phosphated and sealed. Selux powder coated products provide excellent salt and humidity resistance as well as ultra violet resistance for color retention. All products are tested in accordance with test specifications for coatings from ASTM and PCI.

Standard exterior colors are White (WH), Black (BK), Semi-Matte Black (BL), Bronze (BZ), and Silver (SV). Selux premium colors (SP) are available, please specify from your Selux color selection guide.

5 Year Limited LED Luminaire Warranty - Selux offers a 5 Year Limited Warranty to the original purchaser that the Selux LED luminaire shall be free from defects in material and workmanship for up to five (5) years from date of shipment. This limited warranty covers the fixture, LED driver, and LED light engine when installed and operated according to Selux instructions. Fixture suitable for ambient temperatures between -40°C (-40°F) and 40°C (104°F). For details and exclusions, see "Selux Terms and Condition of Sale."

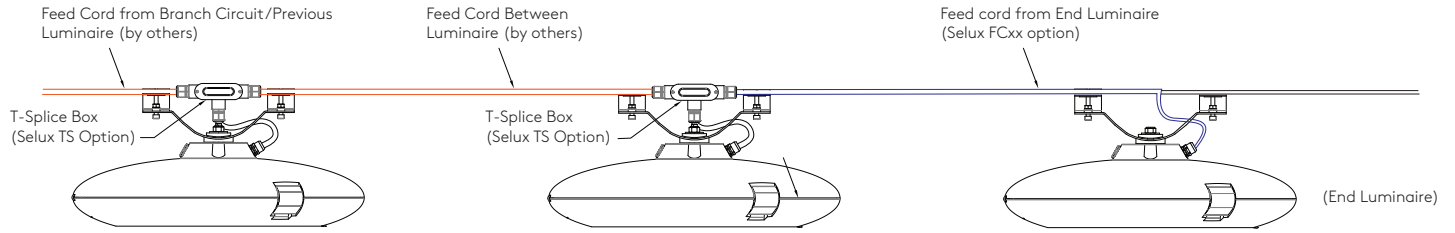
Listings and Ratings: Luminaire and LEDs tested to IP65, IK09, and IESNA LM-79-08 standards. LEDs tested to LM-80 standards. LEDs tested at 25°C ambient temperature.

Visit selux.us for our LED End of Life recycling policy.

For Buy American compliance on poles, please consult the factory.

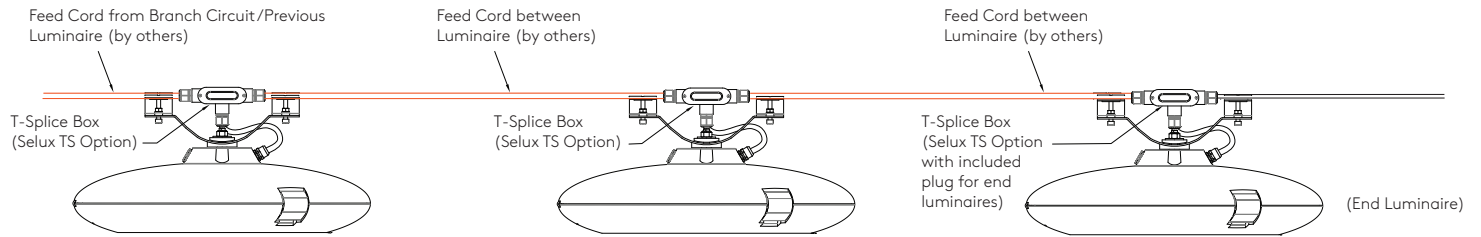
Feed Cord Detail - Scenario 1

(TS) T-Splice box for mid-run luminaires and (FCxx) Feed Cord without splice box option for end luminaire.



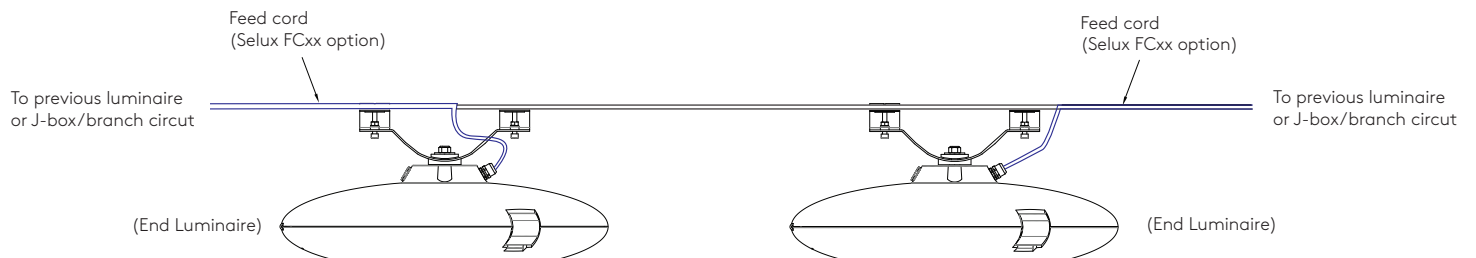
Feed Cord Detail - Scenario 2

(TS) T-Splice box for all luminaires.



Feed Cord Detail - Scenario 3

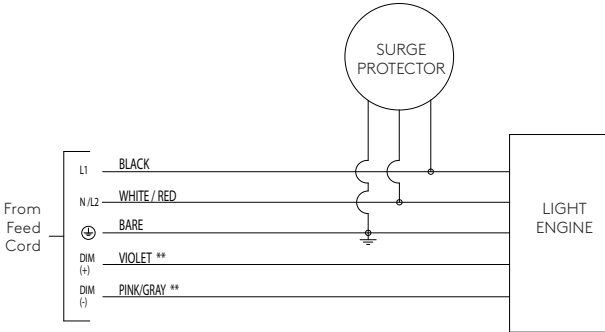
(FCxx) Feed Cord without splice box option for all luminaires. (when using separate feeds)



Wiring Diagrams

Standard Wiring (120V-277V)

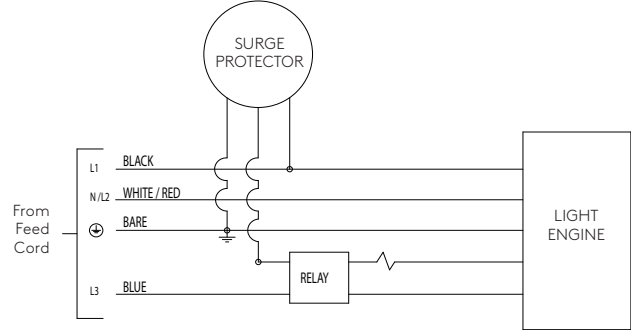
**When dimming is not required, cap dimming wires



Hi-Lo Switching Option (HL) Wiring HL30 and HL50 Only

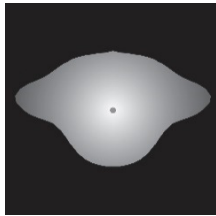
120V, 240V, 277V. When blue is energized, light output will be at "Lo" level. Specify low-level by using one of the 2 levels listed below (i.e. HL30 or HL50). For other combinations, consult factory.

H30=low output 30%
HL50= low output 50%

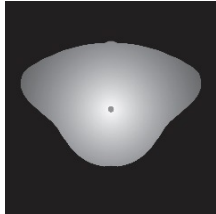


Wire Designation Table		
Source Voltage (VAC)	Wire Color	Wire Designation
120V or 277V	Black	L1
	White	Neutral
208V or 240V	Black	L1
	Red	L2
UNV (120V-277V)	Black	L1
	White	Neutral (120V/277V or 208V/240V)

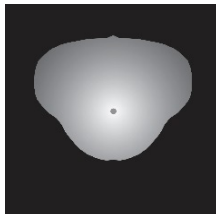
Photometry



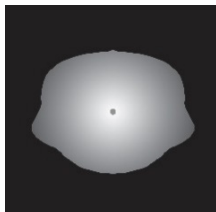
R1 - Gen5 Distribution Type I/II				
Light Engine	Lumens per	CCT	Input Watts	lm/W
5G350	6,303	3000K	63	100
5G530	8,824	3000K	90	98
5G700	11,337	3000K	125	91
5G900	13,403	3000K	161	83



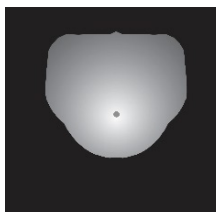
R2 - Gen5 Distribution Type II				
Light Engine	Lumens per	CCT	Input Watts	lm/W
5G350	6,372	3000K	63	101
5G530	8,921	3000K	90	99
5G700	11,461	3000K	125	92
5G900	13,550	3000K	161	84



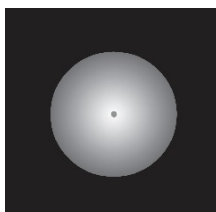
R3 - Gen5 Distribution Type III				
Light Engine	Lumens per	CCT	Input Watts	lm/W
5G350	6,374	3000K	63	101
5G530	8,923	3000K	90	99
5G700	11,465	3000K	125	92
5G900	13,554	3000K	161	84



R3W - Gen5 Distribution Type III (Wide)				
Light Engine	Lumens per	CCT	Input Watts	lm/W
5G350	6,348	3000K	63	101
5G530	8,887	3000K	90	99
5G700	11,418	3000K	125	91
5G900	13,499	3000K	161	84



R4 - Gen5 Distribution Type III/IV				
Light Engine	Lumens per	CCT	Input Watts	lm/W
5G350	6,336	3000K	63	101
5G530	8,870	3000K	90	99
5G700	11,396	3000K	125	91
5G900	13,473	3000K	161	84



R5R - Gen5 Distribution Type V (Round)				
Light Engine	Lumens per	CCT	Input Watts	lm/W
5G350	6,516	3000K	63	103
5G530	9,122	3000K	90	101
5G700	11,720	3000K	125	94
5G900	13,856	3000K	161	86

Photometry

CCT Multiplier	
2700K	0.962
3000K	1.000
4000K	1.063

TM-21 Lifetime Calculation					
Light Engine	Ambient Temp (°C)	Lumen Maintenance (% at hours)			Reported L ₈₀
		25K ¹	50K ¹	60K ¹	
5G350	25°C	99.8%	99.8%	99.8%	L ₈₀ (12K) > 70,000 hours
	40°C	99.8%	99.8%	99.8%	L ₈₀ (12K) > 70,000 hours
5G530	25°C	99.8%	99.8%	99.8%	L ₈₀ (12K) > 70,000 hours
	40°C	99.1%	98.5%	98.0%	L ₈₀ (12K) > 73,000 hours
5G700	25°C	99.1%	98.5%	98.0%	L ₈₀ (12K) > 73,000 hours
	40°C	97.5%	96.9%	96.3%	L ₈₀ (12K) > 73,000 hours
5G900	25°C	97.4%	96.5%	95.9%	L ₈₀ (12K) > 73,000 hours
	40°C	92.2%	86.6%	82.4%	L ₈₀ (12K) > 73,000 hours

¹ Calculated in accordance with IESNA TM-21-11, projected values are within six times (6x) the IESNA LM-80-08 test duration

² Thermal measurements based on Order Code: DSC6L-R4-xx-5Gxxx-30-xx-SV-xx-UNV