

# Discera 6

# selux



**Project:** \_\_\_\_\_

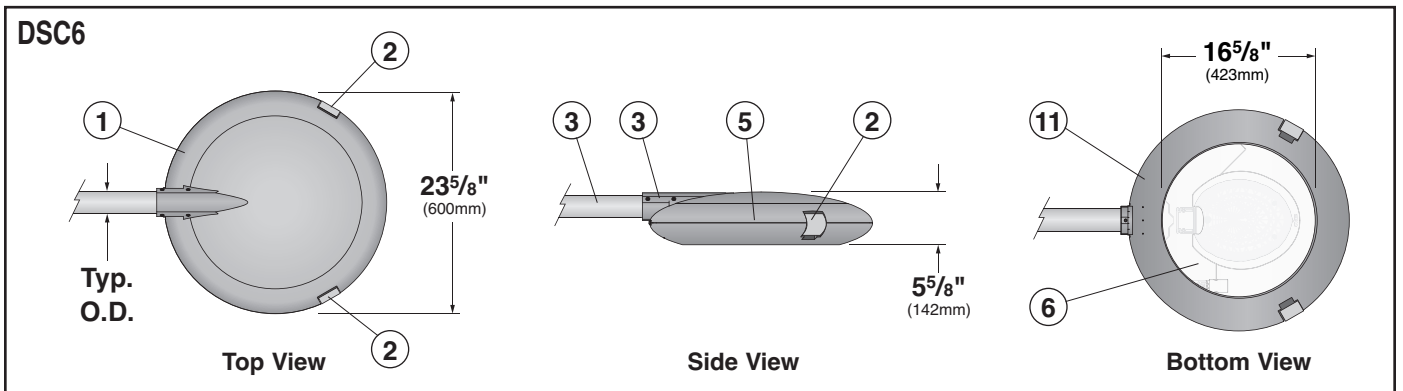
**Type:** \_\_\_\_\_ **Qty:** \_\_\_\_\_

**DSC6** - **R3** - \_\_\_\_\_ - \_\_\_\_\_ - \_\_\_\_\_ - \_\_\_\_\_ - \_\_\_\_\_ - \_\_\_\_\_ - \_\_\_\_\_  
 Series Optics Mounting Lamping Lamp Color Power Cord Length Finish Voltage Options

\_\_\_\_\_ - \_\_\_\_\_ - \_\_\_\_\_ - \_\_\_\_\_  
 Pole Series Height Finish Options

Series	Optics	Mounting	Lamping	Lamp Color	Power Cord Length	Finish	Voltage	Options
DSC6 Discera 6	R3 Type III Distribution	S1 Single Short Arm S2 Double Short Arm @180° L1 Single Long Arm L2 Double Long Arm @180° LW Long Arm Wall Mount	<b>Metal Halide</b>		12 15 18 20 25 XX <sup>1</sup>	WH White BK Black BZ Bronze SV Silver SP Specify Premium Color	120 208 277 347	PC Photocell
			H070T6 70W T6 H100T6 <sup>3</sup> 100W T6 H150T6 150W T6	Metal Halide 830 940 <sup>2</sup> 942				
			H070 70W ED17 H100 100W ED17 H150 150W ED17	High Pressure Sodium 622				
			<b>NOL</b> No Lamp Included					

<sup>1</sup> Add length of arm and pole height to determine power cord length <sup>2</sup> Medium base MH lamps only <sup>3</sup> 120/208/277 only



**1. Luminaire Housing** - Made from high pressure die-cast, low copper aluminum alloy.

**2. Tool-less latch** - Two tool-less steel latches for easy access to lamp chamber and maintenance.

**3. Mounting Arm** - Welded steel with powder coat finish.

**4. Fitter** - Cast fitter for direct connection to standard short and long arms.

**5. Gasketing** - Silicone gasket provides seal at door and glass opening.

**6. Glass Lens** - Tempered, screened glass lens protects and helps seal optical chamber.

**7. Reflector** - (not shown) Precision formed aluminum reflector with Type III distribution. Fixture is IDA-Approved™ dark sky friendly.

**8. Lamp** - (not shown) 70 to 150 watt T6 Metal Halide, 70 to 150 watt ED17 Metal Halide or 70 to 150 watt ED17 High Pressure Sodium.

**9. Socket** - (not shown) G12 base for T6 lamp or medium base socket for ED17 MH/HPS.

**10. Ballast** - (not shown) Electronic or magnetic ballast for Metal halide lamp, mounted to removable tray for ease of maintenance. All electrical connections are prewired. For details, consult factory.

**11. Access Door** - Lower casting features tempered glass lens and a stainless steel hinge that attaches to upper casting on mounting arm side. Other side is secured with tool-less latches.

**Exterior Luminaire Finish** - Selux utilizes a high quality Polyester Powder Coating. All Selux luminaires and poles are finished in our Tiger Drylac certified facility and undergo a five stage intensive pretreatment process where product is thoroughly cleaned, phosphated and sealed. Selux powder coated products provide excellent salt and humidity resistance as well as ultra violet resistance for color retention. All products are tested in accordance with test specifications for coatings from ASTM and PCI.

Standard exterior colors are White (WH), Black (BK), Bronze (BZ), and Silver (SV). Selux premium colors (SP) are available, please specify from your Selux color selection guide.

Selux Corp. © 2018  
 TEL (845) 834-1400  
 FAX (845) 834-1401  
 www.selux.us  
 DSC6-0518-01 (ss-v1.47)

**NRTL Listed (i.e. UL, CSA)**

Union Made Affiliated  
 with **IBEW Local 363**



**IP66**

**IK09**

In a continuing effort to offer the best product possible, we reserve the right to change, without notice, specifications or materials that in our opinion will not alter the function of the product. Specification sheets found at www.selux.us are the most recent versions and supercede all other printed or electronic versions.

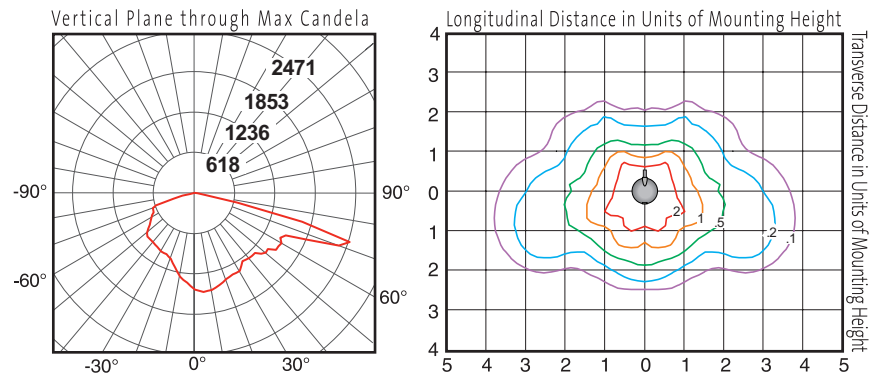
## Photometry

### R3 Reflector / 70W MH

**Catalog # DSC6-1-H70T6-R3**  
**Report # SX-322AB5-1**

- Precision formed aluminum reflector to precisely control distribution.
- Ideal for applications demanding max. spacing.
- Maximum candela of 2471 at 72.5° from vertical.
- IES classification - Type III Full Cutoff.
- Mounting Height = 16' (4.9 m)
- IDA-Approved™ dark sky friendly.

DOWNLOAD IES FILE:  
[http://www.selux.us/fileadmin/us/exterior/ies\\_file/DSC6\\_IES.zip](http://www.selux.us/fileadmin/us/exterior/ies_file/DSC6_IES.zip)

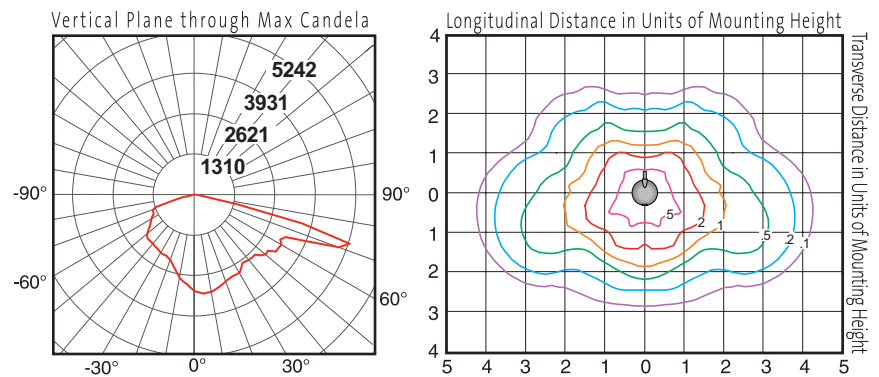


### R3 Reflector / 150W MH

**Catalog # DSC6-1-H150-R3**  
**Report # SX-322AB5-2**

- Precision formed aluminum reflector to precisely control distribution.
- Ideal for applications demanding max. spacing.
- Maximum candela of 5242 at 72.5° from vertical.
- IES classification - Type III Full Cutoff.
- Mounting Height = 16' (4.9 m)
- IDA-Approved™ dark sky friendly.

DOWNLOAD IES FILE:  
[http://www.selux.us/fileadmin/us/exterior/ies\\_file/DSC6\\_IES.zip](http://www.selux.us/fileadmin/us/exterior/ies_file/DSC6_IES.zip)



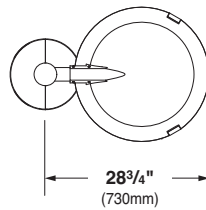
Conversion Chart	
Values based on 16' (4.9 m) mounting height.	
Mounting Height	Multiply
10' (3.0 m)	1.27
12' (3.7 m)	1.16
14' (4.3 m)	1.07
16' (4.9 m)	1.00
18' (5.5 m)	0.84

# Discera 6

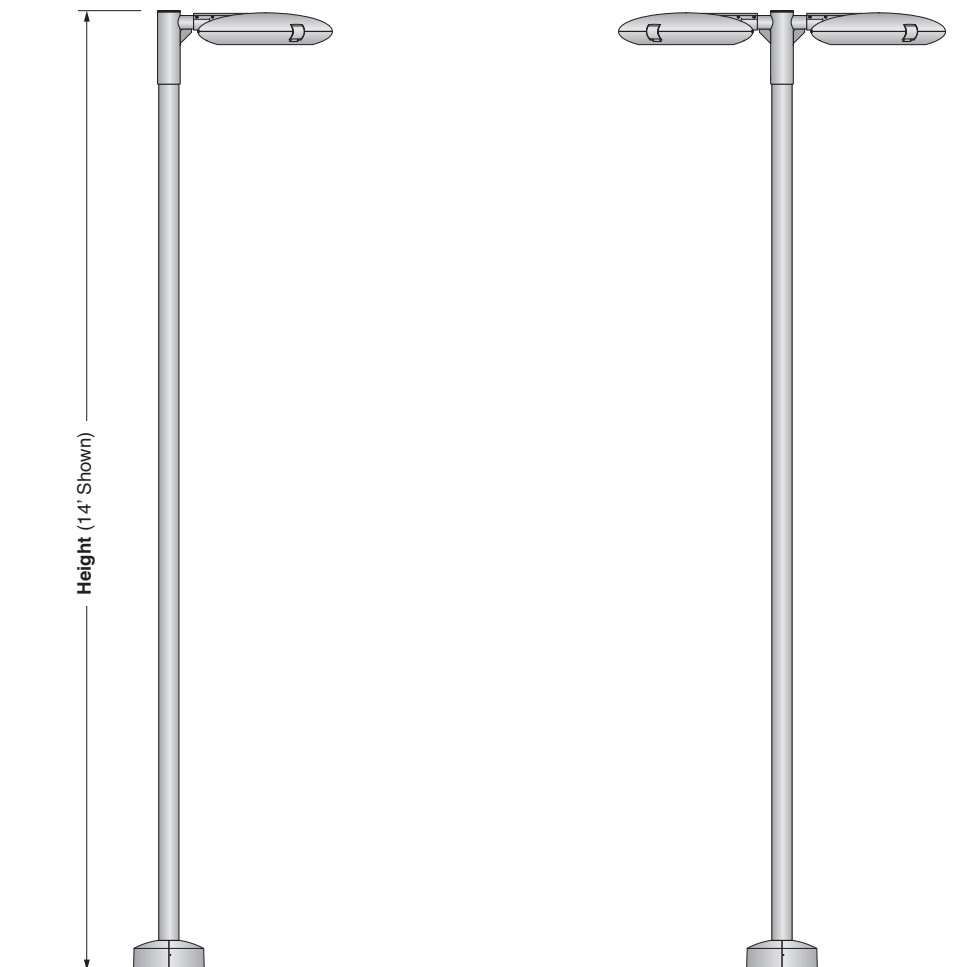
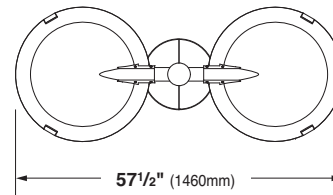
**selux**

## Short Arm Mounting

**S1 Single Short Arm**  
EPA= .75 ft<sup>2</sup> (.23m<sup>2</sup>)  
Weight= 26lbs. (12kg)



**S2 Double Short Arm**  
EPA= 1.5 ft<sup>2</sup> (.46m<sup>2</sup>)  
Weight= 56lbs. (25kg)

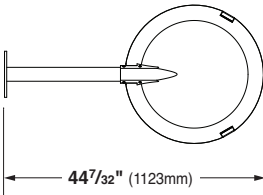


# Discera 6

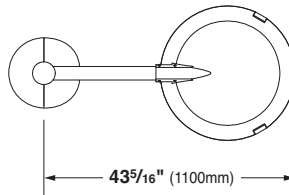
**selux**

## Long Arm Mounting

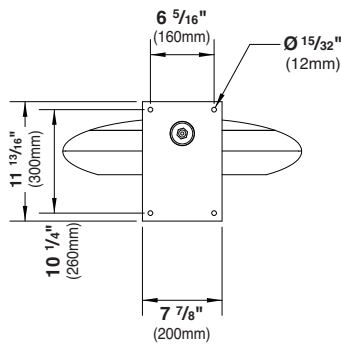
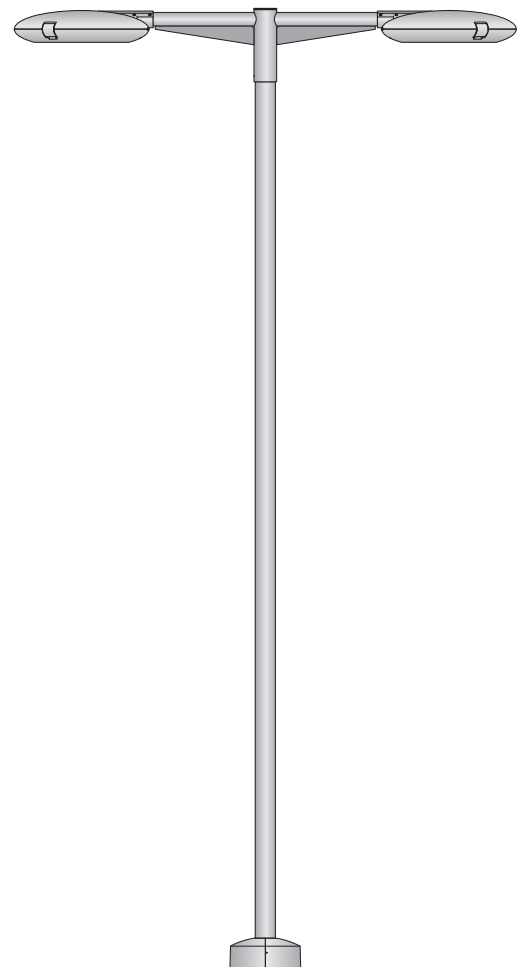
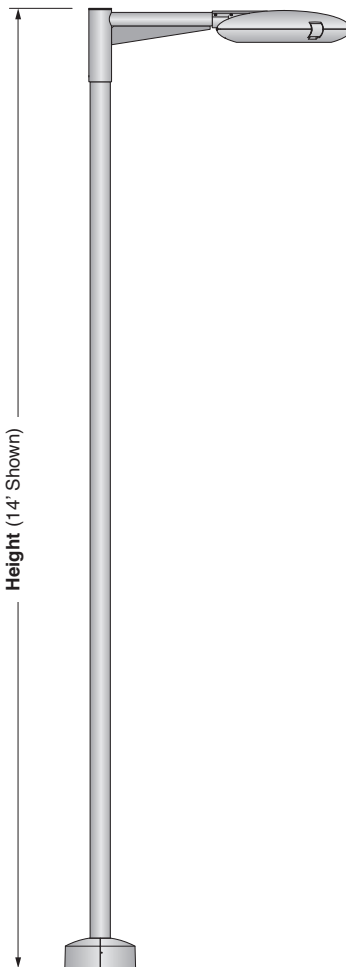
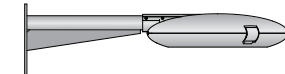
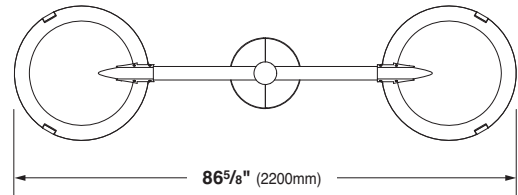
**LW Long Wall Mount**  
 EPA= .85 ft<sup>2</sup> (.26m<sup>2</sup>)  
 Weight= 26lbs. (12kg)



**L1 Single Long Arm**  
 EPA= .85 ft<sup>2</sup> (.26m<sup>2</sup>)  
 Weight= 26lbs. (12kg)

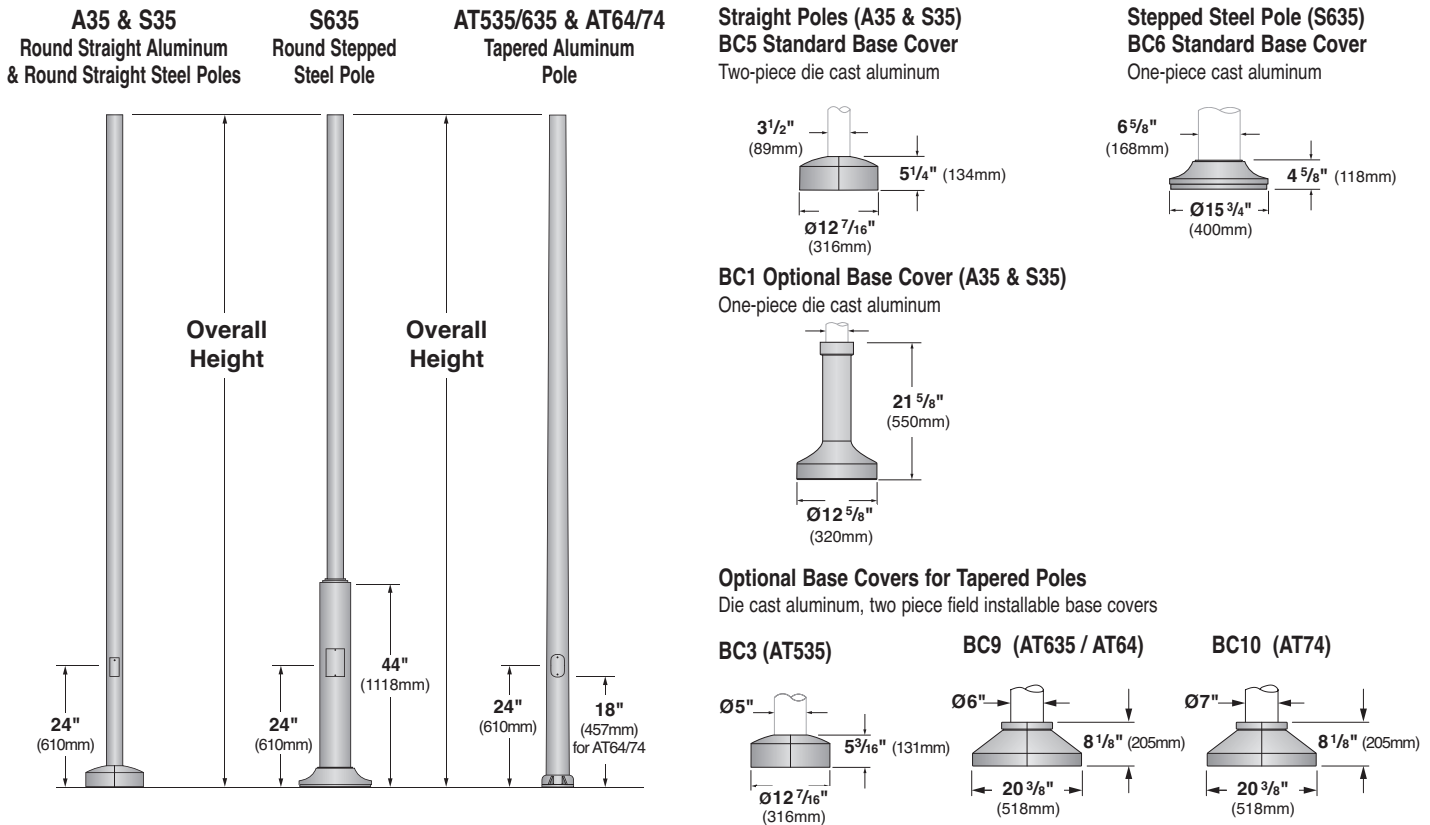


**L2 Double Long Arm**  
 EPA= 1.24 ft<sup>2</sup> (.38m<sup>2</sup>)  
 Weight= 56lbs. (25kg)



## Pole Information

Refer to A35, S635, S35, AT535/635 and AT64/74 Pole specification sheets for construction details, anchorage information and additional options.

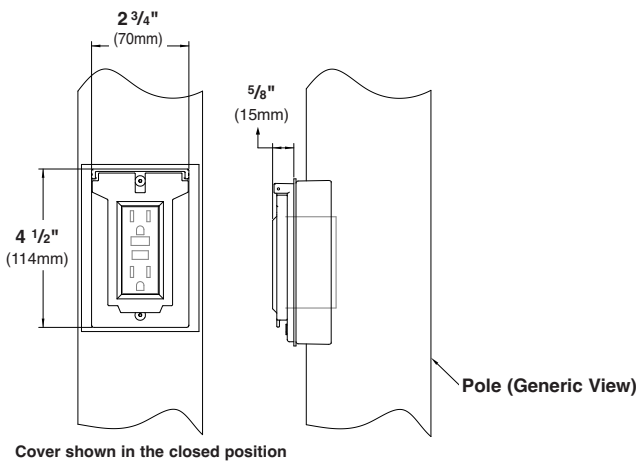


Pole Series	Bolt Circle	EPA Information (ft <sup>2</sup> )					Height	Finish	Options
		70 mph	80 mph	90 mph	100 mph	110 mph			
<b>S635</b> 3 1/2" Diameter Stepped Steel Pole	9"	45.6	35.0	27.3	21.6	17.8	10 10 ft.	WH White	BC1 Die Cast Base Cover (A35 & S35 poles only)
<b>A35</b> 3 1/2" Dia. Straight Aluminum Pole	7 3/4"	12.4	9.3	7.1	5.4	4.3			
<b>S35</b> 3 1/2" Diameter Straight Steel Pole	7 3/4"	11.4	8.6	6.5	4.9	3.9			
<b>S635</b> 3 1/2" Diameter Stepped Steel Pole	9"	37.6	28.7	22.3	17.5	14.4	12 12 ft.	BK Black	BC3 Die Cast Base Cover (for AT535 poles only)
<b>A35</b> 3 1/2" Dia. Straight Aluminum Pole	7 3/4"	9.9	7.3	5.4	4.0	3.1			
<b>S35</b> 3 1/2" Diameter Straight Steel Pole	7 3/4"	9.1	6.7	4.9	3.6	2.8			
<b>AT535</b> 5" to 3 1/2" Tapered Aluminum Pole	8 1/2"	19.4	14.4	10.9	8.6	6.9	14 14 ft.	BZ Bronze	BC9 Die Cast Base Cover (for AT64 poles only)
<b>S635</b> 3 1/2" Diameter Stepped Steel Pole	9"	31.7	24.2	18.6	14.6	11.9			
<b>A35</b> 3 1/2" Dia. Straight Aluminum Pole	7 3/4"	8.0	5.8	4.2	3.0	2.2			
<b>S35</b> 3 1/2" Diameter Straight Steel Pole	7 3/4"	7.3	5.3	3.8	2.7	1.9	16 16 ft.	SV Silver	BC10 Die Cast Base Cover (for AT74 poles only)
<b>AT535</b> 5" to 3 1/2" Tapered Aluminum Pole	8 1/2"	12.9	9.4	7.1	5.5	4.4			
<b>S635</b> 3 1/2" Diameter Stepped Steel Pole	9"	21.7	15.8	12.3	9.6	7.6			
<b>A35</b> 3 1/2" Dia. Straight Aluminum Pole	7 3/4"	4.9	3.2	2.2	1.4	0.8	18 18 ft.	SP Specify Premium Color	REC GFCI Receptacle with weather-proof cover*
<b>S35</b> 3 1/2" Diameter Straight Steel Pole	7 3/4"	4.4	2.8	1.9	1.2	0.6			
<b>AT535</b> 5" to 3 1/2" Tapered Aluminum Pole	8 1/2"	10.7	7.7	5.6	4.2	3.3			
<b>AT535</b> 5" to 3 1/2" Tapered Aluminum Pole	8 1/2"	11.1	7.8	5.6	4.2	3.2	20 20 ft.	REC2 GFCI Receptacle with padlockable in-use cover	T35 3 1/2" Tennon (supplied with A64 poles for arm mounting)
<b>AT64</b> 6" to 4" Tapered Aluminum Pole	9 3/4"	15.7	11.5	8.7	6.9	5.5			
<b>AT64</b> 6" to 4" Tapered Aluminum Pole	9 3/4"	13.5	9.6	7.1	5.6	4.4			
<b>AT74</b> 7" to 4" Tapered Aluminum Pole	10 1/2"	20.3	15.0	11.4	9.0	7.3			

Other pole configurations available, consult factory. Allowable EPA Calculated according to AASHTO 94 and include allowance for 1.3 gust factor. See Mounting Configuration Pages for fixture, arm weight and EPA values.

## Option Details

**GFCI Receptacle (REC)** - 120V 15A GFCI duplex receptacle with weather-proof, self-closing cover; located 36" (915mm) from base of pole, inline with handhole. Receptacle is intended only for portable tools or other portable equipment to be connected to outlet only when attended by operating personnel. For use with 120V applications only. For other fixture voltages, please consult factory for wire segregation requirements.



**GFCI Receptacle (REC2)** - 120V 15A GFCI duplex receptacle with weather-proof, self-closing, pad-lockable in-use cover; located 36" (915mm) from base of pole, inline with handhole. Receptacle is intended only for portable tools or other portable equipment to be connected to outlet only when attended by operating personnel. For use with 120V applications only. For other fixture voltages, please consult factory for wire segregation requirements.

