

Date: _____ Customer: _____
 Project: _____
 Type: _____ Qty: _____



Discera 4 LED



Order Code: _____

Pole Order Code: _____
 Series Height Finish Options

DSC4L	Series	DSC4L Discera 4 LED					
	Optics	R1 Type I Distribution	R2 Type II Distribution	R3 Type III Distribution	R5 Type V Distribution		
	Mounting	S1 Single Short Arm Mount	S2 Double Short Arm (180°)	L1 Single Long Arm Mount	L2 Double Long Arm Mount (180°)	LW Long Arm Wall Mount	SW Short Arm Wall Mount
	Light Engine	LG4500 500mA / 51W	LG4700 700mA / 65W	LG4105 1050mA / 100W			
	CCT	30 ¹ 3000K	35 3500K	40 4000K	50 5000K		
	Power Cord Length	12 12'	15 15'	18 18'	20 20'	25 25'	XX ² XX'
	Finish	WH White	BL Semi-Matte Black	BK Black	BZ Bronze	SV Silver	SP Specify Premium Color
	Voltage	120* 120V	208* 208V	240* 240V	277 277V		
	Options	DM ⁵ Dimming (0-10V)	HLXX ^{3,4,5} Hi-Lo Switching	PC Photocell			
		<div style="border: 1px solid black; padding: 5px;"> MS Motion Sensor w/ Optional Photocell (Meets Title 24 Requirements) See page 3 for Order Code </div>					

¹IDA Approved

²Add length of arm and height of pole to determine power cord length.

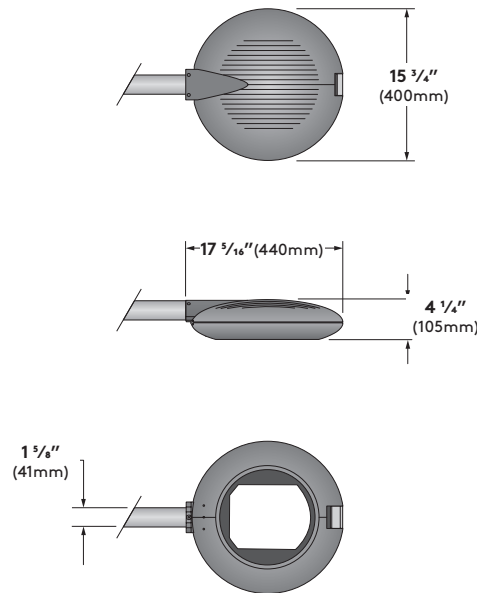
*Specify for HL option

³120V, 240V, & 277V only.

⁴LG4700 & LG4105 Light Engine only.

⁵HL or DM only. Cannot be combined

DSC4L



Specifications

Fixture Housing - Made from high pressure die cast, low copper aluminum alloy.

Gasketing - Continuous molded silicone gasket provides weatherproofing, dust and insect control at all luminaire connections.

Fitter - Cast fitter for direct connection to standard short and long arms.

LED Array - LEDs mounted to PC boards and directly attached to aluminum heat sink for maximum LED performance and life. CCT tolerance 1/4 step binning for 3000K, 3500K, 4000K and ANSI standard for 5000K. Complete light engine can be easily removed for future upgrade. LED light engine provides a reported lumen maintenance of 91% at 60,000 hours. L70 calculated greater than 100,000 hours.

LED Optics - High precision injection molded lenses consisting of Total Internal Reflection (TIR) collimator and one of 3 precision light spahing lenses. Lenses produce a Type I, II, III or V distribution and IDA-Approved™ Dark Sky Friendly at 3000K CCT only.

LED Driver - LEDs are driven by RoHS compliant high-efficiency driver. Minimum starting temperature is -35°C (-31°F).

Surge Protection - Surge protection device safeguards electrical components from indirect lighting strikes and surges up to (20kA standard). RoHS compliant.

Pole Adapter - Made from high pressure die cast, low copper aluminum alloy. To fit Ø 3" Tenon.

Glass Lens - Tempered and screened glass lens protects and helps seal optical chamber.

Tool-Less Latch - Tool-less steel latch for easy access to light engine.

Access Door - Lower casting features tempered glass lens and a stainless steel hinge that attaches to upper casting on mounting arm side. Other side is secured with tool-less latch for ease of maintenance.

Surge Protection - Designed to protect luminaire from electrical surge (up to 10kA).

Heat Sink Fins - Fins add significant surface area for maximized thermal cooling.

Mounting Arm - Welded steel with powder coat finish.

Exterior Luminaire Finish -

Selux utilizes a high quality Polyester Powder Coating. All Selux luminaires and poles are finished in our Tiger Drylac certified facility and undergo a five stage intensive pretreatment process where product is thoroughly cleaned, phosphated and sealed. Selux powder coated products provide excellent salt and humidity resistance as well as ultra violet resistance for color retention. All products are tested in accordance with test specifications for coatings from ASTM and PCI.

Standard exterior colors are White (WH), Black (BK), Semi-Matte Black (BL), Bronze (BZ), and Silver (SV). Selux premium colors (SP) are available, please specify from your Selux color selection guide. Hot Dip Galvanized finish (GV) on all steel parts also available.

5 Year Limited LED Luminaire Warranty -

Selux offers a 5 Year Limited Warranty to the original purchaser that the Selux LED luminaire shall be free from defects in material and workmanship for up to five (5) years from date of shipment. This limited warranty covers the fixture, LED driver and LED light engine when installed and operated according to Selux instructions. Fixture suitable for ambient temperatures of 40° C (104° F). For details and exclusions, see "Selux Terms and Condition of Sale."

Listings and Ratings: Luminaire and LEDs tested to IP66, IK10 and IESNA LM-79-08 standards. LEDs tested to LM-80 standards. LEDs tested at 25° C ambient temperature.

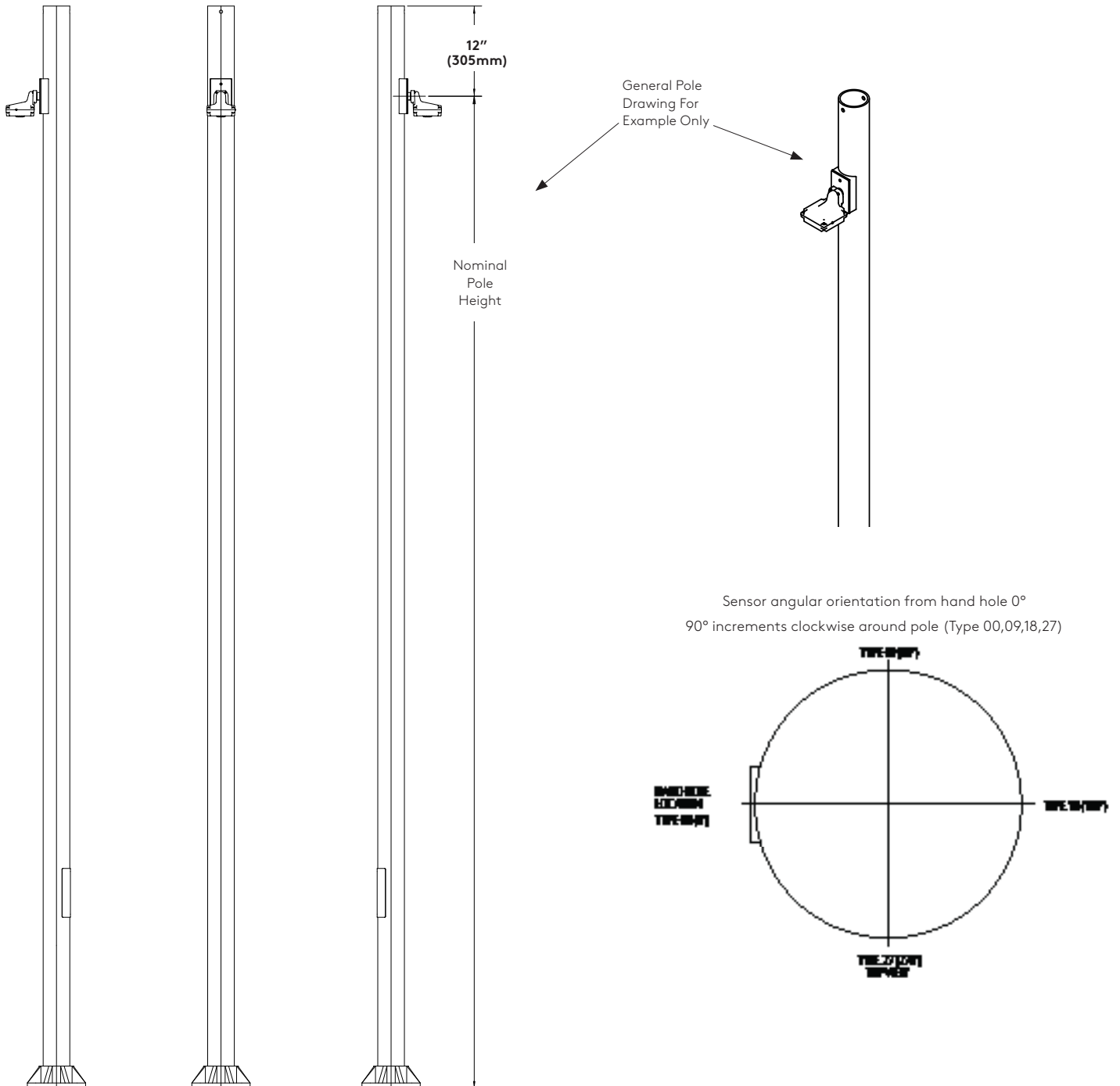
Visit selux.us for our LED End of Life recycling policy.

Motion Sensor Features

The Selux outdoor rated sensor incorporates Passive Infrared (PIR) technology for motion sensing and also includes a built in photocell. Designed to mount directly through a 1/2" KO in a single gang faceplate on pole/column, the SBO utilizes 100% Digital Passive Infrared (PIR) technology that is tuned for walking size while preventing false tripping from the environment.

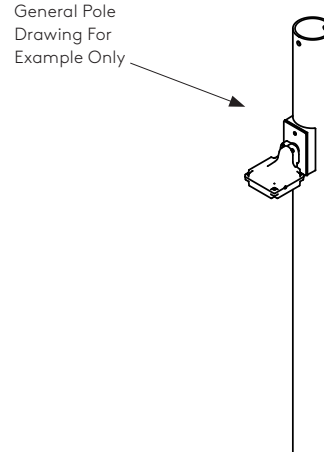
Series	Optics	Hand Hole Orientation	Program	Color	Photocell Feature	Voltage
MS Motion Sensor	1 270° coverage - Single Sensor	00	D0 (0V=0%)	WH White	Y Yes	UNV
		09	D1 (1V=10%)	BK Black	N No	347
		18	D3 (3V=30%)	BZ Bronze		480
		27	D5 (5V=50%)			

NOTE: Motion sensor comes programmed at 30% dimmed level with a 5 min. delay as default. All programming required after shipping by others.

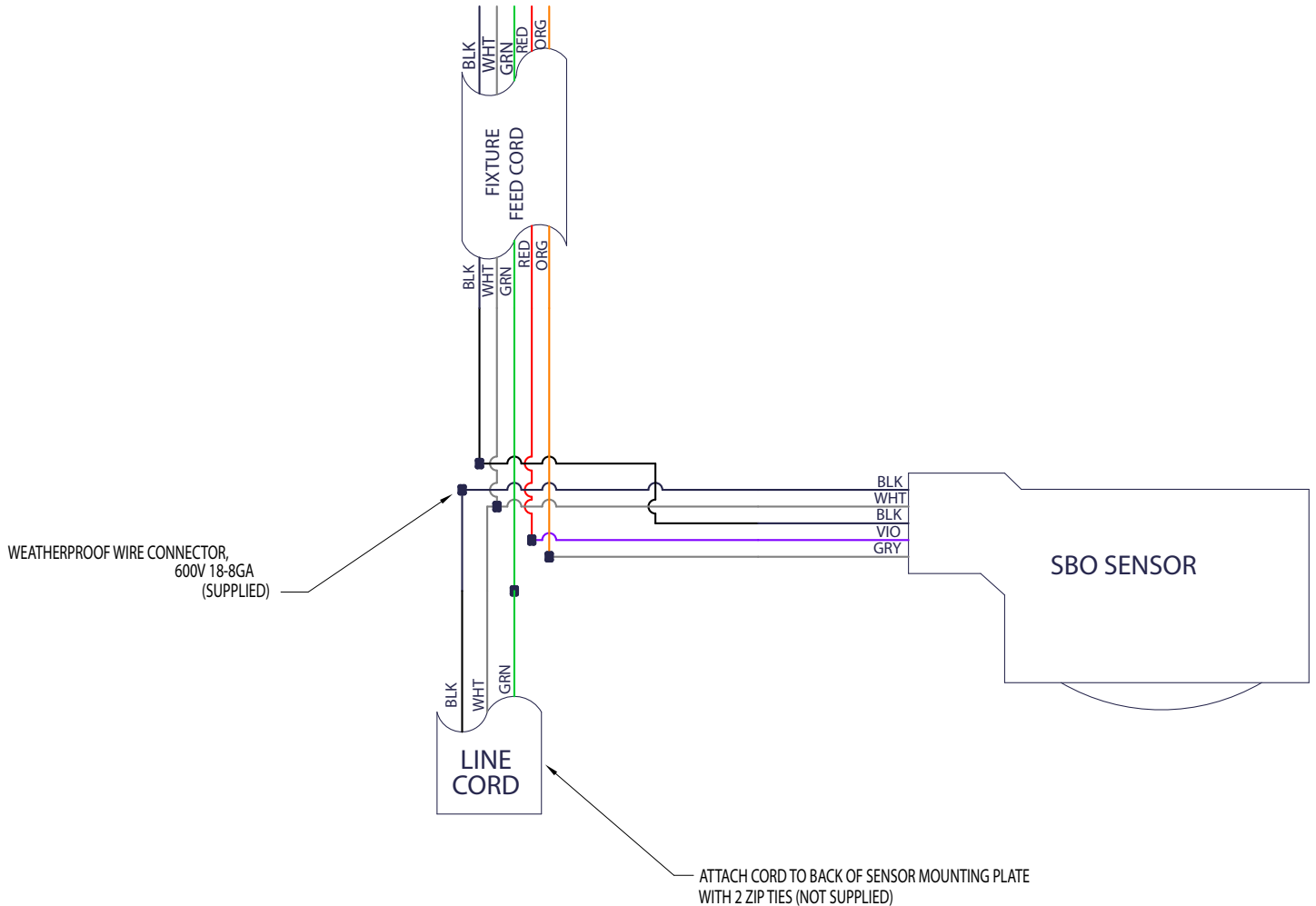


Motion Sensor Features

- 100% Digital PIR Detection, excellent RF Immunity
- 270° coverage pattern
- Up to 30ft mounting
- IP66 Rated for outdoor applications
- Built-in 1kV surge protection
- No minimum load requirements
- Made for LED light source
- Interchangeable hot and load wires - impossible to wire backwards
- Adjustable time delays, max/min dim levels and ramp rates
- Programming button accessible without opening sensor or removing gaskets
- No field calibration or sensitivity adjustments required
- Non-volatile setting memory
- Convenient test mode
- Suitable for Title 24 applications

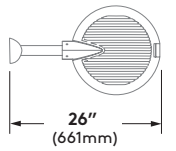


Motion Sensor Wiring Diagram

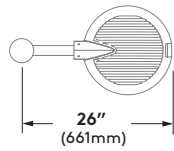


Mounting

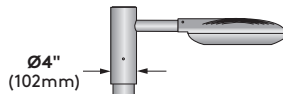
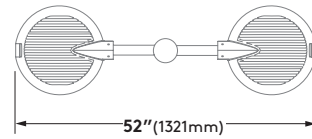
SW Short Arm Wall
EPA = 0.65ft² (0.13m²)
Weight = 23 lbs. (10kg)



S1 Single Short Arm
EPA = 0.65ft² (0.13m²)
Weight = 23 lbs. (10kg)

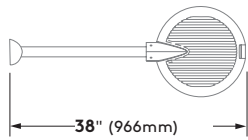


S2 Double Short Arm
EPA = 1.2ft² (0.11m²)
Weight = 46 lbs. (21kg)

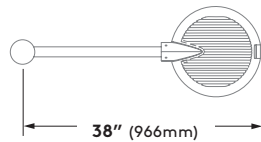


Mounting

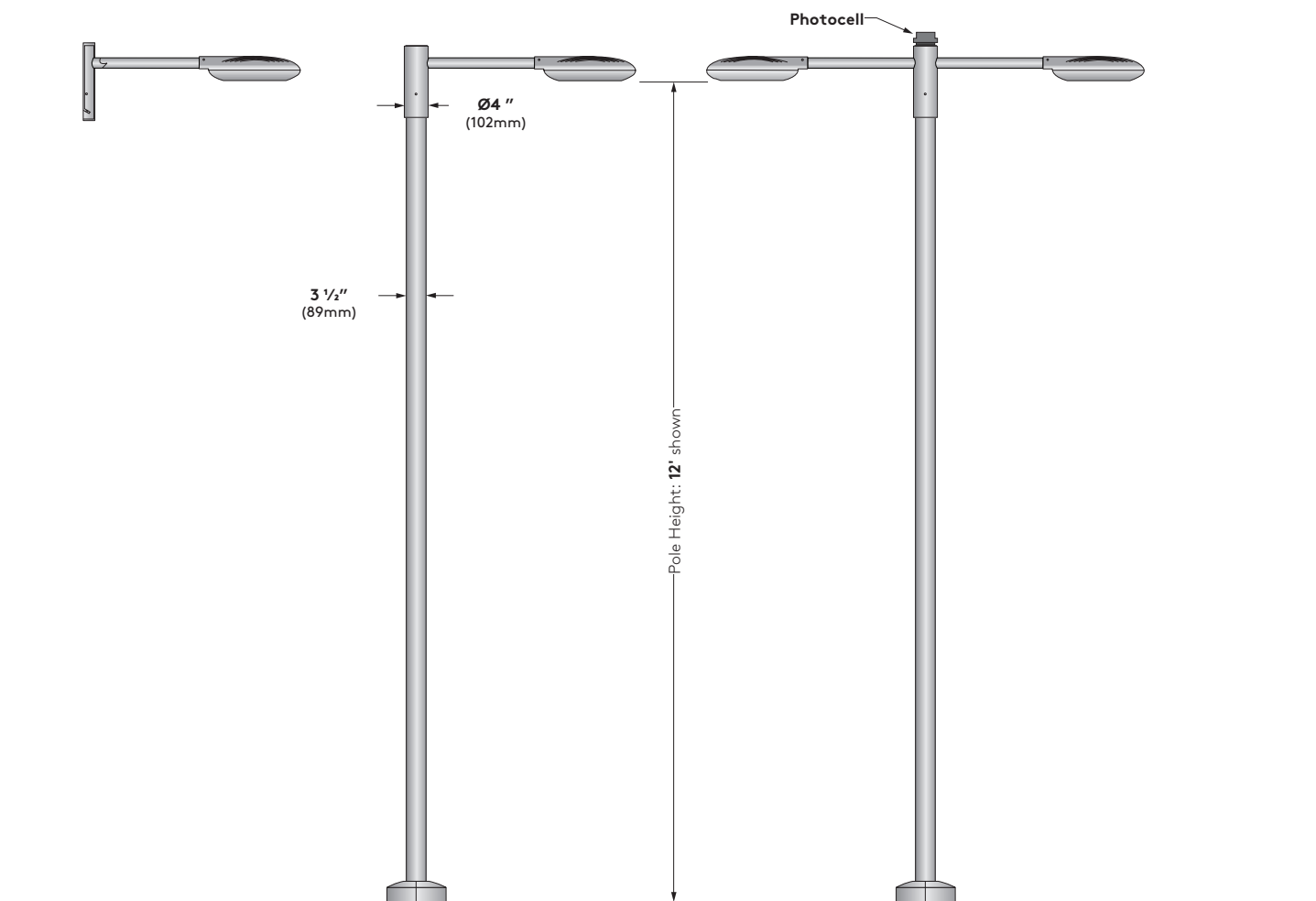
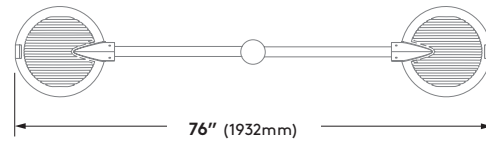
LW Long Wall Mount
 EPA = .75ft² (0.13m²)
 Weight = 23 lbs. (10kg)



L1 Single Long Arm
 EPA = 1.7ft² (0.16m²)
 Weight = 52 lbs. (23.6kg)

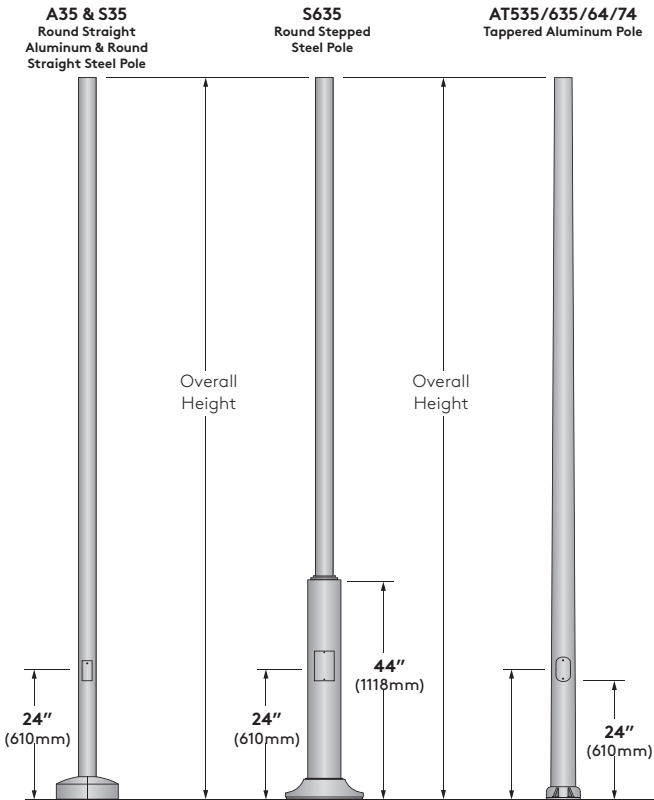


L2 Double Long Arm
 EPA = 2.5ft² (0.23m²)
 Weight = 69.7 lbs. (31.7kg)



Pole Information

Refer to pole specification sheets for construction details, anchorage information and additional options.

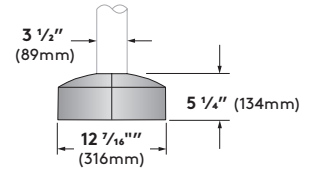


Optional Base Covers for Poles

Die cast aluminum, two-piece field installable base covers.

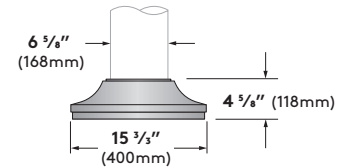
BC5 Optional Base Cover (A35 & S35)

Die cast aluminum, two-piece field installable base cover.



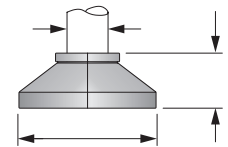
BC6 Optional Base Cover (S635)

Die cast aluminum, one-piece field installable base cover.



BC10 Optional Base Cover (AT74)

Die cast aluminum, two-piece field installable base cover.



Pole Data Chart

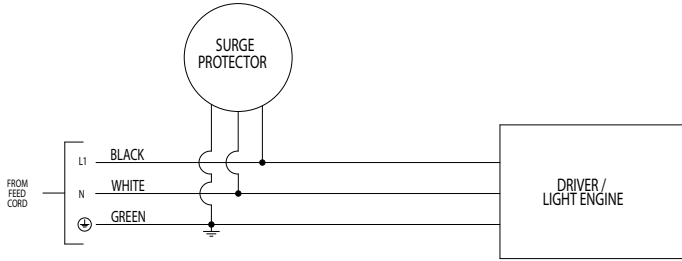
Pole Series	Bolt Circle	EPA Information					Height	Finish	Options
		70mph	80mph	90mph	100mph	110mph			
S635 3 1/2" Diameter Stepped Steel Pole	Ø9"	45.6	35.0	27.3	21.6	17.8	10 10 ft.	WH White	BC3 Decorative Cast Aluminum Base Cover (AT535 poles only)
A35 3 1/2" Diameter Straight Aluminum Pole	Ø7 3/4"	12.4	9.3	7.1	5.4	4.3		BK Black	
S35 3 1/2" Diameter Straight Steel Pole	Ø7 3/4"	11.4	8.6	6.5	4.9	3.9			
S635 3 1/2" Diameter Stepped Steel Pole	Ø9"	37.6	28.7	22.3	17.5	14.4	12 12 ft.	BL Semi-Matte Black	BC9 Decorative Cast Aluminum Base Cover (AT64 poles only)
A35 3 1/2" Diameter Straight Aluminum Pole	Ø7 3/4"	9.9	7.3	5.4	4.0	3.1		BZ Bronze	BC10 Decorative Cast Aluminum Base Cover (AT74 poles only)
S35 3 1/2" Diameter Straight Steel Pole	Ø7 3/4"	9.1	6.7	4.9	3.6	2.8		SV Silver	
AT535 5" to 3 1/2" Tapered Aluminum Pole	Ø8 1/2"	19.4	14.4	10.9	8.6	6.9	14 14 ft.	SP Specify Premium Color	REC GFCI Receptacle with weatherproof cover ¹ (120V only)
S635 3 1/2" Diameter Stepped Steel Pole	Ø9"	31.7	24.2	18.6	14.6	11.9			REC2 GFCI Receptacle with padlockable in-use cover ¹ (120V only)
A35 3 1/2" Diameter Straight Aluminum Pole	Ø7 3/4"	8.0	5.8	4.2	3.0	2.2			
S35 3 1/2" Diameter Straight Steel Pole	Ø7 3/4"	7.3	5.3	3.8	2.7	1.9	16 16 ft.		MS Motion Sensor with Optional Photocell (Meets Title 24 Requirements)
AT535 3 1/2" Diameter Straight Steel Pole	Ø8 1/2"	12.9	9.4	7.1	5.5	4.4			T35 3 1/2" Tennon (Required for AT64/AT74 poles for arm mounting)
S635 3 1/2" Diameter Stepped Steel Pole	Ø9"	21.7	15.8	12.3	9.6	7.6			
A35 3 1/2" Diameter Straight Aluminum Pole	Ø7 3/4"	4.9	3.2	2.2	1.4	0.8	18 18 ft.		
S35 3 1/2" Diameter Straight Steel Pole	Ø7 3/4"	4.4	2.8	1.9	1.2	0.6			
AT535 5" to 3 1/2" Tapered Aluminum Pole	Ø8 1/2"	10.7	7.7	5.6	4.2	3.3			
AT535 5" to 3 1/2" Tapered Aluminum Pole	Ø8 1/2"	11.1	7.8	5.6	4.2	3.2	20 20 ft.		
AT64 3 1/2" Diameter Straight Aluminum Pole	Ø7 3/4"	15.7	11.5	8.7	6.9	5.5			
AT64 3 1/2" Diameter Straight Aluminum Pole	Ø7 3/4"	13.5	9.6	7.1	5.6	4.4			

Allowable EPA calculated according to AASHTO 1994 and include allowance for 1.3 gust factor. See Mounting Configuration pages for fixture arm weight and EPA values.

Wiring Diagrams

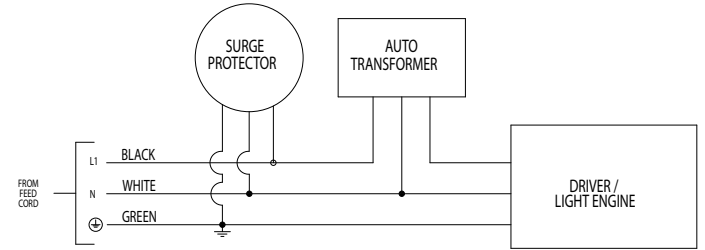
Standard Wiring for UNV

Standard wiring for 120-277V with no additional options.



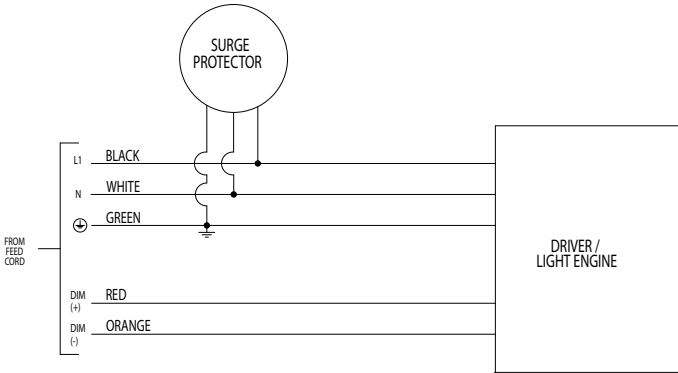
Standard Wiring for 347/480V

Standard wiring for 347/480V with no additional options.



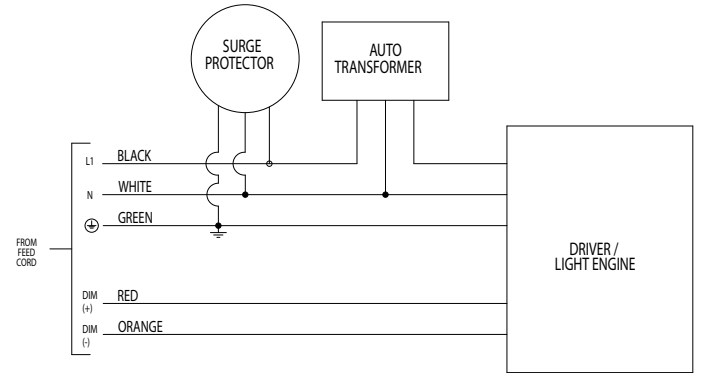
0-10V Dimming Option (DM) Wiring for UNV

100% light output at 10V, down to 1% light output at 0V.



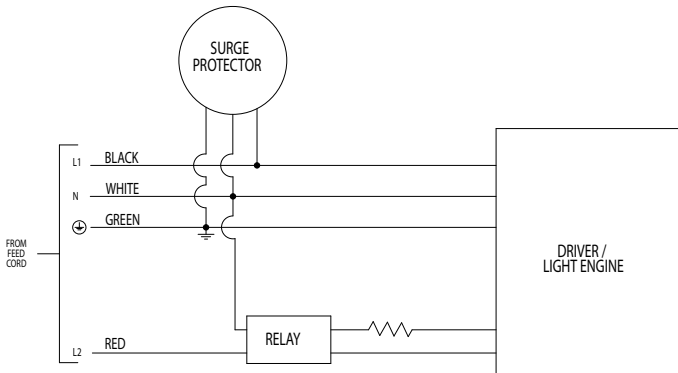
0-10V Dimming Option (DM) Wiring for 347/480V

100% light output at 10V, down to 1% light output at 0V.



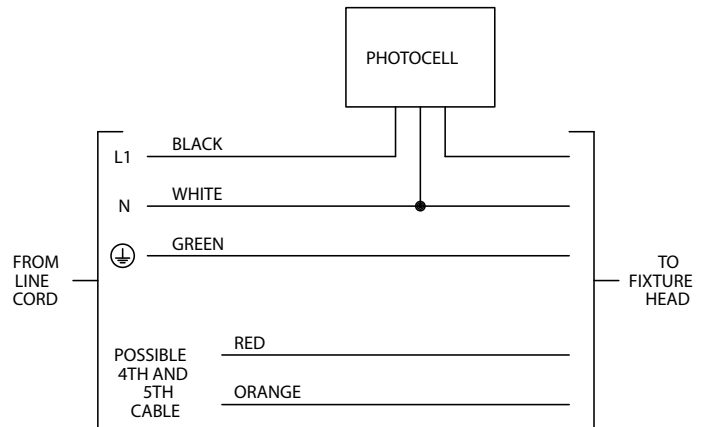
Hi-Lo Switching Option (HLXX) Wiring

120/240/277V. When red is energized, light output will be at "Lo" level.



Photocell Wiring

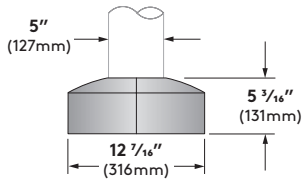
Available for all configurations except Short Arm Wall Mount (SW), Single Pole Adapter (SA)



Optional Accessories

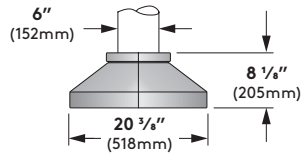
BC3 Optional Base Cover (AT535)

Die cast aluminum, two-piece field installable base cover.



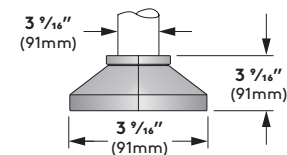
BC9 Optional Base Cover (AT635 / AT64)

Die cast aluminum, two-piece field installable base cover.



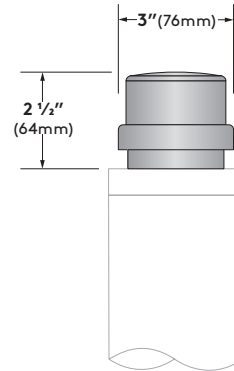
BC10 Optional Base Cover (AT74)

Die cast aluminum, two-piece field installable base cover.

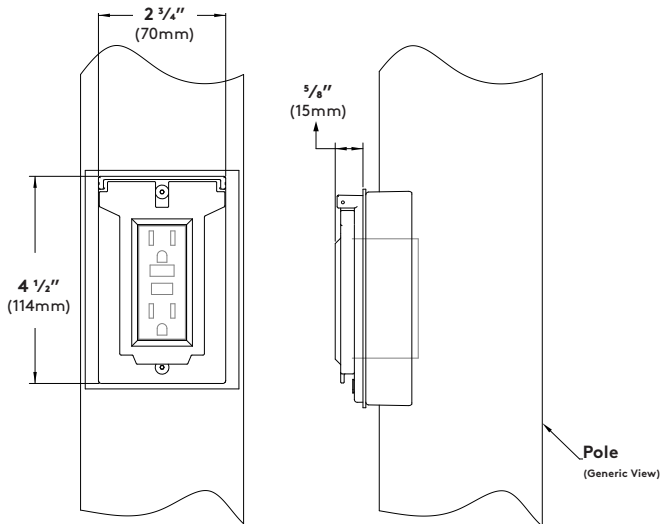


PC (Photocell) Option Detail

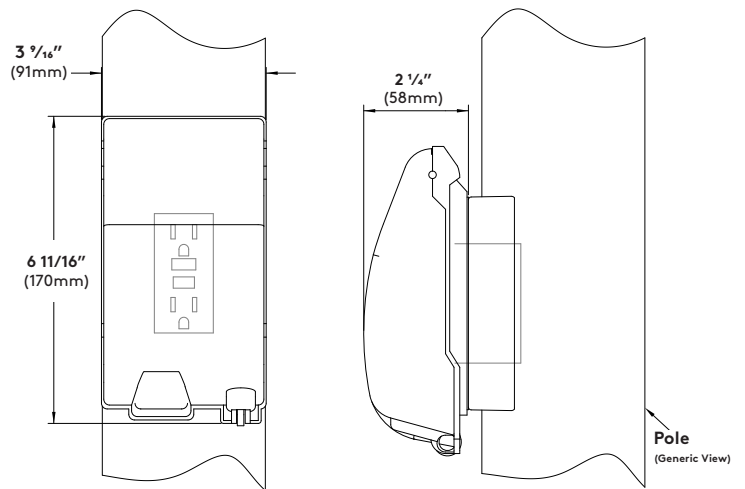
Note: Photocell is available for all pole and arm mounting configurations except Direct Mount



GFCI Receptacle (REC) - 120V 15A GFCI duplex receptacle with weather-proof, self-closing, non-lockable cover; located 36" (915mm) from base of pole, inline with handhole. Receptacle is intended only for portable tools or other portable equipment to be connected to outlet only when attended by operating personnel. For use with 120V applications only. For use with luminaires with other than 120V rating, please consult factory for wire segregation.



GFCI Receptacle (REC2) - 120V 15A GFCI duplex receptacle with weather-proof, self-closing, padlockable in-use cover; located 36" (915mm) from base of pole, inline with handhole. Receptacle is intended only for portable tools or other portable equipment to be connected to outlet only when attended by operating personnel. For use with 120V applications only. For use with luminaires with other than 120V rating, please consult factory for wire segregation.



USB & Duplex Receptacle (REC3) (not shown) - 120V 15A duplex receptacle with USB combination ports. (1) type A and (1) type C high power 5 Amp, 5 Volt USB outlets.

With weather-proof, self-closing cover; located 36" (915mm) from base of pole, inline with handhole. Receptacle is intended only for portable tools or other portable equipment to be connected to outlet only when attended by operating personnel.

USB & Duplex Receptacle (REC4) (not shown) - 120V 15A duplex receptacle with USB combination ports. (1) type A and (1) type C high power 5 Amp, 5 Volt USB outlets.

With weather-proof, self-closing padlockable in-use cover; located 36" (915mm) from base of pole, inline with handhole. Receptacle is intended only for portable tools or other portable equipment to be connected to outlet only when attended by operating personnel.

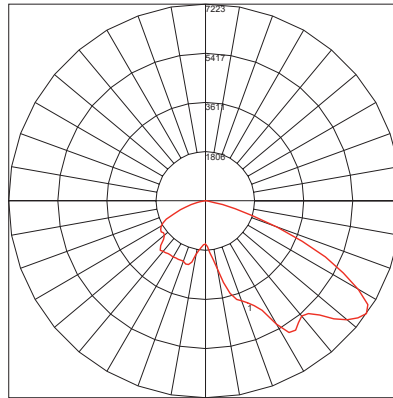
Discera 4 LED



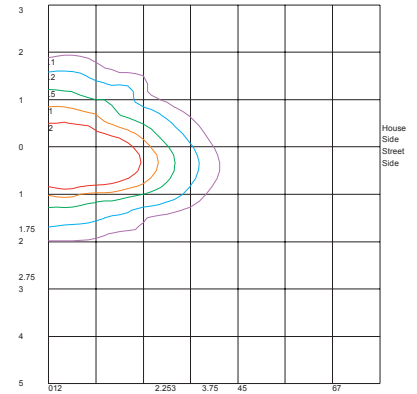
Photometry

R1 Optics / 103W / 5000K CCT

Catalog #: DSC4L-XX-LG4105-R1-50-120
 Report #: LM-63-1995
 Delivered Lumens: 8918
 Input Watts: 102.5W
 Efficacy: 87
 CCT: 5000K
 CRI (Ra): 72
 Maximum candela of 7222 at 55° from vertical.
 IES classification: Type I
 BUG Rating: B2-U0-G1
 Power Factor: 0.992
 Total Harmonic Distortion: 6.82%



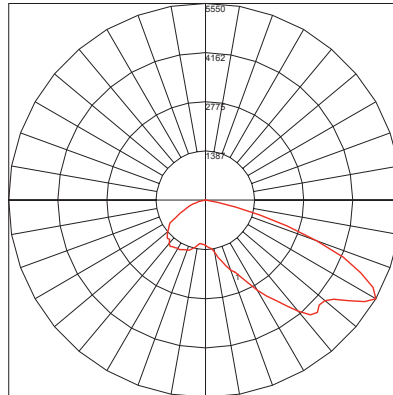
Maximum Candela = 7222.995 Located At Horizontal Angle = 77.5, Vertical Angle = 55
 # 1 - Vertical Plane Through Horizontal Angles (77.5 - 257.5) (Through Max. Cd.)



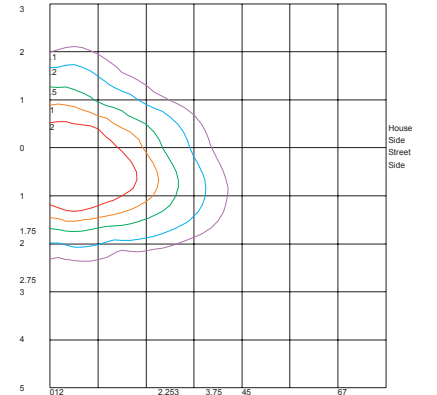
Distance In Units Of Mounting Height
 Values Based On 16 Foot Mounting Height

R2 Optics / 102W LED / 5000K CCT

Catalog #: DSC4L-XX-LG4105-R2-50-120
 Report #: LM-63-1995
 Delivered Lumens: 8779
 Input Watts: 102W
 Efficacy: 86
 CCT: 5000K
 CRI (Ra): 72
 Maximum candela of 5549.5 at 60° from vertical.
 IES classification: Type II
 Mounting Height: 16' (4.9 m)
 BUG Rating: B2-U0-G1
 Power Factor: 0.992
 Total Harmonic Distortion: 6.82%



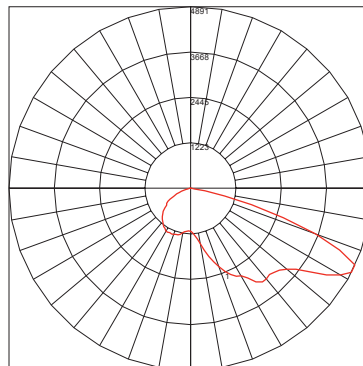
Maximum Candela = 5549.596 Located At Horizontal Angle = 65, Vertical Angle = 60
 # 1 - Vertical Plane Through Horizontal Angles (65 - 245) (Through Max. Cd.)



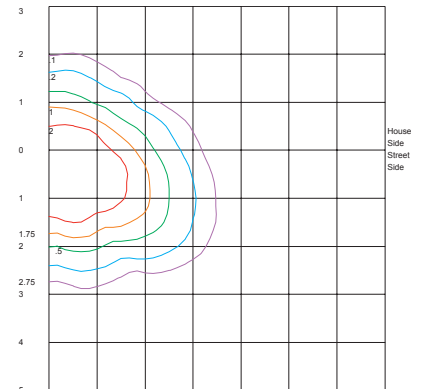
Distance In Units Of Mounting Height
 Values Based On 16 Foot Mounting Height

R3 Optics / 102W LED / 5000K CCT

Catalog #: DSC4L-XX-LG4105-R3-50-120
 Report #: LM-63-1995
 Delivered Lumens: 8393
 Input Watts: 102W
 Efficacy: 82
 CCT: 5000K
 CRI (Ra): 72
 Maximum candela of 4891 at 65° from vertical.
 IES classification: Type III
 Mounting Height: 16' (4.9 m)
 BUG Rating: B2-U0-G1
 Power Factor: 0.992
 Total Harmonic Distortion: 6.82%



Maximum Candela = 4890.85 Located At Horizontal Angle = 60, Vertical Angle = 65
 # 1 - Vertical Plane Through Horizontal Angles (60 - 240) (Through Max. Cd.)



Distance In Units Of Mounting Height
 Values Based On 16 Foot Mounting Height

Photometry

R5 Optics / 103W / 5000K CCT

Catalog #: DSC4L-XX-LG4105-R5-50-120

Report #: LM-63-1995

Delivered Lumens: 8406

Input Watts: 102W

Efficacy: 82

CCT: 5000K

CRI (Ra): 72

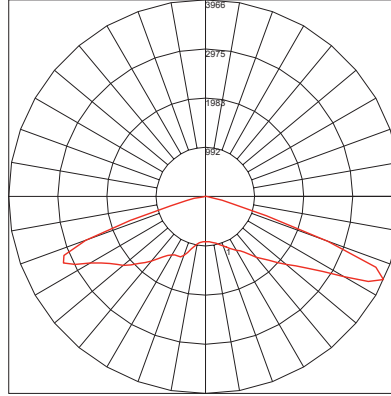
Maximum candela of 3966 at 65° from vertical.

IES classification: Type VS

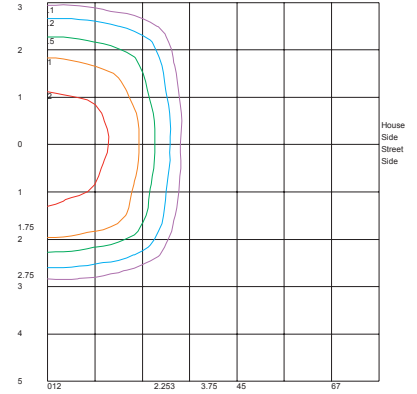
BUG Rating: B3-U0-G1

Power Factor: 0.992

Total Harmonic Distortion: 6.82%



Maximum Candela = 3966.112 Located At Horizontal Angle = 45, Vertical Angle = 65
1 - Vertical Plane Through Horizontal Angles (45 - 225) (Through Max. Cd.)



Distance In Units Of Mounting Height
Values Based On 16 Foot Mounting Height

Conversion Chart

Values based on 16' (4.9) mounting height

Mounting Height	Multiply
10' (3.0 m)	1.27
12' (3.7 m)	1.16
14' (4.3 m)	1.07
16' (4.9 m)	1.00
18' (5.5 m)	0.84

LED CCT Prorate Table

Values based on Flux Binning

CCT	Theoretical Multiply
3000K	1.000
3500K	0.961
4000K	1.073
5000K	1.115

LED Information	Standard Power Electrical Specification (Type V Shown)											
	5000K			4000K			3500K			3000K		
Color Temperature												
Drive Current (mA)	1050	700	500	1050	700	500	1050	700	500	1050	700	500
Performance												
Delivered Lumens (lm)	8406	6023	4480	8094	5800	4314	7251	5196	3865	7540	5403	4019
Wattage (W)	102	68	50	102	68	50	102	68	50	102	68	50
Efficacy (lm/W)	82	88	89	79	85	86	71	76	77	73	79	82