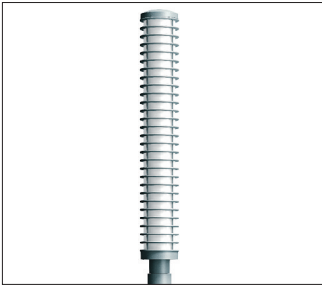


Corral[®] Column


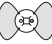


selux

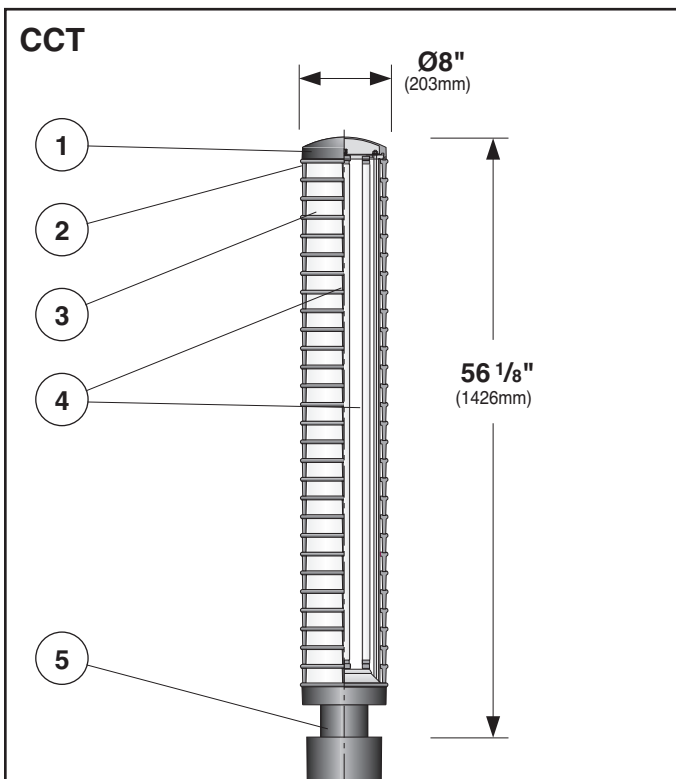


Project: _____

Type: _____ Qty: _____

Series Height Lamping Finish Voltage Options

Series	Height	Lamping	Finish	Voltage	Options
CCT Corral [®] Column Round Tapered Pole	12 12'	1T8 (1x)FO32T8 	WH White BK Black	120 277	REC GFCI Receptacle w/ weather-proof cover
	14 14'	2T8 (2x)FO32T8 	BZ Bronze SV Silver	347	REC2 GFCI Receptacle w/ padlockable in-use cover
CCS Corral [®] Column Round Straight Pole		3T8 (3x)FO32T8 	SP Specify Premium Color		CWB Cold Weather Ballast Consult factory for other heights and options
		4T8 (4x)FO32T8 			



1. Fixture Cover - Die-cast, aluminum cover, with smooth crisp form to reflect and complement the column design. Thick-walled, aluminum cover is painted white on the interior for maximum luminaire efficiency. Removes by loosening three vandal-resistant, stainless steel screws for easy access to lamp chamber.

2. Gasketing - Continuous gaskets provide weather-proofing, dust, and insect control at all fixture connections.

3. Shielding - White, translucent, UV stabilized acrylic, minimum wall thickness 0.118" (3mm) inside of die cast aluminum "Corral" rings.

4. Lamp - One, two, three or four FO32T8 (32 watts each) fluorescent lamps on removable gear tray, mounted vertically. Lamps provided by others.

5. Column Fitter - Die-cast aluminum fitter, with built-in gasketing ridges, for smooth transition to column.

6. Ballast - (not shown) Electronic ESB, high power factor, class "P," type "A" sound rating. Minimum lamp starting temperature 0° F (-20° C). Cold Weather Ballast option (minimum

lamp starting temp -20°F/ -29°C) available. Consult factory for more detailed ballast information.

7. Base Cover - (not shown) Standard two-piece base cover is made from die-cast 356 alloy aluminum which is heat treated to produce a T6 temper, measuring 4 1/2" (115mm) height by 1 1/2" (316mm) diameter.

Exterior Luminaire Finish - Selux utilizes a high quality Polyester Powder Coating. All Selux luminaires and poles are finished in our Tiger Drylac certified facility and undergo a five stage intensive pretreatment process where product is thoroughly cleaned, phosphated and sealed. Selux powder coated products provide excellent salt and humidity resistance as well as ultra violet resistance for color retention. All products are tested in accordance with test specifications for coatings from ASTM and PCI.

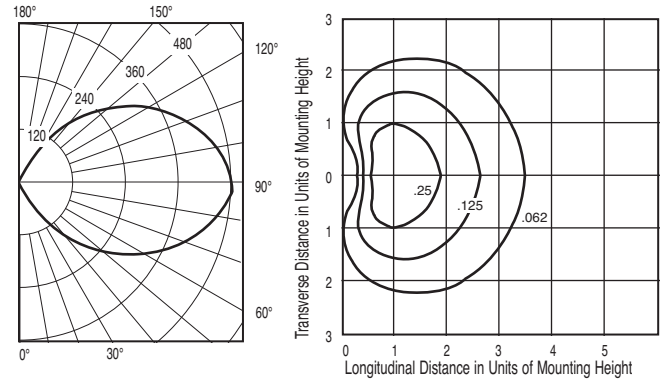
Standard exterior colors are White (WH), Black (BK), Bronze (BZ), and Silver (SV). Selux premium colors (SP) are available, please specify from your Selux color selection guide.

Photometry

CCT with 1T8 lamp

Catalog # CCT - 12 - 1T8
Report # SX 16096

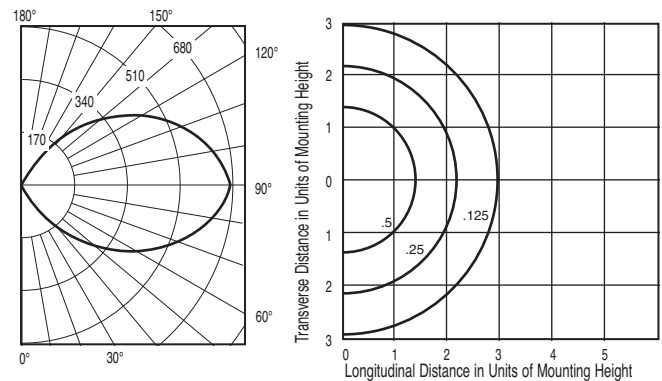
- Maximum candela of 484.6 at 87.5° from vertical.
- IES classification - Type IV Non-cutoff



CCT with 4T8 lamps

Catalog # CCT - 12 - 4T8
Report # SX 16034

- Maximum candela of 671.2 at 90° from vertical.
- IES classification - Type V Non-cutoff

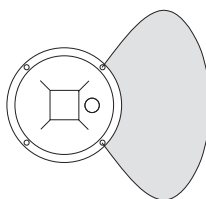


Conversion Chart

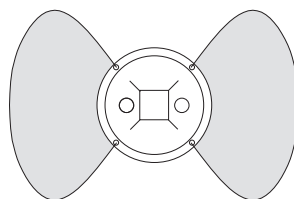
Values based on 14' (4.3m) mounting height.

Mounting Height	Multiply
12' (3.7m)	1.44
14' (4.3m)	1.00

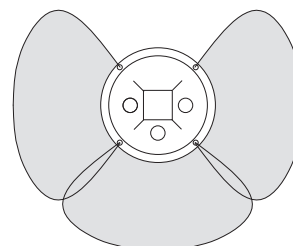
1T8



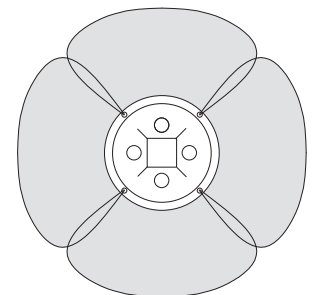
2T8



3T8



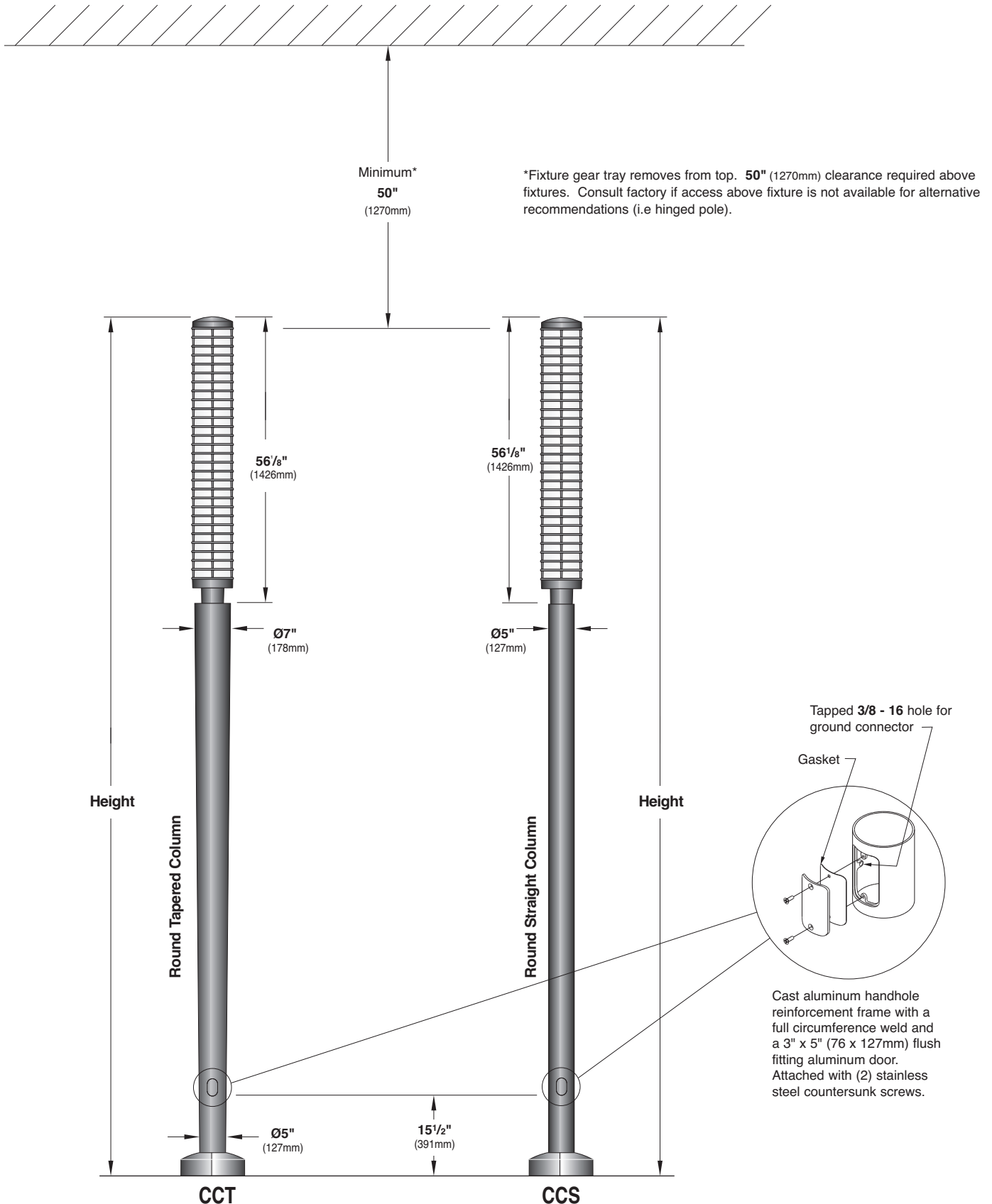
4T8



Corral[®] Column

selux

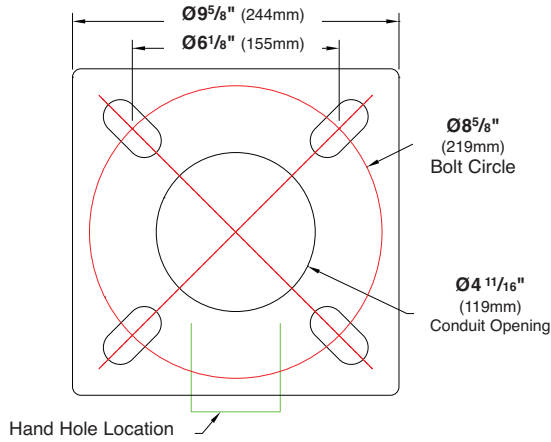
Mounting Details



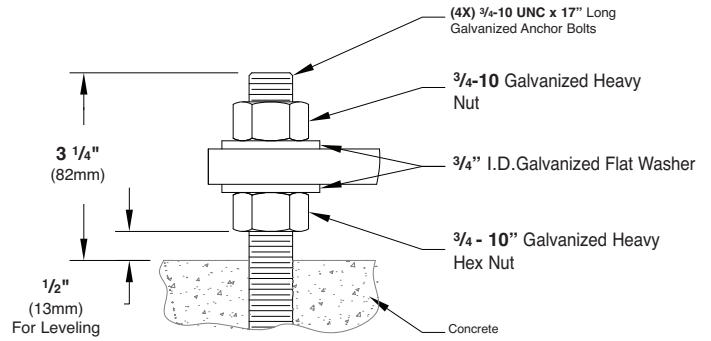
Mounting Details

Bolt Circle

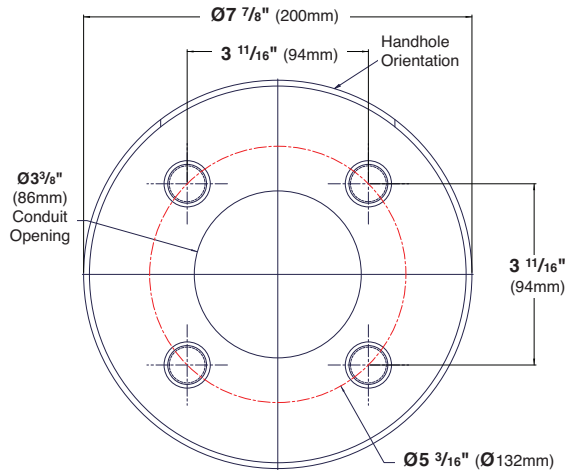
Use caution when setting anchor bolts. Bolts must be vertically straight and centered on dimensions shown. Bolt Circle scale 1-4" = 1'



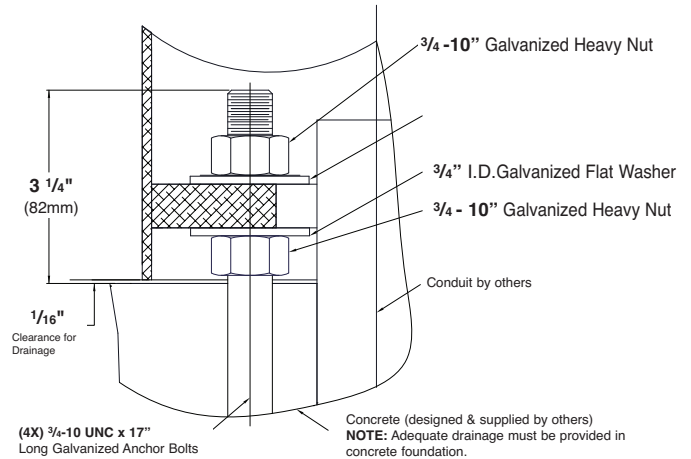
Anchor Bolt Detail



CCS Bolt Circle

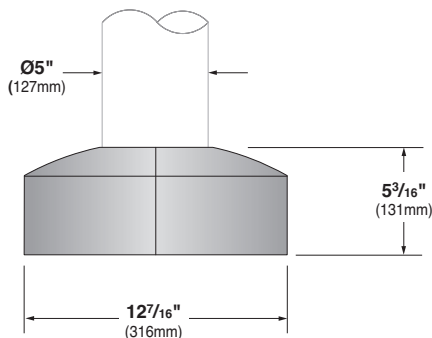


CCS Anchor Bolt Detail

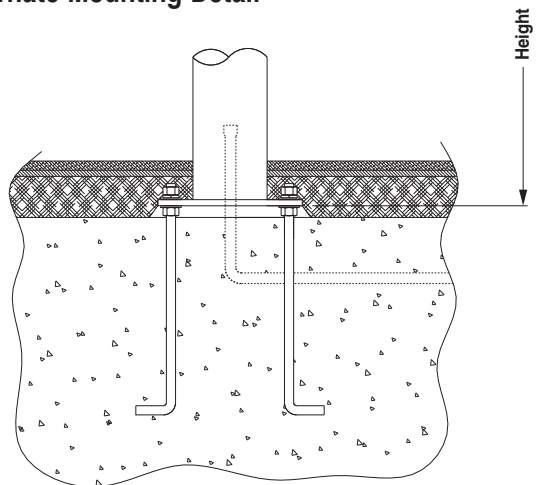


BC3 Standard Base Cover

Die-cast aluminum, two-piece field installable base cover.

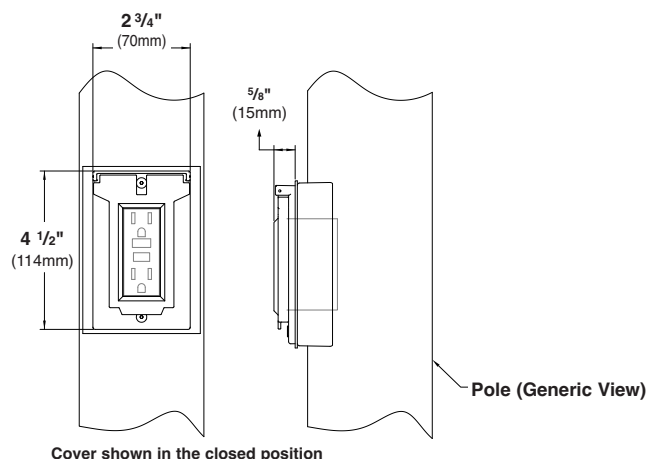


Alternate Mounting Detail



Option Details

GFCI Receptacle (REC) - 120V 15A GFCI duplex receptacle with weather-proof, self-closing cover; located 36" (915mm) from base of pole, inline with handhole. Receptacle is intended only for portable tools or other portable equipment to be connected to outlet only when attended by operating personnel. For use with 120V applications only. For other fixture voltages, please consult factory for wire segregation requirements.



GFCI Receptacle (REC2) - 120V 15A GFCI duplex receptacle with weather-proof, self-closing, padlockable cover; located 36" (915mm) from base of pole, inline with handhole. Receptacle is intended only for portable tools or other portable equipment to be connected to outlet only when attended by operating personnel. For use with 120V applications only. For other fixture voltages, please consult factory for wire segregation requirements.

