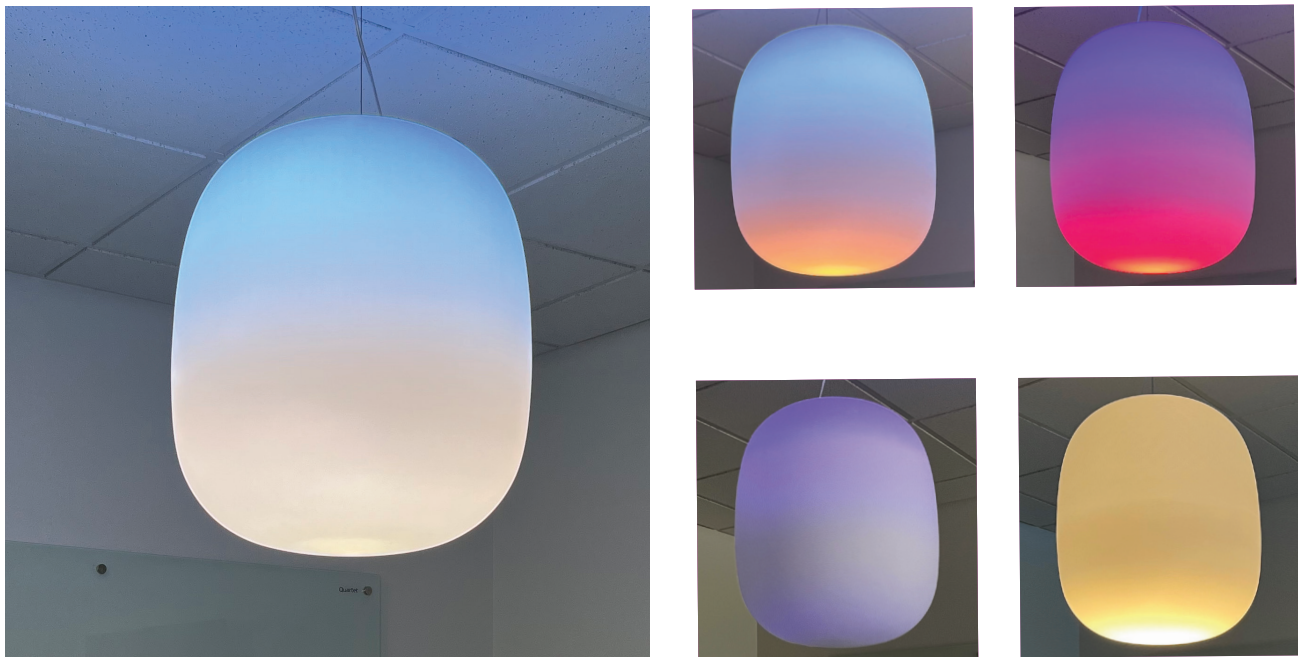


B I O S
S K Y V I E W™
P E N D A N T
B Y S E L U X

The unification of light and health



BIOS SkyView™ Pendant by Selux is the first wellness pendant lamp to merge lighting and health. Using patented BIOS SkyBlue™ circadian technology, the pendant light cycles through different modes that will provide you with daytime energy and restful nights.

BIOS SkyView™ Pendant by Selux is unsurpassed in design for achieving optimal absorption of circadian-stimulating 490nm wavelengths. As your viewing angle changes, so does the shape and surface area that emit the varying hues - all while maintaining the beautiful curved figure.

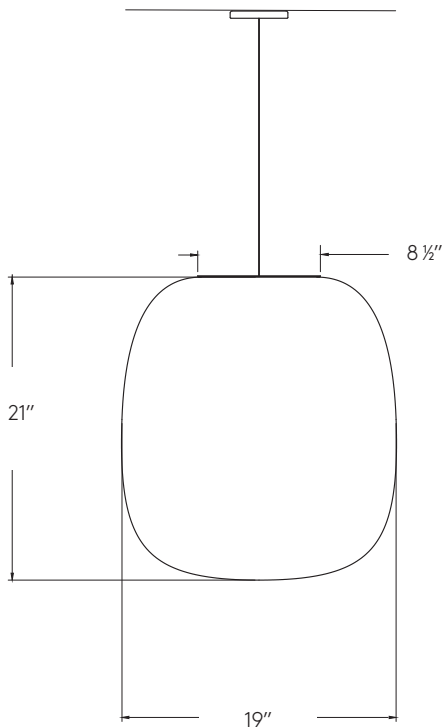
The benefits include strengthening natural circadian rhythms, increasing alertness, enhancing productivity, improving mood, developing a better night sleep, and other biological benefits. BIOS SkyView™ Pendant by Selux is best suited for use in hospitals, offices, libraries, museums, schools, spas, and high-end residential spaces.

BIOS SKYVIEW™ PENDANT BY SELUX

Mounting	Pendant · Table Lamp
Construction	Hand blown glass optic · Machined aluminum components
Light Engine	BIOS SkyBlue™ LED technology · 6,000lm @ 100W · 60lm/W * preliminary values - final measurements will be done at product launch
Controls	0-10V dimming · Mobile app features allow for personalization of the lighting effects
Healthy Lighting	Daytime Melanopic Ratio of 1.5 · Meets WELL Building Standard™ Circadian Lighting Feature criteria with standard use



Approximate Fixture Weight: 17.5lb



For details and specification sheet, scan QR code.

In a continuing effort to offer the best product possible, we reserve the right to change, without notice, specifications or materials that in our opinion will not alter the function of the product. Specification sheets found at www.selux.us are the most recent versions and supercede all other printed or electronic versions.