

Date: \_\_\_\_\_ Customer: \_\_\_\_\_  
 Project: \_\_\_\_\_  
 Type: \_\_\_\_\_ Qty: \_\_\_\_\_

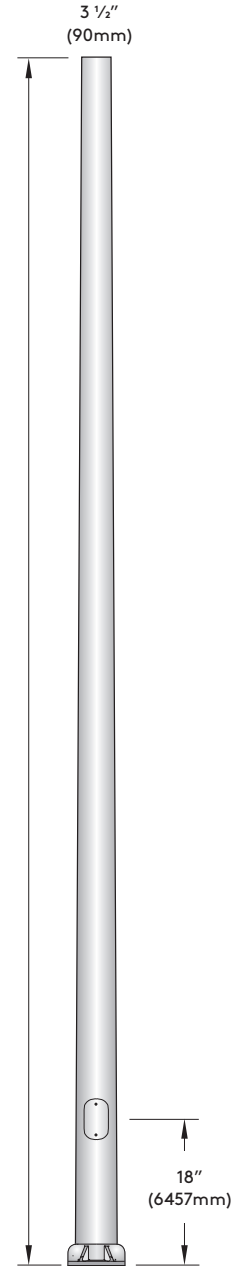


## AT635 6"-3 1/2" Round Tapered Aluminum Pole

Order Code: AT635 - \_\_\_\_\_ - \_\_\_\_\_ - \_\_\_\_\_

<u>AT635</u>	<b>Series</b>	<b>AT635</b> 6"-3 1/2" Round Tapered Aluminum Pole					
	<b>Height</b>	<b>12</b> 12'	<b>14</b> 14'	<b>16</b> 16'	<b>18</b> 18'	<b>20</b> 20'	<b>25</b> 25'
	<b>Finish</b>	<b>WH</b> White	<b>BK</b> Black	<b>BL</b> Semi-Matte Black	<b>BZ</b> Bronze	<b>SV</b> Silver	<b>SP</b> Specify Premium Color
	<b>Options</b>	<b>BC9</b> Decorative Cast Aluminum Base Cover	<b>REC</b> GFCI Receptacle with weather- proof cover	<b>REC2</b> GFCI Recep- tacle with padlockable in-use cover	<b>REC3</b> USB and Duplex Receptacle with weatherproof cover	<b>REC4</b> USB and Duplex Receptacle with weatherproof padlockable in-use cover	

Height 12'



Height	Wall Thickness	EPA Information (ft <sup>2</sup> )				
		70 mph	80 mph	90 mph	100 mph	110 mph
12	0.156	19.4	14.4	10.9	8.6	6.9
14	0.156	12.9	9.4	7.1	5.5	4.4
16	0.156	10.7	7.7	5.6	4.2	3.3
18	0.188	11.1	7.8	5.6	4.2	3.2
20	0.188	9.4	6.4	4.5	3.2	2.4
25	0.188	10.4	7.0	4.8	3.4	2.6

### Product Modifications

Please list modification requirements for review by factory:

### Approvals

Date:

### Specifications

**1. Pole Shaft** - Pole shaft is spun from seamless 6063 alloy aluminum which is heat treated to a T6 temper.

**2. Anchor Base** - Anchor base is cast from 356 alloy aluminum which is heat treated to a T6 temper. The anchor base casting and shaft are joined by a continuous circumferential weld at the outside top and inside bottom of the anchor base.

**3. Access Hole** - The opening measures 3" x 5" (76 x 127mm) with a cast 356 aluminum tempered to a T6 condition reinforced frame. Frame is supplied with integral ground lug connection located inside pole. Flush fitting cover is supplied with tamper resistant fasteners.

**4. Anchor Bolts** - Pole is supplied with four steel hot dip galvanized anchor bolts, ¾ x 17", each with two nuts and two flat washers.

**5. Nut Cover** - Poles come standard with cast aluminum nut covers.

**Exterior Luminaire Finish** - Selux utilizes a high quality Polyester Powder Coating. All Selux luminaires and poles are finished in our Tiger Drylac certified facility and undergo a five stage intensive pretreatment process where product is thoroughly cleaned, phosphated and sealed. Selux powder coated products provide excellent salt and humidity resistance as well as ultra violet resistance for color retention. All products are tested in accordance with test specifications for coatings from ASTM and PCI.

Standard exterior colors are White (WH), Black (BK), Bronze (BZ), and Silver (SV). Selux premium colors (SP) are available, please specify from your Selux color selection guide.

All Poles are constructed per AASHTO standards for structural supports for highway signs, luminaires and traffic signals as published in 1994 or 2001.

A consideration of field conditions such as (but not limited to) wind zone, height, vibration must be given by the designer/specifier for the appropriate application.

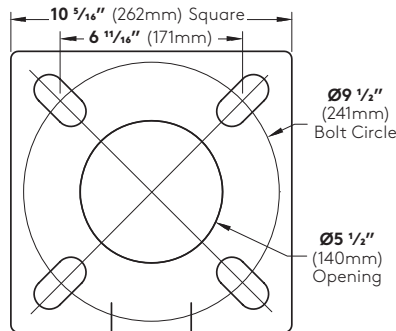
Performance of poles is dependent upon proper support/attach-ment of pole to adequate foundation design. Selux does not design or offer recommendations for foundations. EPA values assume that the bottom of the pole is at grade level.

Call Selux (1-800-SELUXCS) if there are any questions, or for any assistance in determining suitability with appropriate fix-tures.

### Mounting Details

#### Bolt Circle

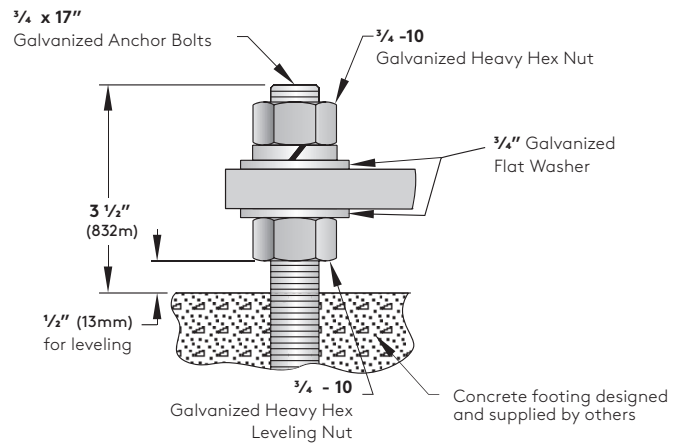
Use caution when setting anchor bolts. Bolts must be vertically straight and centered on dimensions shown.



Hand Hole Location

Note: Adequate drainage must be provided in concrete foundation or grout.

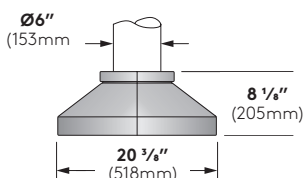
#### Anchor Bolt Detail



### Anchor Bolts

#### BC9 Optional Base Cover

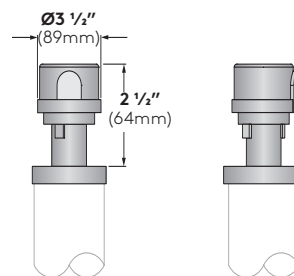
Die- cast aluminum, two-piece field installable base cover.



### Optional Accessories

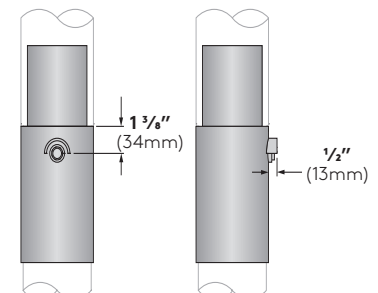
#### Photo Cell (PCT)

Twist-lock photocell mounted to aluminum cap which attaches to pole top or can be remotely located. Can be oriented for optimum performance. Refer to fixture spec sheet to determine if this option is applicable.



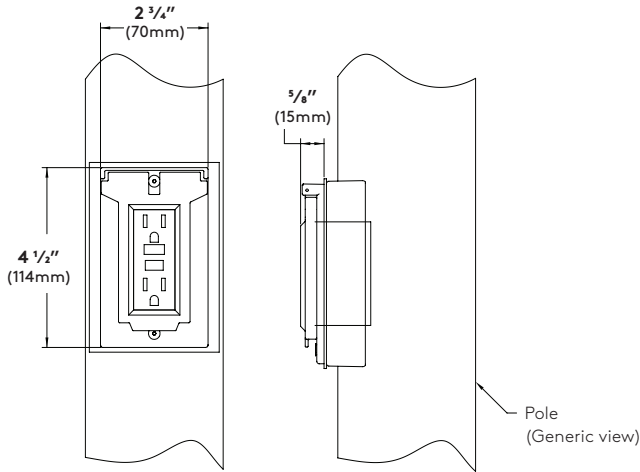
#### Photo Cell Tenon (PCT)

Button type photocell mounted in cast aluminum pole top tenon. Tenon has integral cast visor to prevent false start/stop cycle and can be oriented for optimum performance. Refer to fixture spec sheet to determine if this option is applicable.



Optional Accessories

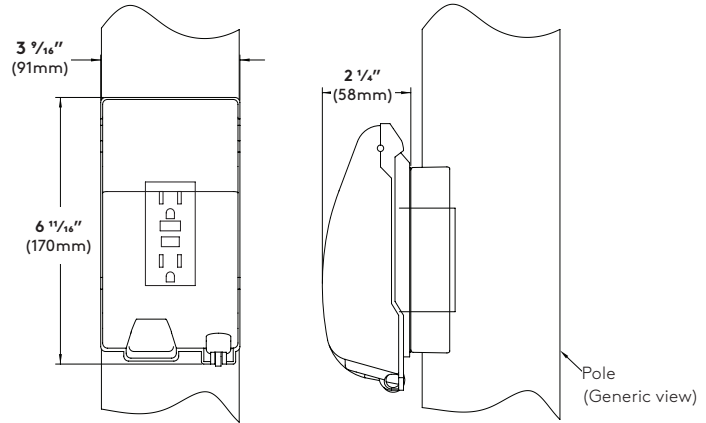
**GFCI Receptacle (REC)** - 120V 15A GFCI duplex receptacle with weather-proof, self-closing, non-lockable cover; located 36" (915mm) from base of pole, inline with handhole. Receptacle is intended only for portable tools or other portable equipment to be connected to outlet only when attended by operating personnel. For use with 120V applications only. For use with luminaires with other than 120V rating, please consult factory for wire segregation.



**USB & Duplex Receptacle (REC3)** (not shown) - 120V 15A duplex receptacle with USB combination ports. (1) type A and (1) type C high power 5 Amp, 5 Volt USB outlets. With weather-proof, self-closing cover; located 36" (915mm) from base of pole, inline with handhole. Receptacle is intended only for portable tools or other portable equipment to be connected to outlet only when attended by operating personnel.

Note: Must be used in conjunction with GFCI breaker by others

**GFCI Receptacle (REC2)** - 120V 15A GFCI duplex receptacle with weather-proof, self-closing, padlockable in-use cover; located 36" (915mm) from base of pole, inline with handhole. Receptacle is intended only for portable tools or other portable equipment to be connected to outlet only when attended by operating personnel. For use with 120V applications only. For use with luminaires with other than 120V rating, please consult factory for wire segregation.



**USB & Duplex Receptacle (REC4)** (not shown) - 120V 15A duplex receptacle with USB combination ports. (1) type A and (1) type C high power 5 Amp, 5 Volt USB outlets. With weather-proof, self-closing padlockable in-use cover; located 36" (915mm) from base of pole, inline with handhole. Receptacle is intended only for portable tools or other portable equipment to be connected to outlet only when attended by operating personnel.

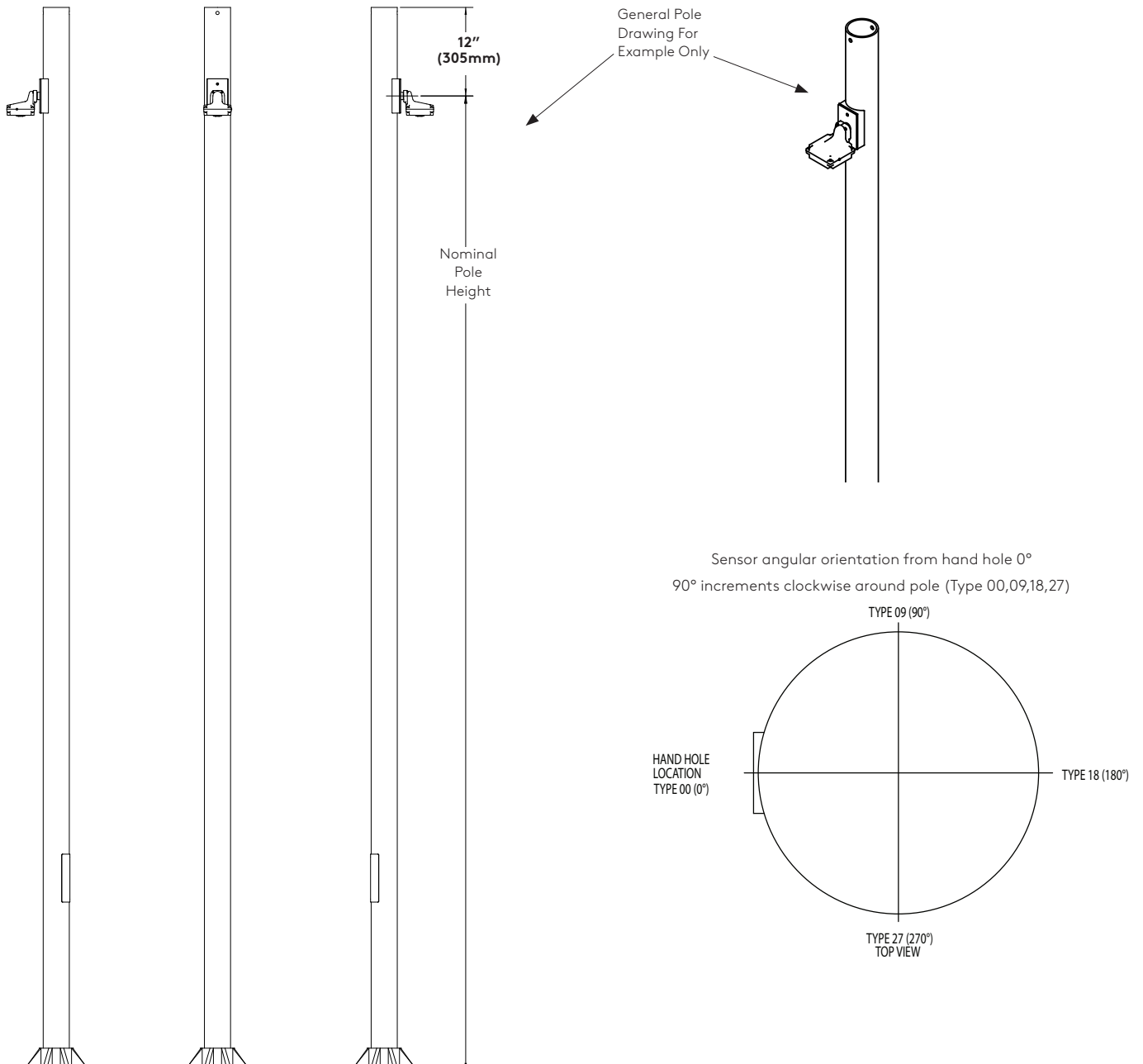
Note: Must be used in conjunction with GFCI breaker by others

**Motion Sensor Features**

The Selux outdoor rated sensor incorporates Passive Infrared (PIR) technology for motion sensing and also includes a built in photocell. Designed to mount directly through a 1/2" KO in a single gang faceplate on pole/column, the SBO utilizes 100% Digital Passive Infrared (PIR) technology that is tuned for walking size while preventing false tripping from the environment.

Series	Optics	Hand Hole Orientation	Program	Color	Photocell Feature	Voltage
MS Motion Sensor	1 270° coverage - Single Sensor	00	D0 (0V=0%)	WH White	Y Yes	UNV
		09	D1 (1V=10%)	BK Black	N No	347
		18	D3 (3V=30%)	BZ Bronze		480
		27	D5 (5V=50%)			

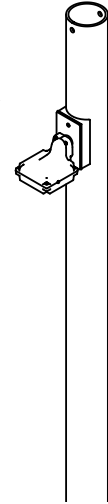
NOTE: Motion sensor comes programmed at 30% dimmed level with a 5 min. delay as default. All programming required after shipping by others.



**Motion Sensor Features**

- 100% Digital PIR Detection, excellent RF Immunity
- 270° coverage pattern
- Up to 30ft mounting
- IP66 Rated for outdoor applications
- Built-in 1kV surge protection
- No minimum load requirements
- Made for LED light source
- Interchangeable hot and load wires - impossible to wire backwards
- Adjustable time delays, max/min dim levels and ramp rates
- Programming button accessible without opening sensor or removing gaskets
- No field calibration or sensitivity adjustments required
- Non-volatile setting memory
- Convenient test mode
- Suitable for Title 24 applications

General Pole Drawing For Example Only



**Motion Sensor Wiring Diagram**

