

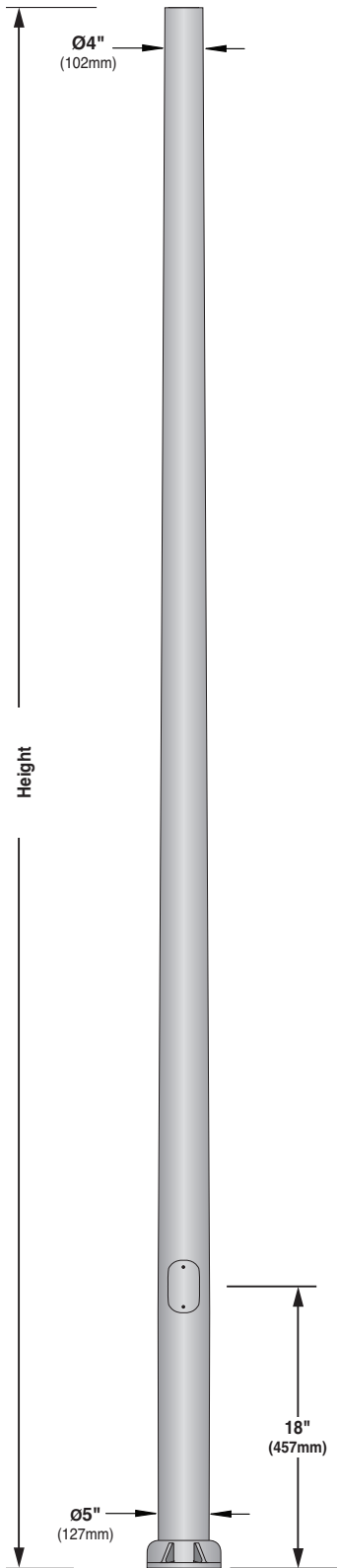
AT54 5" - 4" Round Tapered Aluminum Pole



Project: _____

Type: _____ **Qty:** _____

Ordering Format: AT54 - - - -
Series Height Finish Option



Pole Series	Height	Wall Thickness	EPA Information (ft ²)					Finish	Options
			70 mph	80 mph	90 mph	100 mph	110 mph		
AT54	12 12 ft.	0.156	18.5	13.7	10.5	8.4	6.8	WH White BK Black BZ Bronze SV Silver SP Specify Premium Color	BC3 Die Cast Base Cover REC GFCI Receptacle with weather-proof cover REC2 GFCI Receptacle with weather-proof padlockable in-use cover T30 Supplied with Ø3" Tenon, 4" high Motion Sensor w/ Optional Photocell (Meets Title 24 Requirements) See Pole Spec Sheet for Order Code. For PCT refer to spec sheets (where applicable). For other options please consult factory.
AT54	14 14 ft.	0.156	15.5	11.3	8.5	6.7	5.4		
AT54	16 16 ft.	0.156	12.6	9.0	6.7	5.2	4.1		
Other heights available, consult factory.			EPA Calculations allow for 1.3 Gust Factor						

Standard Specifications

Pole Shaft - Pole shaft is spun from seamless 6063 alloy aluminum which is heat treated to a T6 temper.

Anchor Base - Anchor base is cast from 356 alloy aluminum which is heat treated to a T6 temper. The anchor base casting and shaft are joined by a continuous circumferential weld at the outside top and inside bottom of the anchor base.

Access Hole - The opening measures 3" x 5" (76 x 127mm), with a cast 356 aluminum tempered to a T6 condition reinforced frame. Frame is supplied with integral ground lug connection located inside pole. Flush fitting cover is supplied with tamper resistant fasteners.

Anchor Bolts - Pole is supplied with four steel hot dip galvanized

anchor bolts, 3/4" x 17", each with two nuts, two flat washers and one lock washer.

Nut Cover - Poles come standard with cast aluminum nut covers.

Exterior Luminaire Finish - Selux utilizes a high quality Polyester Powder Coating. All Selux luminaires and poles are finished in our Tiger Drylac certified facility and undergo a five stage intensive pretreatment process where product is thoroughly cleaned, phosphated and sealed. Selux powder coated products provide excellent salt and humidity resistance as well as ultra violet resistance for color retention. All products are tested in accordance with test specifications for coatings from ASTM and PCI.

Standard exterior colors are White (WH), Black (BK), Bronze (BZ), and Silver (SV). Selux premium colors (SP) are available, please specify from your Selux color

selection guide. Hot Dip Galvanized finish (GV) on all steel parts also available.

All Poles are constructed per AASHTO standards for structural supports for highway signs, luminaires and traffic signals as published in 1994.

A consideration of field conditions such as (but not limited to) wind zone, height, vibration must be given by the designer/specifier for the appropriate application.

Performance of poles is dependent upon proper support/attachment of pole to adequate foundation design. Selux does not design or offer recommendations for foundations. EPA values assume that the bottom of the pole is at grade level.

Call Selux (1-800-SELUXCS) if there are any questions, or for any assistance in determining suitability with appropriate fixtures.

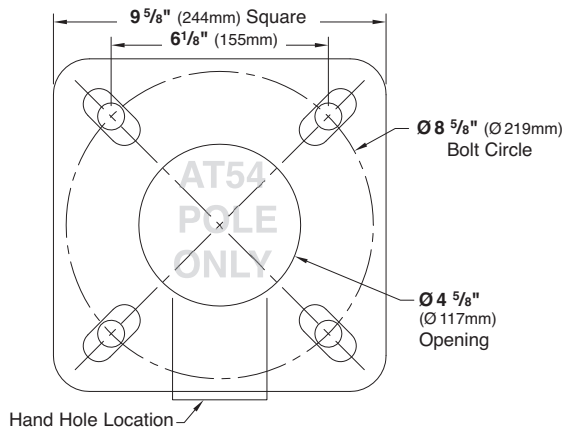
Selux Corp. © 2018
 TEL (845) 834-1400
 FAX (845) 834-1401
 www.selux.us
 A54-0118-01 (ss-v2.48)

Union Made Affiliated
 with IBEW Local 363

Made in the USA

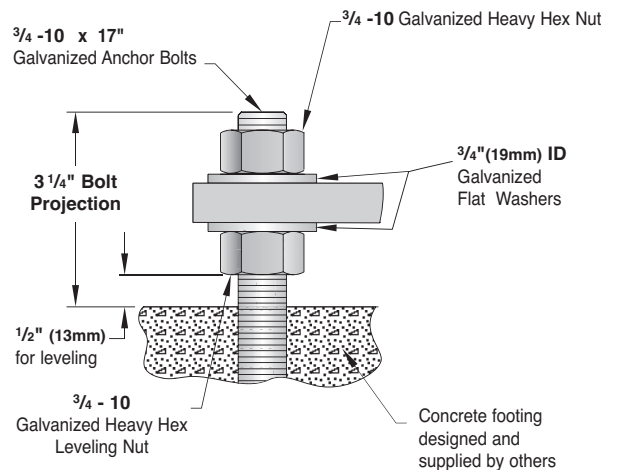
In a continuing effort to offer the best product possible, we reserve the right to change, without notice, specifications or materials that in our opinion will not alter the function of the product. Specification sheets found at www.selux.us are the most recent versions and supercede all other printed or electronic versions.

Bolt Circle



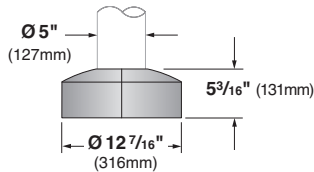
Note: Bolt Circle Detail not to scale. Use caution when setting anchor bolts. Bolts must be vertically straight and centered on dimensions shown. Adequate drainage must be provided in concrete foundation.

Anchor Bolt Detail



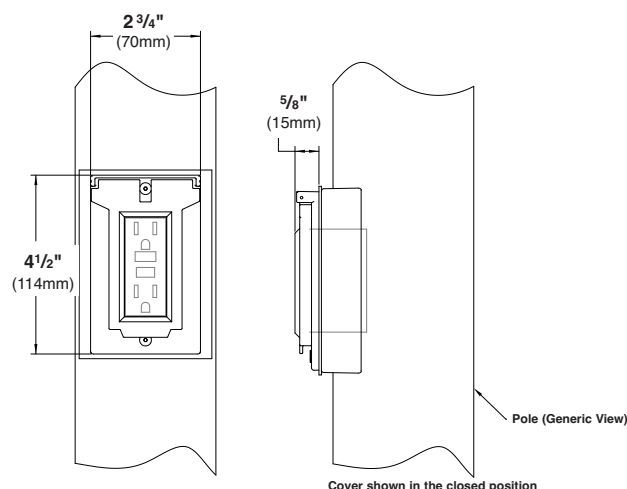
BC3 (AT54)

Die-cast aluminum, two-piece field installable base cover.

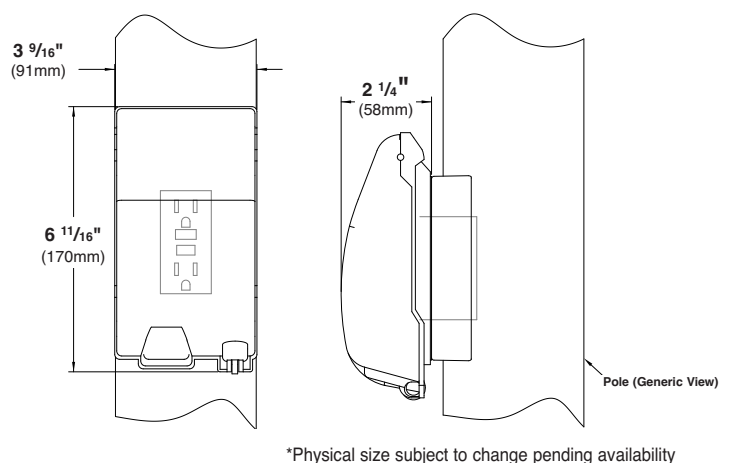


Optional Accessories

GFCI Receptacle with flat cover (REC) - 120V 15A GFCI duplex receptacle with weather-proof, self-closing non-lockable cover; located 36" (915mm) from base of pole, inline with handhole. Receptacle is intended only for portable tools or other portable equipment to be connected to outlet only when attended by operating personnel. For use with 120v applications only, for other fixture voltages, please consult factory for wire segregation requirements.



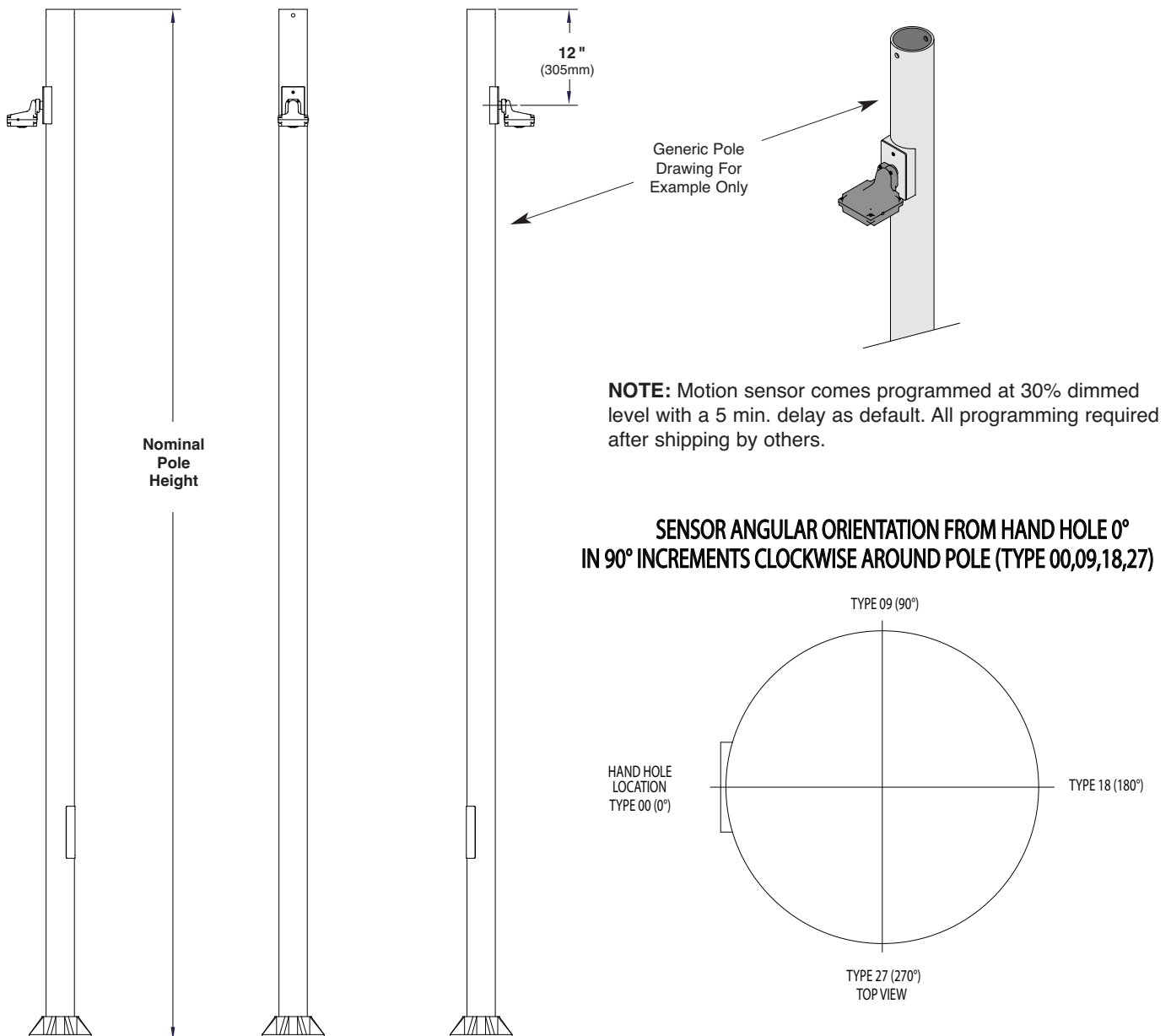
GFCI Receptacle with in-use cover (REC2) - 120V 15A GFCI duplex receptacle with weather-proof, self-closing padlockable in-use cover; located 36" (915mm) from base of pole, inline with handhole. Receptacle is intended only for portable tools or other portable equipment to be connected to outlet only when attended by operating personnel. For use with 120v applications only, for other fixture voltages, please consult factory for wire segregation requirements.



Motion Sensor

The Selux outdoor rated sensor incorporates Passive Infrared (PIR) technology for motion sensing and also includes a built in photocell. Designed to mount directly through a 1/2" KO in a single gang faceplate on pole/column, the SBO utilizes 100% Digital Passive Infrared (PIR) technology that is tuned for walking size while preventing false tripping from the environment.

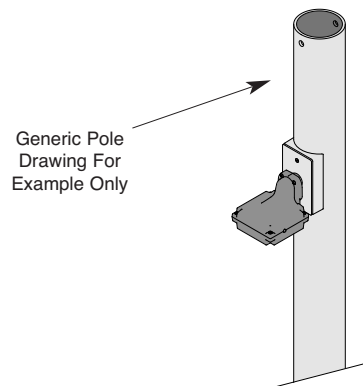
Series	Optics	Hand Hole Orientation	Program	Color	Photocell Feature	Voltage
MS Motion Sensor	1 270° coverage - Single Sensor	00	D0 0V=0%	WH White	Y Yes	UNV 347 480
		09	D1 1V=10%	BK Black	N No	
		18	D3 3V=30%	BZ Bronze		
		27	D5 5V=50%			
			Goes from dim level to full bright upon motion			



Motion Sensor Features

Features

- 100% Digital PIR Detection, excellent RF Immunity
- 270° coverage pattern
- Up to 30ft mounting
- IP66 Rated for outdoor applications
- Built-in 1kV surge protection
- No minimum load requirements
- Made for LED light source
- Interchangeable hot and load wires - impossible to wire backwards
- Adjustable time delays, max/min dim levels and ramp rates
- Programming button accessible without opening sensor or removing gaskets
- No field calibration or sensitivity adjustments required
- Non-volatile setting memory
- Convenient test mode
- Suitable for Title 24 applications



Wiring Diagram

