

Date: _____ Customer: _____
 Project: _____
 Type: _____ Qty: _____



Astro 1 & 2



AST 1



AST 2

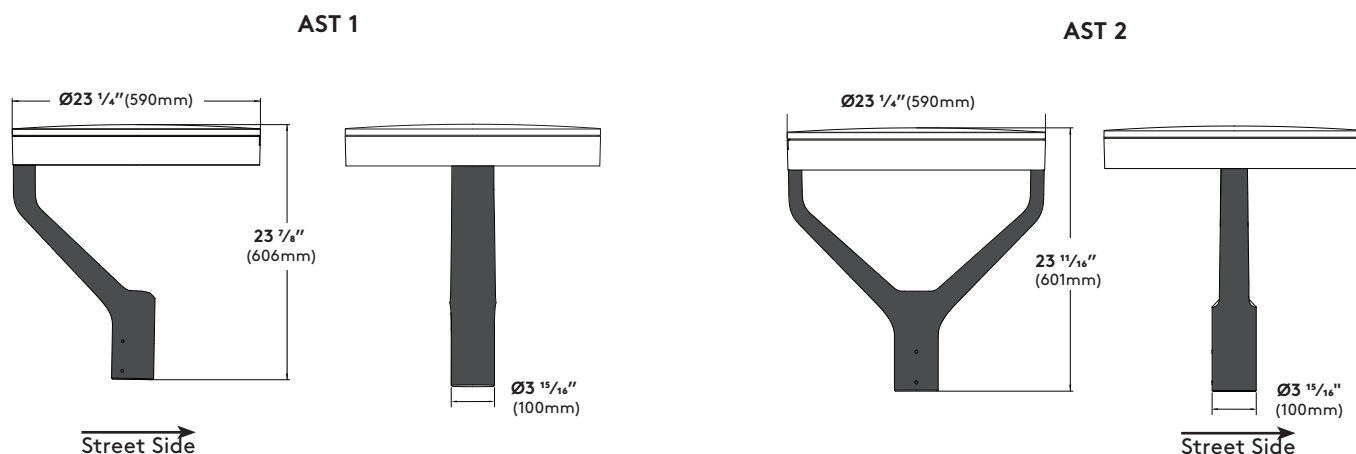
Order Code: _____

Pole Order Code: _____ T30

	Series	Height	Finish	Options				
Series	AST1 Astro 1	AST2 Astro 2						
Optics	R1 Type I Distribution	R2 Type II Distribution	R3 Type III Distribution	R5 Type V Distribution	Gen5 Type I,II,III,IV, V Round + V Square (consult factory)			
Mounting	1 Single	1A Single Arm Mount	2 Double Arm Mount	W Wall Mount				
Light Engine	LG4500 500 mA/50W	LG4700 700 mA/65W	LG4105 1050 mA/102W					
CCT	30 3000K	40 4000K	50 5000K		For other CCT please consult factory			
Power Cord Length	8 ^{1,2} 8'	10 ^{1,2} 10'	12 ^{1,2} 12'	14 ^{1,2} 14'	16 ^{1,2} 16'	18 ^{1,2} 18'	XX ^{1,2} XX'	¹ For 1 mounting use the pole height +2' ² For 1A or 2 mounting use the pole height +4'
Finish	WH White	BK Black	BL Semi-Matte Black	BZ Bronze	SV Silver	SP Specify Premium Color		
Voltage	120	208	240	277	347 ^{*,3}	480 ^{*,3}		² Not available with HLxx option ³ Equipped with step-down transformer ⁴ Wattage increases to light engines as such: 55W, 75W and 115W
Options	FS ⁴ Single Fusing	PC Twist Lock Photocell	DM ^{7,8} Dimming (0-10V)	DMY ⁵ Dimming (Dynadim) See page 8 for details	HLxx ^{6,7,8} Hi-Lo Switching See page 5 for details	ROR ⁴ Rotate Optics Right (90°)	ROL ⁴ Rotate Optics Left (90°)	⁴ AST 1 only ⁵ LG4500, LG4700 only ⁶ 120V, 240V, 277V only ⁷ LG4700, LG4105 only ⁸ HL or DM ⁹ See page 8 for details
	HS ⁹ House Side Shield (180°) (consult factory)	Motion Sensor w/ Optional Photocell (Meets Title 24 Requirements) See Pole Spec Sheet for order code						



AST1/AST2-XX



Specifications

Luminaire Cover - Die cast aluminum cover made from low copper alloy, designed to ensure optimal thermal management for extra long life of LED light engine.

Gasketing - (not shown) Continuous gasket provides weatherproofing, dust and insect control at all fixture connections.

LED Array - (not shown) High flux LEDs mounted to PC boards and attached to aluminum heat sink for maximum LED performance and life. CCT tolerance 1/4 step binning for 3000K, 3500K and 4000K and ANSI standard for 5000K. CRI minimum 80 for 3000K, 3500K and 4000K and typical 80 for 5000K. Complete light engine can be removed easily for future upgrade. LED light engine provides a reported lumen maintenance of 93% at 50,000 hours. L70 calculated greater than 100,000 hours.

LED Driver - LEDs are driven by RoHS compliant high-efficiency driver. Excellent for cold temperature starting and instant on. Standard driver for DMY option is Philips Xitanium Driver.

Arm/Arms - Cast aluminum arm/arms support upper housing and optic assembly with built in pole fitter (shown painted matte black for DS option).

Pole Fitter - Self-leveling, die-cast low-copper aluminum alloy, fitter base secured to pole with six, stainless steel, Allen head set screws. Fitter for 3" (76mm) O.D. poles.

Surge Protector - (not shown) Designed to protect luminaire from electrical surge (10kA).

Hi-Lo Switching Option - (not shown) Please see p. 5 for details.

Power Cord - (not shown) Pre-installed at factory. Please specify power cord length in accordance to height of the pole. Add two (2) feet to power cord length for single mount and four (4) feet for double arm mount.

Exterior Luminaire Finish - Selux utilizes a high quality Polyester Powder Coating. All Selux luminaires and poles are finished in our Tiger Drylac certified facility and undergo a five stage intensive pretreatment process where product is thoroughly cleaned, phosphated and sealed. Selux powder coated products provide excellent salt and humidity resistance as well as ultraviolet resistance for color retention. All products are tested in accordance with test specifications for coatings from ASTM and PCI. Standard exterior colors are White (WH), Black (BK), Semi-Matte Black (BL), Bronze (BZ), and Silver (SV). Selux premium colors (SP) are available, please specify from your Selux color selection guide.

5 Year Limited LED Luminaire Warranty -

Selux offers a 5 Year Limited Warranty to the original purchaser that the Saturn Cutoff LED luminaire shall be free from defects in material and workmanship for up to five (5) years from date of shipment. This limited warranty covers the LED driver and LED array when installed and operated according to Selux instructions. For details, see "Selux Terms and Condition of Sale."

Listings and Ratings: Luminaire and LED tested to IP66 and IESNA LM-79-08 standards. LED tested to LM-80 standards. Luminaire and LED tested at 25°C ambient temperature.

For LG4500 and LG4700, luminaire suitable for ambient temperatures of 40°C (104°F). For LG4105, luminaire suitable for ambient temperature of 35°C (95°F). Minimum operating temperature of luminaire at -35°C (-31°F).

NRTL Listed (i.e. UL, CSA)

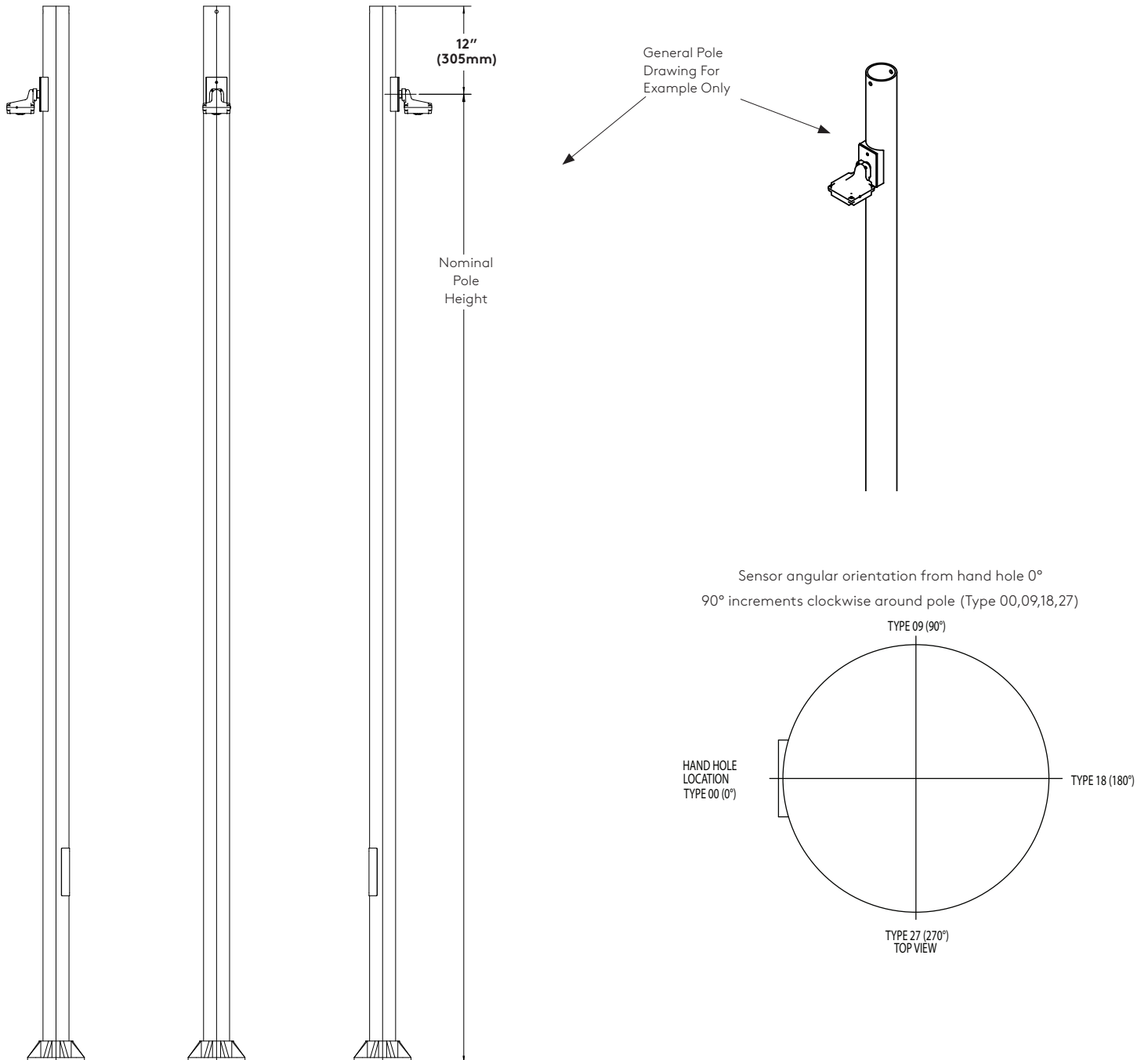
Visit selux.us for our LED End of Life recycling policy.

Motion Sensor Features

The Selux outdoor rated sensor incorporates Passive Infrared (PIR) technology for motion sensing and also includes a built in photocell. Designed to mount directly through a 1/2" KO in a single gang faceplate on pole/column, the SBO utilizes 100% Digital Passive Infrared (PIR) technology that is tuned for walking size while preventing false tripping from the environment.

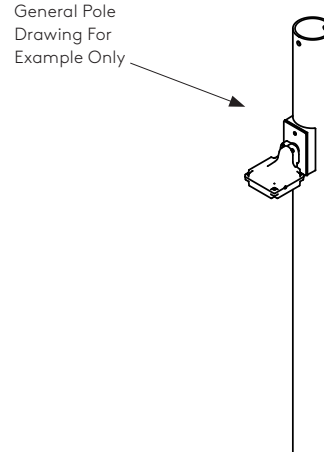
Series	Optics	Hand Hole Orientation	Program	Color	Photocell Feature	Voltage
MS Motion Sensor	1 270° coverage - Single Sensor	00	D0 (0V=0%)	WH White	Y Yes	UNV
		09	D1 (1V=10%)	BK Black	N No	347
		18	D3 (3V=30%)	BZ Bronze		480
		27	D5 (5V=50%)			

NOTE: Motion sensor comes programmed at 30% dimmed level with a 5 minute delay as default. All programming required after shipping by others.

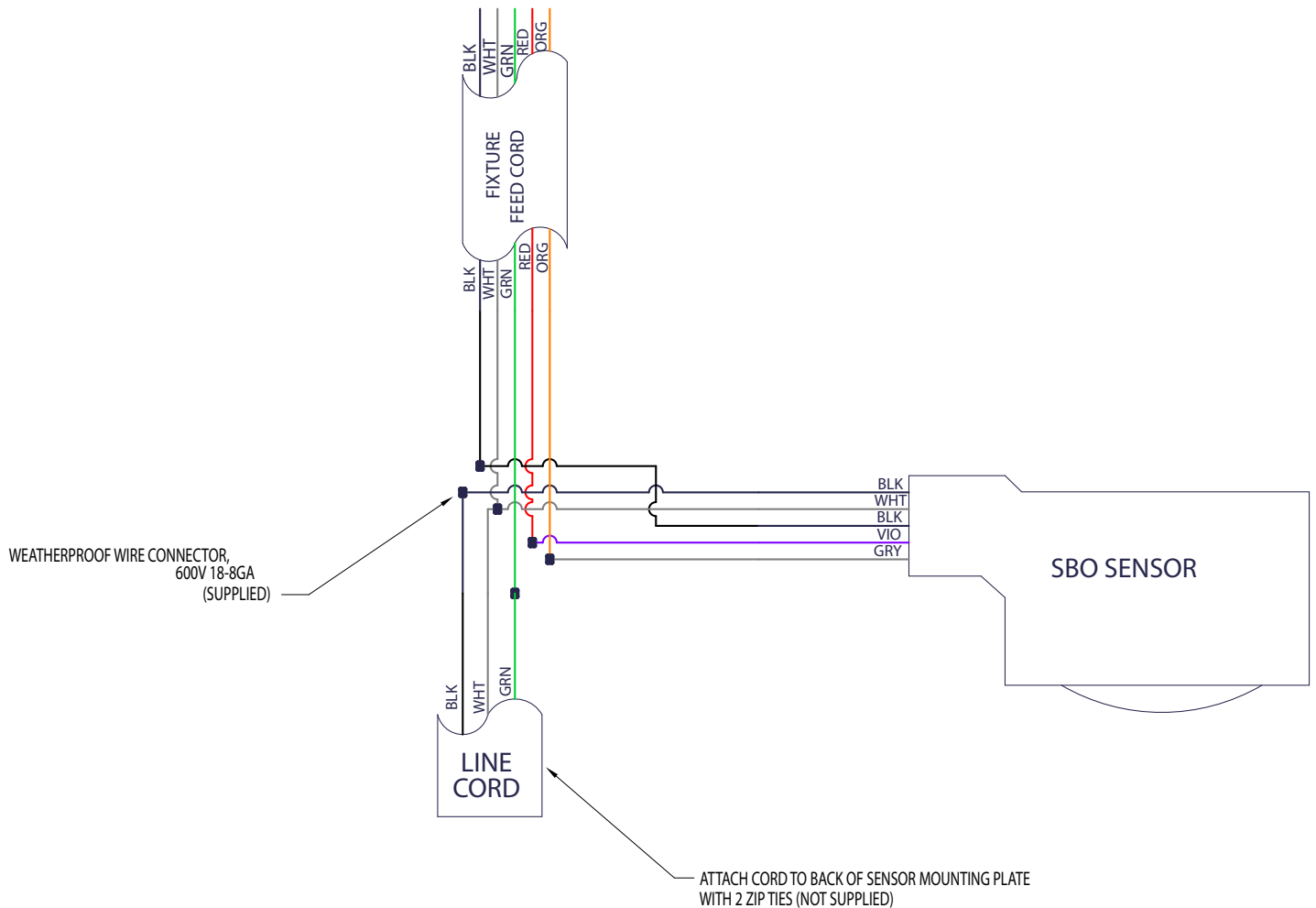


Motion Sensor Features

- 100% Digital PIR Detection, excellent RF Immunity
- 270° coverage pattern
- Up to 30ft mounting
- IP66 Rated for outdoor applications
- Built-in 1kV surge protection
- No minimum load requirements
- Made for LED light source
- Interchangeable hot and load wires - impossible to wire backwards
- Adjustable time delays, max/min dim levels and ramp rates
- Programming button accessible without opening sensor or removing gaskets
- No field calibration or sensitivity adjustments required
- Non-volatile setting memory
- Convenient test mode
- Suitable for Title 24 applications



Motion Sensor Wiring



Mounting

Single (1)

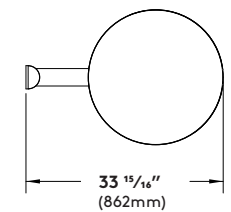
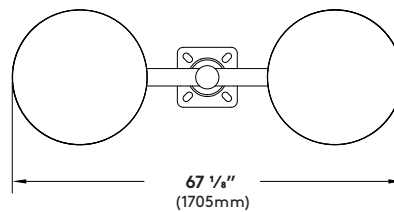
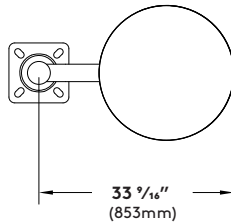
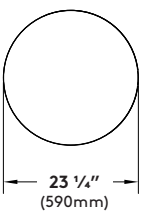
Die cast aluminum fitter base secured to pole with three stainless steel, Allen head set screws.

AST 1

Single Head (1)
EPA = 3.5ft² (0.33m²)
Weight = 39lbs. (17.7kg)

AST 2

Single Head (1)
EPA = 3.5ft² (0.33m²)
Weight = 43lbs. (19.5kg)



Single Arm Mount (1A)

Die cast aluminum single luminaire mounting arm secured to pole with four stainless steel, Allen head set screws. Outer slip fitter for 3" O.D. tenon.

AST 1

Single Arm (1A)
EPA = 3.6ft² (0.33m²)
Weight = 48lbs. (21.8kg)

AST 2

Single Arm (1A)
EPA = 3.6ft² (0.33m²)
Weight = 52lbs. (23.6kg)

Double Arm Mount (2)

Die cast aluminum double luminaire mounting arm secured to pole with four stainless steel, Allen head set screws. Outer slip fitter for 3" O.D. tenon.

AST 1

Double Head (2)
EPA = 7.3ft² (0.68m²)
Weight = 92lbs. (41.7kg)

AST 2

Double Head (2)
EPA = 7.3ft² (0.68m²)
Weight = 100lbs. (45.4kg)

Wall (W)

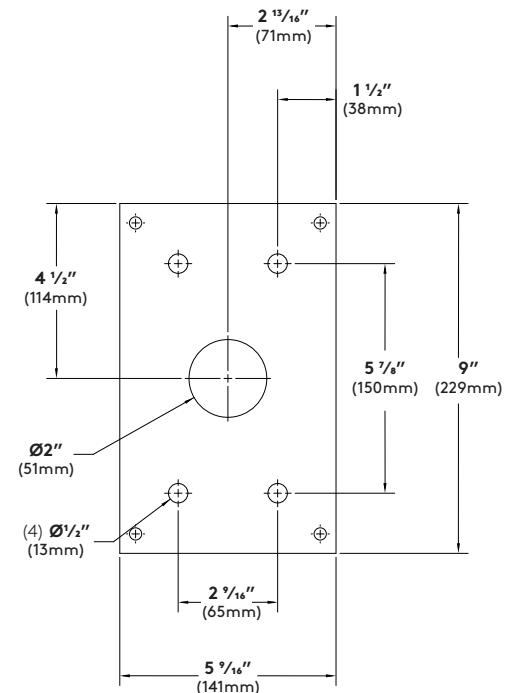
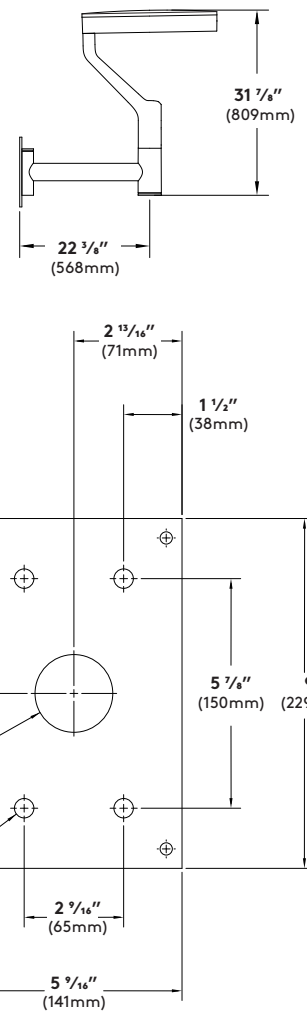
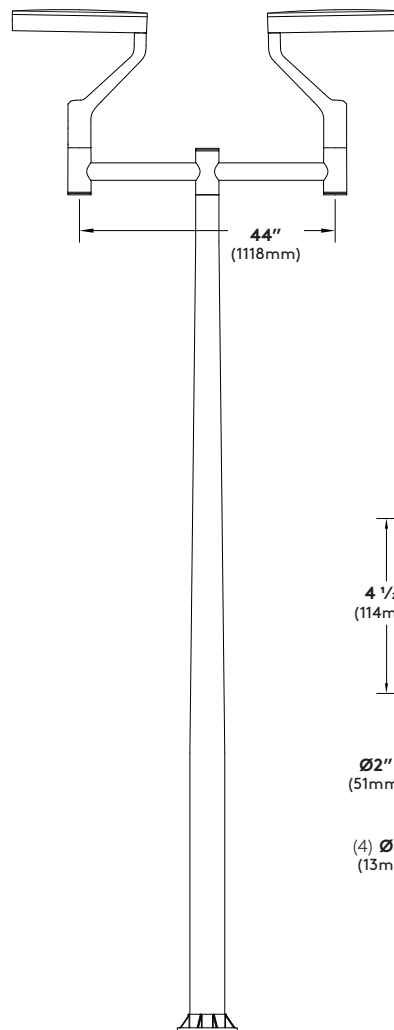
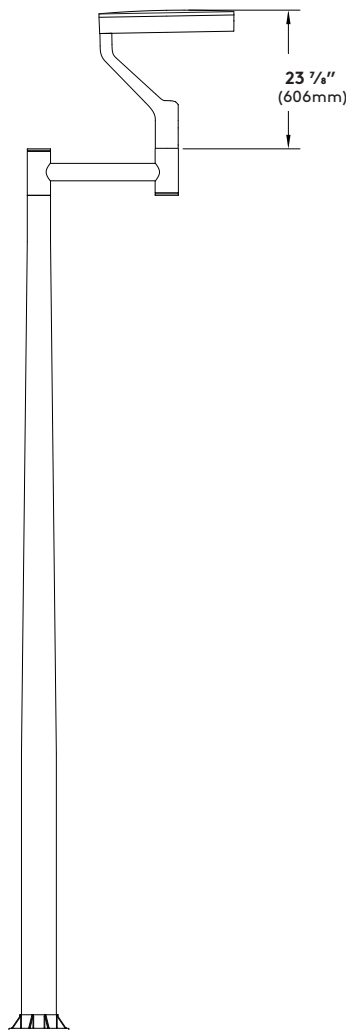
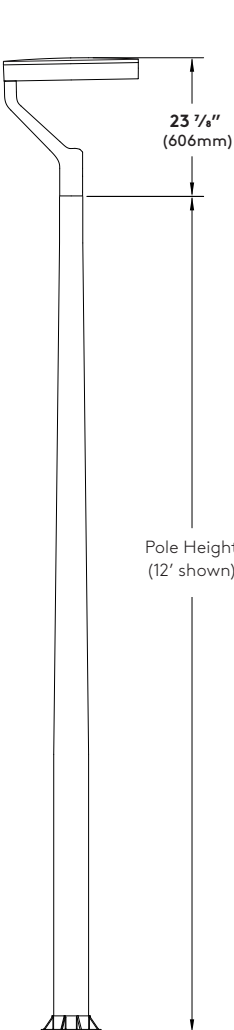
Die cast aluminum double round wall mount arm. Secured to wall with 3/8" diameter threaded fasteners (by others).

AST 1

Wall
EPA = 3.7ft² (0.34m²)
Weight = 48lbs. (21.8kg)

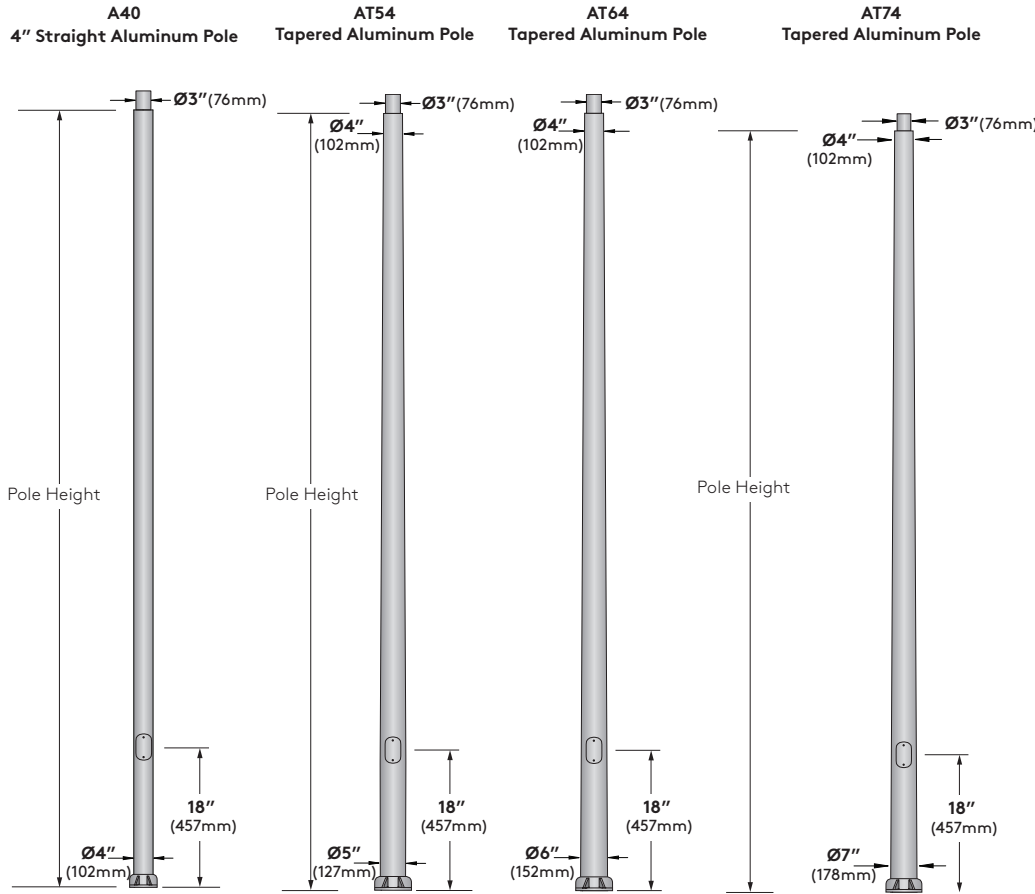
AST 2

Wall
EPA = 3.7ft² (0.34m²)
Weight = 52lbs. (23.6kg)



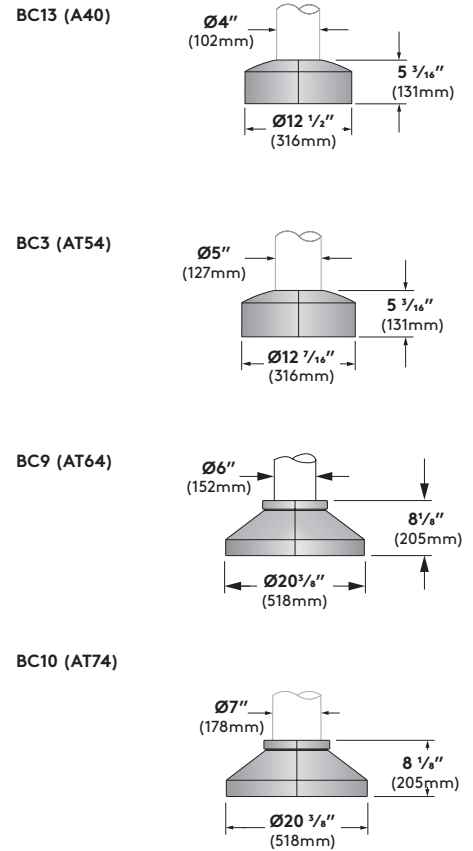
Pole Information

Refer to pole specification sheets for construction details, anchorage information and additional options.



Optional Base Covers for Poles

Die cast aluminum, two-piece field installable base covers.



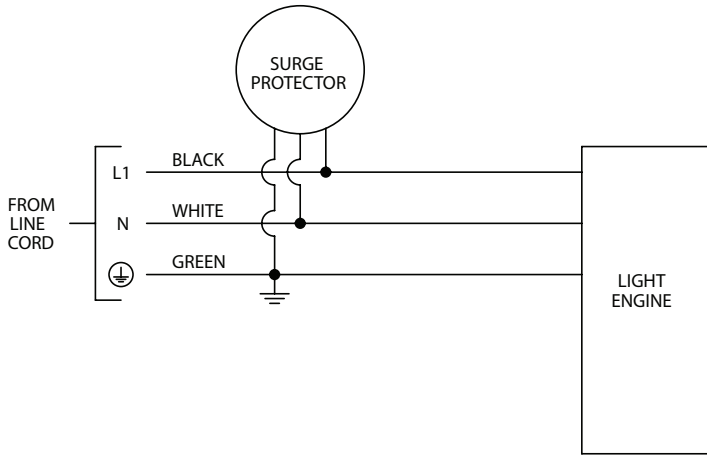
Pole Data Chart

Pole Series	Bolt Circle	EPA Information (ft ²)					Height	Finish	Options
		70mph	80mph	90mph	100mph	110mph			
A40 4" Diameter Straight Aluminum Pole	Ø7 1/2"	6.2	4.3	3.0	2.2	1.7	12 12 ft.	WH White BK Black BL Semi-Matte Black BZ Bronze SV Silver SP Specify Premium Color	BC3 Die Cast Base Cover (AT54 pole only)
A40 4" Diameter Straight Aluminum Pole	Ø7 1/2"	4.6	3.0	1.9	1.2	0.9	14 14 ft.		BC9 Die Cast Base Cover (AT64 pole only)
AT54 5" to 4" Diameter Tapered Aluminum Pole	Ø8 5/8"	18.5	13.7	10.5	8.4	6.8	12 12 ft.		BC10 Die Cast Base Cover (AT74 pole only)
AT54 5" to 4" Diameter Tapered Aluminum Pole	Ø8 5/8"	15.5	11.3	8.5	6.7	5.4	14 14 ft.		BC13 Die Cast Base Cover (A40 pole only)
AT54 5" to 4" Diameter Tapered Aluminum Pole	Ø8 5/8"	12.6	9.0	6.7	5.2	4.1	16 16 ft.		REC GFCI Receptacle with weather-proof cover*
AT64 6" to 4" Diameter Tapered Aluminum Pole	Ø9 1/2"	20	20	16.3	13.1	10.7	12 12 ft.		REC2 GFCI Receptacle with padlockable in-use cover*
AT64 6" to 4" Diameter Tapered Aluminum Pole	Ø9 1/2"	20	17.7	13.7	10.9	8.9	14 14 ft.		REC3 USB & Duplex Receptacle with weatherproof cover
AT64 6" to 4" Diameter Tapered Aluminum Pole	Ø9 1/2"	19	14.1	10.8	8.6	7.0	16 16 ft.		REC4 USB & Duplex Receptacle with weatherproof padlockable in-use cover
AT74 7" to 4" Tapered Aluminum Pole	Ø10 9/16"	20	17.7	13.7	10.9	8.8	18 18 ft.		MS Motion Sensor w/ optional Photocell (Meets Title 24 Requirements)
AT74 7" to 4" Tapered Aluminum Pole	Ø10 9/16"	20	14.9	11.4	9.0	7.3	20 20 ft.		T30 3" Tenon required for all poles
AT74 7" to 4" Tapered Aluminum Pole	Ø10 9/16"	14.8	10.5	7.8	6.0	4.7	24 24 ft.	*Weatherproof cover intended for portable tools or other portable equipment connected to the outlet only when attended. For other requirements please consult factory.	

Allowable EPA calculated according to AASHTO 1994 and include allowance for 1/3 gust factor. See Mounting Configuration pages for fixture arm weight and EPA values.

Wiring

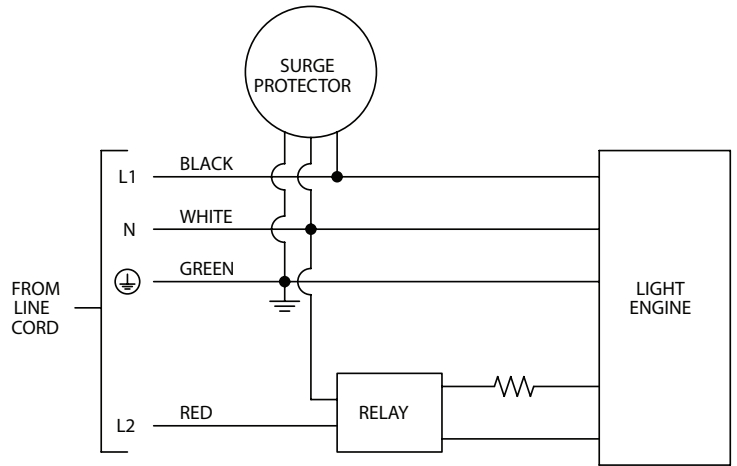
Standard Single Wiring



Hi-Lo Switching Option (HL) Wiring

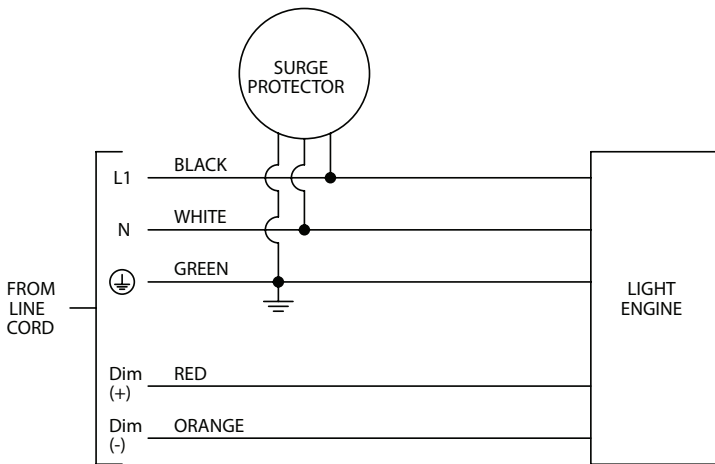
LG4700 and LG4105, 120V, 240V, 277V. When red is energized, light output will be at "Lo" level. Specify low level by using one of the 3 levels listed below (i.e. HL70, HL50 and HL33). For other combinations, consult factory.

	Standard HL levels	LG4105	LG4700
HL70 = low output	70%	X	X
HL50 = low output	50%	X	X
HL33 = low output	33%	X	X

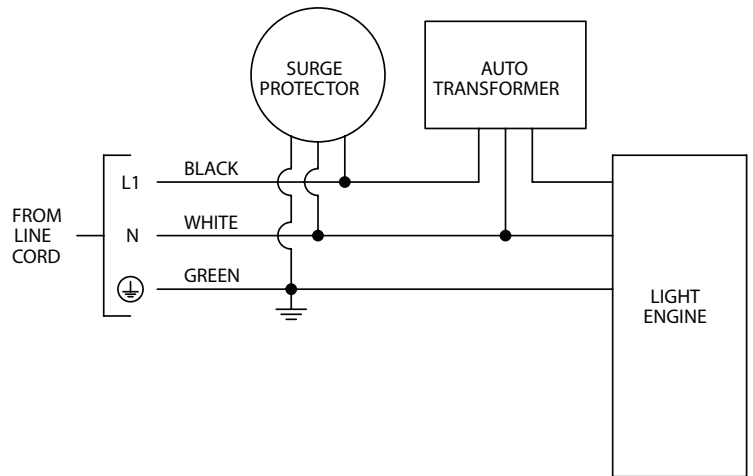


0-10V Dimming Option (DM) Wiring and Dynadim (DMY)

LG4700 and LG4105, 120-277V. (347V and 480V available with step-down transformer.



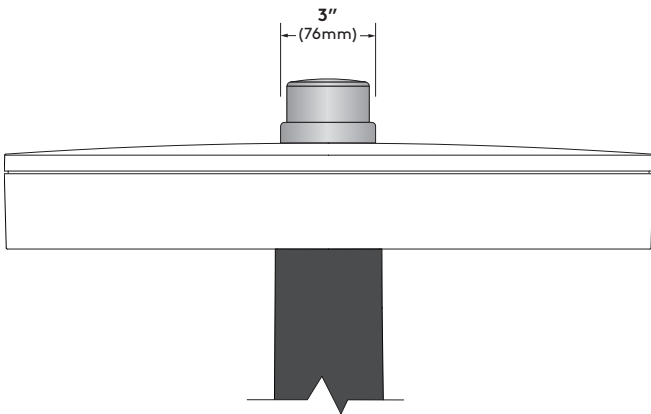
347/480 V



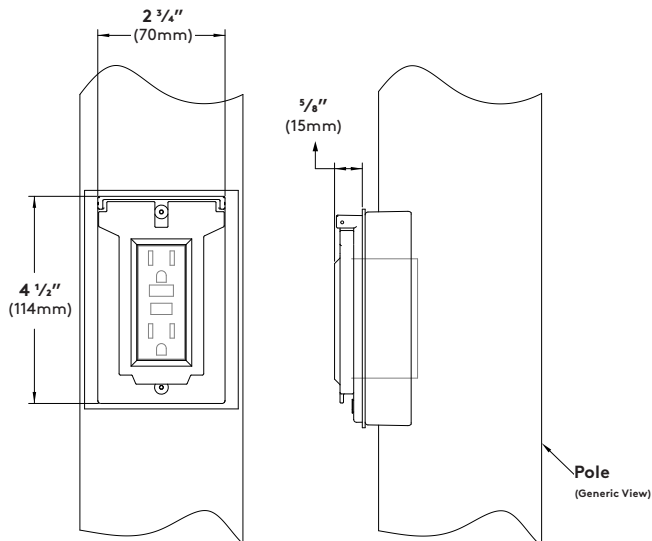
Optional Accessories

Dynadim (DMY) - Please refer to the Dynadim Option Form (includes a link to the Philips® Design-In Guide) on the Selux Astro product page under Additional Downloads.

House Side Shield (HS) - 180° external house shield reduces light levels to <0.1 FC at approximately one mounting height behind luminaire.



GFCI Receptacle (REC) - 120V 15A GFCI duplex receptacle with weather-proof, self-closing cover; located 36" (915mm) from base of pole, inline with handhole. Receptacle is intended only for portable tools or other portable equipment to be connected to outlet only when attended by operating personnel. For use with 120V applications only. For use with luminaires with other than 120V rating, please consult factory for wire segregation.

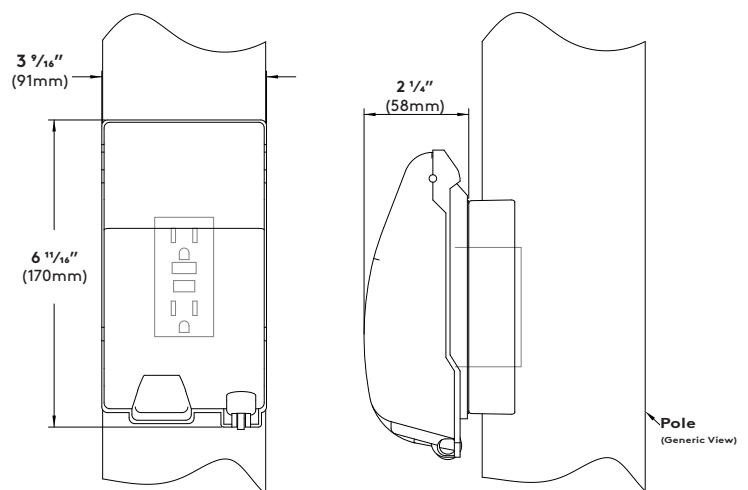


USB & Duplex Receptacle (REC3) (not shown)- 120V 15A duplex receptacle with USB combination ports. (1) type A and (1) type C high power 5 Amp, 5 Volt USB outlets. With weather-proof, self-closing cover; located 36" (915mm) from base of pole, inline with handhole. Receptacle is intended only for portable tools or other portable equipment to be connected to outlet only when attended by operating personnel.

Twist Lock Photocell (PC) - Twist lock photocell provides automated on/off function based on ambient light.

Single Fusing (FS) - Single inline fuse holder, shipped separately for infield installation behind hand hole (by others). Available up to 277V.

GFCI Receptacle (REC2) - 120V 15A GFCI duplex receptacle with weather-proof, self-closing, padlockable cover; located 36" (915mm) from base of pole, inline with handhole. Receptacle is intended only for portable tools or other portable equipment to be connected to outlet only when attended by operating personnel. For use with 120V applications only. For use with luminaires with other than 120V rating, please consult factory for wire segregation.



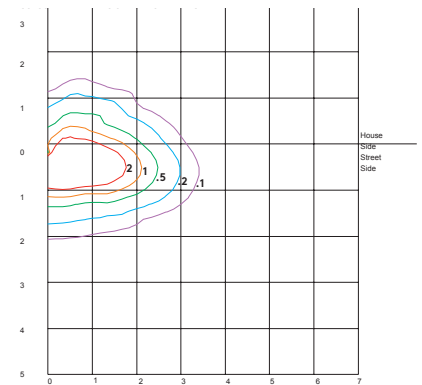
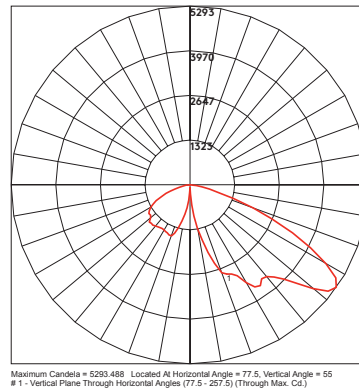
USB & Duplex Receptacle (REC4) (not shown)- 120V 15A duplex receptacle with USB combination ports. (1) type A and (1) type C high power 5 Amp, 5 Volt USB outlets. With weather-proof, self-closing padlockable in-use cover; located 36" (915mm) from base of pole, inline with handhole. Receptacle is intended only for portable tools or other portable equipment to be connected to outlet only when attended by operating personnel.

Conversion Chart Values based on 16' (4.9 m) mounting height	
Mounting Height	Multiply
12' (3.7 m)	1.16
14' (4.3 m)	1.07
16' (4.9 m)	1.00
18' (5.5 m)	0.94
20' (6.1 m)	0.89
24' (7.3 m)	0.81

LED Information	Neutral White (5000K), Type V (R5)		
	LG4500	LG4700	LG4105
Delivered Lumens (lm)	4,911	6,417	8,365
Wattage (W)	50	65	102
Efficacy (lm/W)	98	99	82

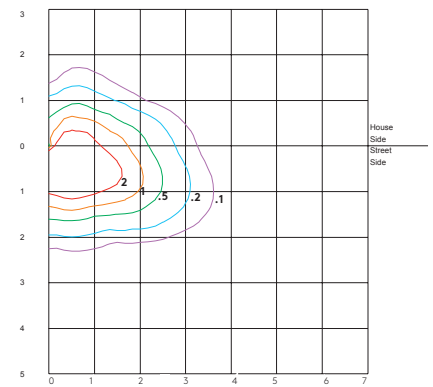
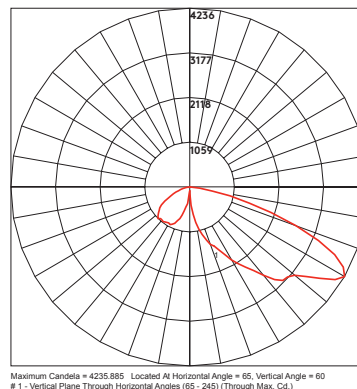
R1 Optics / 65W LED / 5000K CCT

Catalog #: ASTX-R1-X-LG4700-50-XX-UNV
 Delivered Lumens: 6057
 Input Watts: 65W
 Efficacy: 93 lm/W
 CRI: >80
 Maximum candela of 5293 at 55° from vertical.
 IES classification - Type I
 Mounting Height = 16' (4.9 m)
 B1-U0-G1
 Power Factor: .98
 Total Harmonic Distortion: .48%

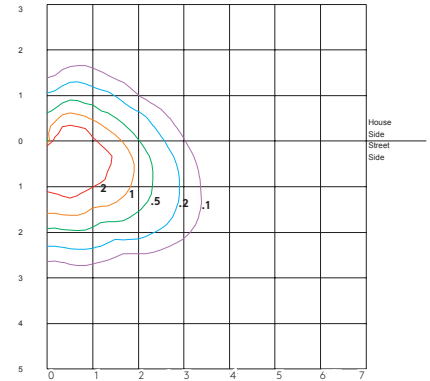
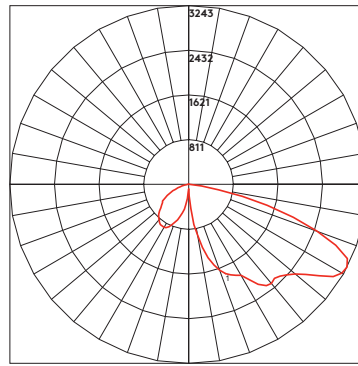


R2 Optics / 65W LED / 5000K CCT

Catalog #: ASTX-R2-X-LG4700-50-XX-UNV
 Delivered Lumens: 6086
 Input Watts: 65W
 Efficacy: 94 lm/W
 CRI: >80
 Maximum candela of 4236 at 60° from vertical.
 IES classification - Type II
 Mounting Height = 16' (4.9 m)
 B1-U0-G1
 Power Factor: .98
 Total Harmonic Distortion: .48%



R3 Optics / 65W LED / 5000K CCT
 Catalog #: ASTX-R3-X-LG4700-50-XX-UNV
 Delivered Lumens: 5835
 Input Watts: 65W
 Efficacy: 90 lm/W
 CRI: >80
 Maximum candela of 3243 at 62.5° from vertical.
 IES classification - Type III
 Mounting Height = 16' (4.9 m)
 B1-U0-G1
 Power Factor: .98
 Total Harmonic Distortion: .46%



R5 Optics / 65W LED / 5000K CCT
 Catalog #: ASTX-R5-X-LG4700-50-XX-UNV
 Delivered Lumens: 6417
 Input Watts: 65W
 Efficacy: 99 lm/W
 CRI: >80
 Maximum candela of 3076 at 65° from vertical.
 IES classification - Type V
 Mounting Height = 16' (4.9 m)
 B3-U0-G3
 Power Factor: .98
 Total Harmonic Distortion: .45%

