

Date: \_\_\_\_\_ Customer: \_\_\_\_\_  
 Project: \_\_\_\_\_  
 Type: \_\_\_\_\_ Qty: \_\_\_\_\_



## Arca LED



<b>Order Code:</b>	ACL - R2 - _____ - _____ - _____ - _____ - _____ - _____							
<b>Pole Order Code:</b>	Series	Height	Finish	HC Helicoil Pair	Options	*Helicoil Locations	* Refer to chart on page 4 and 7 for Helicoil locations and pole details	
ACL	Series	ACL Arca LED						
R2	Optics	R2 Type II Distribution	Gen5 Type I, II, III, IV, V Round + V Square (consult factory)					
	Mounting	S1 Single	S2 Double	SBX <sup>1</sup> Sistema Mount	W Wall Mount	<sup>1</sup> Max 4 heads (SB4) See page 4 for mounting configurations		
	Light Engine	L350 350 mA/19W	L500 500 mA/27W	L700 700 mA/37W	L900 900 mA/48W	L1050 1050 mA/56W		
	CCT	30 <sup>2</sup> 3000K	40 4000K					<sup>2</sup> IDA approved *For other CCT please consult factory
	Finish	WH White	BK Black	BL Semi-Matte Black	BZ Bronze	SV Silver	SP Specify Premium Color	
	Voltage	120	208	240	277	347 <sup>*</sup>	480 <sup>*</sup>  <sup>*</sup> Equipped with step down transformer	
	Options	DM Dimming (0-10V)	20KA 20KA Surge Suppression	PC <sup>3</sup> Photo Cell	HS <sup>9</sup> House Side Shield (180°) (consult factory)	<b>Motion Sensor w/ Optional Photocell</b> (Meets Title 24 Requirements) See Pole Spec Sheet for order code  <sup>3</sup> Only available with SBX mounting		

### Product Modifications

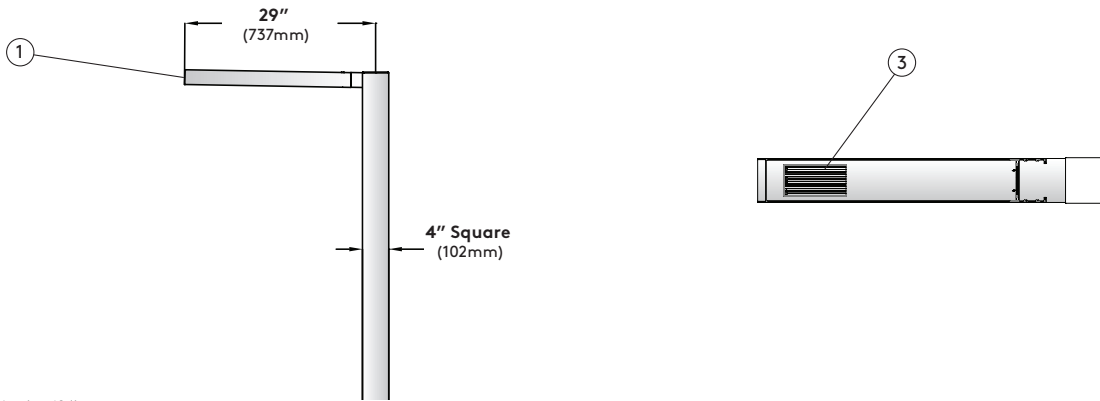
Please list modification requirements for review by factory:

### Approvals



Date: \_\_\_\_\_

**ACL-R2-S1**



Net Weight: 12 lbs.

**Specifications**

**1. Luminaire Cover** - Two piece high pressure die cast housing, made of low copper aluminum alloy. Toolless latch allows easy access to light engine & gear tray components.

**2. Gasketing** - (not shown) UV and ozone-resistant, silicone gasket between fixture housing and lens base provide IP66 level ingress protection. IP rated micro-membrane ensures pressure compensation.

**3. Lens** - PMMA linear structured lens.

**4. LED Light Engine** - (not shown) made from discrete aluminum reflectors. High flux LEDs available in 3000K, 4000K and 5000K, CRI minimum 80. Complete light engine can be removed easily for future upgrade. LED light engine provides a reported lumen maintenance of 93% at 36,000 hours. L70 calculated greater than 100,000 hours.

**5. LED Driver** - LEDs are driven by RoHS compliant high-efficiency driver. Excellent for cold temperature starting and instant on.

**6. Surge Protector** - (not shown) Designed to protect luminaire from electrical surge up to 10kA. Surge protection up to 20kA optional.

**7. Helicoil Inserts** - (2) Helicoil inserts required per luminaire. Installed by manufacturer.

**8. Power Cord** - (not shown) Pre-installed at factory. Power cords are specified to fit the length of the pole specified with the luminaire.

**Exterior Luminaire Finish** - Selux utilizes a high quality Polyester Powder Coating. All Selux luminaires and poles are finished in our Tiger Drylac certified facility and undergo a five stage intensive pretreatment process where product is thoroughly cleaned, phosphated and sealed. Selux powder coated products provide excellent salt and humidity resistance as well as ultraviolet resistance for color retention. All products are tested in accordance with test specifications for coatings from ASTM and PCI. Standard exterior colors are White (WH), Black (BK), Semi- Matte Black(BL) Bronze (BZ), and Silver (SV). Selux premium colors (SP) are available, please specify from your Selux color selection guide.

**5 Year Limited LED Luminaire Warranty** - Selux offers a 5 Year Limited Warranty to the original purchaser that the Arca LED luminaire shall be free from defects in material and workmanship for up to five (5) years from date of shipment. This limited warranty covers the LED driver and LED array when installed and operated according to Selux instructions. For details, see "Selux Terms and Condition of Sale."

**Listings and Ratings:** Luminaire and LED tested to IP67 and IESNA LM-79-08 standards. LED tested to LM-80 standards. Luminaire and LED tested at 25°C ambient temperature. ARCA LED suitable for ambient temperatures of 40°C (104°F). Minimum operating temperature of luminaire at -40°C (-40°F). NRTL Listed for wet location (i.e. UL, CSA) Visit selux.us for our LED End of Life recycling policy.

**NRTL Listed (i.e. UL, CSA)**

Color Temperature	4000K					3000K					
Drive Current (mA)	1050	900	700	500	350	1050	900	700	529	500	350
<b>Performance</b>											
Delivered Lumens (lm)	4400	3772	2934	2095	1467	4400	3772	2934	2217	2095	1467
Wattage (W)	56	48	37.3	26.7	18.7	56	48	37.3	27.45	26.7	18.7
Efficacy (lm/W)	78.6	78.6	78.7	78.5	78.4	78.6	78.6	78.7	80.8	78.5	78.4

### Mounting

**Single (S1)**

Single pole top mount  
(Helicoil Location: 0B)

**Double (S2)**

Double pole top mount  
(Helicoil Location: 0B-0D)

**Triple (SB3)**

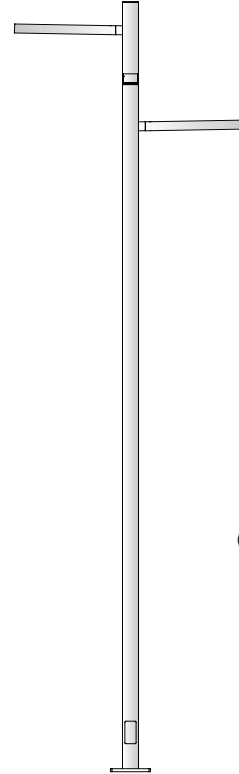
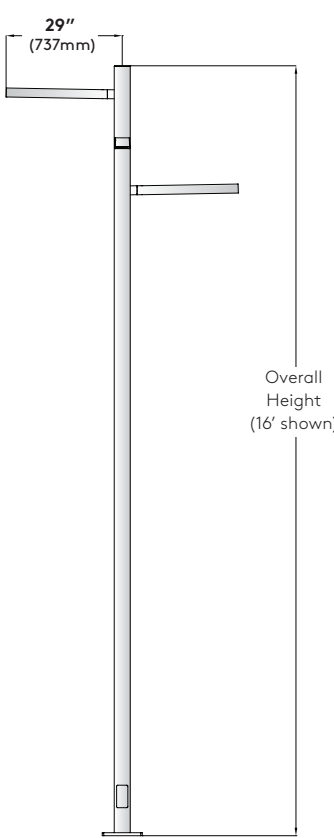
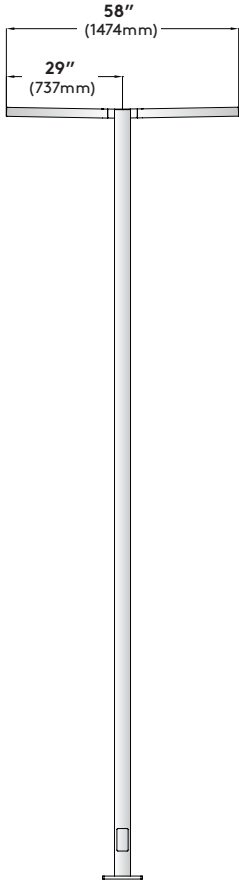
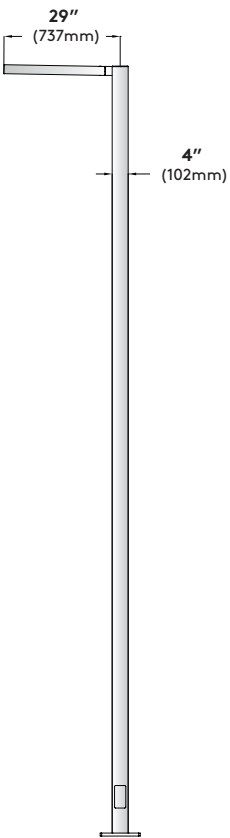
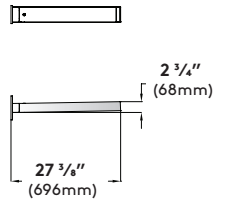
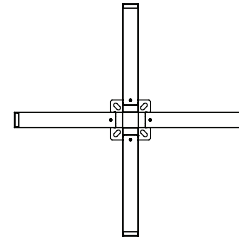
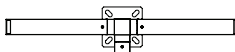
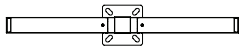
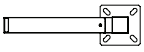
Die cast aluminum Sistema lateral bracket secured in pole side.  
(Helicoil Location: 1B-2A-3D)

**Quadruple (SB4)**

Die cast aluminum Sistema lateral bracket secured in pole side.  
(Helicoil Location: 1B-2A-3D-4C)

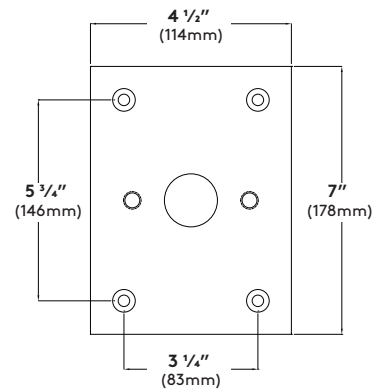
**Wall Mount (W)**

Die cast aluminum single luminaire mount and steel mounting plate secured to wall with ¼" flat head screws.



Overall Height (16' shown)

**Wall Mounting Detail**  
(Conduit and mounting hardware by others).



EPA Weight = 12 lbs.

**EPA**  
0.86ft<sup>2</sup>

EPA Weight = 24 lbs.

**EPA**  
1.72ft<sup>2</sup>

EPA Weight = 36 lbs.

**EPA**  
2.58ft<sup>2</sup>

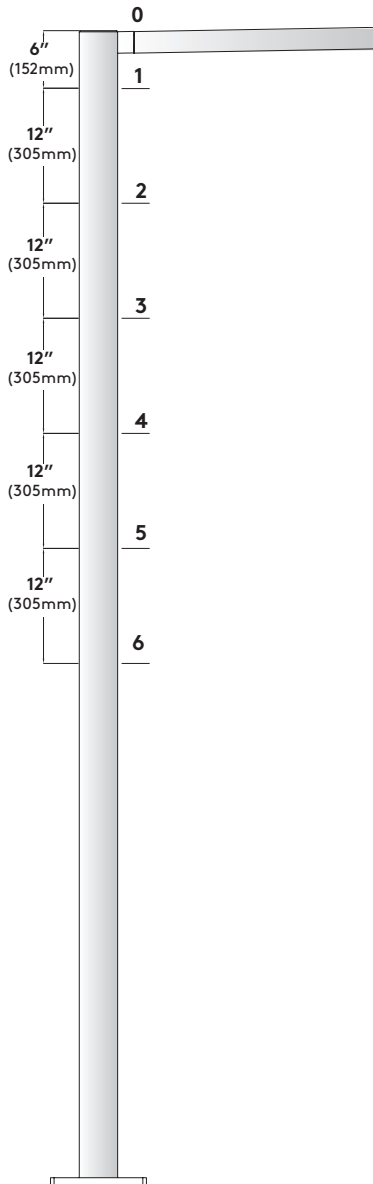
EPA Weight = 48 lbs.

**EPA**  
3.44ft<sup>2</sup>

EPA Weight = 12 lbs.

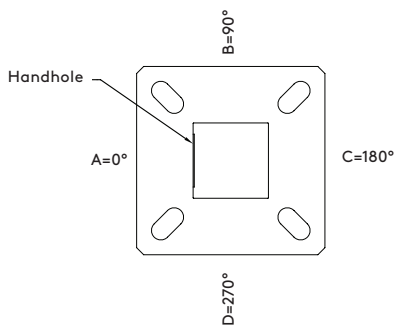
**EPA**  
0.86ft<sup>2</sup>

**Mounting Detail**



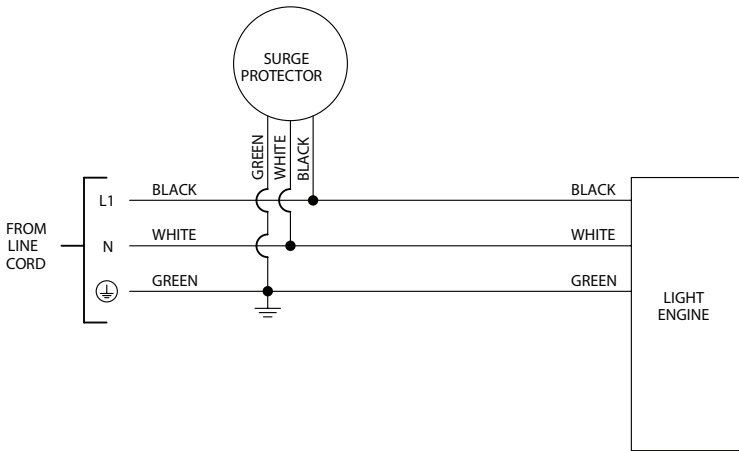
Mounting Configuration							
Height Code	0	1	2	3	4	5	6
Distance from Top of Pole	0.0'	0.5'	1.5'	2.5'	3.5'	4.5'	5.5'
Angular Location Code	Clockwise From Handhole						
A	0°						
B	90°						
C	180°						
D	270°						

\*No Luminaire Below 7.5ft.

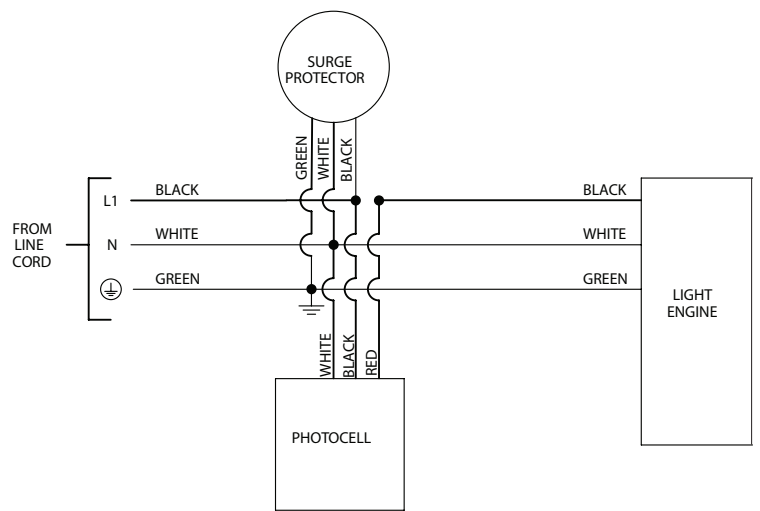


## Wiring

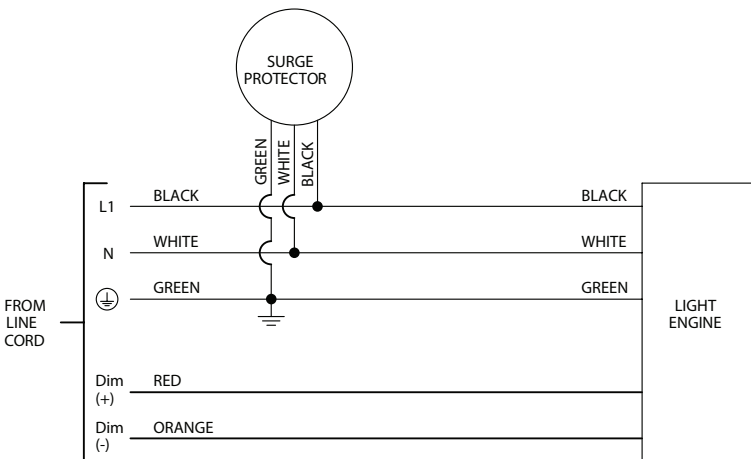
### Standard Single Wiring



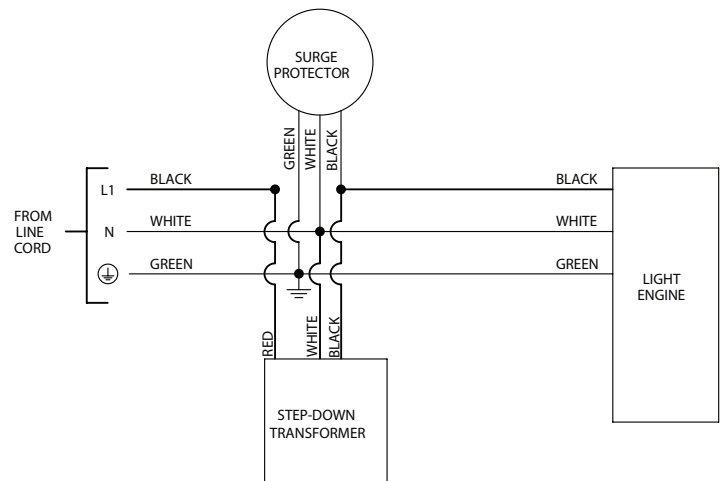
### Photocell Wiring



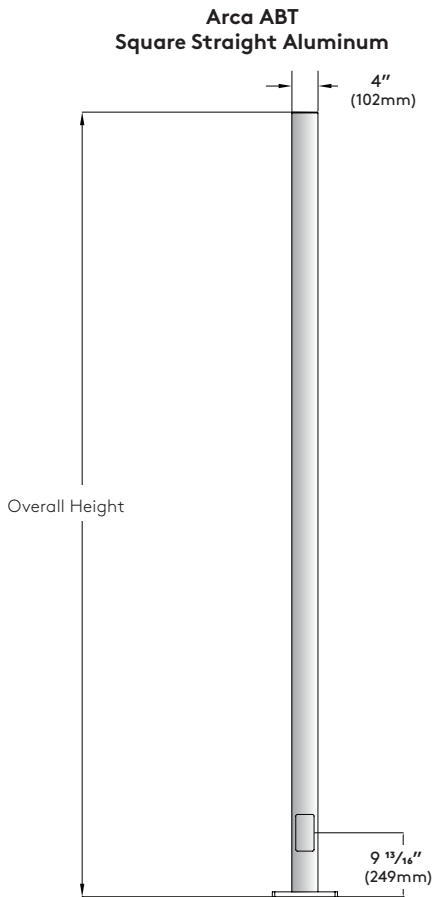
### 0-10V Dimming Option (DM) Wiring



### 347/480 V

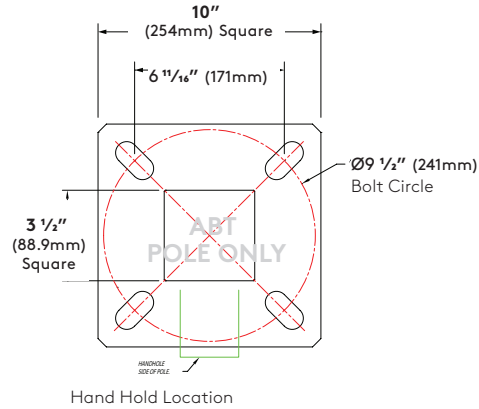


**Pole Information**



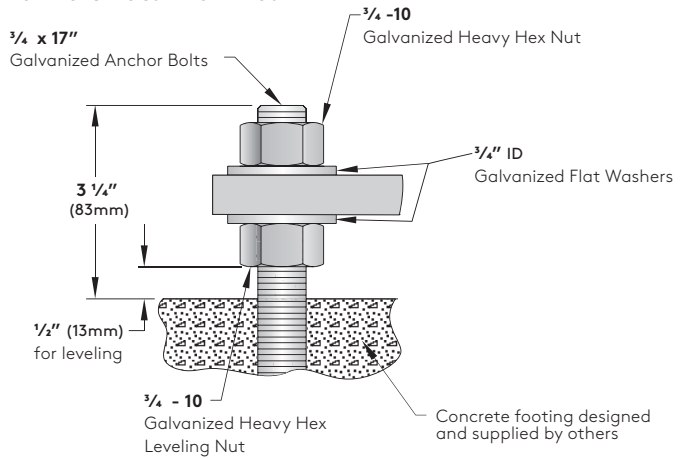
**Arca Anchor Bolt**

Use caution when setting anchor bolts. Bolts must be vertically straight and centered on dimensions shown.



Note: Adequate drainage must be provided in concrete foundation.

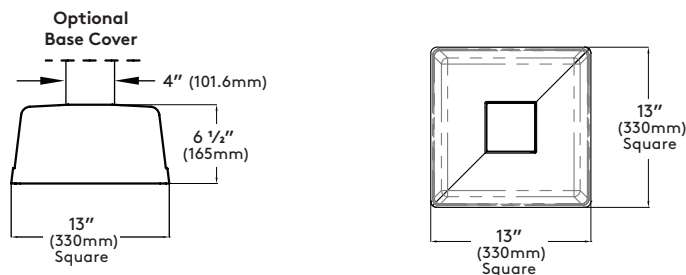
**Anchor Bolt Detail for Arca**



**Pole Data Chart**

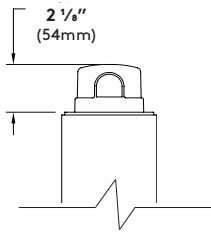
Pole Series	Bolt Circle	EPA Information											Height	Finish	Helicoil Inserts	Options
		Basic Wind Speed (MPH)														
		80	90	100	110	120	130	140	150	160	170	180				
A-A40-250	Ø9 1/2"	26	20	15.6	12.4	9.9	8	6.4	5.2	4.2	3.4	2.7	8	WH White	HC1 1 Pair	BC Base Cover
A-A40-250		19	14	10.9	8.3	6.4	4.9	3.7	2.7	1.9	1.3	NA	10	BK Black	HC2 2 Pair	REC GFCI Receptacle with weather-proof cover
A-A40-250		14	10	7.5	5.4	3.8	2.6	1.6	NA	NA	NA	NA	12	BL Semi-Matte Black	HC3 3 Pair	REC2 GFCI Receptacle with padlockable in-use cover
A-A40-250		10	7	4.9	3.1	1.8	NA	NA	NA	NA	NA	NA	14	BZ Bronze	HC4 4 Pair	REC3 USB & Duplex Receptacle with weatherproof cover
A-A40-250		7	4	2.5	1.1	NA	NA	NA	NA	NA	NA	NA	16	SV Silver		REC4 USB & Duplex Receptacle with weather-proof padlockable in-use cover
A-A40-250		4	2	NA	NA	NA	NA	NA	NA	NA	NA	NA	18	SP Specify Premium Color		

**Base Cover (BC)**



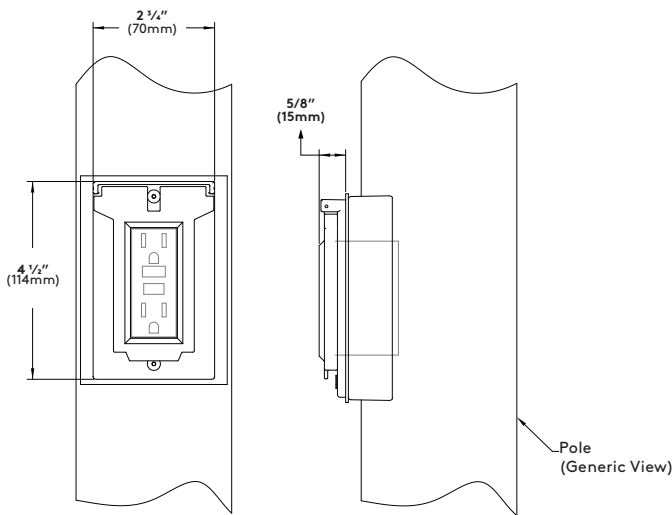
**Optional Accessories**

**Photocell** - Twist lock Photocell in top of pole.

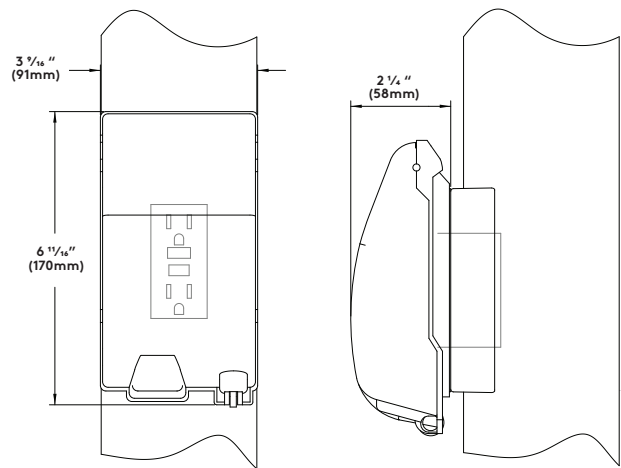


**GFCI Receptacle (REC)** - 120V 15A GFCI duplex receptacle with weather-proof, self-closing cover; located 36" (915mm) from base of pole, inline with handhole. Receptacle is intended only for portable tools or other portable equipment to be connected to outlet only when attended by operating personnel. For use with 120V applications only. For use with luminaires with other than 120V rating, please consult factory for wire segregation.

**GFCI Receptacle with in-use cover (REC2)** - 120V 15A GFCI duplex receptacle with weather-proof, self-closing, padlockable in-use cover; located 36" (915mm) from base of pole, inline with handhole. Receptacle is intended only for portable tools or other portable equipment to be connected to outlet only when attended by operating personnel. For use with 120V applications only. For use with luminaires with other than 120V rating, please consult factory for wire segregation.



Cover shown in the closed position



\*Physical size subject to change pending availability

**USB & Duplex Receptacle (REC3)** - 120V 15A duplex receptacle with USB combination ports. (1) type A and (1) type C high power 5 Amp, 5 Volt USB outlets. With weather-proof, self-closing cover; located 36" (915mm) from base of pole, inline with handhole. Receptacle is intended only for portable tools or other portable equipment to be connected to outlet only when attended by operating personnel.

**USB & Duplex Receptacle (REC4)** - 120V 15A duplex receptacle with USB combination ports. (1) type A and (1) type C high power 5 Amp, 5 Volt USB outlets. With weather-proof, self-closing padlockable in-use cover; located 36" (915mm) from base of pole, inline with handhole. Receptacle is intended only for portable tools or other portable equipment to be connected to outlet only when attended by operating personnel.

**Photometry**

L1050 / 56W LED / 5000K CCT

Catalog #: ACL-R2-X-L1050-50-XX-120

Report #: 1228293-L105050

Delivered Lumens: 4711

Efficacy: 84 lm/W

IES classification: Type II

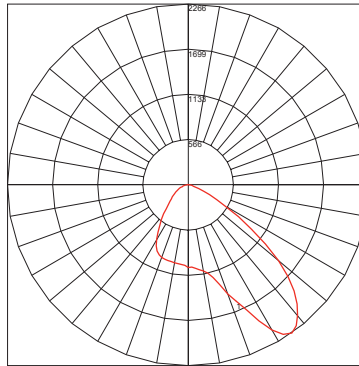
Maximum candela of 2265.9 at 35° from vertical

Ideal for applications demanding a uniform symmetric light distribution.

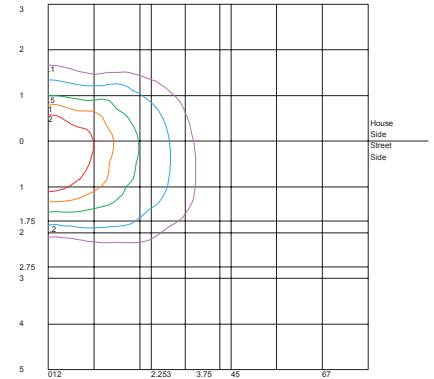
BUG Rating: B1-U0-G1

**DOWNLOAD IES FILES:**

[http://www.selux.us/fileadmin/us/exterior/ies\\_file/ACL\\_IES.zip](http://www.selux.us/fileadmin/us/exterior/ies_file/ACL_IES.zip)



Maximum Candela = 2265.881 Located At Horizontal Angle = 0, Vertical Angle = 35  
# 1 - Vertical Plane Through Horizontal Angles (0 - 180) (Through Max. Cd.)



Distance In Units Of Mounting Height  
Values Based On 16 Foot Mounting Height