

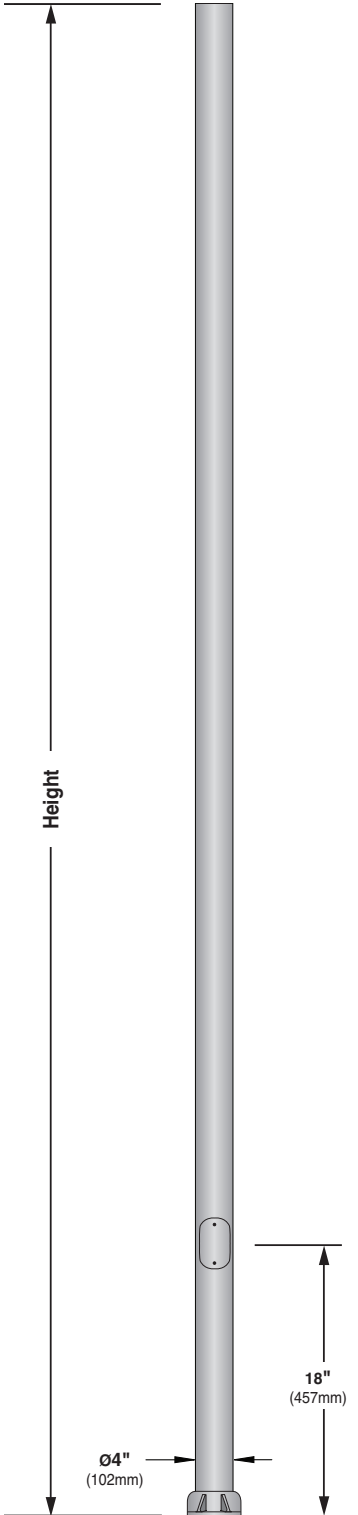
A40 4" Round Straight Aluminum Pole



Project: _____

Type: _____ **Qty:** _____

Ordering Format: A40 - - - -
Series Height Finish Option



Height	Wall Thickness	EPA Information (ft ²)					Finish	Options
		70 mph	80 mph	90 mph	100 mph	110 mph		
12 12 ft.	0.125	8.4	6.0	4.3	3.2	2.6	WH White BK Black BZ Bronze SV Silver SP Specify Premium Color	BC13 Die Cast Base Cover REC GFCI Receptacle with weather-proof cover REC2 GFCI Receptacle w/ weather-proof padlockable in-use cover T30 Supplied with Ø3" Tenon, 4" high Motion Sensor w/ Optional Photocell (Meets Title 24 Requirements). See Pole Spec Sheet 3 for Order Code For PCT refer to fixture spec sheets (where applicable). For other options please consult factory.
14 14 ft.	0.125	6.7	4.6	3.1	2.2	1.7		
16 16 ft.	0.125	5.0	3.2	2.0	1.2	0.9		
Other heights available, consult factory. EPA Calculations allow for 1.3 Gust Factor								

Standard Specifications

Pole Shaft - Pole shaft is extruded from seamless 6061 alloy aluminum which is heat treated to a T6 temper.

Anchor Base - Anchor base is cast from 356 alloy aluminum which is heat treated to a T6 temper. The anchor base casting and shaft are joined by a continuous circumferential weld at the outside top and inside bottom of the anchor base.

Access Hole - The opening measures 2 3/8" x 4" (60 x 100mm). Cover is supplied with tamper resistant fasteners. 3/8"-16 ground lug is located inside pole, opposite the hand hole.

Anchor Bolts - Pole is supplied with four 3/4 x 17" steel hot dip galvanized anchor bolts each with two nuts, two flat washers and one lock washer.

Base Cover - Standard two-piece base cover is made from

die-cast 356 alloy aluminum which is heat treated to produce a T6 temper, measuring 5 3/16" (131mm) height by 12 1/2" (316mm) diameter.

Exterior Luminaire Finish - Selux utilizes a high quality Polyester Powder Coating. All Selux luminaires and poles are finished in our Tiger Drylac certified facility and undergo a five stage intensive pretreatment process where product is thoroughly cleaned, phosphated and sealed. Selux powder coated products provide excellent salt and humidity resistance as well as ultra violet resistance for color retention. All products are tested in accordance with test specifications for coatings from ASTM and PCI.

Standard exterior colors are White (WH), Black (BK), Bronze (BZ), and Silver (SV). Selux premium colors (SP) are available, please specify from your Selux color selection guide.

All Poles are constructed per AASHTO standards for structural supports for highway signs, luminaires and traffic signals as published in 1994.

A consideration of field conditions such as (but not limited to) wind zone, height, vibration must be given by the designer/specifier for the appropriate application.

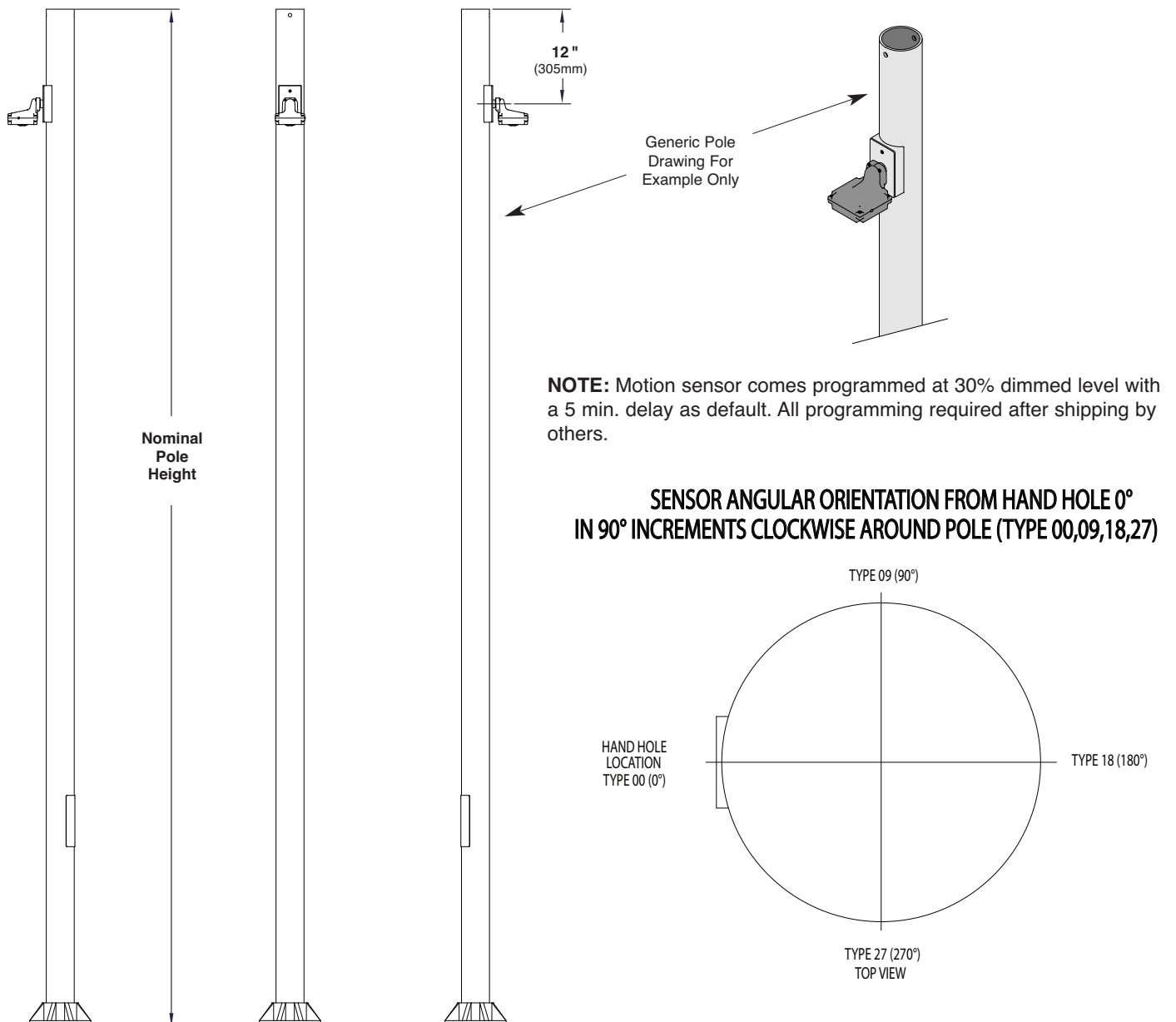
Performance of poles is dependent upon proper support/attachment of pole to adequate foundation design. Selux does not design or offer recommendations for foundations. EPA values assume that the bottom of the pole is at grade level.

Call Selux (1-800-SELUXCS) if there are any questions, or for any assistance in determining suitability with appropriate fixtures.

Motion Sensor

The Selux outdoor rated sensor incorporates Passive Infrared (PIR) technology for motion sensing and also includes and built in photocell. Designed to mount directly through a 1/2" KO in a single gang faceplate on pole/column, the SBO utilizes 100% Digital Passive Infrared (PIR) technology that is tuned for walking size while preventing false tripping from the environment.

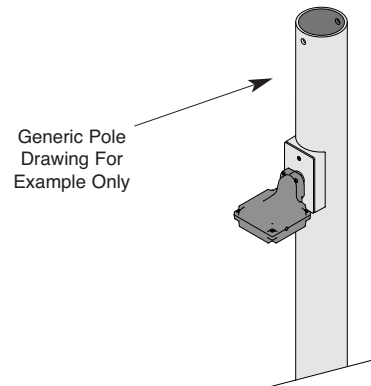
Series	Optics	Hand Hole Orientation	Program	Color	Photocell Feature	Voltage
MS Motion Sensor	1 270° coverage - Single Sensor	00	D0 0V=0%	WH White	Y Yes	UNV 347 480
		09	D1 1V=10%	BK Black	N No	
		18	D3 3V=30%	BZ Bronze		
		27	D5 5V=50%			
		Goes from dim level to full bright upon motion				



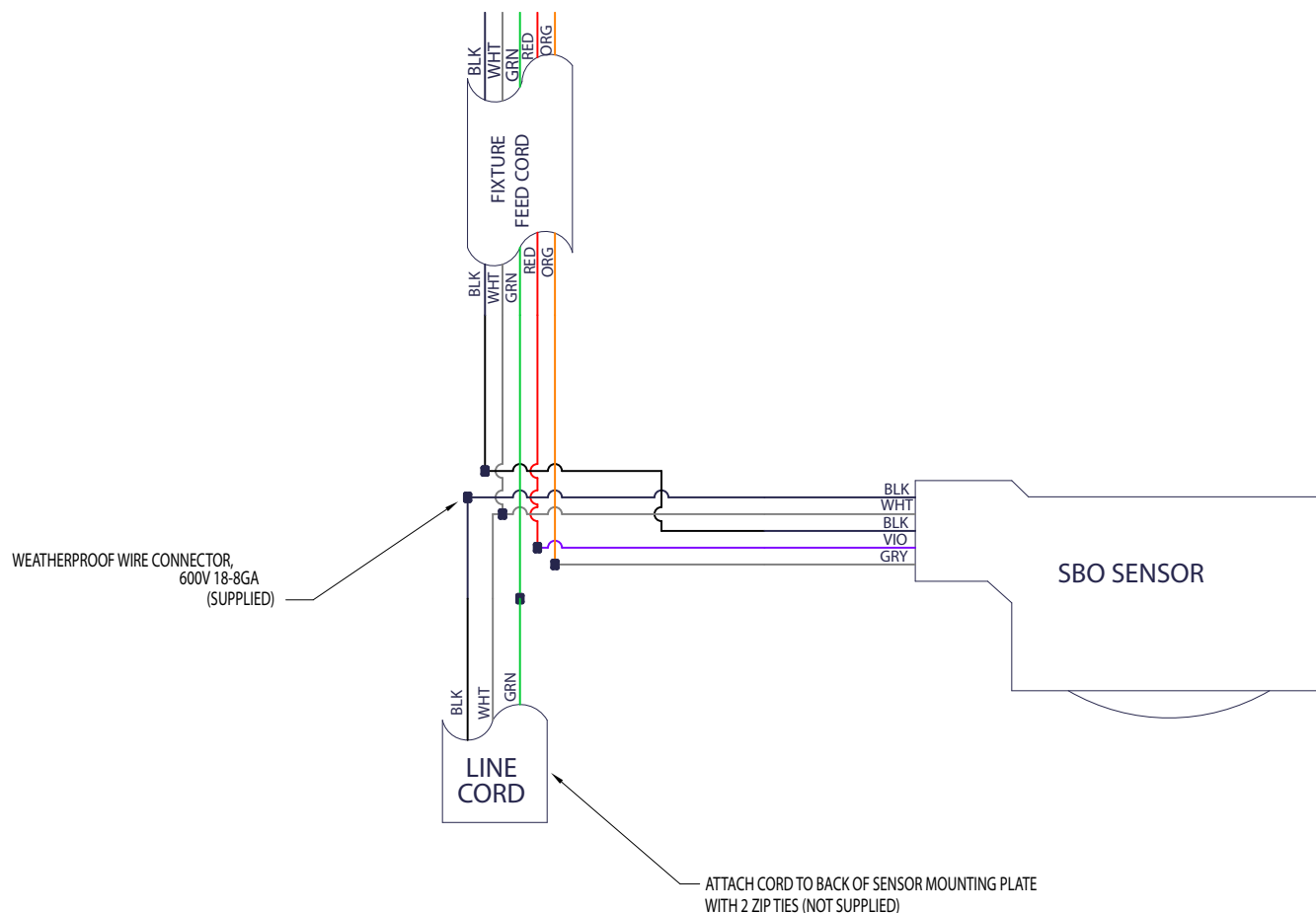
Motion Sensor Features

Features

- 100% Digital PIR Detection, excellent RF Immunity
- 270° coverage pattern
- Up to 30ft mounting
- IP66 Rated for outdoor application
- Built-in 1kV surge protection
- No minimum load requirements
- Made for LED light source
- Interchangeable hot and load wires - impossible to wire backwards
- Adjustable time delays, max/min dim levels and ramp rates
- Programming button accessible without opening sensor or removing gaskets
- No field calibration or sensitivity adjustments required
- Non-volatile setting memory
- Convenient test mode
- Suitable for Title 24 applications



Wiring Diagram

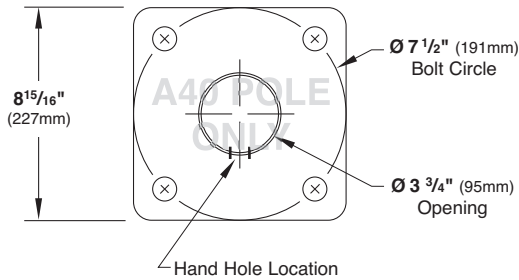


A40 4" Round Straight Aluminum Pole



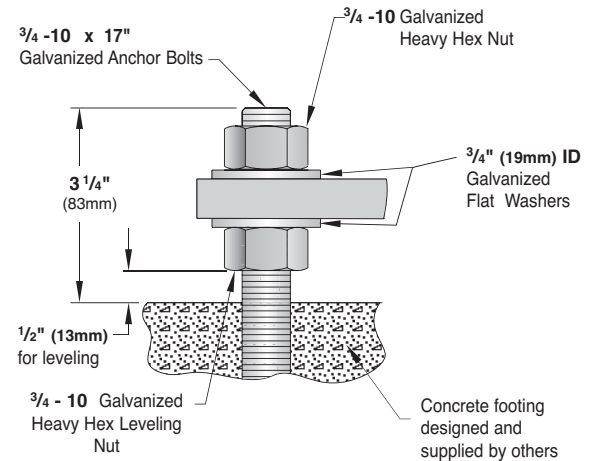
Bolt Circle

Use caution when setting anchor bolts. Bolts must be vertically straight and centered on dimensions shown.



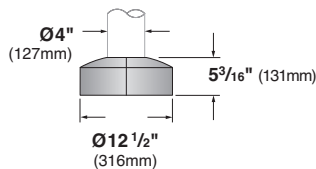
Note: Adequate drainage must be provided in concrete foundation.

Anchor Bolt Detail



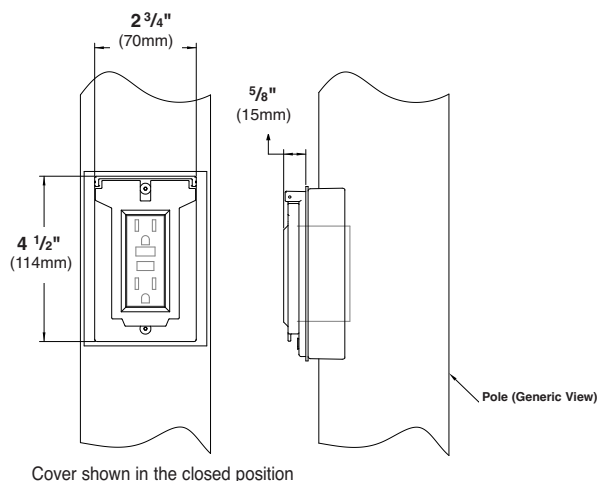
Base Cover

BC13

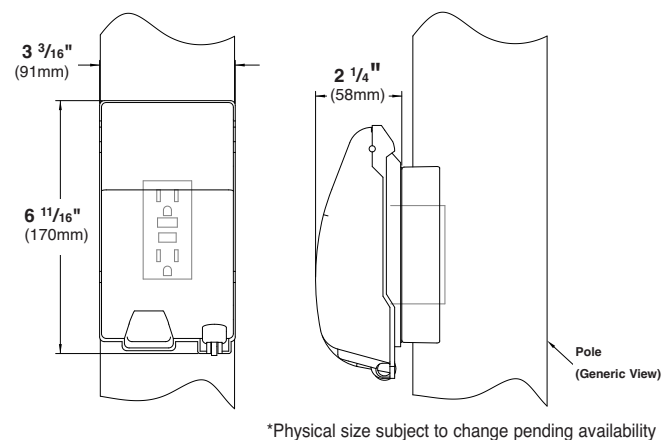


Optional Accessories

GFCI Receptacle with flat cover (REC) - 120V 15A GFCI duplex receptacle with weather-proof, self-closing non-lockable cover; located 36" (915mm) from base of pole, inline with handhole. Receptacle is intended only for portable tools or other portable equipment to be connected to outlet only when attended by operating personnel. For use with 120v applications only, for other fixture voltages, please consult factory for wire segregation requirements.



GFCI Receptacle with in-use cover (REC2) - 120V 15A GFCI duplex receptacle with weather-proof, self-closing padlockable in-use cover; located 36" (915mm) from base of pole, inline with handhole. Receptacle is intended only for portable tools or other portable equipment to be connected to outlet only when attended by operating personnel. For use with 120v applications only, for other fixture voltages, please consult factory for wire segregation requirements.



*Physical size subject to change pending availability