

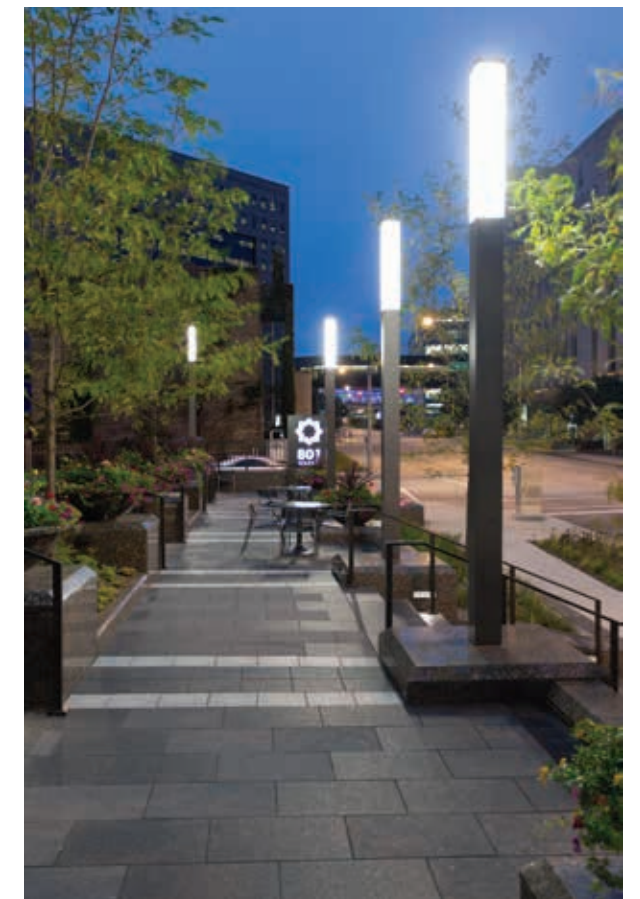


M T R
C O L U M N



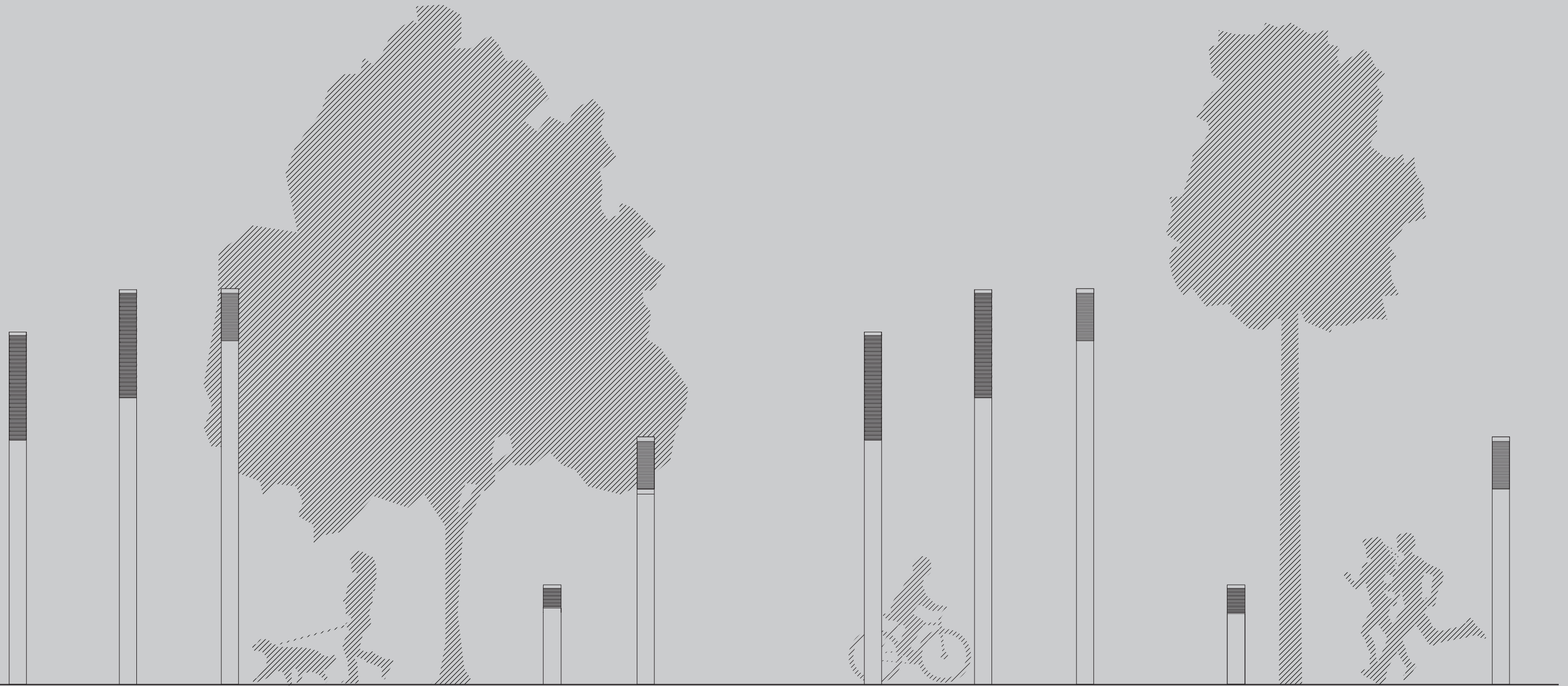


8th Ave. Penny Lane, Calgary, AB, Canada — Architect: Pickard Chilton; Gibbs Gabe Architects — Lighting Designer: Quentin Thomas Associates, Inc. — Photography: James McMenemy Photography



MTR Family

25'
—
—
22'
—
—
20'
—
—
18'
—
—
16'
—
—
14'
—
—
12'
—
—
10'
—
—
8'
—
—
6'
—
—
4'
—
—
2'
—
—



MTR Square Column LED

MTR Round Column LED

MTR Round Column

MTR Square Bollard LED

MTR Square Column LED

MTR Square Column

MTR Round Column

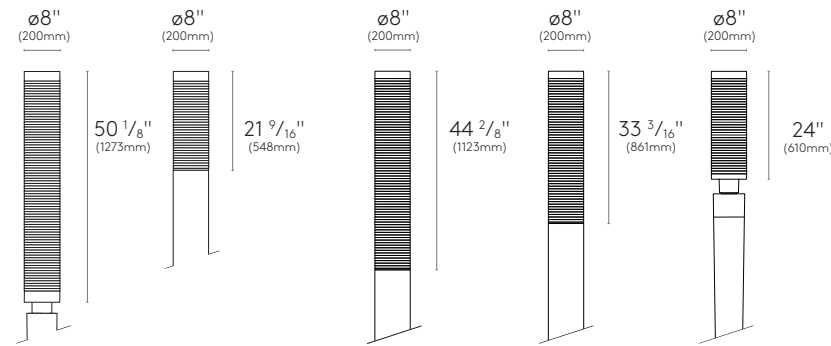
MTR Square LED

MTR Bollard LED

MTR Column

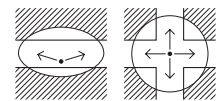
MTR Column

Die cast, low copper aluminum top cap, fitter and extruded straight or reverse tapered column · Patented MTR refractor rings to reduce glare, enhance visual comfort and direct light to the task plane · Three different column designs allow integration in various landscape/hardscape environments · MTR Round columns include a Tiger Drylac certified polyester powder coat finish for superior wear resistance.

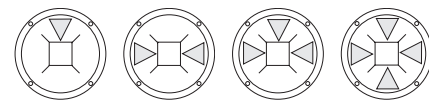


MTR Column Round

MTR Column LED Round



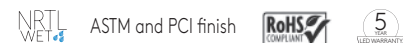
type IV type V



1L35 2L35 3L35 4L35

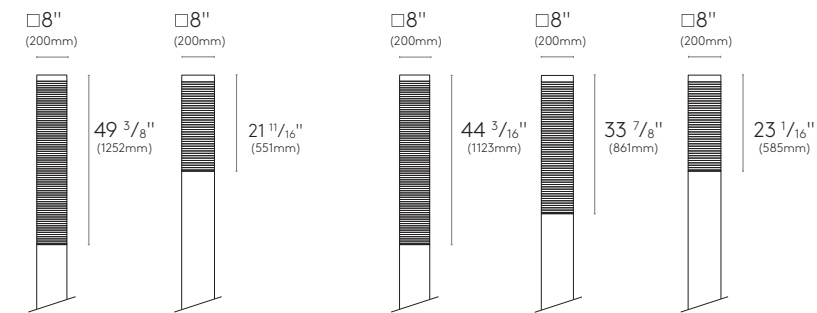
Mounting	tapered pole, straight column	tapered pole, straight column
Lamping		
Fluorescent	32-128W	—
MH	(2x)50- (2x)70W	—
LED	—	17-120W
Options	hi-lo switching, house side shield, GFCI receptacle, cold weather ballast, electronic ballast, dual switching	

for more detailed drawings, see spec sheet on website



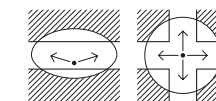
MTR Square Column

Die cast, low copper aluminum construction with extruded straight square column · Patented MTR refractor rings to reduce glare, enhance visual comfort and direct light to the task plane · The latest “square” addition to the MTR family allows additional freedom of integration in various landscape/hardscape environments · MTR Square columns include a Tiger Drylac certified polyester powder coat finish for superior wear resistance.

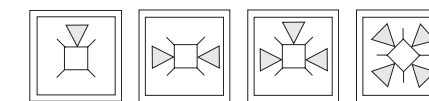


MTR Square Column

MTR Square LED Column



type IV type V



1L35 2L35 3L35 4L35

Mounting	straight column	straight column
Lamping		
Fluorescent	32-128W	—
MH	(2x)50- (2x)70W	—
LED	—	16-120W
Options	hi-lo switching, house side shield, GFCI receptacle, cold weather ballast, electronic ballast, dual switching	

for more detailed drawings, see spec sheet on website

