

A V A N Z A

Efficient LED-based street lighting can be so simple with the Avanza – beautiful and variable, efficient and sustainable. With two luminaire sizes and several reflector systems the Avanza family provides solutions for a wide range of lighting tasks for streets or squares – either as a lateral-mounted or pole-top fitting on a special designer pole or an existing standard pole.



Mably, France — Photography: Louis Houdon

Avanza Family

35'

30'

25'

22'

20'

18'

16'

14'

12'

10'

8'

6'

4'

2'



Avanza 600

Avanza 450
Solar

Avanza 450

Avanza 600
Avanza 450



Avanza 450

Powerful. Aesthetic. Future Oriented



Avanza 600

Powerful. Aesthetic. Future Oriented.

Efficient LED street lighting can be so simple with the Avanza. Its flexibility and efficient design make Avanza the perfect choice for any application. With two luminaire sizes and several reflector systems, this product family provides solutions for a wide range of lighting applications including streets, parking areas, pedestrian walkways, and other traffic areas.

The high powered LEDs combined with innovative freeform reflectors and sophisticated thermal management are the foundation of the Avanza's superior performance.

The Avanza incorporates a single-piece design and exploits the full possibilities of LED technology. Both the Avanza 450 for pathways and suburban roads, and the Avanza 600 for higher traffic areas, deliver harmonious brightness transitions, variable lighting power and many additional accessories.

With the Avanza, Selux remains a market leader and is proud to have won the Architectural SSL Product Innovation Award.

Selux stands behind the quality of the Avanza product line and offers a 5 year limited warranty on all LED products. Please contact us directly or visit us online to learn more about how we can support the freedom and interpretation of your designs.

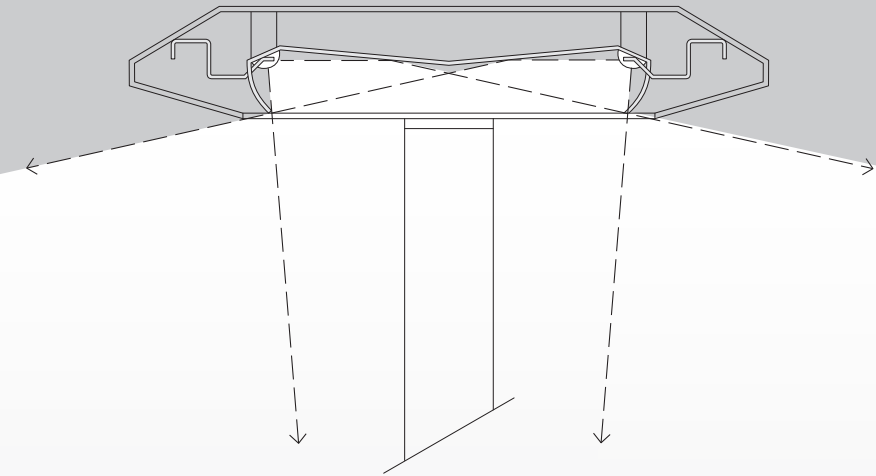
Optimal Comfort

Selux quality ensures that the luminaires provide good visibility and visual comfort. Avanza 450 is available up to 56W and Avanza 600 up to 107W. Both include a 3000K, 3500K, 4000K and 5000K color temperature. The LED module and electronic driver are designed for >60,000 operating hours at 40°C (104°F) ambient temperatures until L70. The Selux Cross Beam Technology (CBT) injection molded and vacuum metalized reflectors create IES distribution Types III wide, Type III narrow and Type V with IDA approved "Dark Sky Friendly" performance.

Avanza uses Cross Beam Technology (CBT) to ensure uniform lighting by presetting the LEDs in the direction of their targeted application. A standard comfort feature is added to reduce light densities and increases visual comfort.

The basis for the superior performance of the Avanza are the efficient high-power LEDs manufactured by a renowned brand and combined with innovative free form reflectors, coated with the purest aluminum, and joined with sophisticated thermal management. The primary diffuse comfort feature is standard with our product. This feature reduces light densities and increases visual comfort.

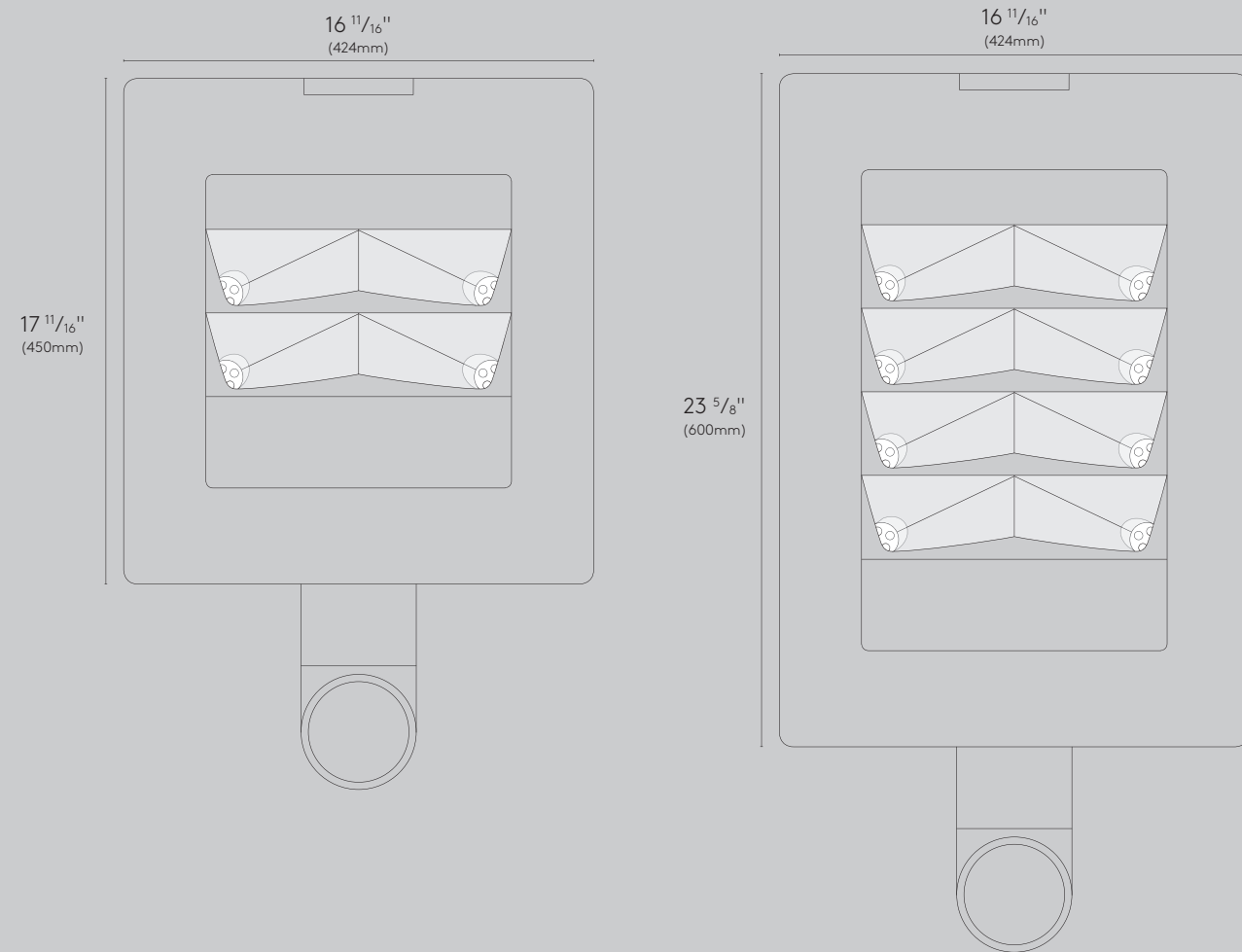
Homogenous, uniform lighting results



Method of operation (free-form reflectors)

One luminaire concept for all application areas

A wide range of powers with two sizes



Avanza 450
with two pairs of reflectors

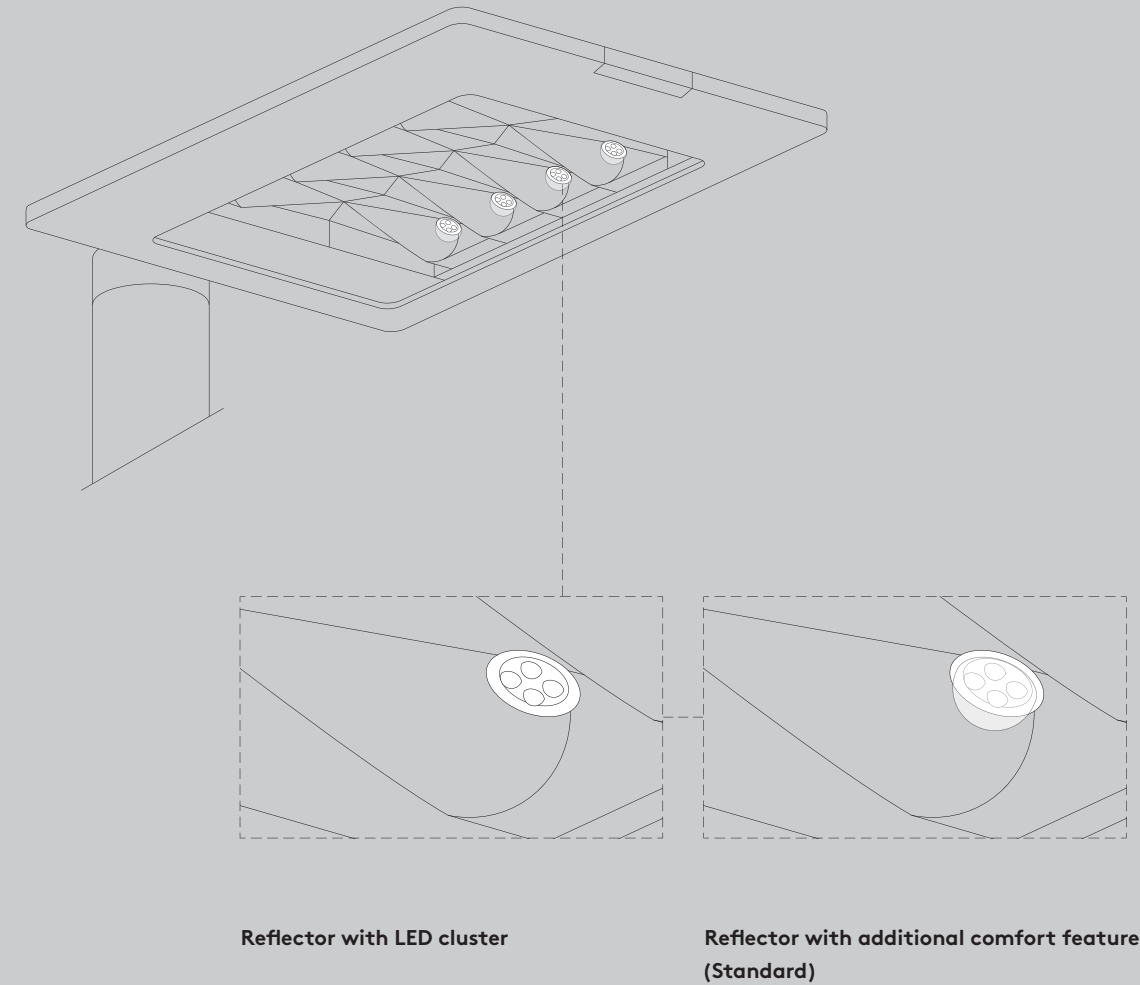
Avanza 600
with four pairs of reflectors

With two luminaire sizes, this product family provides solutions for a wide range of lighting tasks. The die-cast, low copper aluminum construction incorporates a single-piece design and expands the possibilities of LED technology. This distinctive design lends a stylish touch to streets, parking lots, and walkways.

The Avanza provides light which exceeds the industry standards by utilizing maximum pole distances and heights that range from 12 ft to 24 ft. It can be mounted in single short or long arm, double short or long arm, a single pole adapter or short arm wall mount. Avanza is the perfect choice for LED street lighting.

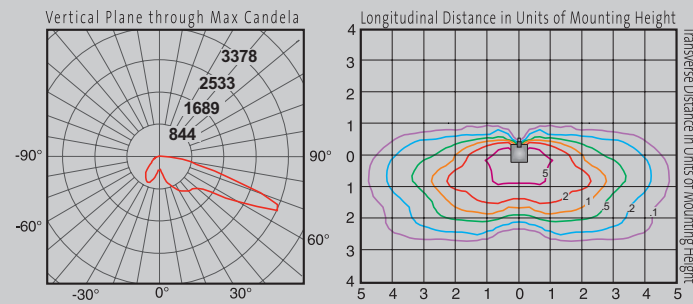
The Avanza luminaire can be switched (Hi-Lo) and dimmed (0-10V) via different interfaces. Light can be controlled according to requirements in a way that would not be possible with conventional luminaire technology.

High level of system efficiency and visual comfort

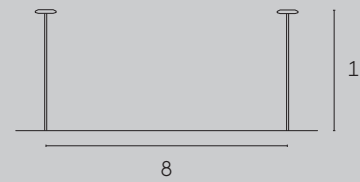


An LED cluster aligned in the direction of the main light is integrated into each reflector. The comfort feature is attached directly onto the LED cluster - luminous areas are widened, light densities are reduced, and visual comfort is increased.

Access-only residential areas and suburban streets with low traffic volume

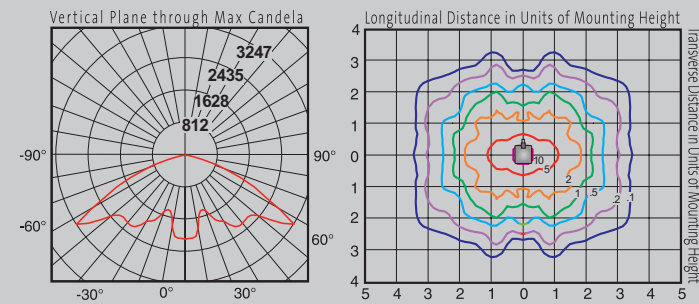
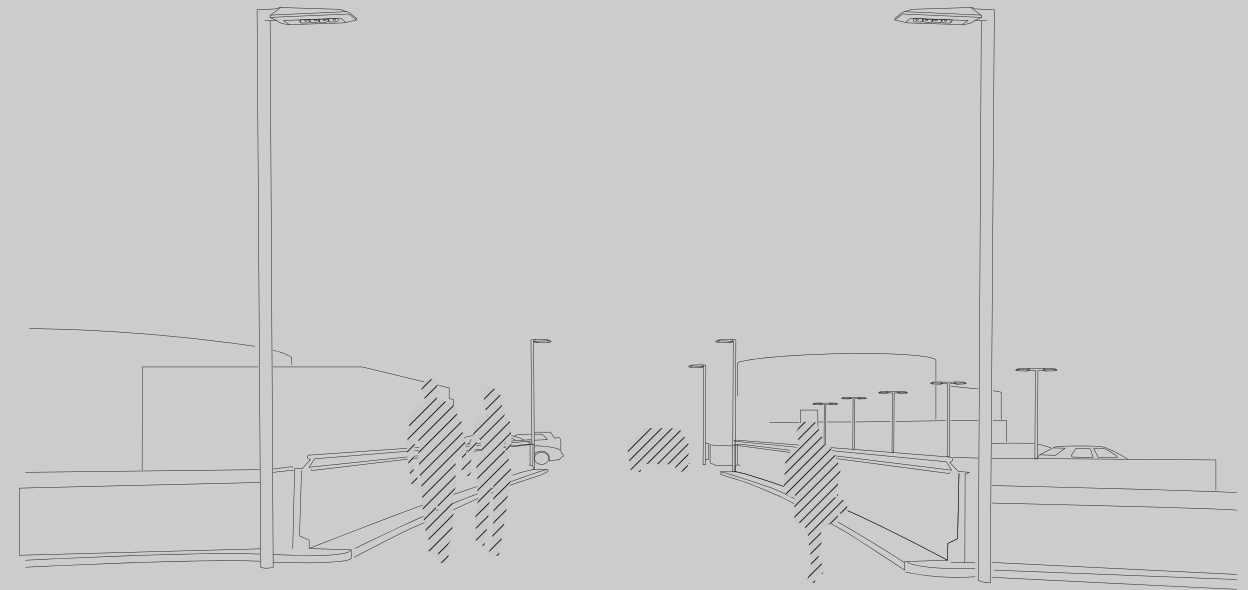


Avanza 450
Asymmetrical light distribution with comfort feature · for residential streets with low volume of traffic according to the requirements of luminance rating classes

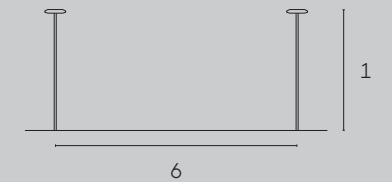


Mounting height 12' to 16' · ratio of mounting height/pole distance up to 1:8

Parking lots, apartment, or townhouse street lighting



Avanza 600
Symmetrical light distribution · for lighting open areas



Mounting height 16' - 24' · ratio of mounting height/pole distance up to 1:6

With 3000K warm white light the modules are particularly suitable for residential areas. The comfort feature enables reduction of subjective dazzling and measurable glare values.

Suitable luminous packages are available for various lighting classes. 4000K neutral white light offers very good recognizability and true color reproduction.

Avanza

Avanza is constructed from die-cast, low copper aluminum housing with hinged door for tool-less access to optical chamber. The Avanza uses a precision injection molded and vacuum metalized reflector in a sealed optical chamber to create IES Type III Wide, III Narrow, and V distributions. IDA-Approved "Dark Sky Friendly" performance. LED engine and driver hold a 5 year limited warranty. Reported L70>60,000h. Avanza includes Selux standard Tiger Drylac certified polyester powder coat finish for superior wear resistance.

Pole Mounted

Avanza

Avanza 600



Avanza 450



Avanza 450



type III (narrow) type III (wide) type V

Avanza 600



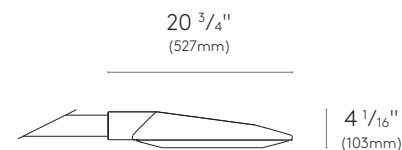
type III (narrow) type III (wide) type V

Mounting	pole · wall
LED	38-56W
Options	hi-lo switching, photocell, dimming

Mounting	pole · wall
LED	72-107W
Options	hi-lo switching, photocell, dimming

for more detailed drawings, see spec sheet on website

Avanza 450



Avanza 600

