

# Purelight

Linear Fluorescent Suspended

# selux



**Project:** \_\_\_\_\_

**Type:** \_\_\_\_\_ **Qty:** \_\_\_\_\_

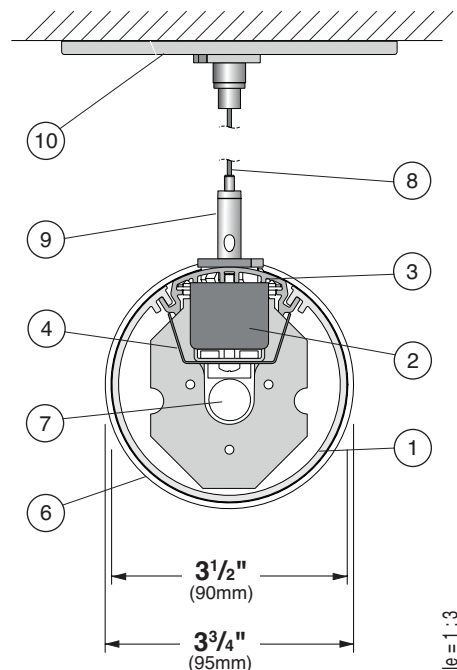
**PL9** - **SD** - **C** - \_\_\_\_\_ - \_\_\_\_\_ - \_\_\_\_\_  
 Series - Lamping - Shielding - Mounting - Nominal Length - Finish - Voltage

Options

Series	Lamping	Shielding	Mounting	Nominal Length	Finish	Voltage	Options
PL9 Purelight Multi-Mount Form	1T5 F14T5 (2') F21T5 (3') F28T5 (4')	SD Satine Lens	C Cable	002	2 foot	120	DMA Digital Addressable Dimming DMH Dimming (H-Series) TM <sup>1</sup> Tandem Wiring EM1 <sup>3,6</sup> Stand-by Battery Pack (ISL-28) EM2 <sup>3</sup> Stand-by Battery Pack (ISL-54) EM3 <sup>4</sup> Stand-by Battery Pack (ISL-540) FS <sup>5</sup> Single Fusing <small>For multiple combinations, please consult factory.</small>
				003	3 foot		
	004			4 foot			
	1T5HO F24T5 (2') F39T5 (3') F54T5 (4')			006	6 foot	347 <sup>1,2</sup>	
				008	8 foot		
	1T8 F17T8 (2') F25T8 (3') F32T8 (4')			RUN <sup>1</sup>			

<sup>1</sup> Consult Factory. <sup>2</sup> Not available with dimming, FS, or EM1-3. <sup>3</sup> Not available with 2' or 3'. <sup>4</sup> Not available with 2', 3', or 4'. <sup>5</sup> Not available with 2' dimming or 347V. <sup>6</sup> Not available with T5HO. <sup>7</sup> Includes endcaps and spacer rings.

## PL9-1T5-SD-C



**1. Shielding** - Round satine lens with diffusion optics provides luminous lines of diffuse light. Lens made from impact resistant PMMA (acrylic).

**2. Ballast** - Electronic, high power factor, pre-wired, class "P," type "A" sound rating. Specify 120V, 277V or 347V. Must be low-profile ballasts, consult factory for details. Standard Ballast for DMA is Lutron Eco System<sup>®</sup>. Standard Ballast for DMH is Lutron Eco System<sup>®</sup> H-Series.

**3. Housing** - Powder coated extruded aluminum.

**4. Reflector** - White coated high quality reflector for maximum efficiency.

**5. EM Battery Packs** - (Not Shown) Standard EM Battery Packs (EM1 –EM3) by IOTA<sup>™</sup>. For detailed information (i.e. operated lamps and average lumen ratings) please see IOTA Product specification sheet.

**6. End Cap** - Die cast aluminum end cap, powder coated or polished aluminum, designed for toolless access to the lamp and gear tray.

**7. Lamp** - Single T5 (14W 2', 21W 3',

28W 4'), T5HO (24W 2', 39W 3', 54W 4'), or T8 (17W 2', 25W 3', 32W 4') lamping by others.

**8. 1/16" Aircraft Cable Suspension** - 48" max. airplane safety cable suspension from ceiling to top of luminaire.

**9. Chrome Gripper** - Chrome cable gripper for easy adjustment.

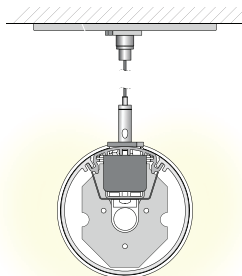
**10. Ø5" Canopy Cover** - White powder coated cover(s) supplied at feed location(s) intended to cover a standard J-box. White powder coated Ø2" covers supplied for non-feed location(s).

**Interior Luminaire Finish** - Selux utilizes a high quality Polyester Powder Coating. All Selux luminaires are finished in our Tiger Drylac certified facility and undergo a five stage intensive pretreatment process where product is thoroughly cleaned, phosphated and sealed. All products are tested in accordance with test specifications for coatings from ASTM and PCI.

Standard color is White (WH). Selux premium colors (SP) are available, please specify from your Selux color selection guide. Polished and clear coated end caps and center rings available with PO finish.

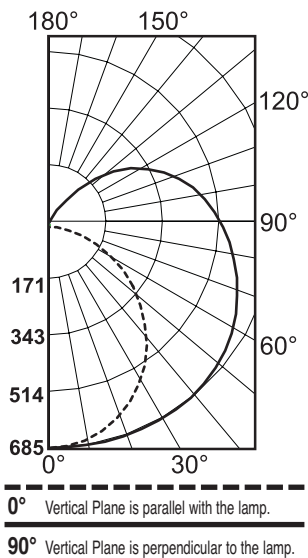
## Photometry

PL9 / 1T5HO / SD / 004



Catalog #: **PL-1T5HO-SD-004**  
 Lamp: **1x -1T5HO @ 5000 lumens**  
 Report #: **ITL-6004-4**  
 Luminaire Efficiency: **82%**  
 Maximum Candela: **685 @ 30°**

DOWNLOAD IES FILE:  
[http://www.selux.us/fileadmin/us/interior/ies\\_file/pl9\\_ies.zip](http://www.selux.us/fileadmin/us/interior/ies_file/pl9_ies.zip)



### COEFFICIENTS OF UTILIZATION - Zonal cavity method

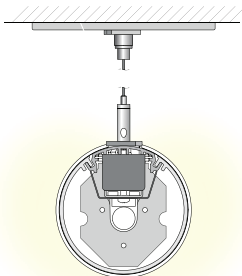
RC	80				70				50				30				10				0			
	RW	70	50	30	10	70	50	30	10	50	30	10	50	30	10	50	30	10	50	30	10	0		
1	80	75	70	66	76	71	67	63	64	60	57	57	54	52	51	49	47	43						
2	72	64	57	52	67	60	54	49	54	49	45	48	44	41	43	40	37	34						
3	65	55	48	42	61	52	45	40	47	41	37	42	37	33	37	33	30	27						
4	59	48	40	35	55	46	39	33	41	35	30	36	32	28	32	28	25	23						
5	54	43	35	29	50	40	33	28	36	30	26	32	27	24	29	25	21	19						
6	49	38	30	25	46	36	29	24	33	27	22	29	24	20	26	22	19	16						
7	46	34	27	22	43	33	26	21	29	24	19	26	21	18	24	19	16	14						
8	42	31	24	19	40	30	23	18	27	21	17	24	19	16	22	18	14	13						
9	39	28	22	17	37	27	21	16	25	19	15	22	17	14	20	16	13	11						
10	37	26	20	15	35	25	19	15	23	17	14	20	16	13	18	15	12	10						

Effective Floor Cavity Reflectance 0.20

CANDELA DISTRIBUTION					
	0	30	45	60	90
0	678	678	678	678	678
5	674	674	674	677	679
15	647	656	662	673	681
25	594	618	640	663	684
35	517	565	607	647	684
45	424	499	565	625	679
55	320	420	509	589	663
65	213	353	460	554	637
75	111	285	406	511	600
85	29	222	349	460	559
90	4	208	334	444	536

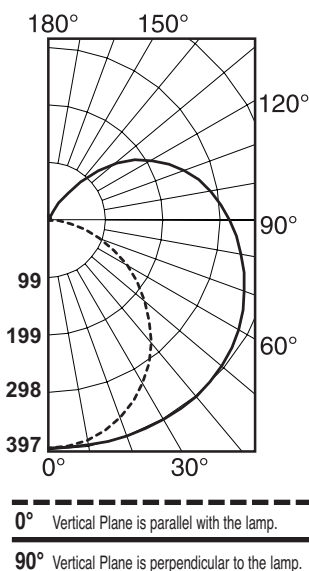
ZONAL LUMEN SUMMARY			
ZONE	LUMENS	%LAMP	%FIXT.
0-30	545.06	10.90	13.90
0-40	920.77	18.40	22.80
0-60	1793.62	35.90	44.30
0-90	2986.92	59.70	73.90
90-180	1057.53	21.20	26.80
0-180	4044.46	80.90	100.00

PL9 / 1T5 / SD / 004



Catalog #: **PL-1T5-SD-004**  
 Lamp: **1x -1T5 @ 2900 lumens**  
 Report #: **ITL-6004-1**  
 Luminaire Efficiency: **82%**  
 Maximum Candela: **397 @ 30°**

DOWNLOAD IES FILE:  
[http://www.selux.us/fileadmin/us/interior/ies\\_file/pl9\\_ies.zip](http://www.selux.us/fileadmin/us/interior/ies_file/pl9_ies.zip)



### COEFFICIENTS OF UTILIZATION - Zonal cavity method

RC	80				70				50				30				10				0			
	RW	70	50	30	10	70	50	30	10	50	30	10	50	30	10	50	30	10	50	30	10	0		
1	80	75	70	66	76	71	67	63	64	60	57	57	54	52	51	49	47	43						
2	72	64	57	52	67	60	54	49	54	49	45	48	44	41	43	40	37	34						
3	65	55	48	42	61	52	45	40	47	41	37	42	37	33	37	33	30	27						
4	59	48	40	35	55	46	39	33	41	35	30	36	32	28	32	28	25	23						
5	54	43	35	29	50	40	33	28	36	30	26	32	27	24	29	25	21	19						
6	49	38	30	25	46	36	29	24	33	27	22	29	24	20	26	22	19	16						
7	46	34	27	22	43	33	26	21	29	24	19	26	21	18	24	19	16	14						
8	42	31	24	19	40	30	23	18	27	21	17	24	19	16	22	18	14	13						
9	39	28	22	17	37	27	21	16	25	19	15	22	17	14	20	16	13	11						
10	37	26	20	15	35	25	19	15	23	17	14	20	16	13	18	15	12	10						

Effective Floor Cavity Reflectance 0.20

CANDELA DISTRIBUTION					
	0	30	45	60	90
0	393	393	393	393	394
5	391	390	391	393	394
15	375	380	384	390	396
25	345	359	372	384	397
35	300	328	352	375	397
45	246	289	328	362	394
55	186	244	296	342	385
65	124	205	267	322	369
75	64	165	236	297	348
85	17	129	203	267	324
90	2	121	194	257	311

ZONAL LUMEN SUMMARY			
ZONE	LUMENS	%LAMP	%FIXT.
0-30	316.14	10.90	13.50
0-40	534.05	18.40	22.80
0-60	1040.3	35.90	42.30
0-90	1732.41	59.70	73.90
90-180	613.37	21.20	26.10
0-180	2345.78	80.90	100.00

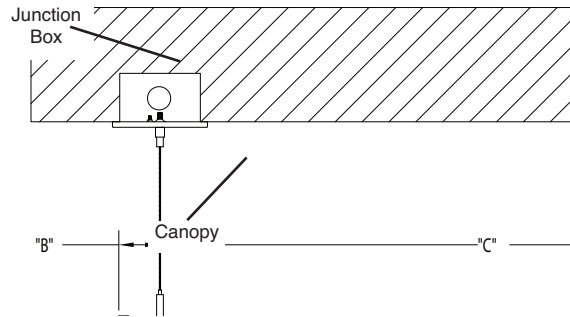


## Mounting Options

### Cable Suspensions

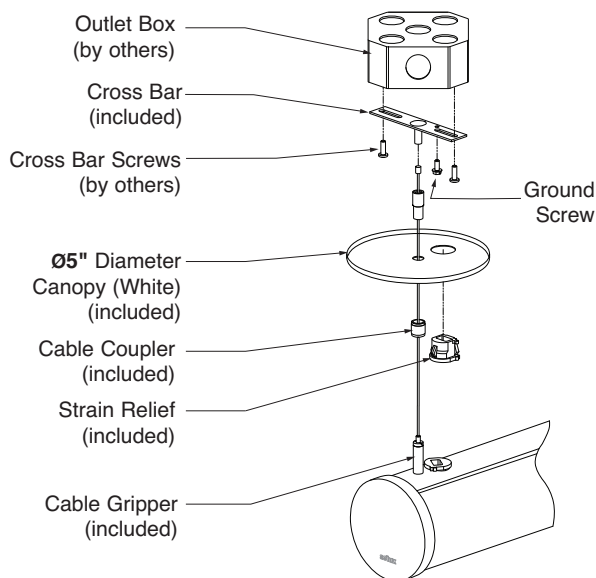
Ordering Code: **C**

48" max. suspension from ceiling to top of luminaire (field adjustable). Other lengths available, consult factory.



#### Cable Suspensions: Mounting Detail (Feed Locations)

18-5 Straight Feed Cord (Not Shown), Clear



#### Cable Suspensions: Mounting Detail (Non-Feed Locations)

1/4-20 Threaded rod  
Projected from ceiling  
3/4" max. to 5/8" min.  
(Supplied and installed by others)

Ø1/4" x 2" Diameter  
Canopy (White)  
(included)

Cable Coupler  
(included)

Cable Gripper  
(included)

