

MR11 Downlights

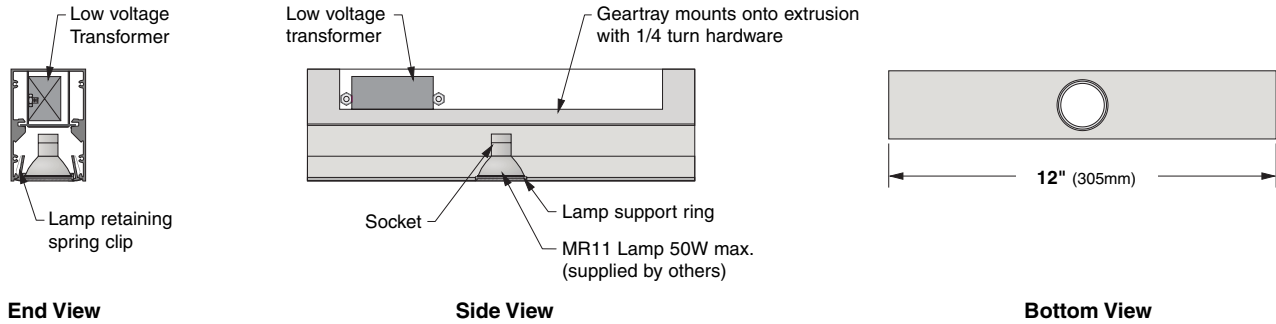


MR11 Fixed Downlight

Ordering Code: **MR11**

Supplied with clear glass lens. Available for all M60 extruded forms. Fixture will accept up to 3 accessories. 50W MR11 Lamps (by others) must be suitable for use with open fixtures.

12" MR11 Fixed Downlight



SELUX Corp. © 2006

TEL: (845) 691-7723

FAX: (845) 691-6749

www.selux.com/usa

M1A-01 (v5.0)



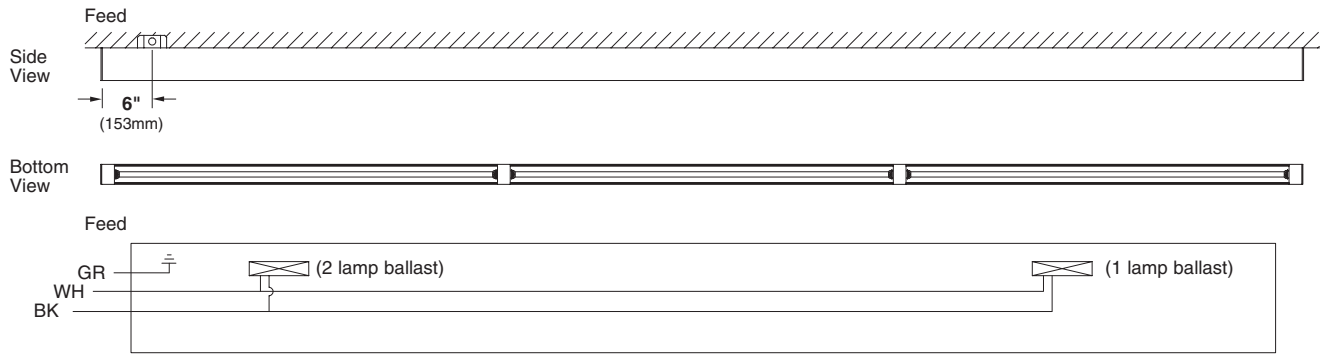
*Union Made Affiliated
with IBEW Local 363*

In a continuing effort to offer the best product possible, we reserve the right to change, without notice, specifications or materials that in our opinion will not alter the function of the product. Specification sheets found at www.selux.com/usa are the most recent versions and supersede all other printed or electronic versions.

M60 Wiring Options

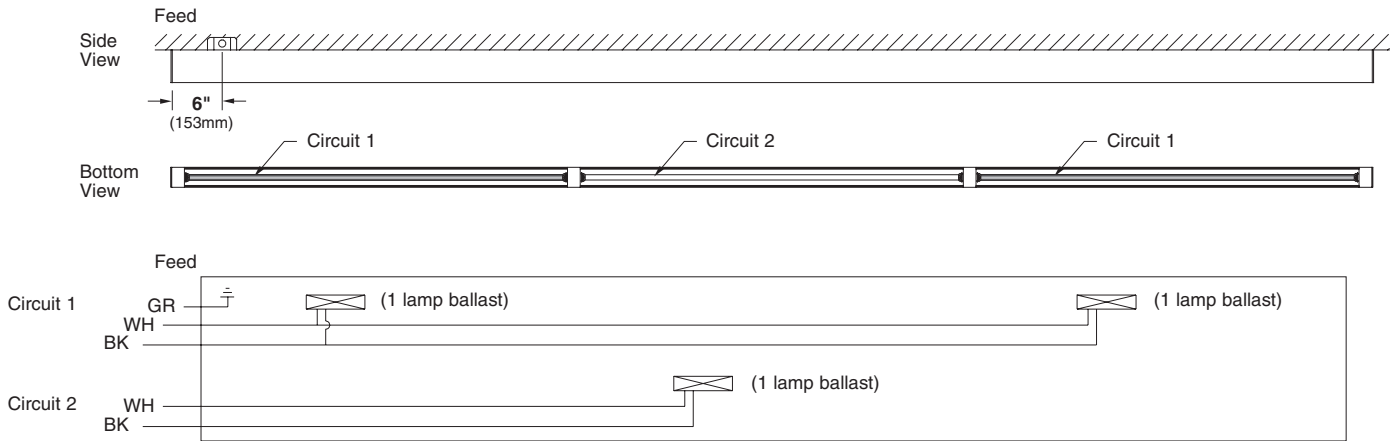


Standard Wiring (1 lamp fixtures)

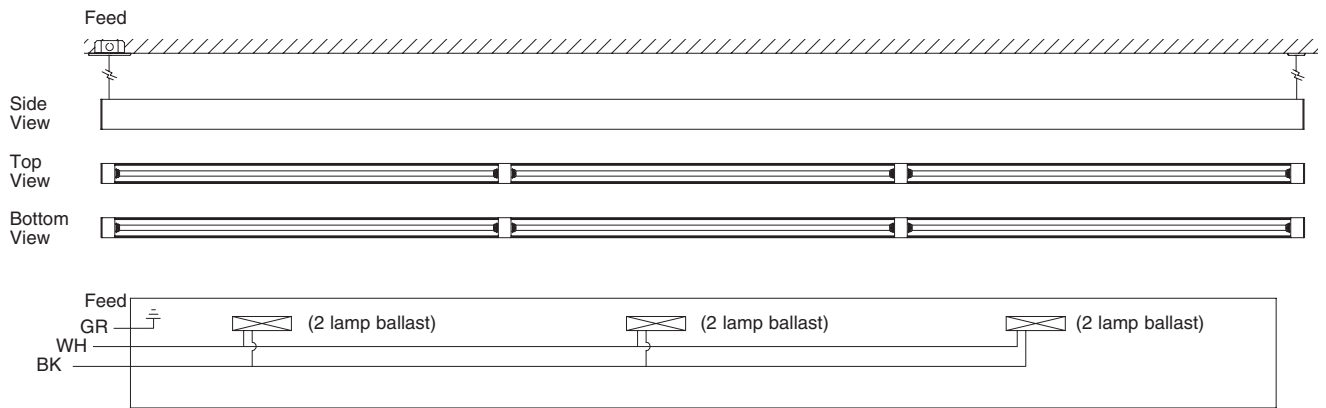


Tandem Wiring (Staggered Circuits / 1 lamp fixtures)

Ordering Code: TA



Standard Wiring (2 lamp direct/indirect fixtures)



SELUX Corp. © 2006
 TEL: (845) 691-7723
 FAX: (845) 691-6749
www.selux.com/USA
 M1A-01 (v5.0)

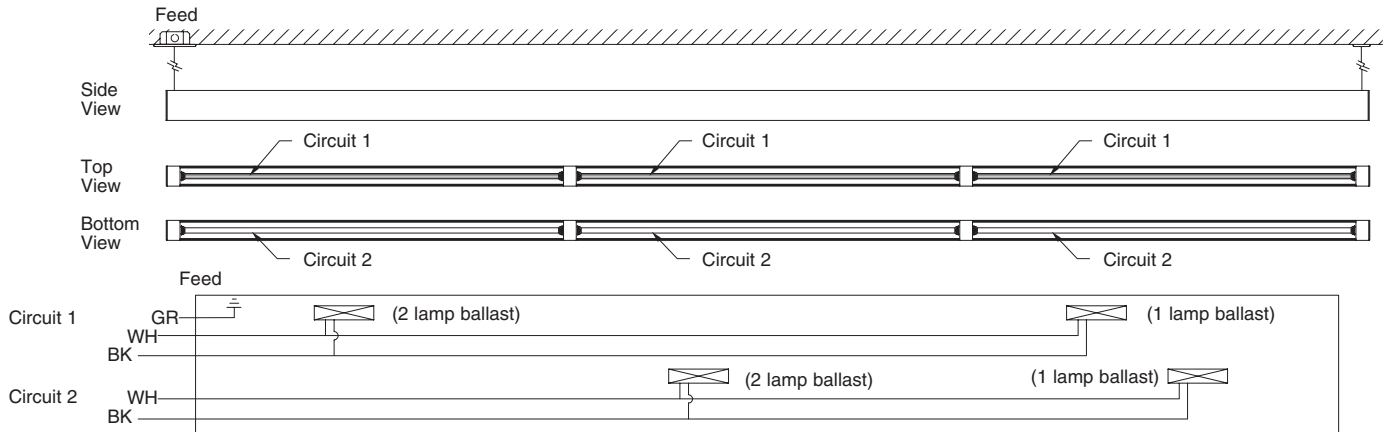


Union Made Affiliated
 with IBEW Local 363

In a continuing effort to offer the best product possible, we reserve the right to change, without notice, specifications or materials that in our opinion will not alter the function of the product. Specification sheets found at www.selux.com/usa are the most recent versions and supercede all other printed or electronic versions.

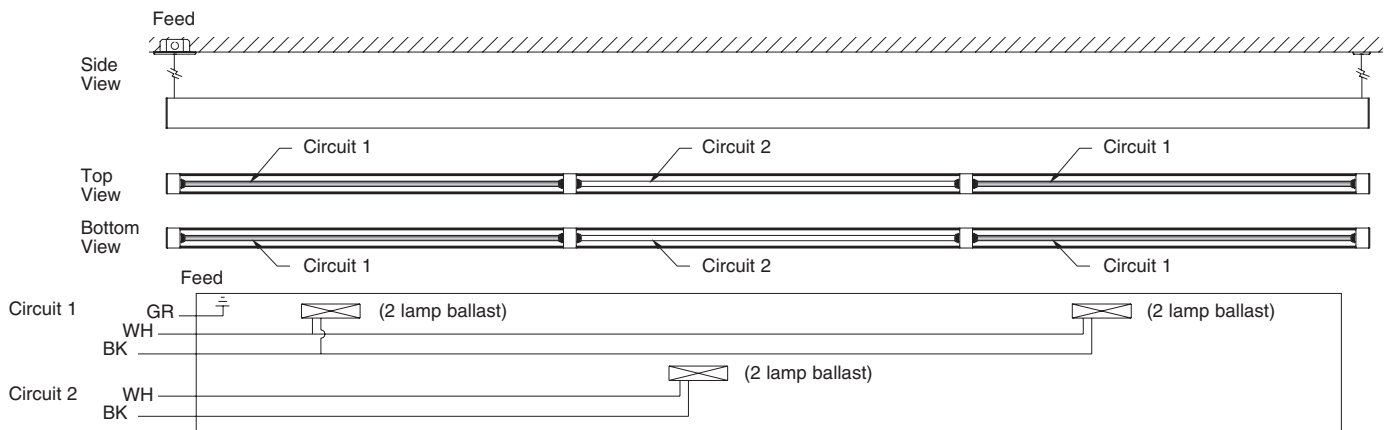
Tandem Wiring (Parallel Circuits - 2 lamp direct/indirect fixtures)

Ordering Code: **TC**



Tandem Wiring (Staggered Circuits - 2 lamp direct/indirect fixtures)

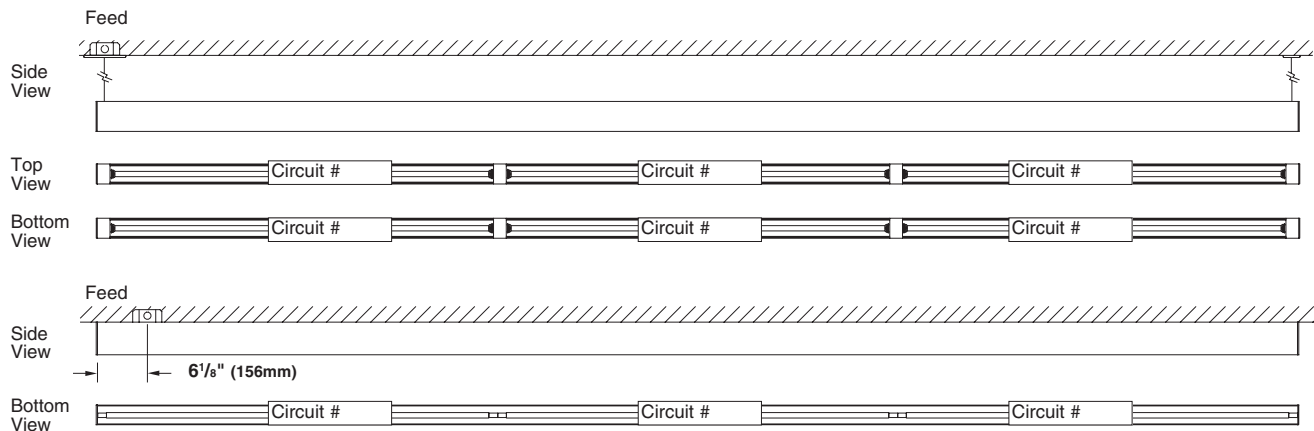
Ordering Code: **TA**



Tandem Wiring (Job Specific Circuitry / 1 or 2 lamp fixtures)

Ordering Code: **TM**

Note: Specify circuits for each lamp.

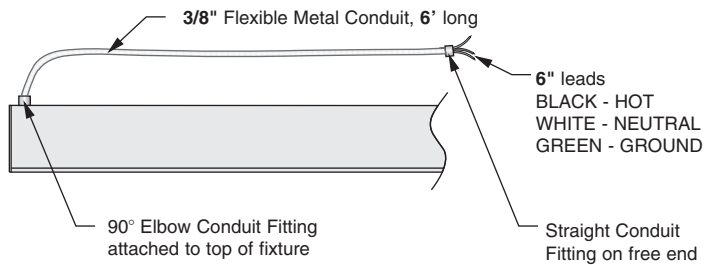


M-Series Flex Whips



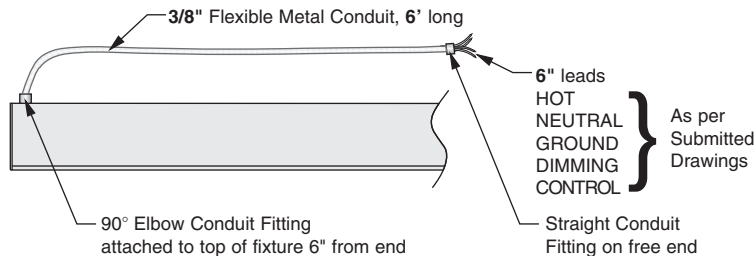
M60 Flex Whip (Standard Wiring) available for Recessed fixtures

Ordering Code: **FW**



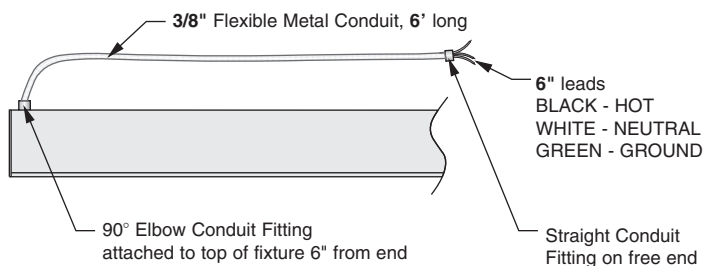
M60 Flex Whip (Dimming Wiring) available for Recessed fixtures

Ordering Code: **FW1**



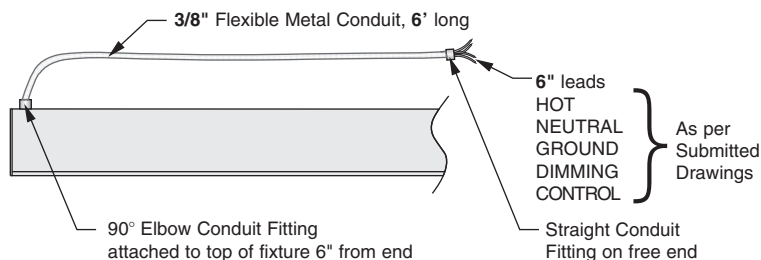
M100 Flex Whip (Standard Wiring) available for Tannenbaum, Super-Recessed, Recessed and Semi-Recessed fixtures

Ordering Code: **FW**





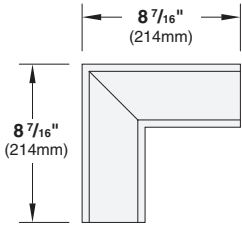
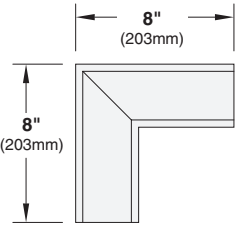
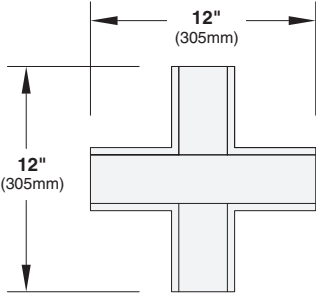
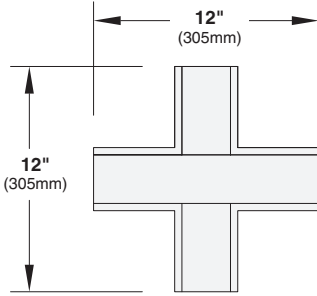
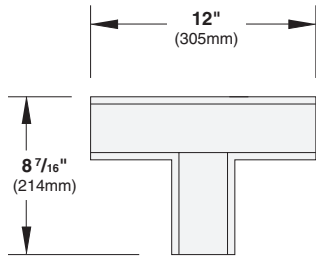
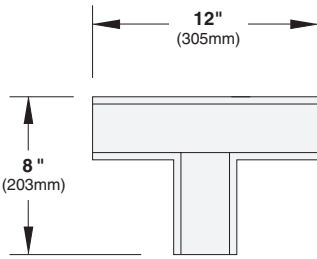
M100 Flex Whip (Dimming Wiring) available for Tannenbaum, Super Recessed, Recessed and Semi-Recessed fixtures

Ordering Code: **FW1**



M60 Crosses, Tees and Corners



| | <p>For use with Recessed extrusion forms (Flanged extrusions for recessed applications)</p>  | <p>For use with Multi-Mount extrusion forms (Flangeless* extrusions for surface, suspended, wall, and recessed applications) *Includes Spackle Flange fixtures</p>  |
|---|---|--|
| <p>90° Elbow Ordering Code: L90</p> <p>Extruded aluminum elbows available for all M60 extruded forms. Dimensions shown as per specified fixture.</p> <p>Supplied with snap in aluminum covers to match fixture color.</p> | <p>M6R1, M6R2</p>  | <p>M60, M6DI, M6S</p>  |
| <p>90° Cross Ordering Code: X90</p> <p>Extruded aluminum crosses available for all M60 extruded forms.</p> <p>Supplied with snap in aluminum covers to match fixture color.</p> | <p>M6R1, M6R2</p>  | <p>M60, M6DI, M6S</p>  |
| <p>90° Tee Ordering Code: T90</p> <p>Extruded aluminum tees available for all M60 extruded forms. Dimensions shown as per specified fixture.</p> <p>Supplied with snap in aluminum covers to match fixture color.</p> | <p>M6R1, M6R2</p>  | <p>M60, M6DI, M6S</p>  |

Custom Connections

Custom Elbow Cat. #: **LC** (specify angle and supply configuration details)

Consult factory for custom Tees, Crosses or other custom configurations.

Note: Lit corners available, consult factory for details.

SELUX Corp. © 2006

TEL: (845) 691-7723

FAX: (845) 691-6749

www.selux.com/usa
M6_CONX (02/06)



Union Made Affiliated
with **IBEW Local 363**

In a continuing effort to offer the best product possible, we reserve the right to change, without notice, specifications or materials that in our opinion will not alter the function of the product. Specification sheets found at www.selux.com/usa are the most recent versions and supercede all other printed or electronic versions.

M60 Illuminated Corners

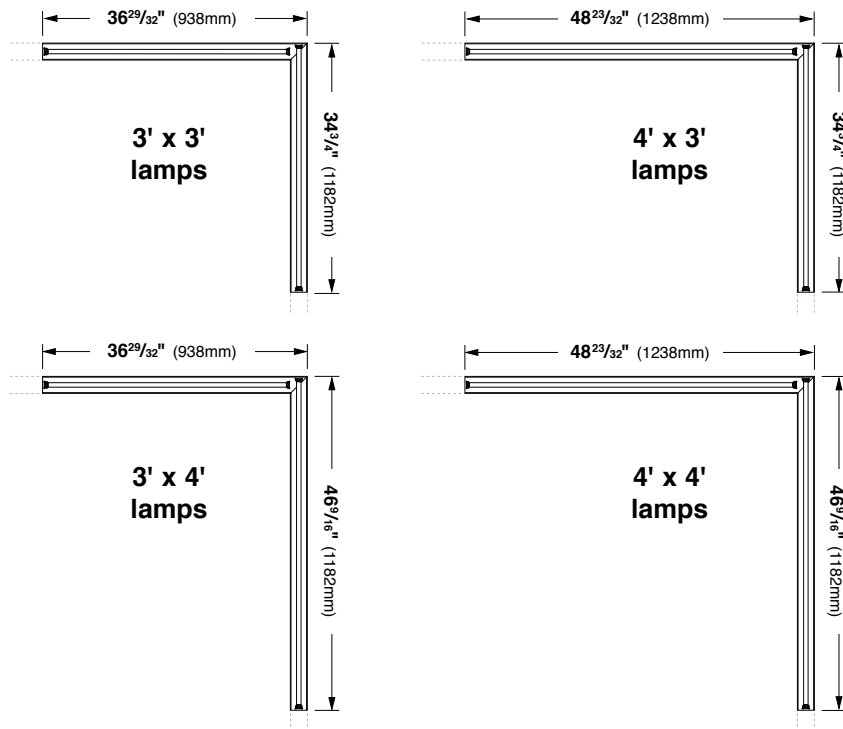
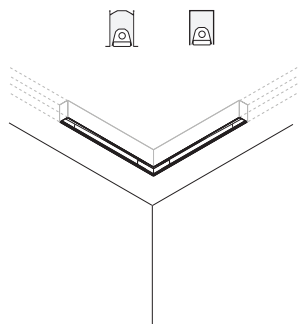


M60 Horizontal 90° Elbow (Recessed Continuous Flange Mounting)

Ordering Code: **IL90**

Extruded aluminum elbows available for select M60 3' and 4' extruded forms. Dimensions shown as per specified fixture. Supplied with snap in lenses to match fixture shielding.

*All lengths nominal. No end-caps included. Bottom views shown.

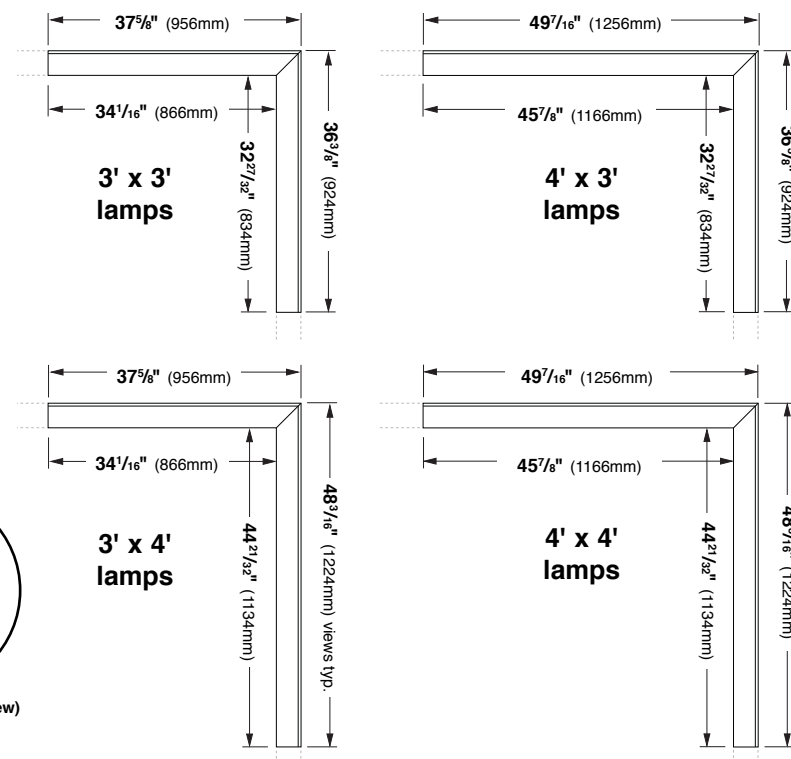
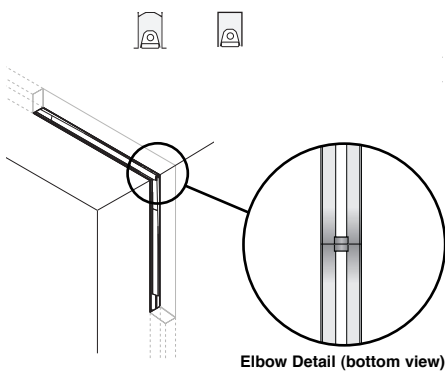


M60 Vertical 90° Inner Corner (Recessed Continuous Flange Mounting)

Ordering Code: **V90**

Wall-to-ceiling extruded aluminum elbows available for select M60 3' and 4' extruded forms. Dimensions shown as per specified fixture. Supplied with snap in lenses to match fixture shielding.

*All lengths nominal. No endcaps included. Side views shown.



For non-staggered runs only.

M60 Illuminated Corners

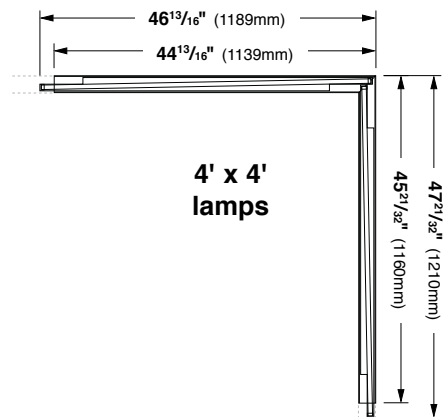
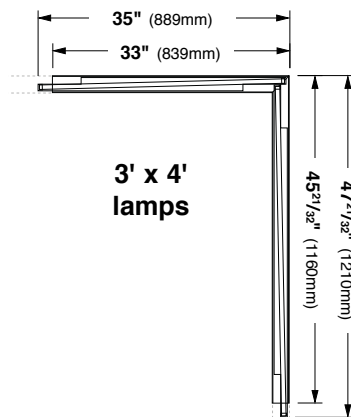
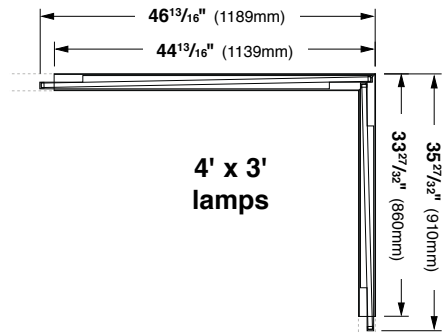
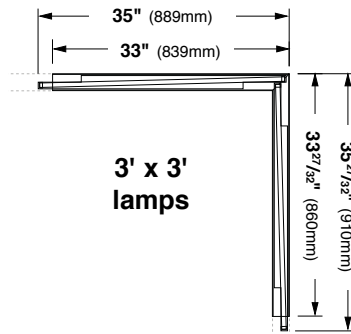
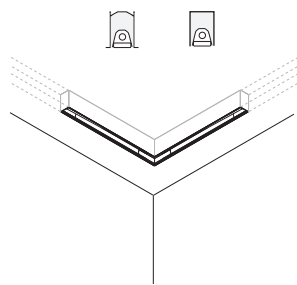


M60 Horizontal 90° Elbow (Recessed Continuous Flange Mounting, Staggered Lamps)

Ordering Code: **ILS90**

Extruded aluminum elbows available for select M60 3' and 4' extruded forms. Dimensions shown as per specified fixture. Supplied with snap in lenses to match fixture shielding.

*All lengths nominal and will vary based on the stagger gap/overlap. No endcaps included. Bottom views shown.

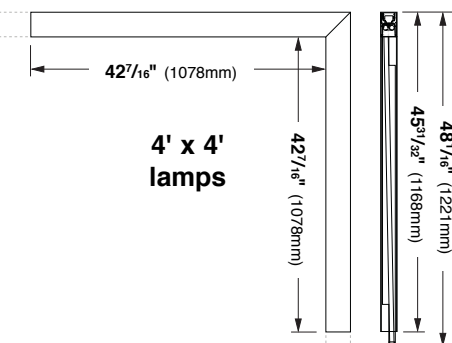
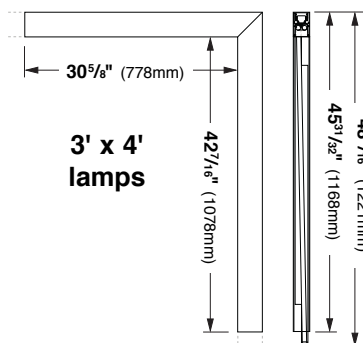
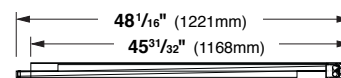
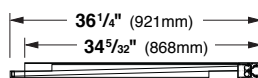
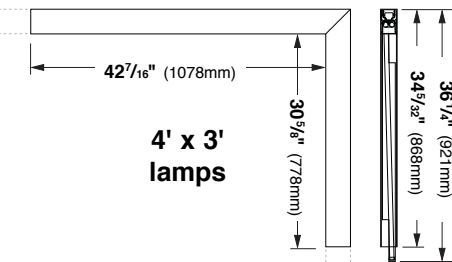
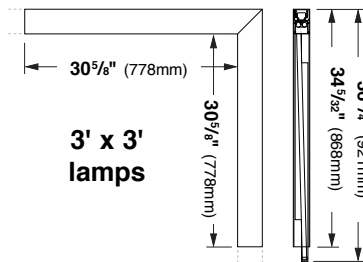
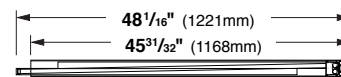
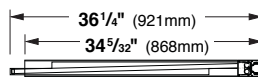
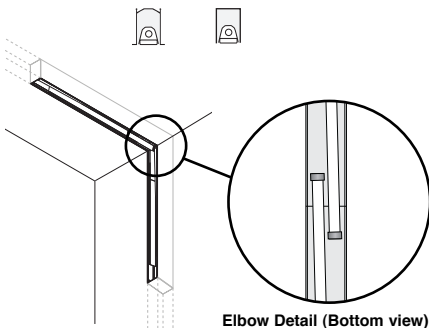


M60 Vertical 90° Inner Corner (Recessed Continuous Flange Mounting, Staggered Lamps)

Ordering Code: **VS90**

Extruded aluminum elbows available for select M60 3' and 4' extruded forms. Dimensions shown as per specified fixture. Supplied with snap in lenses to match fixture shielding.

*All lengths nominal and will vary based on the stagger gap/overlap. No endcaps included. Side and interior views shown.



For staggered runs only, eliminates visible socket shadows at corners.