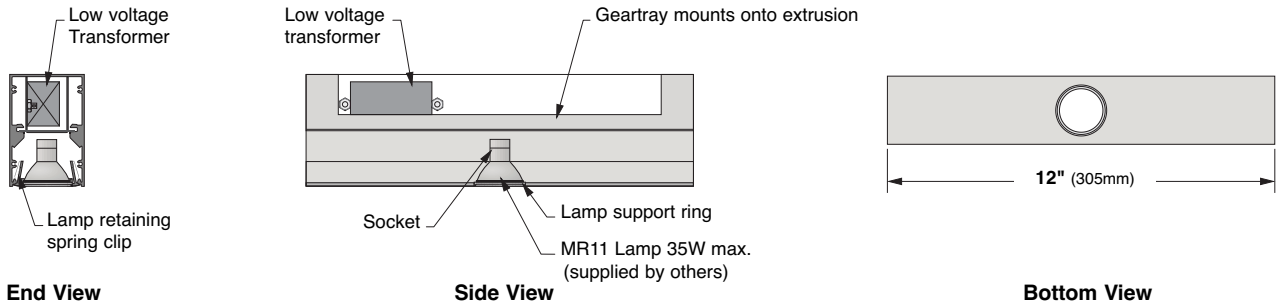


MR11 Fixed Downlight

Ordering Code: **MR11**

Supplied with clear glass lens. Available for all M60 extruded forms. Fixture will accept up to 3 accessories. 35W MR11 Lamps (by others) must be suitable for use with open fixtures.

12" MR11 Fixed Downlight

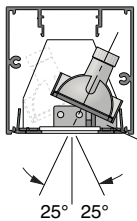


MR16 25° Adjustable Downlight

Available for all M100 extruded forms. 50W MR16 Lamp (by others) suitable for use with open fixtures. Fixture will accept up to three lens accessories. Available with additional optional Flush Frosted Glass Lens. Square Lamp is field rotatable 0° or 90° horizontally (seated with lamp aimed parallel or perpendicular to fixture). Round Lamp is field adjustable within the full 360° (lamp can be seated to aim at any angle from parallel to perpendicular to fixture). All MR16 downlights tiltable 25° vertically. When lamp is set to aim parallel to fixture, additional 5° vertical rotation is available. Angle adjustment is made with MR16 Module installed in fixture by inserting tool through opening in faceplate and aiming. Pivot point of lamp optimized for higher light output. All 6" and 12" with Magnetic Transformers not available for CCEA Applications.

MR16 Side View

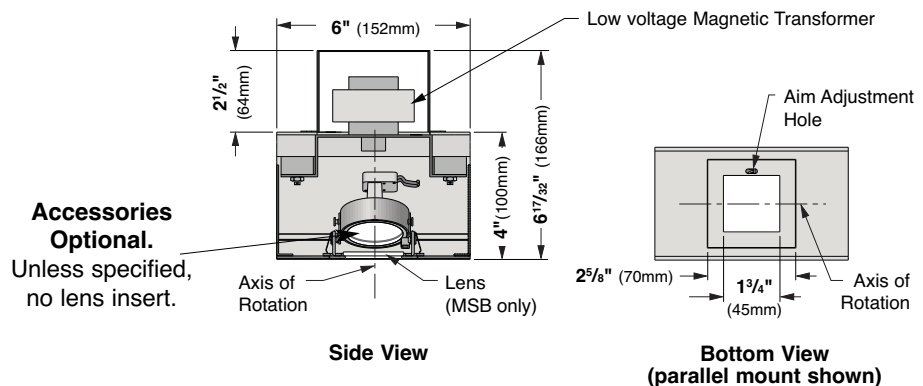
Same for all MR16 downlights



6" MR16 Adjustable Downlight (Square Lens)

Ordering Code: **MSS** (without lens); **MSB** (with flush frosted glass lens)

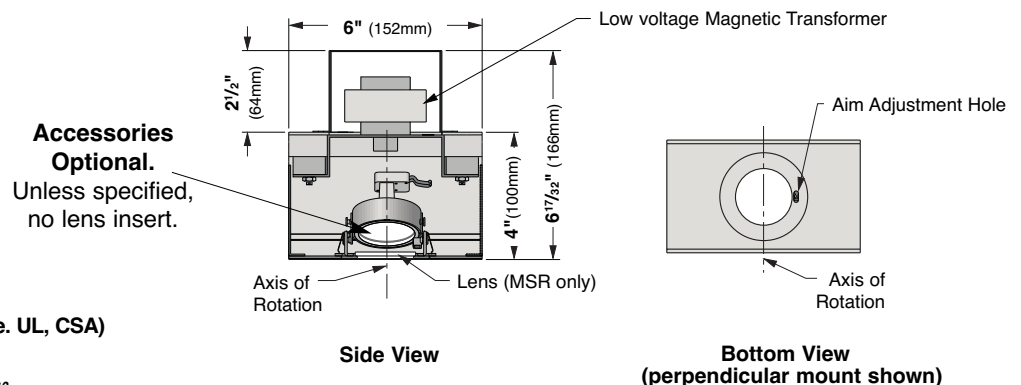
Designate quantity by: **(Qty.) x (Ordering code)**; i.e. **5xMSB**



6" MR16 Adjustable Downlight (Round Lens)

Ordering Code: **MSO** (without lens); **MSR** (with flush frosted glass lens)

Designate quantity by: **(Qty.) x (Ordering code)**; i.e. **5xMSR**



Downlights

12" MR16 Adjustable Downlight (Square Lens)

Ordering Code: **MES** (w/ Electronic Transformer, no lens)

MEB (w/ Elec. Transformer, flush frosted glass lens)

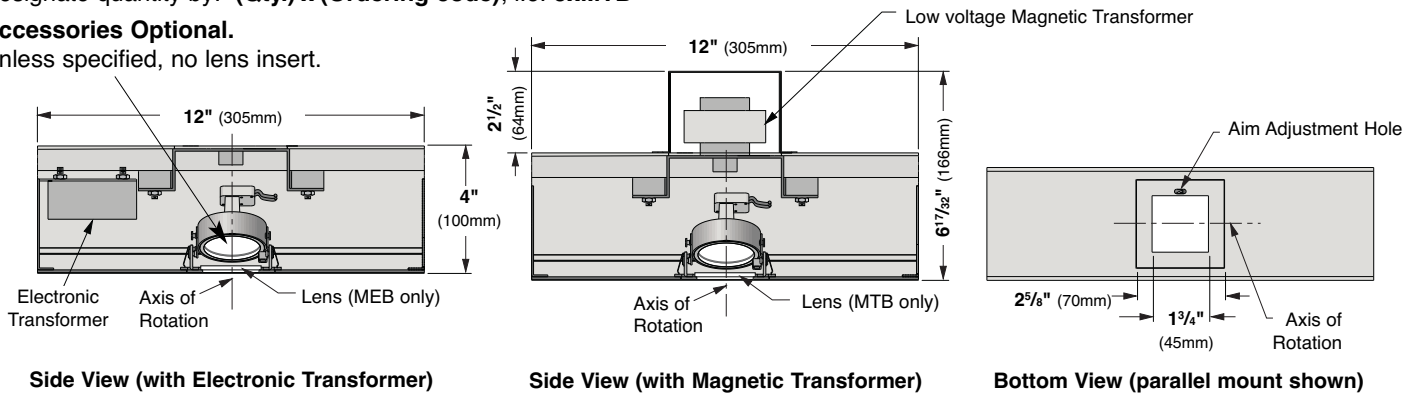
Designate quantity by: **(Qty.) x (Ordering code)**; i.e. **5xMTB**

MTS (w/ Magnetic Transformer, no lens);

MTB (w/ Mag. Transformer, flush frosted glass lens)

Accessories Optional.

Unless specified, no lens insert.



12" MR16 Adjustable Downlight (Round Lens)

Ordering Code: **MEO** (w/ Electronic Transformer, no lens)

MER (w/ Elec. Transformer, flush frosted glass lens)

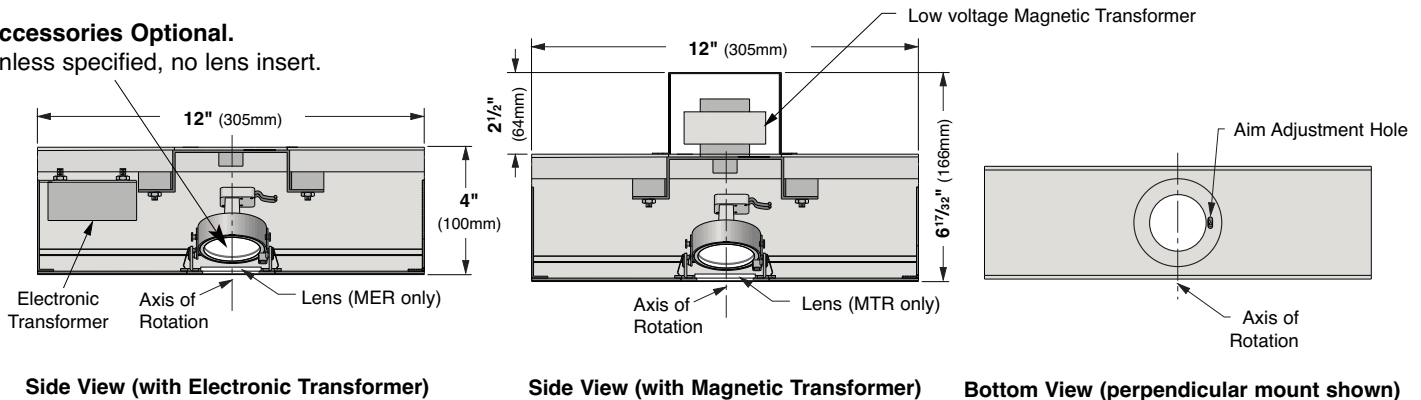
Designate quantity by: **(Qty.) x (Ordering code)**; i.e. **5xMTO**

MTO (w/ Magnetic Transformer, no lens)

MTR (w/ Mag. Transformer, flush frosted glass lens)

Accessories Optional.

Unless specified, no lens insert.



MR16 Downlight Accessories

Available for all M100 extruded forms. Fixture will accept up to three lens accessories. Add desired ordering code to option blank of ordering matrix of desired spec sheet (ie. **MSRF** = 6" MR16 with flush frosted glass lens and frosted glass lens).

Honeycomb Filter (Black Finish)

Add "H" to end of MR16 Ordering Code

Frosted Lens (Clear Frosted Glass)

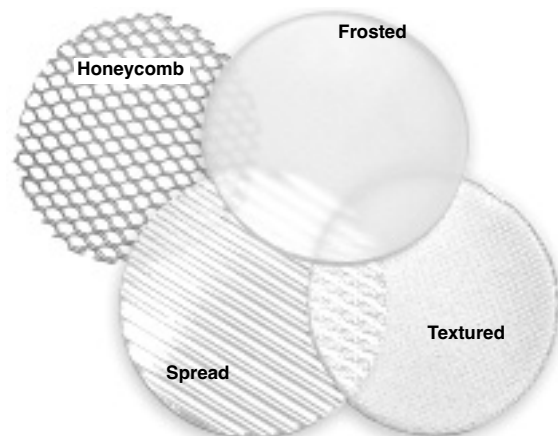
Add "F" to end of MR16 Ordering Code

Textured Lens (Clear Patterned Glass)

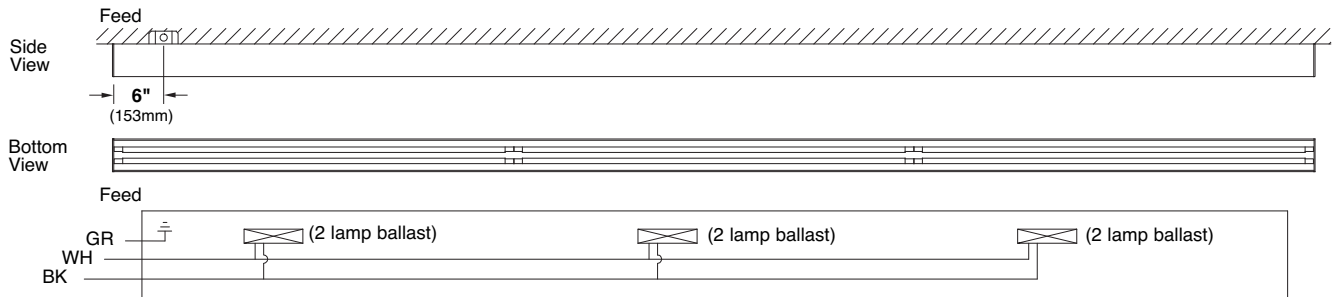
Add "T" to end of MR16 Ordering Code

Spread Lens (Clear Patterned Glass)

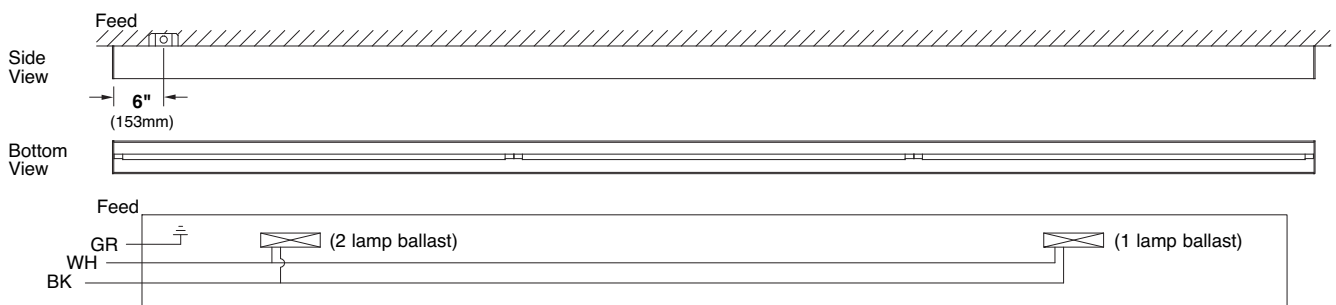
Add "S" to end of MR16 Ordering Code



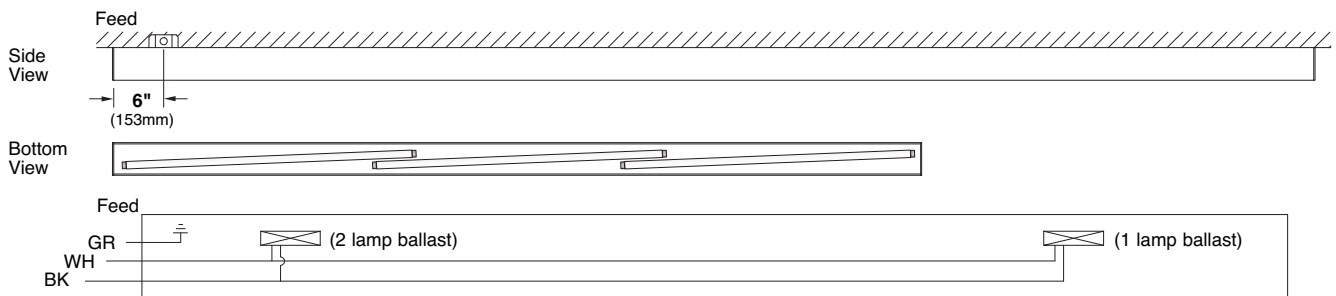
Standard Wiring (2 lamp fixtures)



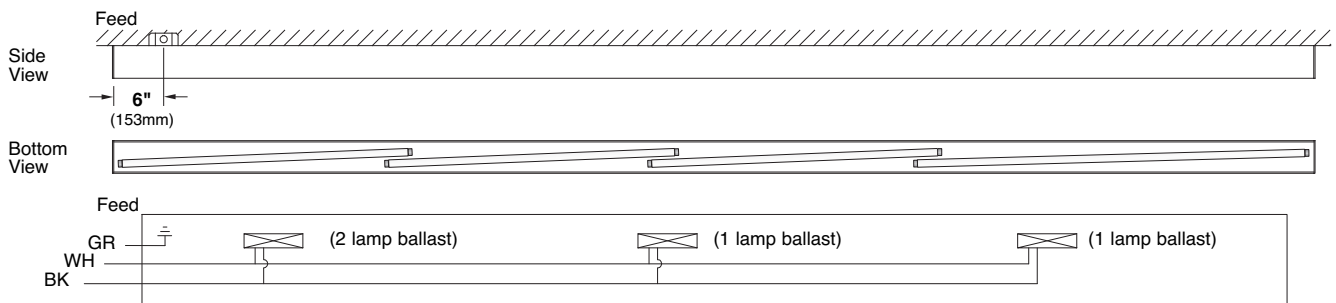
Standard Wiring (1 lamp fixtures)



Standard Wiring (8' Staggered Lamps - single lamp fixtures)



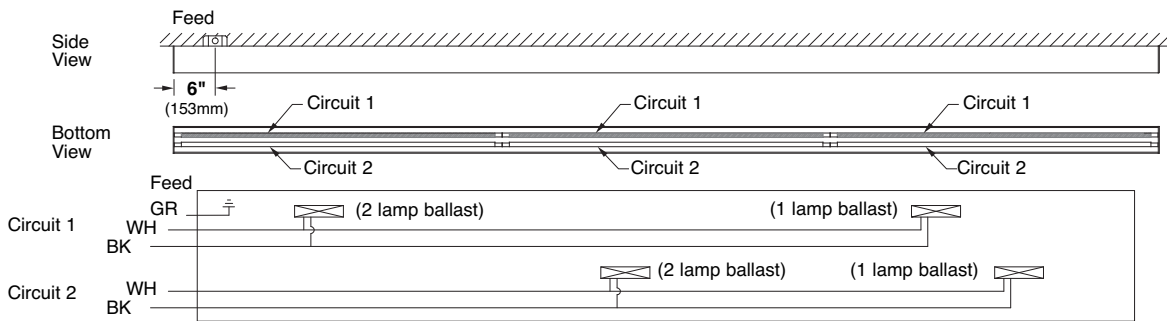
Standard Wiring (12' Staggered Lamps - single lamp fixtures)



M100 Wiring Options

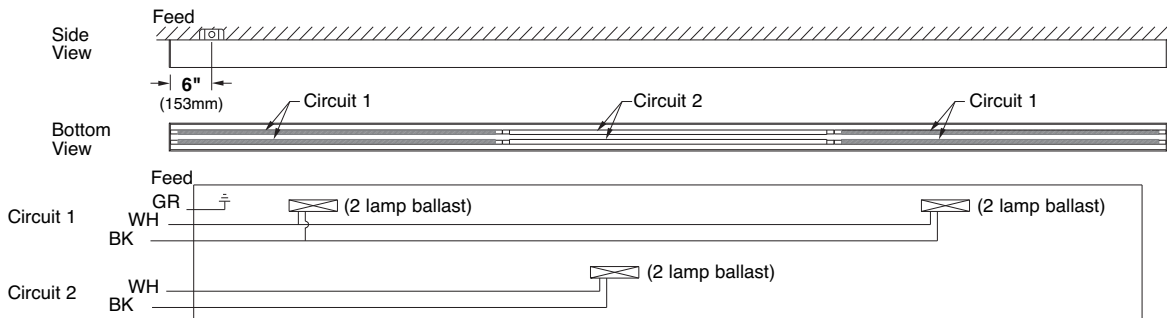
Tandem Wiring (Parallel Circuits / 2 lamp fixtures)

Ordering Code: **TC**



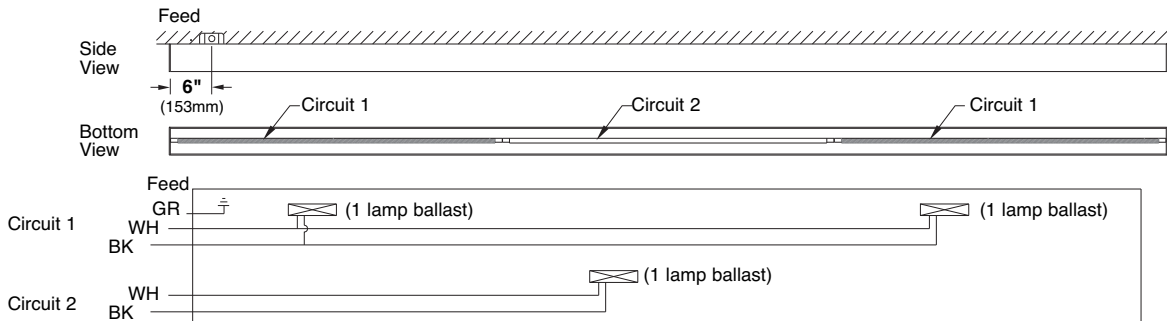
Tandem Wiring (Staggered Circuits / 2 lamp fixtures)

Ordering Code: **TA**



Tandem Wiring (Staggered Circuits / 1 lamp fixtures)

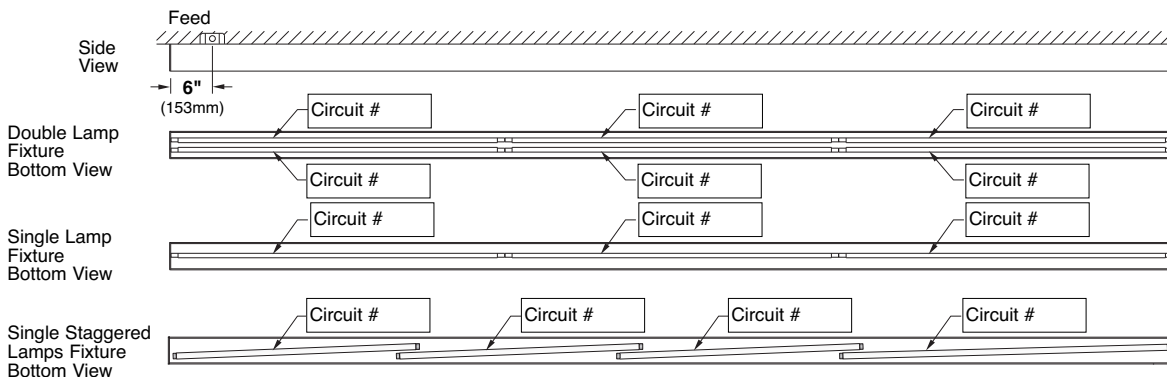
Ordering Code: **TA**



Tandem Wiring (Job Specific Circuitry / 1 or 2 lamp fixtures)

Ordering Code: **TM**

Note: Specify circuits for each lamp.

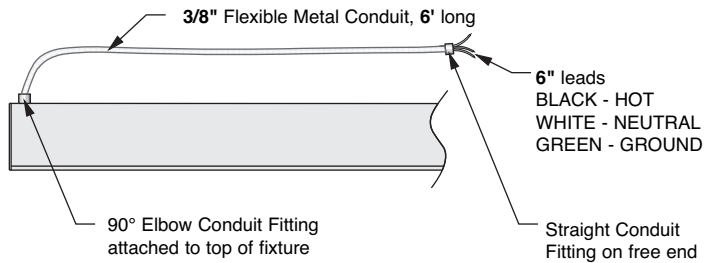


M-Series Flex Whips



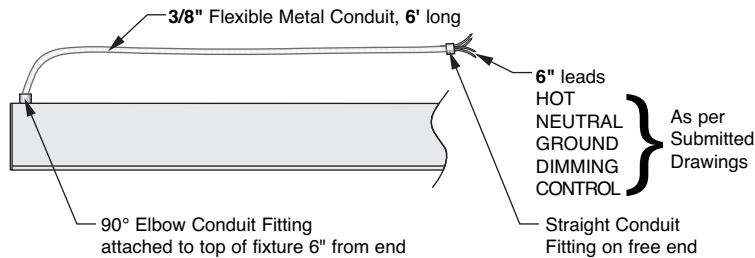
M60 Flex Whip (Standard Wiring) available for Recessed fixtures

Ordering Code: **FW**



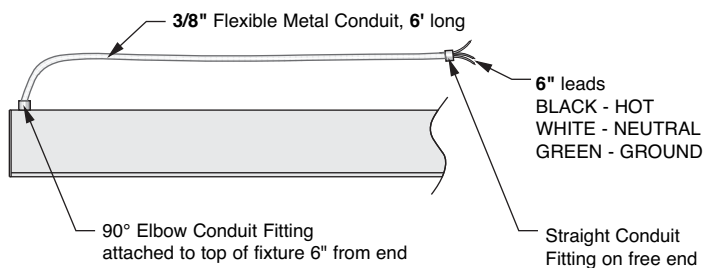
M60 Flex Whip (Dimming Wiring) available for Recessed fixtures

Ordering Code: **FW1**



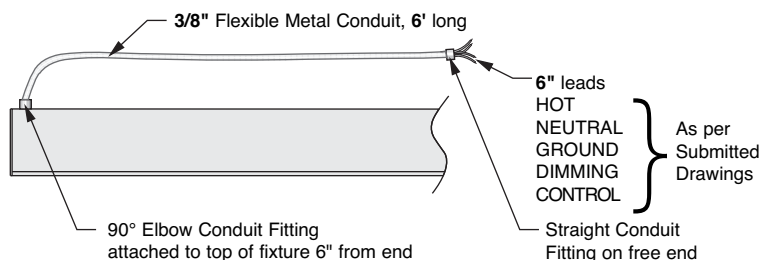
M100 Flex Whip (Standard Wiring) available for Tannenbaum, Super-Recessed, Recessed and Semi-Recessed fixtures

Ordering Code: **FW**



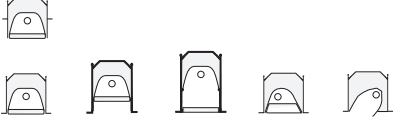

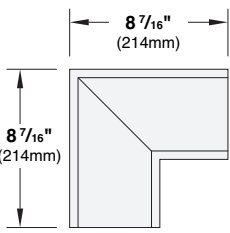
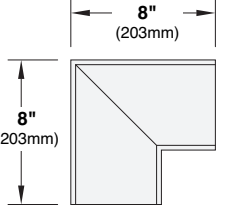
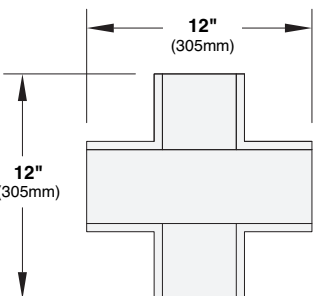
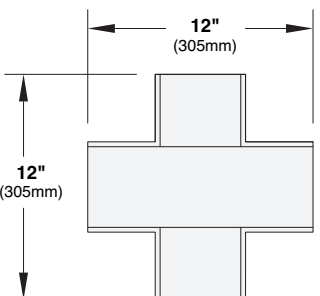
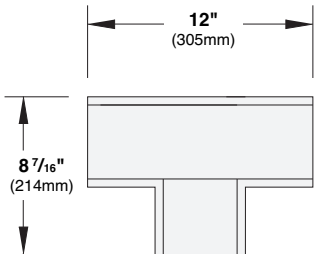
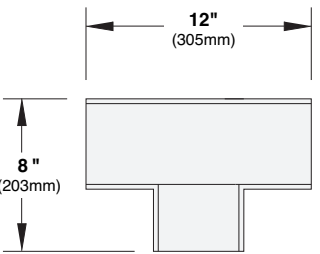
M100 Flex Whip (Dimming Wiring) available for Tannenbaum, Super Recessed, Recessed and Semi-Recessed fixtures

Ordering Code: **FW1**



M100 Non-Illuminated Horizontal Crosses, Tees and Corners



	<p>For use with Recessed extrusion forms (Flanged extrusions for semi-recessed and recessed applications)</p> 	<p>For use with Multi-Mount extrusion forms (Flangeless* extrusions for surface, suspended, wall, semi recessed and recessed applications) *Includes Spackle Flange fixtures</p> 
<p>90° Elbow Ordering Code: L90</p> <p>Extruded aluminum elbows available for all M100 extruded forms. Dimensions shown as per specified fixture. Supplied with snap in aluminum covers to match fixture color.</p> <p><i>*M100 Illuminated horizontal and vertical corners available, see p.107-8</i></p>	<p>M1S1, M1S2, M1R1, M1R2, M1N1, M1N2, M1B1, M1B2, M1RA1, M1RA2, M1W1, M1W2</p> 	<p>M1S0, M10, M1N0, M1B0, M1A, M11, M1W0</p> 
<p>90° Cross Ordering Code: X90</p> <p>Extruded aluminum crosses available for all M100 extruded forms. Supplied with snap in aluminum covers to match fixture color.</p> <p><i>*M100 Illuminated horizontal and vertical corners available, see p.107-8</i></p>	<p>M1S1, M1S2, M1R1, M1R2, M1N1, M1N2, M1B1, M1B2, M1RA1, M1RA2, M1W1, M1W2</p> 	<p>M1S0, M10, M1N0, M1B0, M1A, M11, M1W0</p> 
<p>90° Tee Ordering Code: T90</p> <p>Extruded aluminum tees available for all M100 extruded forms. Dimensions shown as per specified fixture. Supplied with snap in aluminum covers to match fixture color.</p> <p><i>*M100 Illuminated horizontal and vertical corners available, see p.107-8</i></p>	<p>M1S1, M1S2, M1R1, M1R2, M1N1, M1N2, M1B1, M1B2, M1RA1, M1RA2, M1W1, M1W2</p> 	<p>M1S0, M10, M1N0, M1B0, M1A, M11, M1W0</p> 

Custom Connections

Custom Elbow Cat. #: **LC** (specify angle and supply configuration details)

Consult factory for custom Tees, Crosses or other custom configurations.

M100 Illuminated Corners

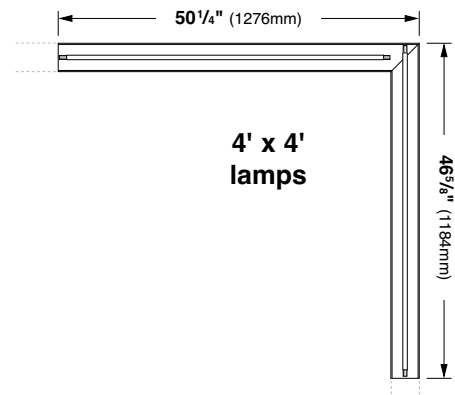
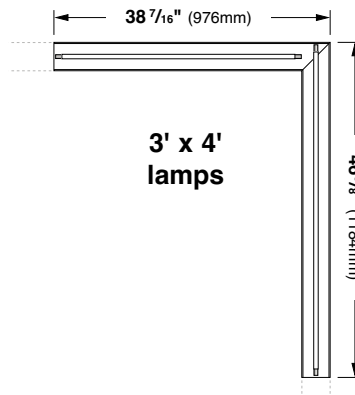
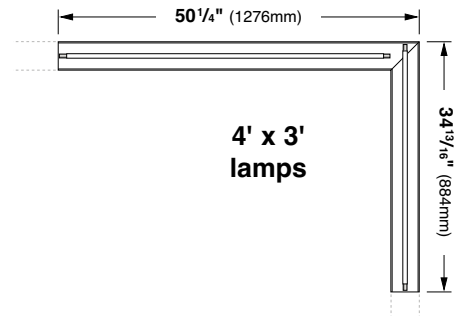
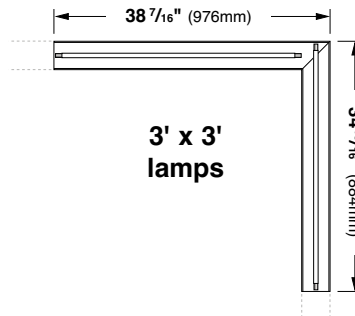
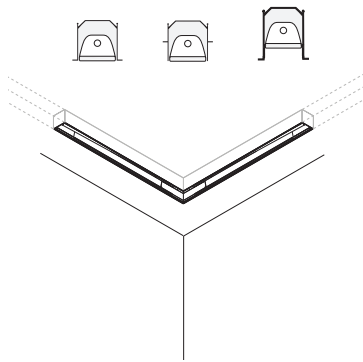


M100 Horizontal 90° Elbow (Recessed Continuous Flange Mounting)

Ordering Code: **IL90**

Extruded aluminum elbows available for select M100 3' and 4' extruded forms. Dimensions shown as per specified fixture. Supplied with snap in lenses to match fixture shielding.

*All lengths nominal. No end-caps included. Bottom views shown.

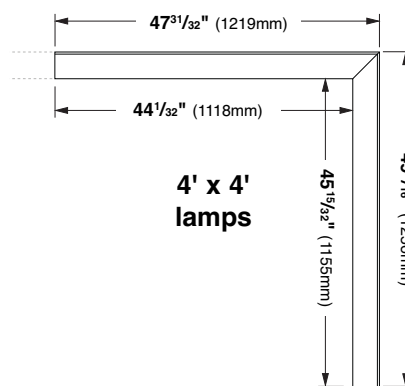
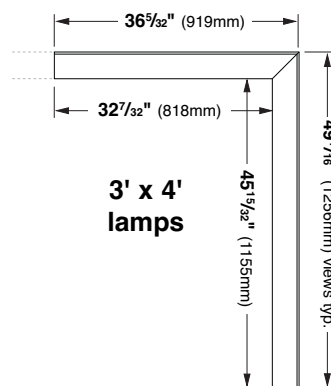
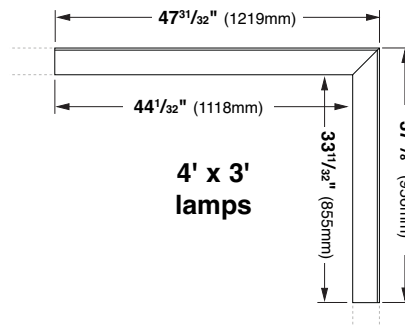
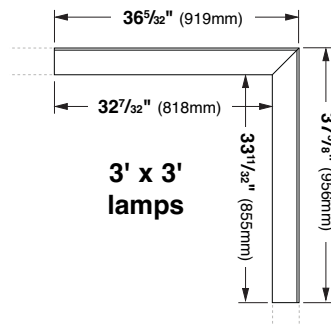
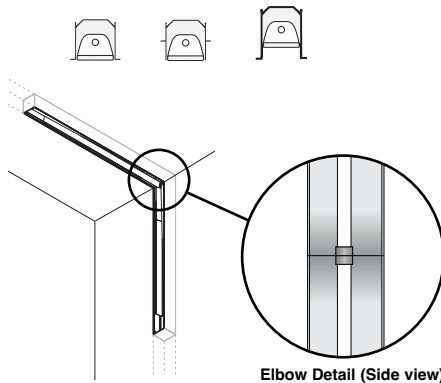


M100 Vertical 90° Inner Corner (Recessed Continuous Flange Mounting)

Ordering Code: **V90**

Wall-to-ceiling extruded aluminum elbows available for select M100 3' and 4' extruded forms. Dimensions shown as per specified fixture. Supplied with snap in lenses to match fixture shielding.

*All lengths nominal. No endcaps included. Side views shown.



For non-staggered runs only.

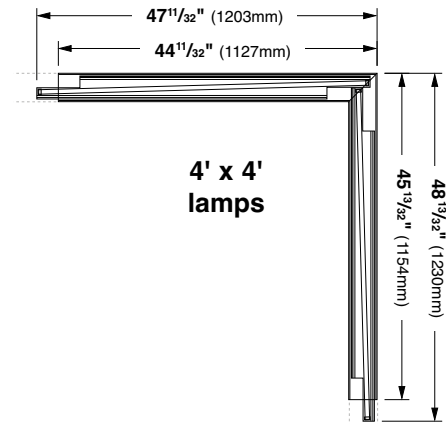
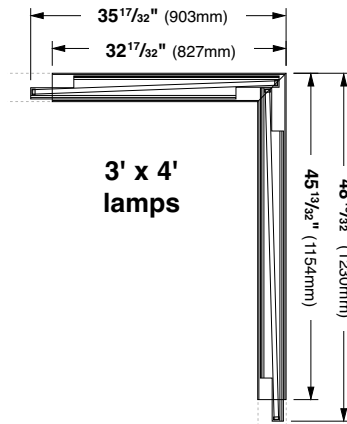
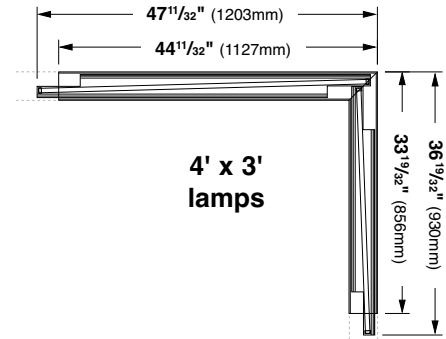
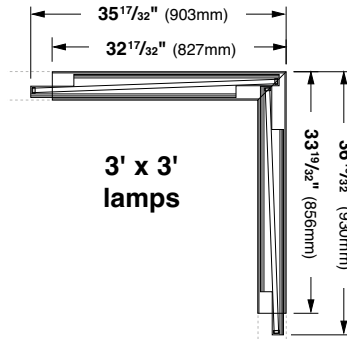
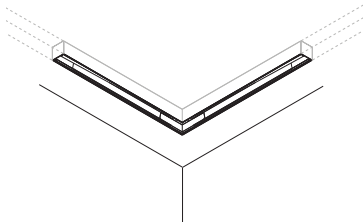
M100 Illuminated Corners

M100 Horizontal 90° Elbow (Recessed Continuous Flange Mounting, Staggered Lamps)

Ordering Code: **ILS90**

Extruded aluminum elbows available for select M100 3' and 4' extruded forms. Dimensions shown as per specified fixture. Supplied with snap in lenses to match fixture shielding.

*All lengths nominal and will vary based on the stagger gap/overlap. No endcaps included. Bottom views shown.

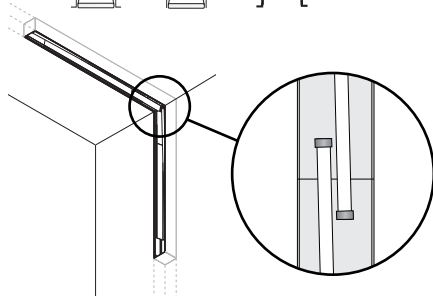


M100 Vertical 90° Inner Corner (Recessed Continuous Flange Mounting, Staggered Lamps)

Ordering Code: **VS90**

Extruded aluminum elbows available for select M100 3' and 4' extruded forms. Dimensions shown as per specified fixture. Supplied with snap in lenses to match fixture shielding.

*All lengths nominal staggered. No endcaps included. All Dimensions vary with Gap/Overlap. Side/interior views shown.



For staggered runs only, eliminates visible socket shadows at corners.

